

THIS DOCUMENT CONTAINS PROPRIETARY DATA OF POLARIS INDUSTRIAL ENTERPRISES, INC. NO DISCLOSURE, REPRODUCTION, OR USE OF ANY PART THERE OF MAY BE MADE EXCEPT BY WRITTEN PERMISSION.

**SPECIFICATIONS**

ELECTRICAL

RESISTANCE VALUES \_\_\_\_\_ 500, 1K, 2K, 5K, 10K, 20K, 50K, 100K  
 RESISTANCE TOLERANCE \_\_\_\_\_ ±10%  
 LINEARITY(INDEPENDENT) \_\_\_\_\_ ±1%  
 ELECTRICAL ANGLE \_\_\_\_\_ 320°±5°  
 END RESISTANCE \_\_\_\_\_ 0.2% MAX.  
 RESOLUTION \_\_\_\_\_ ESSENTIALLY INFINITE  
 INSULATION RESISTANCE \_\_\_\_\_ 1000MEG OHMS @ 500 VDC  
 DIELECTRIC STRENGTH \_\_\_\_\_ 500 VAC  
 POWER RATING \_\_\_\_\_ 1 WATT  
 CONTACT RESIS. VARIATION \_\_\_\_\_ BELOW 2% C.R.V.  
 OUTPUT SMOOTHNESS \_\_\_\_\_ LESS THAN 0.1%

MECHANICAL

NO. OF TURNS \_\_\_\_\_ 1  
 MECHANICAL ROTATION \_\_\_\_\_ 320±5°  
 ROTATIONAL LIFE \_\_\_\_\_ 10,000,000 TURNS  
 STOP STRENGTH \_\_\_\_\_ 84 OZ.IN.MIN.  
 TORQUE \_\_\_\_\_ BELOW 0.8 OZ.IN.  
 WEIGHT \_\_\_\_\_ APPROX 0.7 OZ.

ENVIRONMENTAL

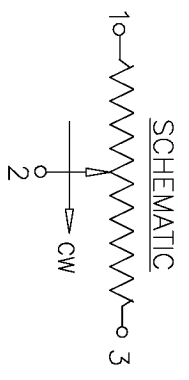
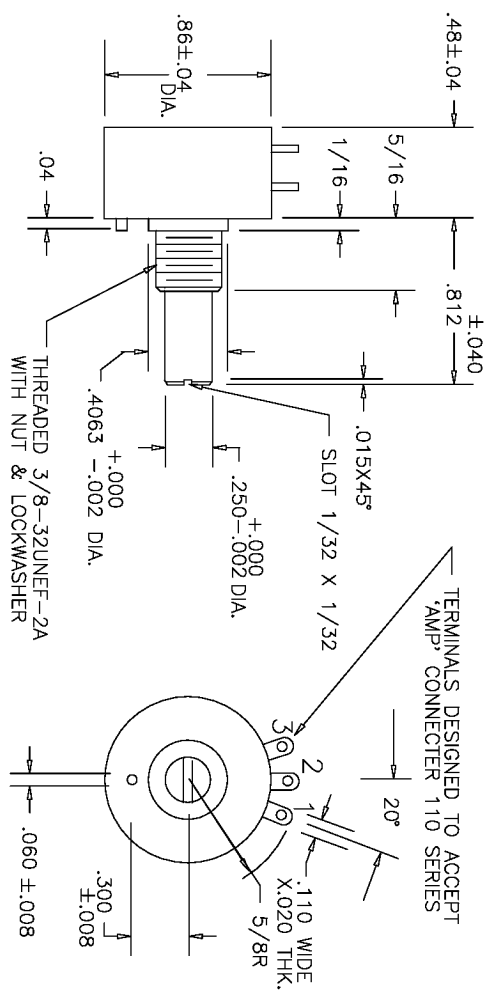
OPERATING TEMPERATURE \_\_\_\_\_ -55°C TO +105°C  
 TEMPERATURE COEFFICIENT \_\_\_\_\_ ±400 PPM/°C  
 VIBRATION \_\_\_\_\_ 10HZ TO 2000HZ 15G  
 SHOCK \_\_\_\_\_ 50G 11ms  
 MOISTURE RESISTANCE \_\_\_\_\_ 40°C 95%RH 120 HOURS

MATERIALS

HOUSING----- HIGH TEMP. THERMO PLASTIC  
 TERMINALS----- GOLD PLATED BRASS  
 BUSHING----- BRASS  
 SHAFT----- STAINLESS STEEL  
 ELEMENT----- CONDUCTIVE PLASTIC

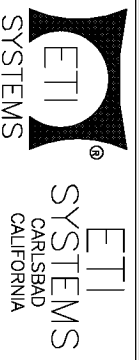
OPTIONAL FEATURES

SHAFT MODIFICATIONS  
 REAR SHAFT  
 CENTER TAP  
 MULTI-GANGED UP TO 6 SECTIONS  
 O'RING SHAFT SEAL  
 SPECIAL ANGLES



TOLERANCES  
 XX = +/- .010" FRACT. = +/- 1/64"  
 XXX = +/- .005" ANGLES = +/- 1/2"  
 ALL SPECIFICATIONS SUBJECT TO CHANGE WITHOUT NOTICE.

SCALE	DATE:	8-4-86
NONE	BY	
CODE	APPRV'D	BT
IDENT:	19477	



TITLE  
 SINGLE TURN  
 POTENTIOMETER

PART NO.  
 SP22E

REV.	BY	DATE	APPRVL.	P/N
E	BT	9/23/96	BT	SP22E

ADDED VIBRATION AND MOISTURE SPECS