

SP3

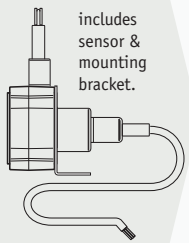
Compact String Pot • 4..20mA / 0..10Vdc

Linear Position to 50 inches (1270 mm)

User Selectable Ouput: 4–20 mA or 0–10Vdc

40-in. Electrical Cable • Free-Release Tolerant

In Stock for Quick Delivery!

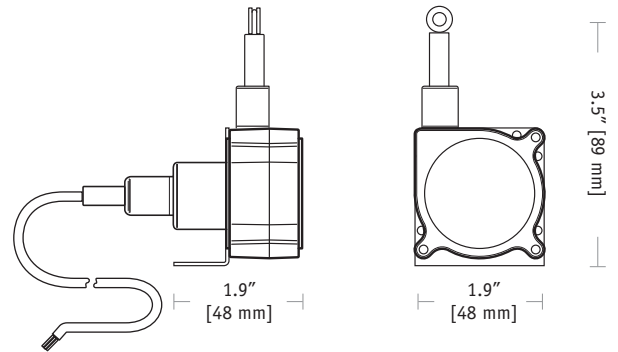
	Part No.	full stroke range	accuracy (% of f.s.)	cycle life
 <p>includes sensor & mounting bracket.</p>	SP3-4	4.75 in (120 mm)	1.00%	2.5M cycles
	SP3-12	12.5 in (317 mm)	0.25%	500K cycles
	SP3-25	25 in (635 mm)	0.25%	500K cycles
	SP3-50	50 in (1270 mm)	0.25%	250K cycles

COMPLETE SPECIFICATIONS

Full Stroke Range Options	0-4.75, 0-12.5, 0-25, 0-50 inches
User Selectable Output Signal	4...20 mA (2-wire) / 0...10 Vdc
Input Voltage, 4...20 mA option	8-40 VDC
Input Voltage, 0...10 Vdc option	12-32 VDC
Accuracy	±0.25 to ±1.00% (see part no. above)
Repeatability	± 0.05% full stroke
Resolution	essentially infinite
Measuring Cable	0.019-in. dia. nylon-coated stainless steel
Measuring Cable Tension	7 oz. (1,9 N) ±25%
Maximum Cable Acceleration	15 g
Enclosure Material	polycarbonate
Sensor	plastic-hybrid precision potentiometer
Electrical Connection	40-inch long, 24 gauge shielded electrical cable
Weight	5 oz. (w/o mounting bracket) max.

ENVIRONMENTAL

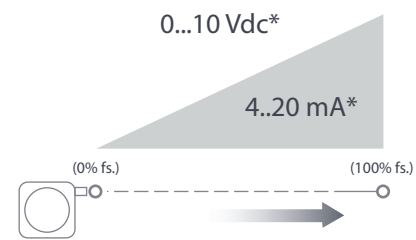
Enclosure	IP 50
Operating Temperature	0° to 160°F (-18° to 71°C)
Vibration	up to 10 g to 2000 Hz maximum



The SP3 from Celesco is a compact, economical stringpot that provides a user selectable 4-20 mA or 0-10 Vdc output signal. Simply install this sensor using the handy mounting bracket and connect the appropriate wires for the desired output.

The SP3 is constructed with a rugged, water resistant polycarbonate body that has been compactly designed for tight spaces and generous measuring cable misalignment. With 4 different ranges, the SP3 is a perfect solution for many applications from light industrial to OEM. Just like all of our other SP and SE models, the SP3 is in stock ready to ship.

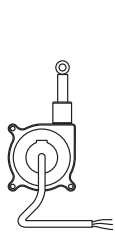
Output Signal:



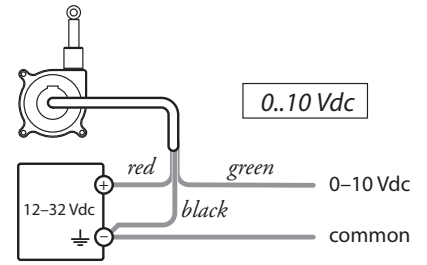
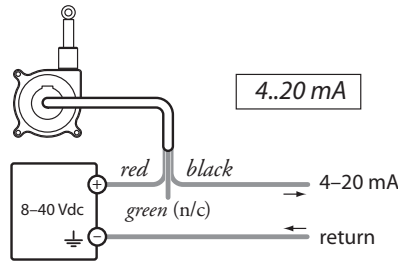
*note: output signal endpoint tolerance

Output Signal	0% fs.	100% fs.
4..20 mA	4 – 4.25 mA	19.2 – 20 mA
0...10 Vdc	0 – .2 Vdc	9.5 – 10 Vdc

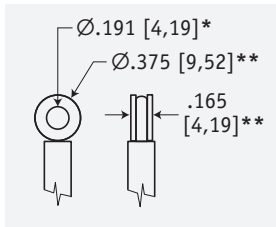
Electrical Connection:



	0...10 Vdc	4...20 mA
(red)	12...32 Vdc	8...40 Vdc
(grn)	0...10 Vdc	n/c
(blk)	common	4...20 mA

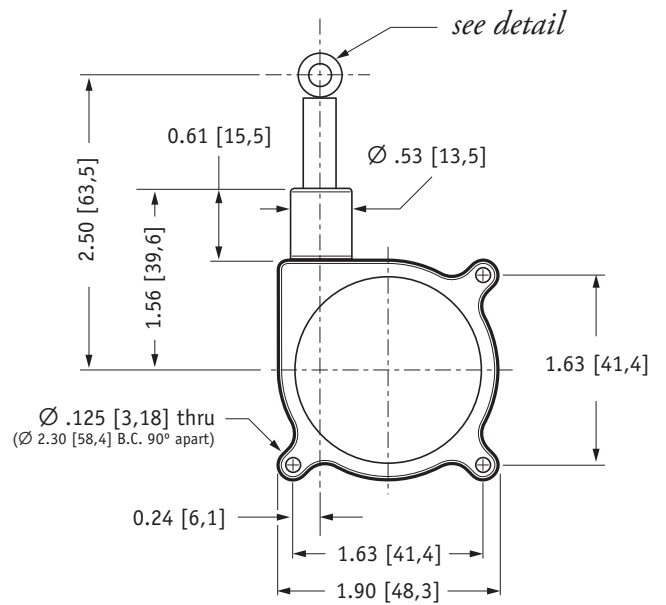
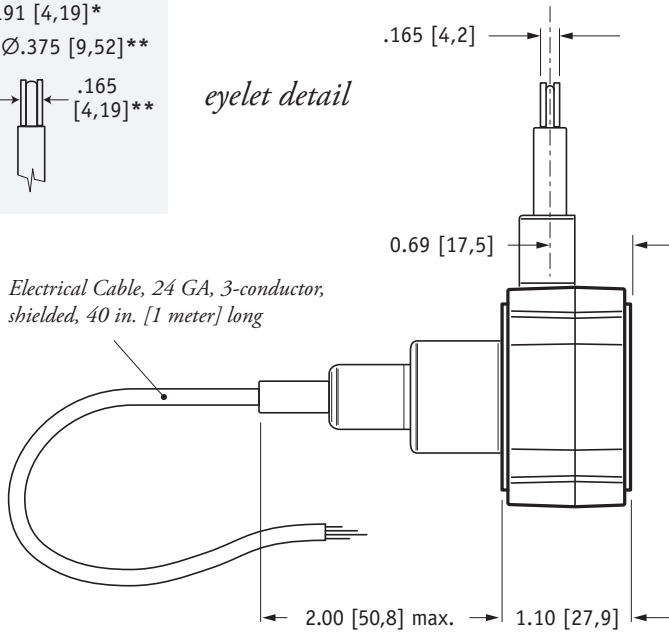


Outline Drawing (w/o bracket):



eyelet detail

Electrical Cable, 24 GA, 3-conductor, shielded, 40 in. [1 meter] long



DIMENSIONS ARE IN INCHES [MM]
tolerances are 0.04 IN. [1,0 MM] unless otherwise noted.

* tolerance = +.005 - .001 [+0,1 -0,0]
** tolerance = +.005 - .005 [+0,1 -0,1]