



Is Now A Part Of



Visit [www.maxlinear.com](http://www.maxlinear.com)  
for more information about  
MaxLinear Inc.



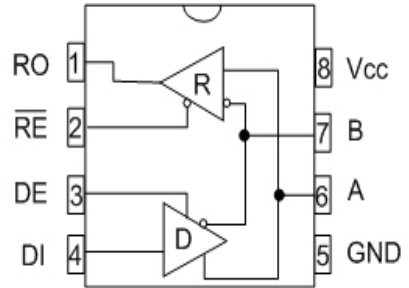


# SP483 / SP485

## Low Power Half-Duplex RS-485 Transceivers

### FEATURES

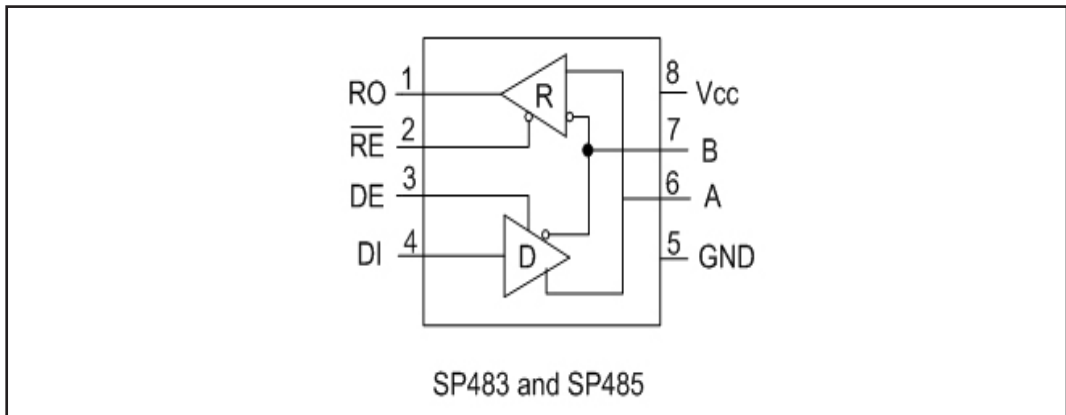
- +5V Only
- Low Power BiCMOS
- Driver / Receiver Enable
- Slew Rate Limited Driver for Low EMI (SP483)
- Low Power Shutdown mode (SP483)
- RS-485 and RS-422 Drivers/Receivers



SP483, SP485  
Pinout (Top View)

### DESCRIPTION

The **SP483** and **SP485** are a family of half-duplex transceivers that meet the specifications of RS-485 and RS-422. Their BiCMOS design allows low power operation without sacrificing performance. The **SP485** meets the requirements of RS-485 and RS-422 up to 5Mbps. Additionally, the **SP483** is equipped with a low power Shutdown mode. The **SP483** is internally slew rate limited to reduce EMI and can meet the requirements of RS-485 and RS-422 up to 250kbps.



SP483 and SP485

## ABSOLUTE MAXIMUM RATINGS

These are stress ratings only and functional operation of the device at these ratings or any other above those indicated in the operation sections of the specifications below is not implied. Exposure to absolute maximum rating conditions for extended periods of time may affect reliability.

$V_{CC}$ .....+7V

### Input Voltages

Logic.....-0.3V to ( $V_{CC} + 0.5V$ )

Drivers.....-0.3V to ( $V_{CC} + 0.5V$ )

Receivers.....+/-15V

### Output Voltages

Logic.....-0.3V to ( $V_{CC} + 0.5V$ )

Drivers.....+/-15V

Receivers.....-0.3V to ( $V_{CC} + 0.5V$ )

Storage Temperature.....-65°C to +150°C

### Power Dissipation

8-pin NSOIC.....500mW

## ELECTRICAL CHARACTERISTICS

$T_{MIN}$  to  $T_{MAX}$  and  $V_{CC} = 5V \pm 5\%$  unless otherwise noted.

PARAMETERS	MIN.	TYP.	MAX.	UNITS	CONDITIONS
<b>SP483/SP485 DRIVER</b>					
<b>DC Characteristics</b>					
Differential Output Voltage			$V_{CC}$	Volts	Unloaded; $R = \infty$ ; see figure 1
Differential Output Voltage	2		$V_{CC}$	Volts	With Load; $R = 50\Omega$ (RS-422); see figure 1
Differential Output Voltage	1.5		$V_{CC}$	Volts	With Load; $R = 27\Omega$ (RS-485); see figure 1
Change in Magnitude of Driver Differential Output Voltage for Complimentary states			0.2	Volts	$R = 27\Omega$ or $R = 50\Omega$ ; see figure 1
Driver Common Mode Output Voltage			3	Volts	$R = 27\Omega$ or $R = 50\Omega$ ; see figure 1
Input High Voltage	2.0			Volts	Applies to DE, DI, $\overline{RE}$
Input Low Voltage			0.8	Volts	Applies to DE, DI, $\overline{RE}$
Input Current			+/-10	$\mu A$	Applies to DE, DI, $\overline{RE}$
Driver Short Circuit Current, $V_{OUT} = HIGH$			250	mA	$-7V \leq V_O \leq +12V$
Driver Short Circuit Current, $V_{OUT} = LOW$			250	mA	$-7V \leq V_O \leq +12V$
<b>SP485 DRIVER</b>					
<b>AC Characteristics</b>					
Maximum Data Rate	5			Mbps	$\overline{RE} = 5V$ , $DE = 5V$
Driver Input to Output, $t_{PLH}$		30	60	ns	Figures 3 and 5, $R_{DIFF} = 54\Omega$ , $C_{L1} = C_{L2} = 100pF$
Driver Input to Output, $t_{PHL}$		30	60	ns	Figures 3 and 5, $R_{DIFF} = 54\Omega$ , $C_{L1} = C_{L2} = 100pF$
Driver Skew		5	10	ns	Figures 3 and 5, $t_{SKEW} =  t_{DPHL} - t_{DPLH} $
Driver Rise or Fall Time		15	40	ns	From 10%-90%; $R_{DIFF} = 54\Omega$ , $C_{L1} = C_{L2} = 100pF$ ; see figures 3 and 5

## ELECTRICAL CHARACTERISTICS

$T_{MIN}$  to  $T_{MAX}$  and  $V_{CC} = 5V \pm 5\%$  unless otherwise noted.

PARAMETERS	MIN.	TYP.	MAX.	UNITS	CONDITIONS
<b>SP485 DRIVER (continued)</b>					
<b>AC Characteristics</b>					
Driver Enable to Output High		40	70	ns	$C_L = 100\text{pF}$ , see figures 4 and 6, $S_2$ closed
Driver Enable to Output Low		40	70	ns	$C_L = 100\text{pF}$ , see figures 4 and 6, $S_1$ closed
Driver Disable Time from High		40	70	ns	$C_L = 15\text{pF}$ , see figures 2 and 8, $S_2$ closed
Driver Disable Time from Low		40	70	ns	$C_L = 15\text{pF}$ , see figures 2 and 8, $S_1$ closed
<b>SP483/SP485 RECEIVER</b>					
<b>DC Characteristics</b>					
Differential Input Threshold	-0.2		+0.2	Volts	$-7V \leq V_{CM} \leq +12V$
Input Hysteresis		10		mV	$V_{CM} = 0V$
Output Voltage High	2.4		5	Volts	$I_O = -4\text{mA}$ , $V_{ID} = +200\text{mV}$
Output Voltage Low	0.0		0.4	Volts	$I_O = +4\text{mA}$ , $V_{ID} = -200\text{mV}$
Three-State ( High Impedance) Output Current			+/-1	$\mu\text{A}$	$0.4V \leq V_O \leq 2.4V$ ; $\overline{RE} = 5V$
Input Resistance	12	15		k $\Omega$	$-7V \leq V_{CM} \leq +12V$
Input Current (A, B); $V_{IN} = 12V$			+1.0	mA	$DE = 0V$ , $V_{CC} = 0V$ or $5.25V$ , $V_{IN} = 12V$
Input Current (A, B); $V_{IN} = -7V$			-0.8	mA	$DE = 0V$ , $V_{CC} = 0V$ or $5.25V$ , $V_{IN} = -7V$
Short-Circuit Current			95	mA	$0V \leq V_{CM} \leq V_{CC}$
<b>SP485 RECEIVER</b>					
<b>AC Characteristics</b>					
Maximum Data Rate	5			Mbps	$\overline{RE} = 0V$ , $DE = 0V$
Receiver Input to Output	20	45	200	ns	$t_{PLH}$ ; Figures 3 and 7, $R_{DIFF} = 54\Omega$ , $C_{L1} = C_{L2} = 100\text{pF}$
Receiver Input to Output	20	45	200	ns	$t_{PHL}$ ; Figures 3 and 7, $R_{DIFF} = 54\Omega$ , $C_{L1} = C_{L2} = 100\text{pF}$
Differential Receiver Skew $ t_{PHL} - t_{PLH} $		13		ns	$R_{DIFF} = 54\Omega$ , $C_{L1} = C_{L2} = 100\text{pF}$ , Figures 3 and 7
Receiver Enable to Output Low		45	70	ns	$C_{RL} = 15\text{pF}$ , Figures 2 and 8; $S_1$ Closed
Receiver Enable to Output High		45	70	ns	$C_{RL} = 15\text{pF}$ , Figures 2 and 8; $S_2$ Closed
Receiver Disable from LOW		45	70	ns	$C_{RL} = 15\text{pF}$ , Figures 2 and 8; $S_1$ Closed
Receiver Disable from High		45	70	ns	$C_{RL} = 15\text{pF}$ , Figures 2 and 8; $S_2$ Closed

## ELECTRICAL CHARACTERISTICS

$T_{MIN}$  to  $T_{MAX}$  and  $V_{CC} = 5V \pm 5\%$  unless otherwise noted.

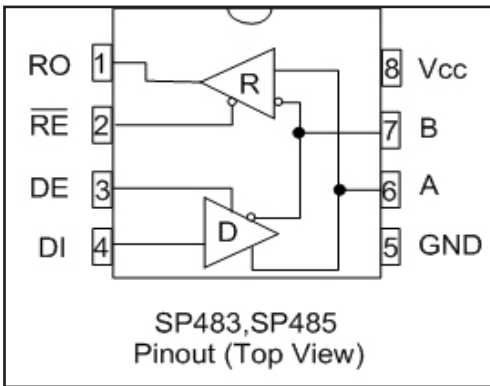
PARAMETERS	MIN.	TYP.	MAX.	UNITS	CONDITIONS
<b>POWER REQUIREMENTS</b>					
Supply Voltage $V_{CC}$	+4.75		+5.25	Volts	
Supply Current					
<b>SP485</b>		900		$\mu A$	No Load; $\overline{RE}$ , DI = 0V or $V_{CC}$ ; DE = $V_{CC}$
		900		$\mu A$	No Load; $\overline{RE} = 0V$ , DI = 0V or 5V; DE = 0V
<b>SP483</b>		600		$\mu A$	No Load; $\overline{RE}$ , DI = 0V or $V_{CC}$ ; DE = $V_{CC}$
		600		$\mu A$	No Load; $\overline{RE} = 0V$ , DI = 0V or 5V; DE = 0V
<b>SP483</b>			10	$\mu A$	Shutdown Mode; $\overline{DE} = 0V$ , RE = $V_{CC}$
<b>ENVIRONMENTAL AND MECHANICAL</b>					
Operating Temperature					
Commercial ( $\_C\_$ )	0		70	$^{\circ}C$	
Industrial ( $\_E\_$ )	-40		+85	$^{\circ}C$	
Storage Temperature	-65		+150	$^{\circ}C$	
Package: Plastic DIP ( $\_P$ ), NSOIC ( $\_N$ )					

## ELECTRICAL CHARACTERISTICS

$T_{MIN}$  to  $T_{MAX}$  and  $V_{CC} = 5V \pm 5\%$  unless otherwise noted.

PARAMETERS	MIN.	TYP.	MAX.	UNITS	CONDITIONS
<b>SP483 DRIVER</b>					
<b>AC Characteristics</b>					
Maximum Data Rate	250			kbps	
Driver Input to Output, $t_{PLH}$	250	800	2000	ns	$t_{PLH}$ ; $R_{DIFF} = 54\Omega$ , $C_{L1} = C_{L2} = 100pF$ , see figures 3 and 5
Driver Input to Output, $t_{PHL}$	250	800	2000	ns	$t_{PHL}$ ; $R_{DIFF} = 54\Omega$ , $C_{L1} = C_{L2} = 100pF$ , see figures 3 and 5
Driver Skew		100	800	ns	see figures 3 and 5, $t_{SKEW} =  t_{DPHL} - t_{DPLH} $
Driver Rise or Fall Time	250		2000	ns	From 10%-90%; $R_{DIFF} = 54\Omega$ $C_{L1} = C_{L2} = 100pF$ ; see Figures 3 and 5
Driver Enable to Output High	250		2000	ns	$C_L = 100pF$ , see figures 4 and 6, $S_2$ closed
Driver Enable to Output Low	250		2000	ns	$C_L = 100pF$ , see figures 4 and 6, $S_1$ closed
Driver Disable Time from High	300		3000	ns	$C_L = 15pF$ , see figures 4 and 6, $S_2$ closed
Driver Disable Time from Low	300		3000	ns	$C_L = 15pF$ , see figures 4 and 6, $S_1$ closed
<b>SP483 RECEIVER</b>					
<b>AC Characteristics</b>					
Maximum Data Rate	250			kbps	
Receiver Input to Output	250		2000	ns	$t_{PLH}$ , $t_{PHL}$ ; Figures 3 and 7: $R_{DIFF} = 54\Omega$ , $C_{L1} = C_{L2} = 100pF$
Differential Receiver Skew $ t_{PHL} - t_{PLH} $		100		ns	$R_{DIFF} = 54\Omega$ , $C_{L1} = C_{L2} = 100pF$ , see Figures 3 and 7
Receiver Enable to Output Low		20	50	ns	$C_{RL} = 15pF$ , Figures 2 and 8; $S_1$ Closed
Receiver Enable to Output High		20	50	ns	$C_{RL} = 15pF$ , Figures 2 and 8; $S_2$ Closed
Receiver Disable from LOW		20	50	ns	$C_{RL} = 15pF$ , Figures 2 and 8; $S_1$ Closed
Receiver Disable from High		20	50	ns	$C_{RL} = 15pF$ , Figures 2 and 8; $S_2$ Closed
<b>SP483</b>					
<b>Shutdown Timing</b>					
Time to Shutdown	50	200	600	ns	$\overline{RE} = 5V$ , $DE = 0V$
Driver Enable from Shutdown to Output High			2000	ns	$C_L = 100pF$ ; See Figures 4 and 6; $S_2$ Closed
Driver Enable from Shutdown to Output Low			2000	ns	$C_L = 100pF$ ; See Figures 4 and 6; $S_1$ Closed
Receiver Enable from Shutdown to Output High			2500	ns	$C_L = 15pF$ ; See Figures 4 and 6; $S_2$ Closed
Receiver Enable from Shutdown to Output Low			2500	ns	$C_L = 15pF$ ; See Figures 4 and 6; $S_1$ Closed

## PIN FUNCTION



- Pin 1 - RO - Receiver Output
- Pin 2 -  $\overline{RE}$  - Receiver Output Enable Active LOW
- Pin 3 - DE - Driver Output Enable Active HIGH
- Pin 4 - DI - Driver Input
- Pin 5 - GND - Ground Connection
- Pin 6 - A - Driver Output / Receiver input Non-Inverting
- Pin 7 - B - Driver Output / Receiver Input Inverting
- Pin 8 - V<sub>CC</sub> - Positive Supply  $4.75V \leq V_{CC} \leq 5.25V$

## TEST CIRCUITS

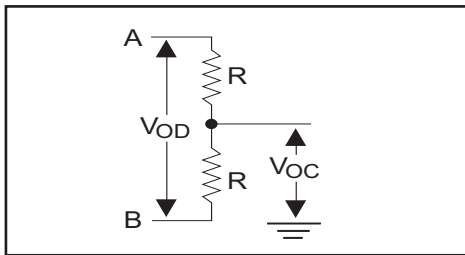


Figure 1. Driver DC Test Load Circuit

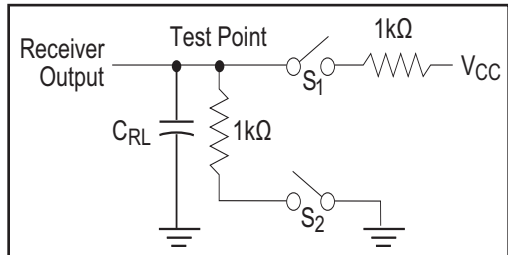


Figure 2. Receiver Timing Test Load Circuit

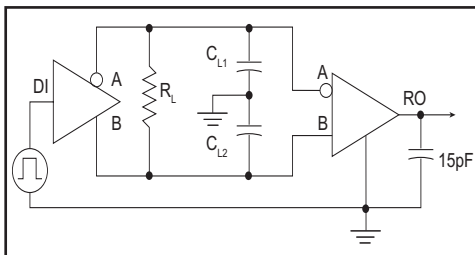


Figure 3. RS-485 Driver/Receiver Timing Test

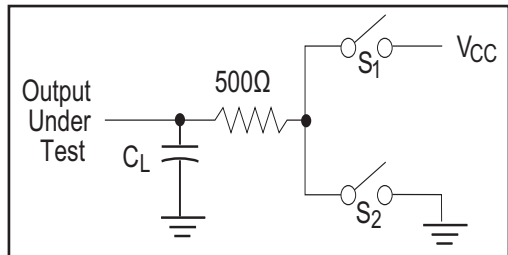


Figure 4. Driver Timing Test Load #2 Circuit

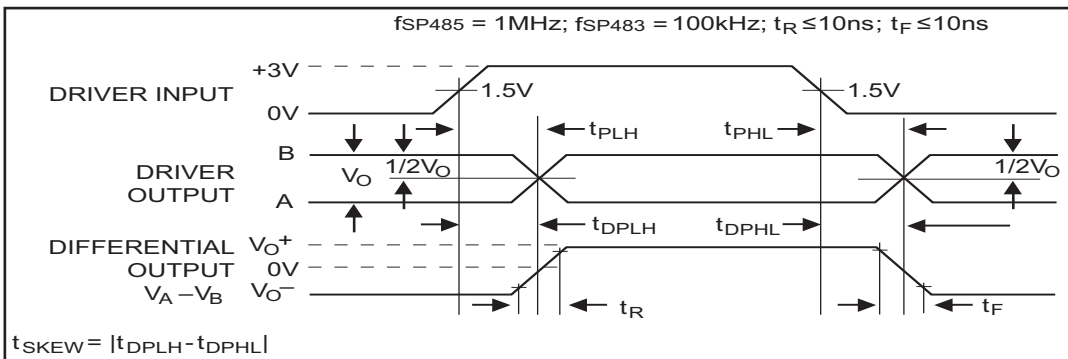


Figure 5. Driver Propagation Delays

## FUNCTION TRUTH TABLES

INPUTS			LINE CONDITION	OUTPUTS	
$\overline{RE}$	DE	DI		A	B
X	1	1	No Fault	1	0
X	1	0	No Fault	0	1
X	0	X	X	Z	Z
X	1	X	Fault	Z	Z

Table 1. Transmit Function Truth Table

INPUTS			A - B	OUTPUTS
$\overline{RE}$	DE			
0	0		+0.2V	1
0	0		-0.2V	0
0	0		Inputs Open	1
1	0		X	Z

Table 2. Receive Function Truth Table

## SWITCHING WAVEFORMS

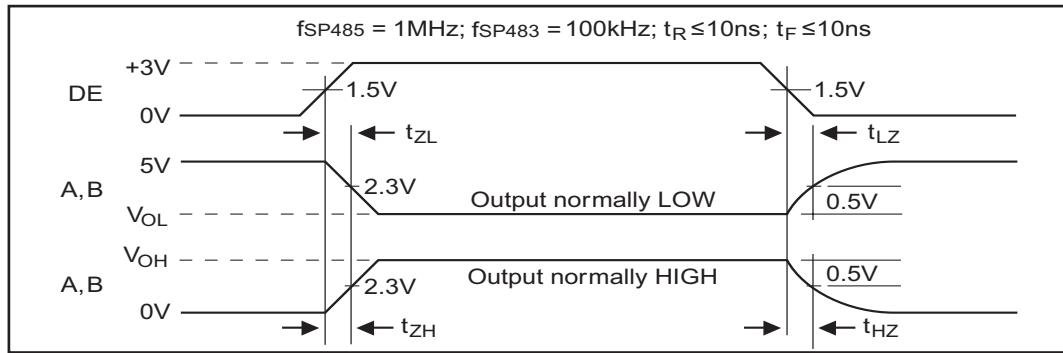


Figure 6. Driver Enable and Disable Times

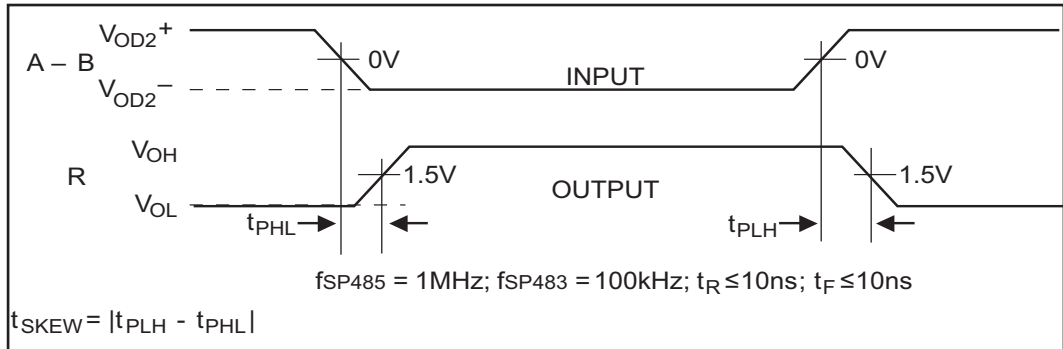


Figure 7. Receiver Propagation Delays

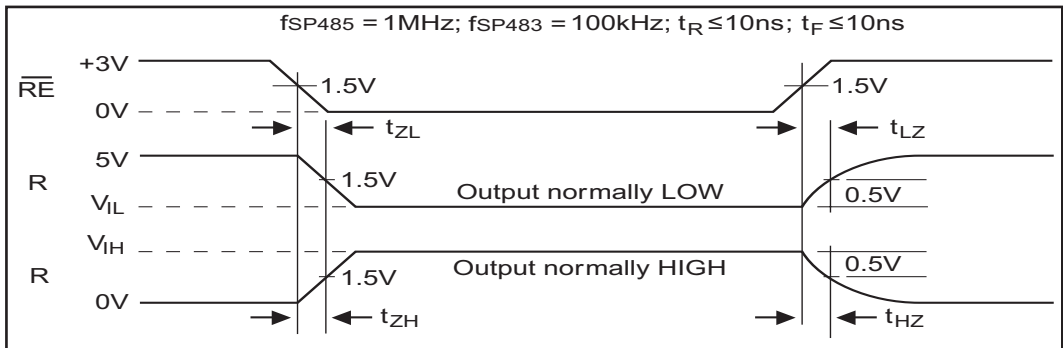


Figure 8. Receiver Enable and Disable Times



The **SP483** and **SP485** are half-duplex differential transceivers that meet the requirements of RS-485 and RS-422. Fabricated with an **Exar** proprietary BiCMOS process, this product requires a fraction of the power of older bipolar designs.

The RS-485 standard is ideal for multi-drop applications and for long-distance interfaces. RS-485 allows up to 32 drivers and 32 receivers to be connected to a data bus, making it an ideal choice for multi-drop applications. Since the cabling can be as long as 4,000 feet, RS-485 transceivers are equipped with a wide (-7V to +12V) common mode range to accommodate ground potential differences. Because RS-485 is a differential interface, data is virtually immune to noise in the transmission line.

### Drivers

#### **SP483 and SP485**

The driver outputs of the **SP483** and **SP485** are differential outputs meeting the RS-485 and RS-422 standards. The typical voltage output swing with no load will be 0 Volts to +5 Volts. With worst case loading of 54 $\Omega$  across the differential outputs, the drivers can maintain greater than 1.5V voltage levels. The drivers of the **SP483** and **SP485** have an enable control line which is active HIGH. A logic HIGH on DE (pin 3) will enable the differential driver outputs. A logic LOW on the DE(pin 3) will tri-state the driver outputs.

The transmitters of the **SP485** will operate up to at least 5Mbps. The **SP483** has internally slew rate limited driver outputs to minimize EMI. The maximum data rate for the **SP483** driver is 250kbps.

### Receivers

#### **SP483 and SP485**

The **SP483** and **SP485** receivers have differential inputs with an input sensitivity as low as  $\pm 200\text{mV}$ . Input impedance of the receivers is typically 15k $\Omega$  (12k $\Omega$  minimum). A wide common mode range of -7V to +12V allows for large ground potential differences between systems. The receivers of the **SP483** and **SP485** have a tri-state enable control pin. A logic LOW on RE (pin 2) will enable the receiver, a logic HIGH on RE (pin 2) will disable the receiver.

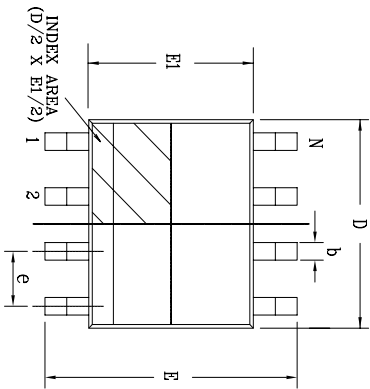
The receiver for the **SP485** will operate up to at least 10Mbps. The **SP483** receiver is rated for data rates up to 250kbps. The receiver for each of the three devices is equipped with the fail-safe feature. Fail-safe guarantees that the receiver output will be in a HIGH state when the input is left unconnected and floating.

### Shutdown Mode

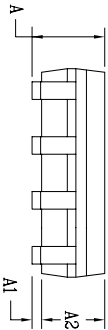
#### **SP483**

The **SP483** is equipped with a Shutdown mode. To enable the shutdown state, both driver and receiver must be disabled simultaneously. A logic LOW on DE (pin 3) and a Logic HIGH on RE (pin 2) will put the **SP483** into Shutdown mode. In Shutdown, supply current will drop to typically 1 $\mu\text{A}$ .

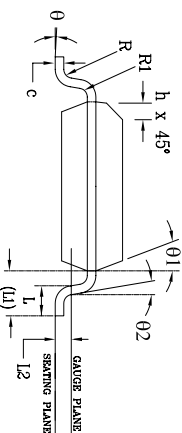
REVISION HISTORY			
REV	DESCRIPTION	DATE	APP'D
A	DRAWING ORIGINATOR	08/16/05	JL
B	DRAWING FORMAT MODIFICATION	07/19/06	JL
C	CHANGE DRAWING LOGO AND COMPANY NAME	11/16/07	JL



Top View




Side View



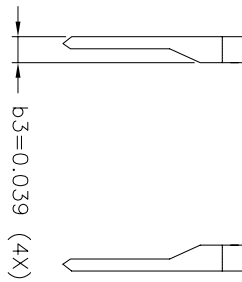
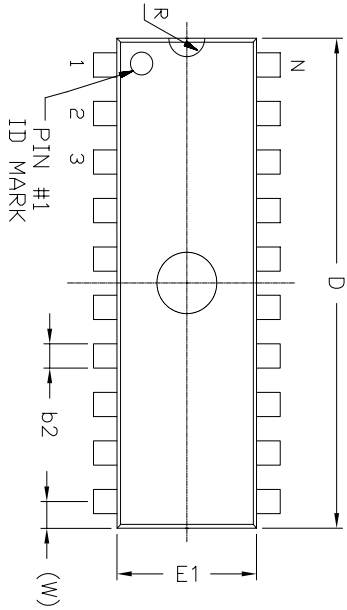
Front View

8 Pin SOICN JEDEC MS-012 Variation AA										
SYMBOLS	DIMENSIONS IN MM (Control Unit)				DIMENSIONS IN INCH (Reference Unit)				MIN	MAX
	MIN	NOM	MAX		MIN	NOM	MAX			
A	1.35	—	1.75	0.053	—	—	—	0.069	—	—
A1	0.10	—	0.25	0.004	—	—	0.010	—	—	—
A2	1.25	—	1.65	0.049	—	—	0.065	—	—	—
b	0.31	—	0.51	0.012	—	—	0.020	—	—	—
c	0.17	—	0.25	0.007	—	—	0.010	—	—	—
E	6.00	BSC	—	—	—	—	0.236	BSC	—	—
E1	3.90	BSC	—	—	—	—	0.154	BSC	—	—
e	1.27	BSC	—	—	—	—	0.050	BSC	—	—
h	0.25	—	0.50	0.010	—	—	0.020	—	—	—
L	0.40	—	1.27	0.016	—	—	0.050	—	—	—
L1	—	1.04	REF	—	—	—	0.041	REF	—	—
L2	—	0.25	BSC	—	—	—	0.010	BSC	—	—
R	0.07	—	—	0.003	—	—	—	—	—	—
R1	0.07	—	—	0.003	—	—	—	—	—	—
θ	0°	—	8°	0°	—	—	8°	—	—	—
θ1	5°	—	15°	5°	—	—	15°	—	—	—
θ2	0°	—	—	0°	—	—	—	—	—	—
D	4.90	BSC	—	—	—	—	0.193	BSC	—	—
N	8	—	—	—	—	—	8	—	—	—

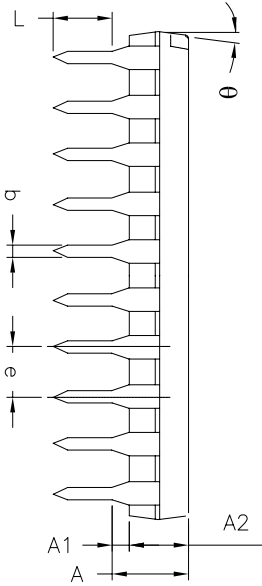
		<b>EXAR CORPORATION</b> Fremont, CA 94538	
Drawing No.: 8 PIN SOICN PACKAGE OUTLINE		Revision: C	
8 PIN SOICN PACKAGE OUTLINE		Sheet: 1 OF 1	

REVISION HISTORY				
REV.	DESCRIPTION	DATE	APP'D	
A	DRAWING ORIGINATOR	04/26/06	JL	
B	CHANGE DRAWING LOGO AND COMPANY NAME	11/28/07	JL	

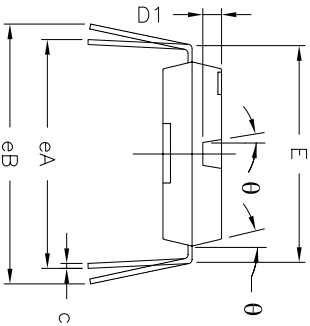
REMARKS:  
FOR 8LD AND 16LD  
ALL END LEADS (4X)  
ARE HALF LEAD TYPES



Top View




Side View



Front View

8 Pin PDIP JEDEC MS-001 Variation BA										
SYMBOLS	DIMENSIONS IN INCH (Control Unit)					DIMENSIONS IN MM (Reference Unit)				
	MIN	NOM	MAX	MIN	NOM	MAX				
A	—	—	0.210	—	—	5.33				
A1	0.015	—	—	0.38	—	—				
A2	0.115	0.130	0.195	2.92	3.30	4.95				
b	0.014	0.018	0.022	0.36	0.46	0.56				
b2	0.045	0.060	0.070	1.14	1.52	1.78				
c	0.008	0.010	0.014	0.20	0.25	0.36				
D1	0.030	—	0.060	0.76	—	1.52				
E	0.300	0.310	0.325	7.62	7.87	8.26				
E1	0.240	0.250	0.280	6.10	6.35	7.11				
e	0.100 BSC					2.54 BSC				
eA	0.300 BSC					7.62 BSC				
eB	—	—	0.430	—	—	10.92				
L	0.115	0.130	0.150	2.92	3.30	3.81				
W	0.075 REF					1.91 REF				
R	0.030 BSC					0.76 BSC				
theta	4°	7°	10°	4°	7°	10°				
D	0.355	0.365	0.400	9.02	9.27	10.16				
N	8					8				

		<b>EXAR CORPORATION</b> Packaging Approval:	
By: JL	Date: 11/28/07	Revision: B	Sheet: 1 OF 1

## ORDERING INFORMATION

Model	Temperature Range	Package Types
SP483CN-L .....	0°C to +70°C .....	8-pin NSOIC
SP483CN-L/TR .....	0°C to +70°C .....	8-pin NSOIC
SP483EN-L .....	-40°C to +85°C .....	8-pin NSOIC
SP483EN-L/TR .....	-40°C to +85°C .....	8-pin NSOIC
SP485CN-L .....	0°C to +70°C .....	8-pin NSOIC
SP485CN-L/TR .....	0°C to +70°C .....	8-pin NSOIC
SP485CS-L .....	0°C to +70°C .....	8-pin PDIP
SP485EN-L .....	-40°C to +85°C .....	8-pin NSOIC
SP485EN-L/TR .....	-40°C to +85°C .....	8-pin NSOIC
SP485ES-L .....	-40°C to +85°C .....	8-pin PDIP

Note: /TR = Tape and Reel

## REVISION HISTORY

DATE	REVISION	DESCRIPTION
07/28/04	--	Legacy Sipex Datasheet
07/14/10	1.0.0	Convert to Exar Format. Update ordering information as a result of discontinued Lead type package options per PDN 081126-01. Remove all options and reference to SP481; Part is EOL. Remove "GND" entry from Minimum column of SP483/485 driver DC Characteristic paramter "Differential output voltage - Unloaded".
June 2011	1.0.1	Remove Driver Short Circuit Current minimum. Change Vcc ABS MAX Rating from +12V to +7V. Add 12k ohm minimum value to receiver Input Resistance. Change SP485 receiver propagation delay MIN and TYP to 20 and 45ns respectively, receiver Enable and Disable TYP and MAX to 45 and 70ns respectively. Remove SP483CS-L and SP483ES-L ordering part number per PDN 110510-01.

### Notice

EXAR Corporation reserves the right to make changes to any products contained in this publication in order to improve design, performance or reliability. EXAR Corporation assumes no representation that the circuits are free of patent infringement. Charts and schedules contained herein are only for illustration purposes and may vary depending upon a user's specific application. While the information in this publication has been carefully checked; no responsibility, however, is assumed for inaccuracies.

EXAR Corporation does not recommend the use of any of its products in life support applications where the failure or malfunction of the product can reasonably be expected to cause failure of the life support system or to significantly affect its safety or effectiveness. Products are not authorized for use in such applications unless EXAR Corporation receives, in writing, assurances to its satisfaction that: (a) the risk of injury or damage has been minimized; (b) the user assumes all such risks; (c) potential liability of EXAR Corporation is adequately protected under the circumstances.

Copyright 2011 EXAR Corporation

Datasheet June 2011

Send your serial transceiver technical inquiry with technical details to: [serialtechsupport@exar.com](mailto:serialtechsupport@exar.com)

Reproduction, in part or whole, without the prior written consent of EXAR Corporation is prohibited.