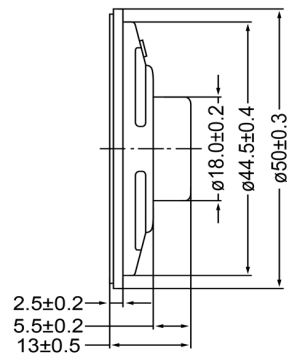
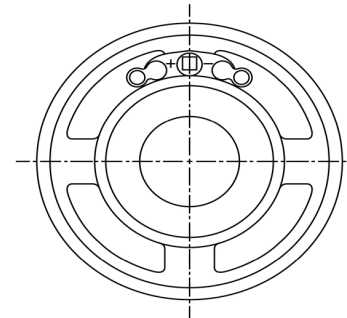




SIDE VIEW



BOTTOM VIEW



Specifications			Notes	Revision History						
Description	Value	Unit		Version	Description		Date	Approved		
Shape	Round		1) All dimensions are in mm unless otherwise noted 2) All parts meet RoHS	1	Released from Engineering		10/21/2013	J.S		
Resonant Frequency	360	(Hz)								
Frequency Range	360 ~ 4,000	(Hz)								
SPL @ 10cm	106	(dBA)								
Impedance	50	(Ohm)								
Cone Material	Paper									
Nominal Power	0.25	(W)								
Max Power	0.5	(W)								
Mount Type	Flush									
Operating Temperature	-10 ~ +40	°C								
Storage Temperature	-25 ~ +55	°C								
Weight	20	(g)								
 DB UNLIMITED			 Dynamic Speaker			SP500350-1				

Additional considerations can be found at www.dbunlimitedco.com/technical-articles.