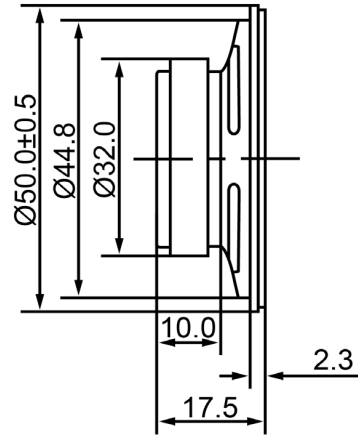
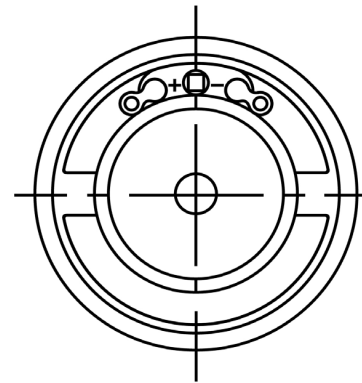




SIDE VIEW



BOTTOM VIEW



Specifications			Notes	Revision History					
Description	Value	Unit		Version	Description	Date	Approved		
Shape	Round		1) All dimensions are in mm unless otherwise noted 2) All parts meet RoHS	1	Released from Engineering	10/21/2013	J.S		
Resonant Frequency	430	(Hz)							
Frequency Range	430 ~ 4,000	(Hz)							
SPL @ 10cm	84	(dBA)							
Impedance	8	(Ohm)							
Cone Material	Paper								
Nominal Power	0.4	(W)							
Max Power	0.8	(W)							
Mount Type	Flush Mount								
Operating Temperature	-25 ~ +55	°C							
Storage Temperature	-25 ~ +55	°C							
Weight	50	(g)							
 DB UNLIMITED			 Dynamic Speaker			SP500408-3			

Additional considerations can be found at www.dbunlimitedco.com/technical-articles.