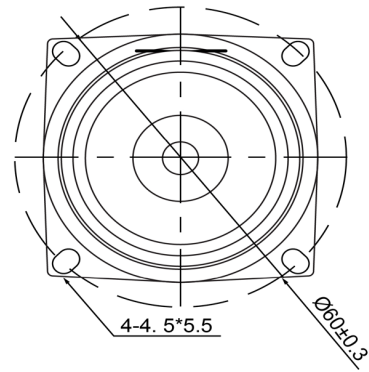
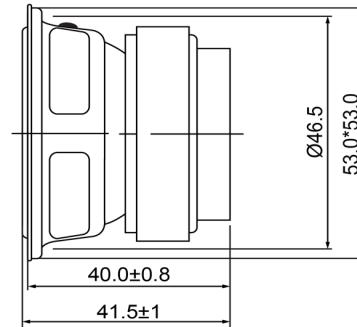




TOP VIEW



SIDE VIEW



Specifications			Notes	Revision History						
Description	Value	Unit		Version	Description		Date	Approved		
Shape	Rectangle		1) All dimensions are in mm unless otherwise noted 2) All parts meet RoHS	1	Released from Engineering		10/21/2013	J.S		
Resonant Frequency	140	(Hz)								
Frequency Range	140 ~ 20,000	(Hz)								
SPL @ 10cm	81	(dBA)								
Impedance	4	(Ohm)								
Cone Material	Paper									
Nominal Power	5	(W)								
Max Power	10	(W)								
Mount Type	Frame									
Operating Temperature	-25 ~ +55	°C								
Storage Temperature	-25 ~ +55	°C								
Weight	55	(g)								
 DB UNLIMITED			 DB UNLIMITED			Dynamic Speaker		SP530104-1		

Additional considerations can be found at www.dbunlimitedco.com/technical-articles.