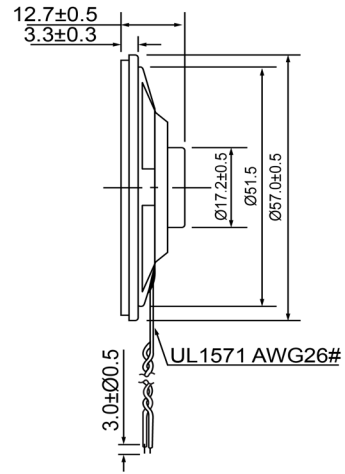
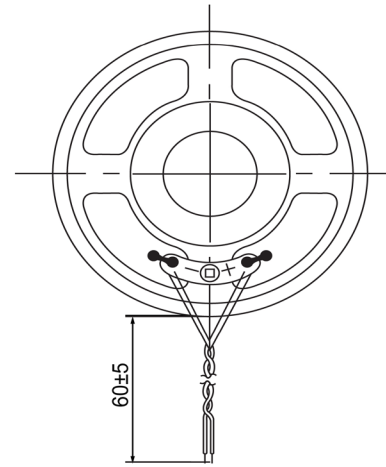



SIDE VIEW



BOTTOM VIEW



Specifications			Notes	Revision History					
Description	Value	Unit		Version	Description	Date	Approved		
Shape	Round		1) All dimensions are in mm unless otherwise noted 2) All parts meet RoHS 	1	Released from Engineering	10/21/2013	J.S		
Resonant Frequency	370	(Hz)							
Frequency Range	370 ~ 5,000	(Hz)							
SPL @ 10cm	80	(dBA)							
Impedance	16	(Ohm)							
Cone Material	Paper								
Nominal Power	0.3	(W)							
Max Power	0.5	(W)							
Mount Type	Flush								
Operating Temperature	-40 ~ +66	°C							
Storage Temperature	-40 ~ +66	°C							
Weight	16.5	(g)							
				Dynamic Speaker		SP570316-2			
				Drawn by	Date	Checked by	Date	Approved by	Date
				A.B.	10/21/2013	C.E.	10/21/2013	J.S	10/21/2013