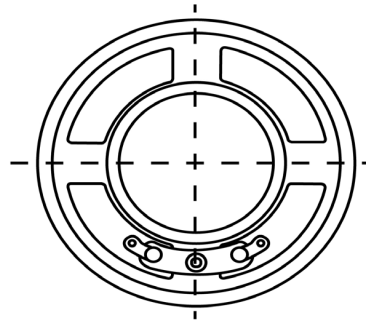
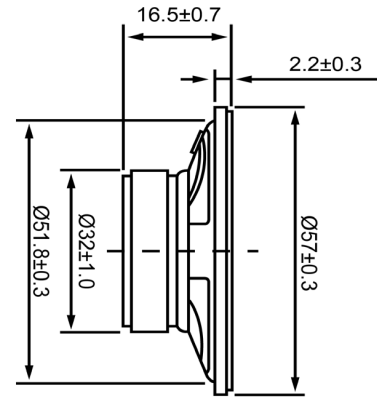



TOP VIEW



SIDE VIEW



| Specifications        |             |       | Notes  | Revision History |                           |            |          |             |          |
|-----------------------|-------------|-------|--|------------------|---------------------------|------------|----------|-------------|----------|
| Description           | Value       | Unit  |  | Version          | Description               |            | Date     | Approved    |          |
| Shape                 | Round       |       | 1) All dimensions are in mm unless otherwise noted<br>2) All parts meet RoHS<br><br>DB UNLIMITED | 1                | Released from Engineering |            | 2/5/2014 | J.S.        |          |
| Resonant Frequency    | 420         | (Hz)  |  |                  |                           |            |          |             |          |
| Frequency Range       | 420 ~ 5,000 | (Hz)  |  |                  |                           |            |          |             |          |
| SPL @ 10cm            | 101         | (dBA) |  |                  |                           |            |          |             |          |
| Impedance             | 8           | (Ohm) |  |                  |                           |            |          |             |          |
| Cone Material         | Paper       |       |  |                  |                           |            |          |             |          |
| Nominal Power         | 0.5         | (W)   |  |                  |                           |            |          |             |          |
| Max Power             | 0.8         | (W)   |  |                  |                           |            |          |             |          |
| Mount Type            | Flush Mount |       |  |                  |                           |            |          |             |          |
| Operating Temperature | -30 ~ +60   | °C    |  |                  |                           |            |          |             |          |
| Storage Temperature   | -30 ~ +60   | °C    |  |                  |                           |            |          |             |          |
| Weight                | 45          | (g)   |  |                  |                           |            |          |             |          |
|                       |             |       |  | Dynamic Speaker  |                           | SP570408-1 |          |             |          |
|                       |             |       |  | Drawn by         | Date                      | Checked by | Date     | Approved by | Date     |
|                       |             |       |  | G.W.             | 1/27/2014                 | C.E.       | 2/5/2014 | J.S.        | 2/5/2014 |

Additional considerations can be found at [www.dbunlimitedco.com/technical-articles](http://www.dbunlimitedco.com/technical-articles).