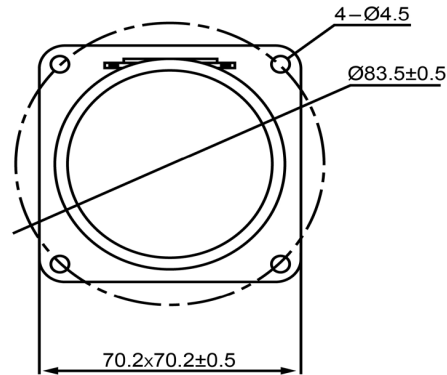
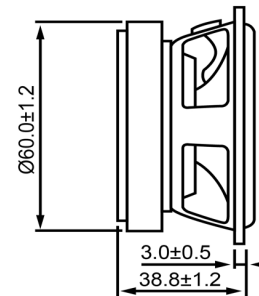



TOP VIEW



SIDE VIEW



Specifications			Notes	Revision History						
Description	Value	Unit		Version	Description		Date	Approved		
Shape	Rectangle		1) All dimensions are in mm unless otherwise noted 2) All parts meet RoHS	1	Released from Engineering		10/21/2013	J.S		
Resonant Frequency	95	(Hz)								
Frequency Range	95 ~ 3,500	(Hz)								
SPL @ 10cm	96	(dBA)								
Impedance	8	(Ohm)								
Cone Material	Paper									
Nominal Power	10	(W)								
Max Power	15	(W)								
Mount Type	Frame									
Operating Temperature	-25 ~ +55	°C								
Storage Temperature	-25 ~ +55	°C								
Weight	288	(g)								
 DB UNLIMITED			Dynamic Speaker			SP700108-1				

Additional considerations can be found at www.dbunlimitedco.com/technical-articles.