



### General Description

The SP706R / SP706S / SP706T and SP708S / SP708T series is a family of microprocessor ( $\mu$ P) supervisory circuits that integrate a myriad of components involved in discrete solutions which monitor power-supplies and batteries in  $\mu$ P and digital systems.

The SP706R / SP706S / SP706T and SP708S / SP708T series will significantly improve system reliability and operational efficiency when compared to solutions using discrete components. The features of the SP706R / SP706S / SP706T and SP708S / SP708T series include a watchdog timer, a  $\mu$ P reset, a power fail comparator, and a manual-reset input.

The SP706R / SP706S / SP706T and SP708S / SP708T series is ideal for 3.0V or 3.3V applications in automotive systems, computers, controllers and intelligent instruments. The SP706R / SP706S / SP706T and SP708S / SP708T series is an ideal solution for systems in which critical monitoring of the power supply to the  $\mu$ P and related digital components is demanded.

### Features

- Precision low voltage monitor
  - SP706R: +2.63V
  - SP706S / SP708S: +2.93V
  - SP706T / SP708T: +3.08V
- 200ms RESET pulse width
  - SP706R / SP706S / SP706T: active low
  - SP708S / SP708T: active high and active low
- Independent watchdog timer
  - 1.6s timeout (SP706R / SP706S / SP706T)
  - Enable / disable function
- 40 $\mu$ A maximum supply current
- Debounced TTL / CMOS manual reset input
- RESET asserted down to  $V_{CC} = 1V$
- $V_{CC}$  glitch immunity
- Voltage monitor for power failure or low battery warning
- 8-Pin NSOIC and MSOP packages
- Pin compatible with industry standards 706R/S/T and 708S/T

### Applications

- Processors & DSPs based systems
- Industrial & medical instruments

Ordering Information - [page 16](#)

### Selection Table

**Table 1:** Selection Table for SP706R / SP706S / SP706T and SP708S / SP708T

Part Number	RESET Threshold	RESET Active	Manual RESET	Watchdog	PFI Accuracy
SP706R	2.63V	Low	Yes	Yes	4%
SP706S	2.93V	Low	Yes	Yes	4%
SP706T	3.08V	Low	Yes	Yes	4%
SP708S	2.93V	Low and High	Yes	No	4%
SP708T	3.08V	Low and High	Yes	No	4%

## Revision History

Revision	Release Date	Change Description
2.0.0	6/4/10	Reformat of datasheet
3.0.0	4/14/15	Change of specs to match industry standards [ECN 1517-08]
3.0.1	4/12/19	Updated to MaxLinear format. Updated ordering information and moved to end. Added Note 1 to Absolute Maximum Ratings and Note 2 to Electrical Characteristics table. Corrected active low pin names. Obsolete SP708R removed.
3.0.2	9/10/19	Corrected typo in $\overline{\text{PFO}}$ pin description.

# Table of Contents

<b>General Description</b> .....	<b>i</b>
<b>Features</b> .....	<b>i</b>
<b>Applications</b> .....	<b>i</b>
<b>Selection Table</b> .....	<b>i</b>
<b>Specifications</b> .....	<b>1</b>
Absolute Maximum Ratings.....	1
ESD Ratings .....	1
Electrical Characteristics .....	2
<b>Block Diagrams</b> .....	<b>3</b>
<b>Pin Information</b> .....	<b>4</b>
Pin Configurations .....	4
<b>Typical Performance Characteristics</b> .....	<b>6</b>
<b>Features</b> .....	<b>9</b>
<b>Theory of Operation</b> .....	<b>9</b>
RESET Output.....	9
Watchdog Timer .....	9
Power-Fail Comparator .....	10
Manual Reset .....	10
Ensuring a Valid Reset Output Down to $V_{CC} = 0V$ .....	10
Monitoring Voltages Other Than the Unregulated DC Input.....	10
Monitoring a Negative Voltage Supply .....	10
Interfacing to $\mu$ Ps with Bidirectional Reset Pins.....	11
Negative-Going $V_{CC}$ Transient.....	11
<b>Applications</b> .....	<b>12</b>
<b>Mechanical Dimensions</b> .....	<b>13</b>
NSOIC8 .....	13
<b>Mechanical Dimensions</b> .....	<b>14</b>
MSOP8.....	14
<b>Recommended Land Pattern and Stencil</b> .....	<b>15</b>
MSOP8.....	15
<b>Ordering Information</b> .....	<b>16</b>

## List of Figures

Figure 1: SP706R / SP706S / SP706T Block Diagram.....	3
Figure 2: SP708S / SP708T Block Diagram .....	3
Figure 3: SP706R, SP706S, SP706T, SP708S and SP708T Pin Assignments .....	4
Figure 4: Power-Fail Comparator De-Assertion Response Time .....	6
Figure 5: Power-Fail Comparator De-Assertion Response Time Circuit .....	6
Figure 6: Power-Fail Comparator Assertion Response Time .....	6
Figure 7: Power-Fail Comparator Assertion Response Time Circuit.....	6
Figure 8: SP706 RESET Output Voltage vs. Supply Voltage .....	6
Figure 9: SP706 RESET Output Voltage vs. Supply Voltage Circuit.....	6
Figure 10: SP706 RESET Response Time.....	7
Figure 11: SP706 RESET Response Time Circuit .....	7
Figure 12: SP708 RESET and RESET Assertion.....	7
Figure 13: SP708 RESET and RESET De-Assertion .....	7
Figure 14: SP708 RESET and RESET Assertion and De-Assertion Circuit.....	7
Figure 15: SP708 RESET Output Voltage vs. Supply Voltage .....	8
Figure 16: SP708 RESET Response Time.....	8
Figure 17: SP708 RESET Output Voltage vs. Supply Voltage and RESET Response Time Circuit.....	8
Figure 18: Watchdog Timing Waveforms .....	9
Figure 19: Timing Diagrams with WDI tri-stated .....	10
Figure 20: Typical Operating Circuit .....	10
Figure 21: Monitoring +3.3V / +3.0V and +12V Power Supplies .....	11
Figure 22: Monitoring a Negative Voltage Supply .....	11
Figure 23: Interfacing to Microprocessors with Bidirectional RESET I/O (SP706) .....	11
Figure 24: Maximum Transient Duration without Causing a Reset Pulse vs. Reset Comparator Overdrive .....	12
Figure 25: Supply Current vs. Temperature .....	12
Figure 26: Supply Current vs. Supply Voltage.....	12
Figure 27: Mechanical Dimensions, NSOIC8 .....	13
Figure 28: Mechanical Dimensions, MSOP8 .....	14
Figure 29: Recommended Land Pattern and Stencil, MSOP8 .....	15

## List of Tables

Table 1: Selection Table for SP706R / SP706S / SP706T and SP708S / SP708T .....	i
Table 1: Absolute Maximum Ratings .....	1
Table 2: ESD Ratings .....	1
Table 3: Electrical Characteristics .....	2
Table 4: Pin Description.....	5
Table 5: Ordering Information.....	16

## Specifications

### Absolute Maximum Ratings

**Important:** These are stress rating only and functional operation of the device at these ratings or any other above those indicated in the operation sections of the specifications below is not implied. Exposure to absolute maximum ratings conditions for extended periods of time may affect reliability.

**Table 1: Absolute Maximum Ratings**

Parameter	Minimum	Maximum	Units
$V_{CC}$	-0.3	6.0	V
All Other Inputs <sup>(1)</sup>	-0.3	$V_{CC} + 0.3V$	V
Input Current			
VCC		20	mA
GND		20	mA
Output Current			
All Outputs		20	mA
Continuous Power Dissipation			
SO (derate 5.88mW/°C above 70°C)		471	mW
Mini SO (derate 4.10mW/°C above 70°C)		330	mW
Storage temperature	-65	160	°C
Lead temperature (soldering, 10 sec)		300	°C

1. The input voltage limits on PFI, WDI and  $\overline{MR}$  can be exceeded if the input current is less than 10mA.

### ESD Ratings

**Table 2: ESD Ratings**

Parameter	Value	Units
HBM (Human Body Model)	2	kV

## Electrical Characteristics

Unless otherwise noted,  $V_{CC} = 2.7V$  to  $5.5V$  (SP706R),  $V_{CC} = 3.15V$  to  $5.5V$  (SP70xS),  $V_{CC} = 3.0V$  to  $5.5V$  (SP70xT),  $T_A = T_{MIN}$  to  $T_{MAX}$ , typical at  $25^\circ C$ .

**Table 3: Electrical Characteristics**

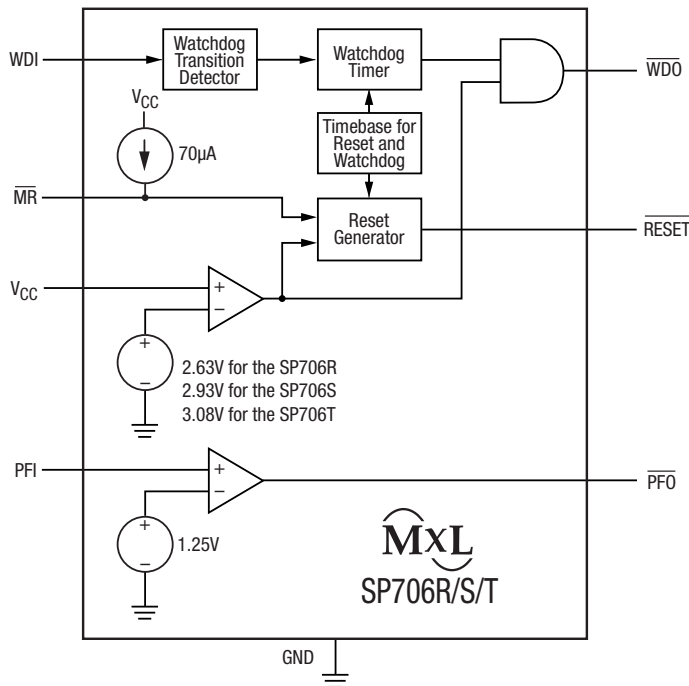
Parameter	Test Condition	Minimum	Typical	Maximum	Units
Operating voltage range		1.0		5.5	V
Supply current $I_{SUPPLY}$	$\overline{MR} = V_{CC}$ or floating, WDI floating, $V_{CC} = 3.3V$		25	40	$\mu A$
	$\overline{MR} = V_{CC}$ or floating, $V_{CC} = 5.5V$		40	80	
Reset threshold	SP706R	2.55	2.63	2.70	V
	SP706S, SP708S	2.85	2.93	3.00	
	SP706T, SP708T	3.00	3.08	3.15	
Reset threshold hysteresis <sup>(2)</sup>			20		mV
Reset pulse width $t_{RS}$ <sup>(2)</sup>		140	200	280	ms
RESET Output Voltage	$V_{OH}$ $V_{RST(MAX)} < V_{CC} < 3.6V$ , $I_{SOURCE} = 500\mu A$	$0.8 \times V_{CC}$			V
	$V_{OL}$ $V_{RST(MAX)} < V_{CC} < 3.6V$ , $I_{SINK} = 1.2mA$			0.3	
	$V_{OH}$ $4.5V < V_{CC} < 5.5V$ , $I_{SOURCE} = 800\mu A$	$V_{CC} - 1.5$			
	$V_{OL}$ $4.5V < V_{CC} < 5.5V$ , $I_{SINK} = 3.2mA$			0.4	
RESET Output Voltage	$V_{OH}$ $V_{RST(MAX)} < V_{CC} < 3.6V$ , $I_{SOURCE} = 215\mu A$	$V_{CC} - 0.6$			V
	$V_{OL}$ $V_{RST(MAX)} < V_{CC} < 3.6V$ , $I_{SINK} = 1.2mA$			0.3	
	$V_{OH}$ $4.5V < V_{CC} < 5.5V$ , $I_{SOURCE} = 800\mu A$	$V_{CC} - 1.5$			
	$V_{OL}$ $4.5V < V_{CC} < 5.5V$ , $I_{SINK} = 3.2mA$			0.4	
Watchdog timeout period $t_{WD}$	$V_{CC} < 3.6V$	1.00	1.60	2.25	s
WDI pulse width $t_{WP}$ <sup>(1)</sup>	$V_{IL} = 0.4V$ , $V_{IH} = 0.8 \times V_{CC}$	50			ns
WDI Input Threshold	$V_{IL}$ $V_{RST(MAX)} < V_{CC} < 3.6V$			0.6	V
	$V_{IH}$ $V_{RST(MAX)} < V_{CC} < 3.6V$	$0.7 \times V_{CC}$			
	$V_{IL}$ $V_{CC} = 5V$			0.8	
	$V_{IH}$ $V_{CC} = 5V$	3.5			
WDI input current	WDI = 0V or WDI = $V_{CC}$	-1	0.02	1	$\mu A$
$\overline{WDO}$ Output Voltage	$V_{IL}$ $V_{RST(MAX)} < V_{CC} < 3.6V$ , $I_{SOURCE} = 500\mu A$	$0.8 \times V_{CC}$			V
	$V_{IH}$ $V_{RST(MAX)} < V_{CC} < 3.6V$ , $I_{SINK} = 1.2mA$			0.3	
	$V_{IL}$ $4.5V < V_{CC} < 5.5V$ , $I_{SOURCE} = 800\mu A$	$V_{CC} - 1.5$			
	$V_{IH}$ $4.5V < V_{CC} < 5.5V$ , $I_{SINK} = 3.2mA$			0.4	
$\overline{MR}$ Pull-up current	$\overline{MR} = 0V$ , $V_{RST(MAX)} < V_{CC} < 3.6V$	25	70	250	$\mu A$
	$\overline{MR} = 0V$ , $4.5V < V_{CC} < 5.5V$	100	250	600	
$\overline{MR}$ pulse width $t_{MR}$	$V_{RST(MAX)} < V_{CC} < 3.6V$	500			ns
	$4.5V < V_{CC} < 5.5V$	150			

**Table 3: Electrical Characteristics**

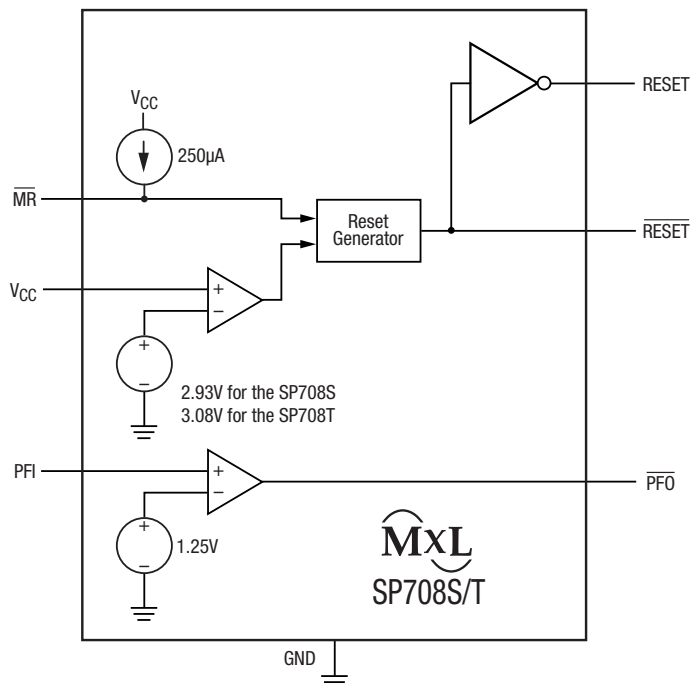
Parameter	Test Condition	Minimum	Typical	Maximum	Units
$\overline{\text{MR}}$ input threshold	$V_{\text{IL}}$	$V_{\text{RST}(\text{MAX})} < V_{\text{CC}} < 3.6\text{V}$		0.6	V
	$V_{\text{IH}}$	$V_{\text{RST}(\text{MAX})} < V_{\text{CC}} < 3.6\text{V}$	$0.7 \times V_{\text{CC}}$		
	$V_{\text{IL}}$	$4.5\text{V} < V_{\text{CC}} < 5.5\text{V}$		0.8	
	$V_{\text{IH}}$	$4.5\text{V} < V_{\text{CC}} < 5.5\text{V}$	2.0		
$\overline{\text{MR}}$ to reset out delay $t_{\text{MD}}$	$V_{\text{RST}(\text{MAX})} < V_{\text{CC}} < 3.6\text{V}$			750	ns
	$4.5\text{V} < V_{\text{CC}} < 5.5\text{V}$			250	
PFI Input Threshold	$V_{\text{CC}} = 3.0\text{V}$ - SP706R, PFI falling $V_{\text{CC}} = 3.3\text{V}$ - SP70xS/T, PFI falling	1.20	1.25	1.30	V
PFI input current	$V_{\text{PFI}} = 1.36\text{V}$	-200.00	0.01	200.00	nA
$\overline{\text{PFO}}$ Output Voltage	$V_{\text{IL}}$	$V_{\text{RST}(\text{MAX})} < V_{\text{CC}} < 3.6\text{V}$ , $I_{\text{SOURCE}} = 500\mu\text{A}$	$0.8 \times V_{\text{CC}}$		V
	$V_{\text{IH}}$	$V_{\text{RST}(\text{MAX})} < V_{\text{CC}} < 3.6\text{V}$ , $I_{\text{SINK}} = 1.2\text{mA}$		0.3	
	$V_{\text{IL}}$	$4.5\text{V} < V_{\text{CC}} < 5.5\text{V}$ , $I_{\text{SOURCE}} = 800\mu\text{A}$	$V_{\text{CC}} - 1.5$		
	$V_{\text{IH}}$	$4.5\text{V} < V_{\text{CC}} < 5.5\text{V}$ , $I_{\text{SINK}} = 3.2\text{mA}$		0.4	

1. WDI minimum rise / fall time is 1us.
2. Applies to both RESET in the SP706R, SP706S and SP706T and RESET in the SP708S and SP708T.

## Block Diagrams



**Figure 1: SP706R / SP706S / SP706T Block Diagram**

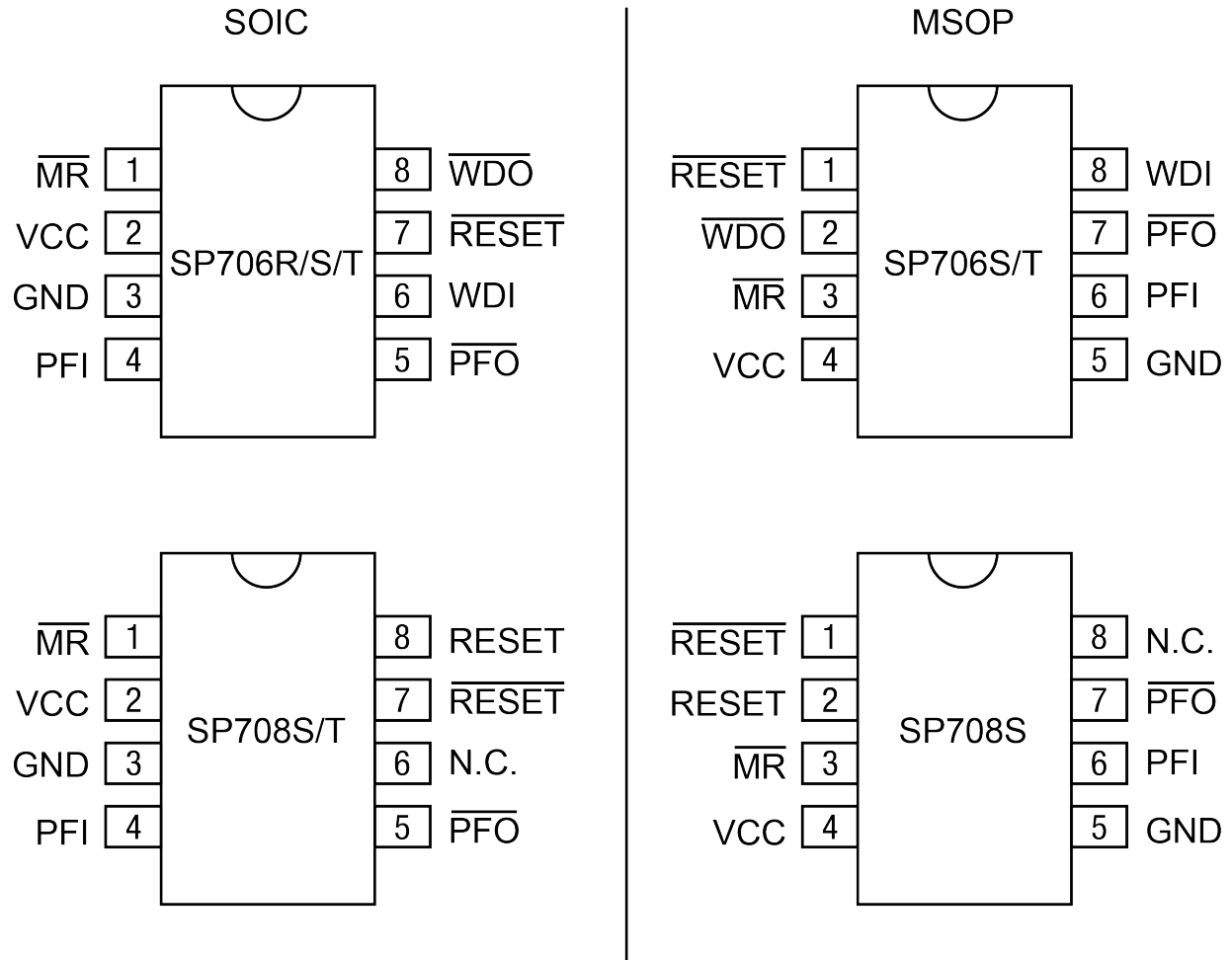


**Figure 2: SP708S / SP708T Block Diagram**



## Pin Information

### Pin Configurations



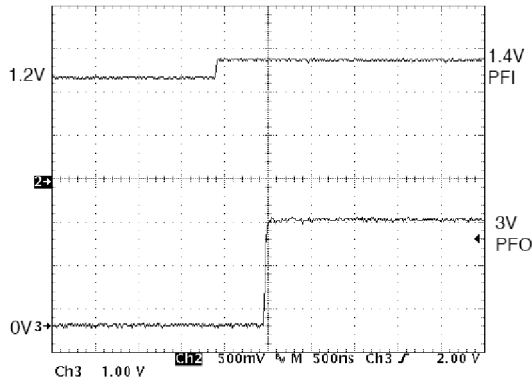
**Figure 3:** SP706R, SP706S, SP706T, SP708S and SP708T Pin Assignments

**Table 4: Pin Description**

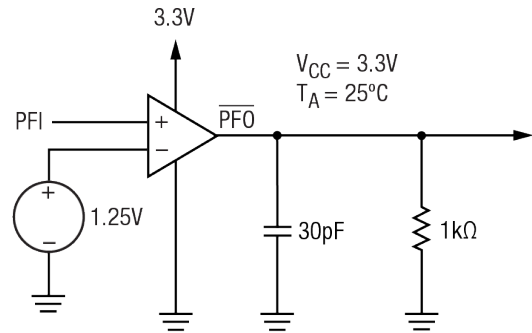
Name	Pin Number				Description
	SP706R, SP706S, SP706T		SP708S, SP708T		
	SOIC	MSOP	SOIC	MSOP	
$\overline{\text{MR}}$	1	3	1	3	Manual Reset This input triggers a reset pulse when pulled below 0.8V. This active LOW input has an internal 70 $\mu$ A pull-up current. It can be driven from a TTL or CMOS logic line or shorted to ground with a switch.
VCC	2	4	2	4	Voltage input
GND	3	5	3	5	Ground reference for all signals
PFI	4	6	4	6	Power-Fail Input When this voltage monitor input is less than 1.25V, PFO goes LOW. Connect PFI to ground or V <sub>CC</sub> when not in use.
$\overline{\text{PFO}}$	5	7	5	7	Power-Fail Output This output is HIGH until PFI is less than 1.25V.
WDI	6	8	-	-	Watchdog Input If this input remains HIGH or LOW for 1.6s, the internal watchdog timer times out and $\overline{\text{WDO}}$ goes LOW. Floating WDI or connecting WDI to a high-impedance tri-state buffer disables the watchdog feature. The internal watchdog timer clears whenever RESET is asserted, WDI is tri-stated, or whenever WDI sees a rising or falling edge.
N.C.	-	-	6	8	No Connect
$\overline{\text{RESET}}$	7	1	7	1	Active-LOW RESET Output This output pulses LOW for 200ms when triggered and stays LOW whenever V <sub>CC</sub> is below the reset threshold. It remains LOW for 200ms after V <sub>CC</sub> rises above the reset threshold or $\overline{\text{MR}}$ goes from LOW to HIGH. A watchdog timeout will not trigger RESET unless $\overline{\text{WDO}}$ is connected to $\overline{\text{MR}}$ .
$\overline{\text{WDO}}$	8	2	-	-	Watchdog Output This output pulls LOW when the internal watchdog timer finishes its 1.6s count and does not go HIGH again until the watchdog is cleared. $\overline{\text{WDO}}$ also goes LOW during low-line conditions. Whenever V <sub>CC</sub> is below the reset threshold, $\overline{\text{WDO}}$ stays LOW. However, unlike RESET, $\overline{\text{WDO}}$ does not have a minimum pulse width. As soon as V <sub>CC</sub> is above the reset threshold, $\overline{\text{WDO}}$ goes HIGH with no delay.
RESET	-	-	8	2	Active-HIGH RESET Output This output is the complement of $\overline{\text{RESET}}$ . Whenever RESET is HIGH, $\overline{\text{RESET}}$ is LOW and vice-versa. Note that the SP708S / SP708T has a reset output only.

## Typical Performance Characteristics

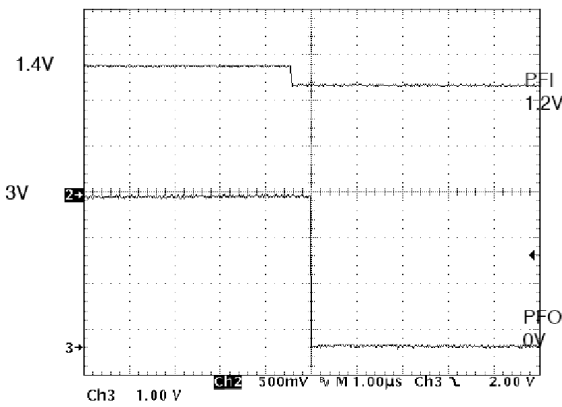
All data taken at  $V_{CC} = 2.7V$  to  $5.5V$  (SP706R),  $V_{CC} = 3.15V$  to  $5.5V$  (SP70xS),  $V_{CC} = 3.0V$  to  $5.5V$  (SP70xT),  $T_A = 25^\circ C$ , unless otherwise indicated.



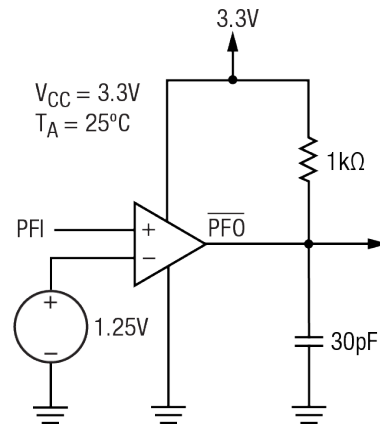
**Figure 4: Power-Fail Comparator De-Assertion Response Time**



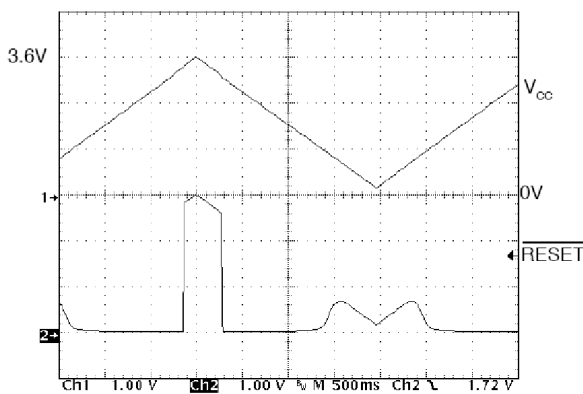
**Figure 5: Power-Fail Comparator De-Assertion Response Time Circuit**



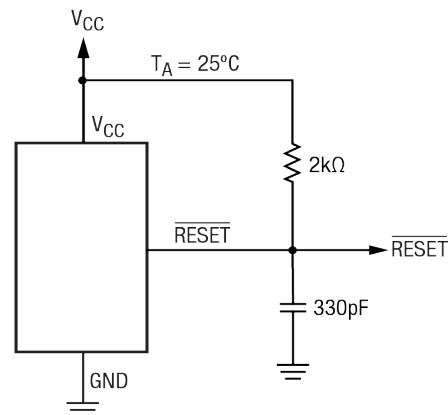
**Figure 6: Power-Fail Comparator Assertion Response Time**



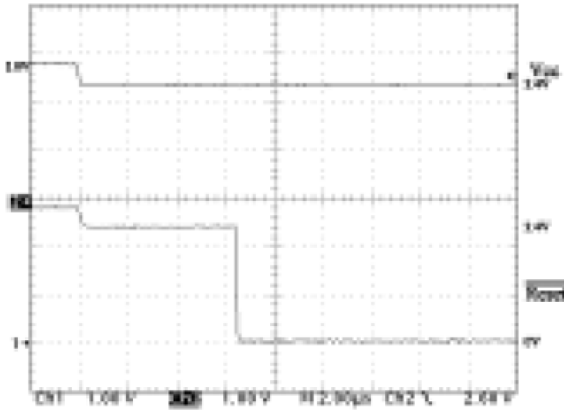
**Figure 7: Power-Fail Comparator Assertion Response Time Circuit**



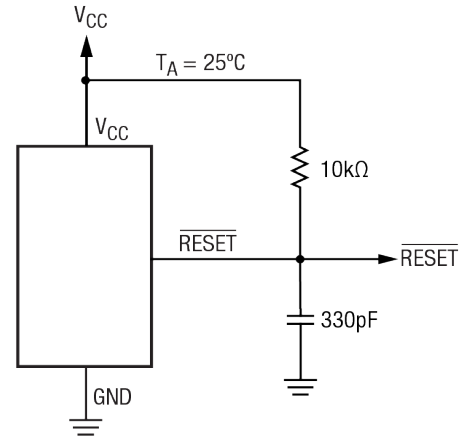
**Figure 8: SP706 RESET Output Voltage vs. Supply Voltage**



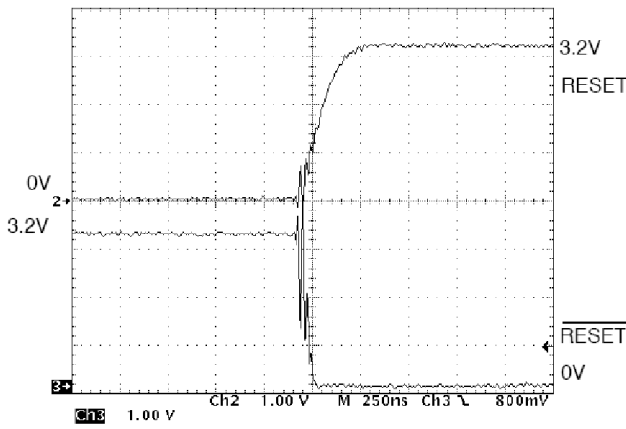
**Figure 9: SP706 RESET Output Voltage vs. Supply Voltage Circuit**



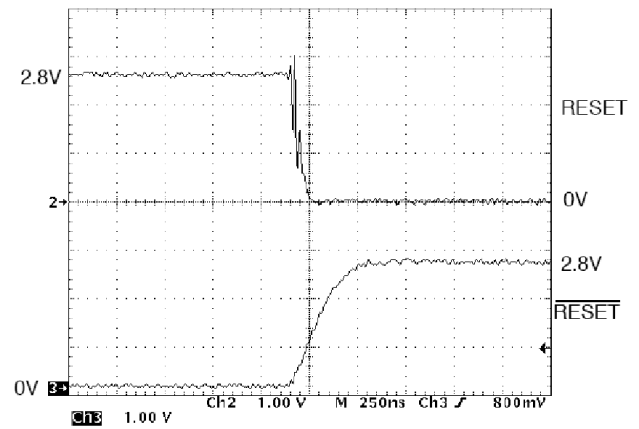
**Figure 10: SP706 RESET Response Time**



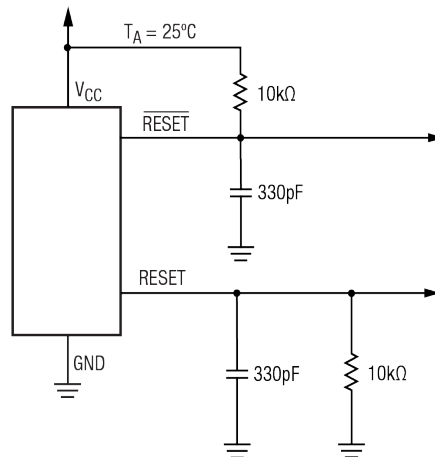
**Figure 11: SP706 RESET Response Time Circuit**



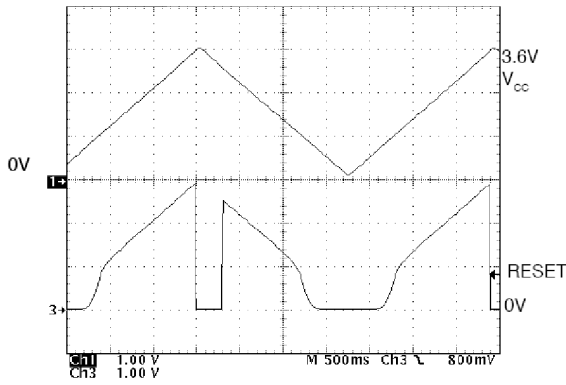
**Figure 12: SP708 RESET and RESET Assertion**



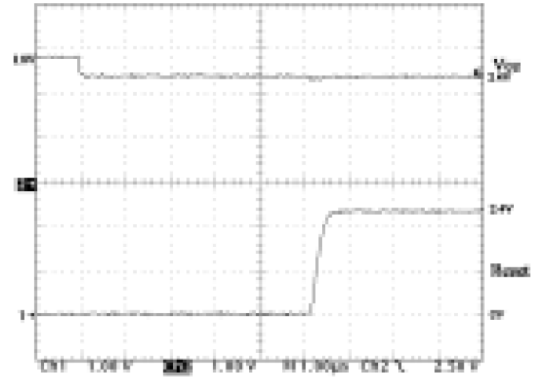
**Figure 13: SP708 RESET and RESET De-Assertion**



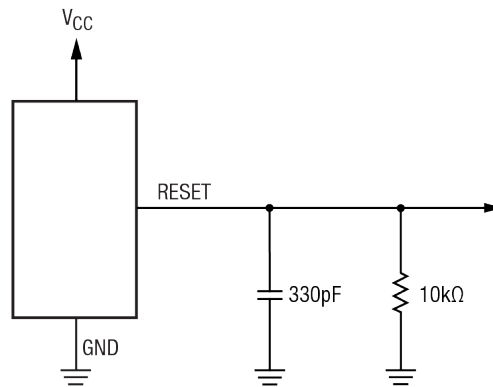
**Figure 14: SP708 RESET and RESET Assertion and De-Assertion Circuit**



**Figure 15: SP708 RESET Output Voltage vs. Supply Voltage**



**Figure 16: SP708 RESET Response Time**



**Figure 17: SP708 RESET Output Voltage vs. Supply Voltage and RESET Response Time Circuit**

## Features

The SP706R/S/T and SP708S/T series provides four key functions:

1. A reset output during power-up, power-down and brownout conditions.
2. An independent watchdog output that goes LOW if the watchdog input has not been toggled within 1.6 seconds.
3. A 1.25V threshold detector for power-fail warning, low battery detection, or monitoring a power supply other than +3.3V / +3.0V.
4. An active-LOW manual-reset that allows RESET to be triggered by a pushbutton switch.

The SP706S/T devices are the same as the SP708S/T devices except for the active-HIGH RESET substitution of the watchdog timer.

## Theory of Operation

The SP706R/S/T - SP708S/T series is a microprocessor ( $\mu\text{P}$ ) supervisory circuit that monitors the power supplied to digital circuits such as microprocessors, microcontrollers or memory. The series is an ideal solution for portable, battery-powered equipment that requires power supply monitoring. Implementing this series will reduce the number of components and overall complexity. The watchdog functions of this product family will continuously oversee the operational status of a system. The operational features and benefits of the SP706R/S/T - SP708S/T series are described in more detail below.

## RESET Output

A microprocessor's reset input starts the  $\mu\text{P}$  in a known state. The SP706R/S/T - SP708S/T series asserts reset during power-up and prevents code execution errors during power down or brownout conditions.

On power-up, once  $V_{\text{CC}}$  reaches 1V, RESET is a guaranteed logic LOW of 0.4V or less. As  $V_{\text{CC}}$  rises, RESET stays LOW. When  $V_{\text{CC}}$  rises above the reset threshold, an internal timer releases RESET after 200ms. RESET pulses LOW whenever  $V_{\text{CC}}$  dips below the reset threshold, such as in a brownout condition. When a brownout condition occurs in the middle of a previously initiated reset pulse, the pulse continues for at least another 140ms. On power down, once  $V_{\text{CC}}$  falls below the reset threshold, RESET stays LOW and is guaranteed to

be 0.4V or less until  $V_{\text{CC}}$  drops below 1V.

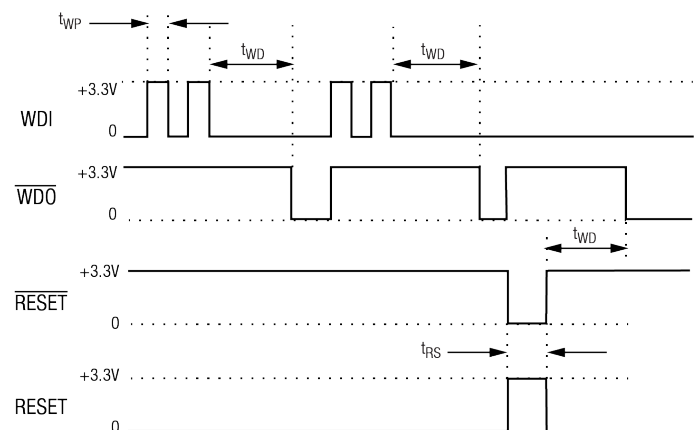
The active-HIGH RESET output is simply the complement of the RESET output and is guaranteed to be valid with  $V_{\text{CC}}$  down to 1.1V. Some  $\mu\text{Ps}$ , such as Intel's 80C51, require an active-HIGH reset pulse.

## Watchdog Timer

The SP706R/S/T - SP708S/T watchdog circuit monitors the  $\mu\text{P}$ 's activity. If the  $\mu\text{P}$  does not toggle the watchdog input (WDI) within 1.6 seconds and WDI is not tri-stated,  $\overline{\text{WDO}}$  goes LOW. As long as RESET is asserted or the WDI input is tri-stated, the watchdog timer will stay cleared and will not count. As soon as RESET is released and WDI is driven HIGH or LOW, the timer will start counting. Pulses as short as 50ns can be detected.

Typically,  $\overline{\text{WDO}}$  will be connected to the non-maskable interrupt input (NMI) of a  $\mu\text{P}$ . When  $V_{\text{CC}}$  drops below the reset threshold,  $\overline{\text{WDO}}$  will go LOW whether or not the watchdog timer had timed out. Normally this would trigger an NMI but RESET goes LOW simultaneously and thus overrides the NMI.

If WDI is left unconnected,  $\overline{\text{WDO}}$  can be used as a low-line output. Since floating WDI disables the internal timer,  $\overline{\text{WDO}}$  goes LOW only when  $V_{\text{CC}}$  falls below the reset threshold, thus functioning as a low-line output.



**Figure 18: Watchdog Timing Waveforms**

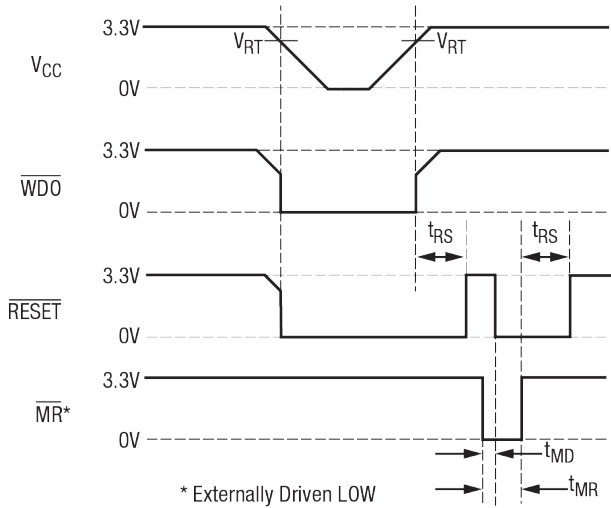


Figure 19: Timing Diagrams with WDI tri-stated

## Power-Fail Comparator

The power-fail comparator can be used for various purposes because its output and non inverting input are not internally connected. The inverting input is internally connected to a 1.25V reference.

To build an early-warning circuit for power failure, connect the PFI pin to a voltage divider as shown in Figure 20. Choose the voltage divider ratio so that the voltage at PFI falls below 1.25V just before the +5V regulator drops out. Use PFO to interrupt the  $\mu$ P so it can prepare for an orderly power-down.

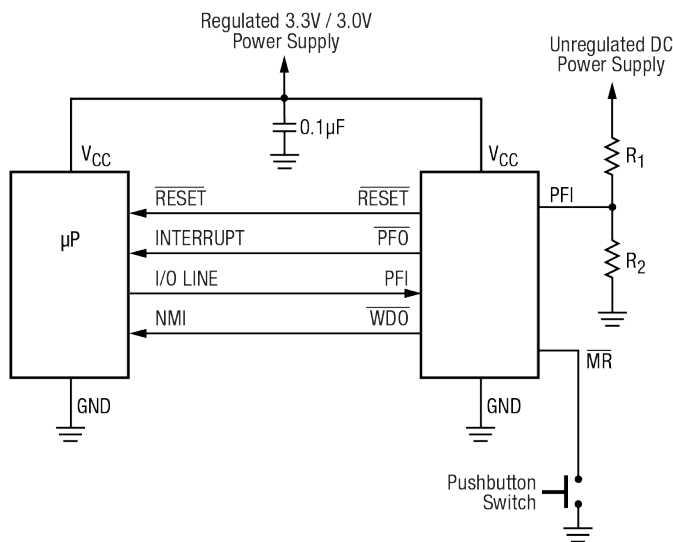


Figure 20: Typical Operating Circuit

## Manual Reset

The manual-reset input ( $\overline{MR}$ ) allows RESET to be triggered by a pushbutton switch. The switch is effectively debounced by the 140ms minimum RESET pulse width.  $\overline{MR}$  is TTL/CMOS logic compatible, so it can be driven by an external logic line.  $\overline{MR}$  can be used to force a watchdog timeout to generate a RESET pulse in the SP706R/S/T-SP708S/T. Simply connect WDO to  $\overline{MR}$ .

## Ensuring a Valid Reset Output Down to V<sub>CC</sub> = 0V

When V<sub>CC</sub> falls below 1V, the RESET output no longer sinks current, it becomes an open circuit. High-impedance CMOS logic inputs can drift to undetermined voltages if left undriven. If a pull-down resistor is added to the RESET pin, any stray charge or leakage currents will be shunted to ground, holding RESET LOW. The resistor value is not critical. It should be about 100k $\Omega$ , large enough not to load RESET and small enough to pull RESET to ground.

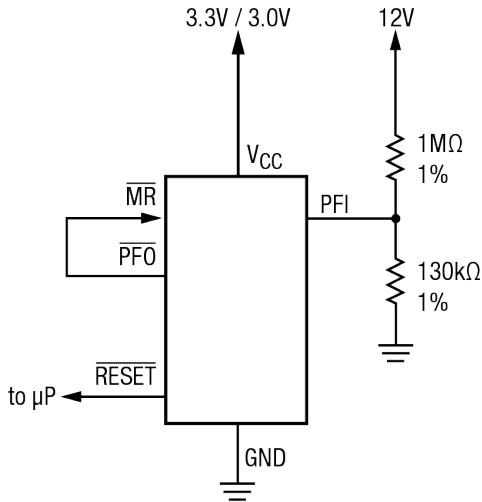
## Monitoring Voltages Other Than the Unregulated DC Input

Monitor voltages other than the unregulated DC by connecting a voltage divider to PFI and adjusting the ratio appropriately. If required, add hysteresis by connecting a resistor (with a value approximately 10 times the sum of the two resistors in the potential divider network) between PFI and PFO. A capacitor between PFI and GND will reduce the power-fail circuit's sensitivity to high-frequency noise on the line being monitored. RESET can be used to monitor voltages other than the +3.3V / +3.0V V<sub>CC</sub> line. Connect  $\overline{PFO}$  to  $\overline{MR}$  to initiate a RESET pulse when PFI drops below 1.25V. Figure 21 shows the SP706R/S/T - SP708S/T series configured to assert RESET when the +3.3V / 3.0V supply falls below the RESET threshold, or when the +12V supply falls below approximately 11V.

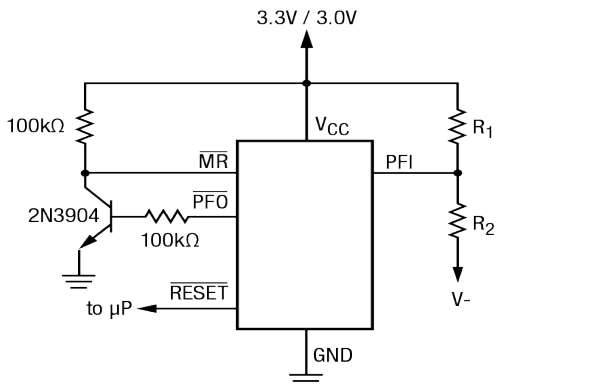
## Monitoring a Negative Voltage Supply

The power-fail comparator can also monitor a negative supply rail, shown in Figure 22. When the negative rail is good (a negative voltage of large magnitude), PFO is LOW. By adding the resistors and transistor as shown, a HIGH PFO triggers RESET. As long as PFO remains HIGH, the

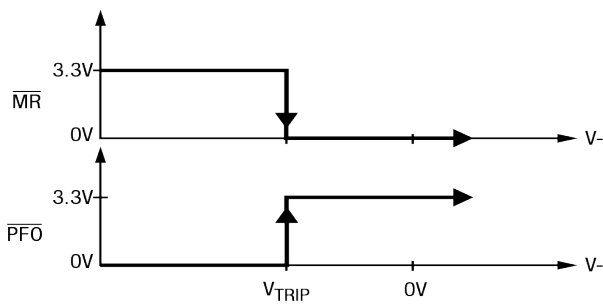
SP706R/S/T - SP708S/T series will keep RESET asserted (where  $\overline{RESET}$  = LOW and RESET = HIGH). Note that this circuit's accuracy depends on the PFI threshold tolerance, the  $V_{CC}$  line, and the resistors.



**Figure 21: Monitoring +3.3V / +3.0V and +12V Power Supplies**



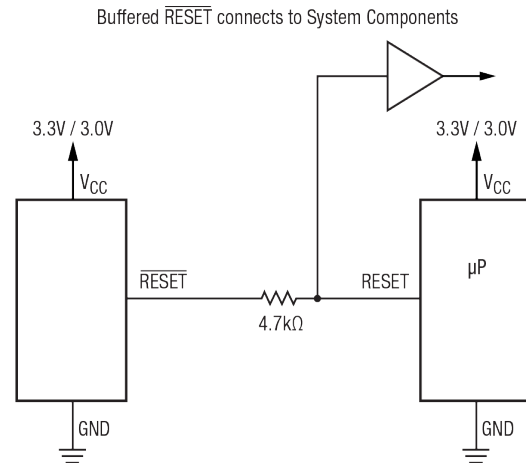
$$\frac{R_1}{R_2} = \frac{V_{CC} - 1.25}{1.25 - V_{TRIP}}, V_{TRIP} < 0$$



**Figure 22: Monitoring a Negative Voltage Supply**

## Interfacing to $\mu$ Ps with Bidirectional Reset Pins

$\mu$ Ps with bidirectional RESET pins, such as the Motorola 68HC11 series, can contend with the SP706/708 RESET output. If, for example, the RESET output is driven HIGH and the  $\mu$ P wants to pull it LOW, indeterminate logic levels may result. To correct this, connect a 4.7k $\Omega$  resistor between the RESET output and the  $\mu$ P reset I/O, as shown in Figure 23. Buffer the RESET output to other system components.



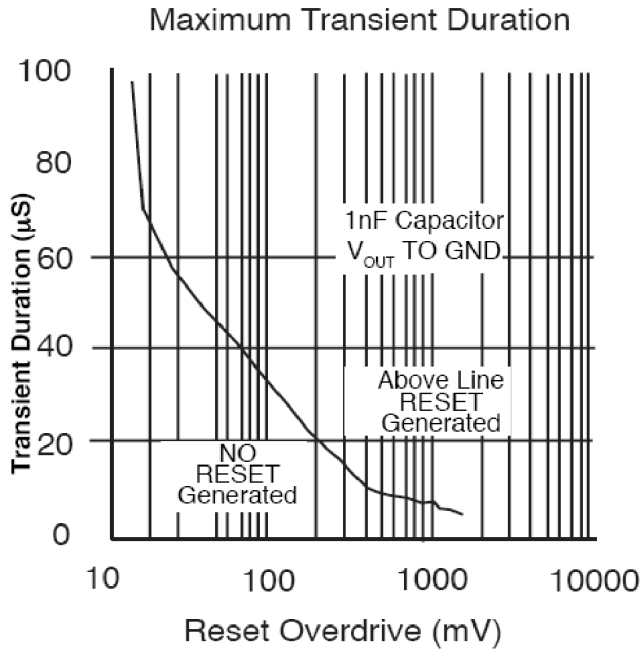
**Figure 23: Interfacing to Microprocessors with Bidirectional RESET I/O (SP706)**

## Negative-Going $V_{CC}$ Transient

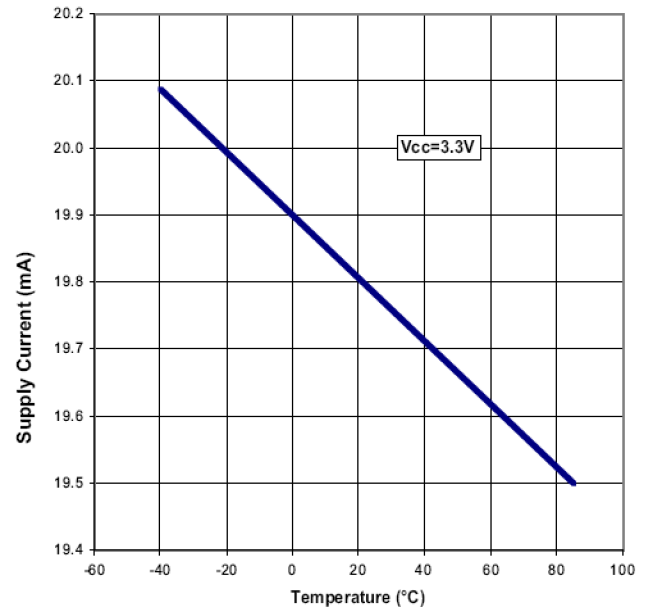
While issuing resets to the  $\mu$ P during power-up, power-down and brownout conditions, these supervisors are relatively immune to short duration negative-going  $V_{CC}$  transients (glitches). It is usually undesirable to reset the  $\mu$ P when  $V_{CC}$  experiences only small glitches.

Figure 24 shows maximum transient duration vs. reset-comparator overdrive, for which reset pulses are not generated. The data was generated using negative-going  $V_{CC}$  pulses, starting at 3.3V and ending below the reset threshold by the magnitude indicated (reset comparator overdrive). The graph shows the maximum pulse width a negative-going  $V_{CC}$  transient may typically have without causing a reset pulse to be issued. As the amplitude of the transient increases (i.e. goes farther below the reset threshold), the maximum allowable pulse width decreases. Typically, a  $V_{CC}$  transient that goes 100mV below the reset threshold and lasts for 40 $\mu$ s or less will not cause a reset pulse to be issued. A 100nF bypass capacitor mounted close to the  $V_{CC}$  pin provides additional transient immunity.





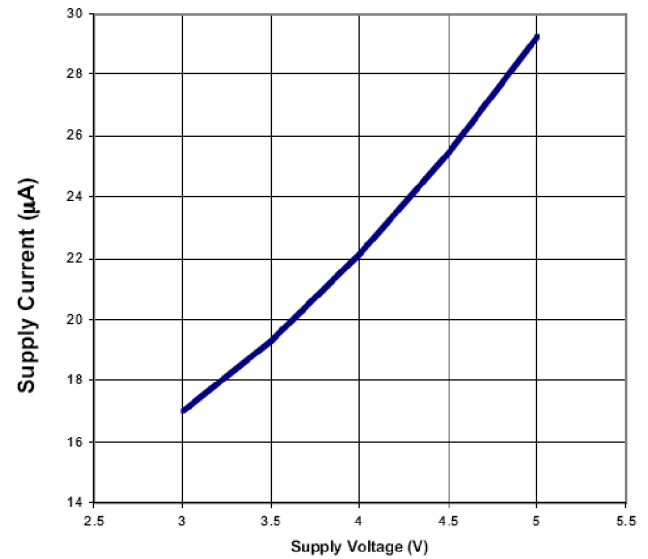
**Figure 24:** Maximum Transient Duration without Causing a Reset Pulse vs. Reset Comparator Overdrive



**Figure 25:** Supply Current vs. Temperature

## Applications

The SP706R/S/T - SP708S/T series offers unmatched performance and the lowest power consumption for these industry standard devices. Refer to [Figure 25](#) and [Figure 26](#) for supply current performance characteristics rated against temperature and supply voltages.

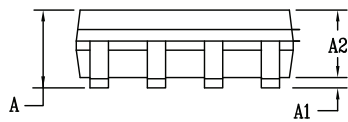
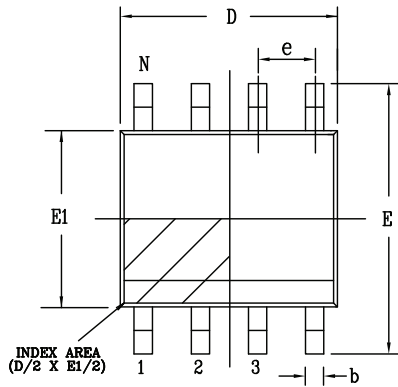


**Figure 26:** Supply Current vs. Supply Voltage

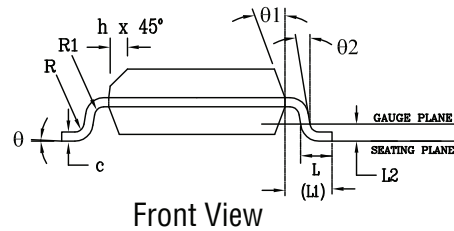
# Mechanical Dimensions

## NSOIC8

Top View



Side View



Front View

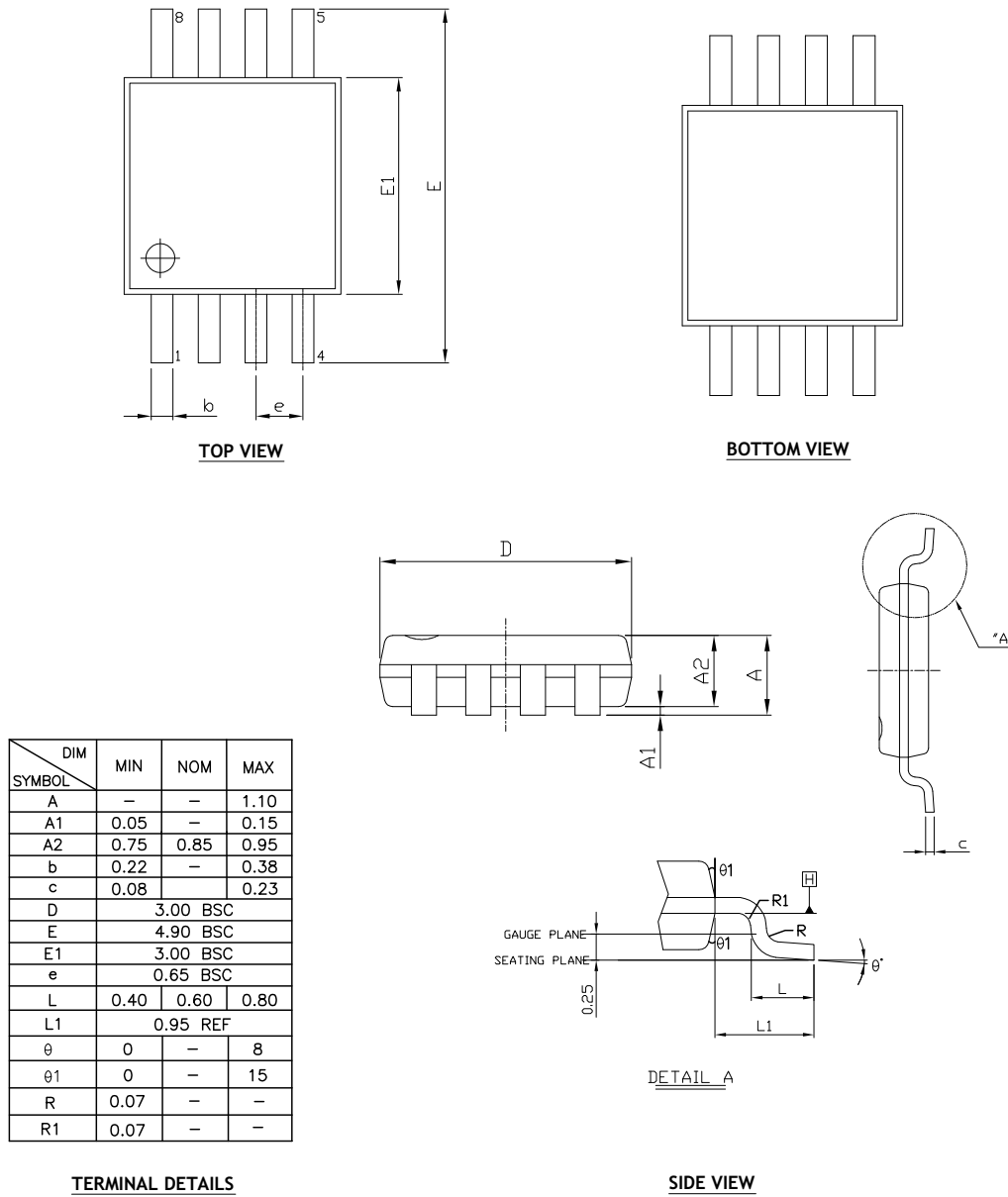
PACKAGE OUTLINE NSOIC .150" BODY JEDEC MS-012 VARIATION AA						
SYMBOLS	COMMON DIMENSIONS IN MM (Control Unit)			COMMON DIMENSIONS IN INCH (Reference Unit)		
	MIN	NOM	MAX	MIN	NOM	MAX
A	1.35	—	1.75	0.053	—	0.069
A1	0.10	—	0.25	0.004	—	0.010
A2	1.25	—	1.65	0.049	—	0.065
b	0.31	—	0.51	0.012	—	0.020
c	0.17	—	0.25	0.007	—	0.010
E	6.00 BSC			0.236 BSC		
E1	3.90 BSC			0.154 BSC		
e	1.27 BSC			0.050 BSC		
h	0.25	—	0.50	0.010	—	0.020
L	0.40	—	1.27	0.016	—	0.050
L1	1.04 REF			0.041 REF		
L2	0.25 BSC			0.010 BSC		
R	0.07	—	—	0.003	—	—
R1	0.07	—	—	0.003	—	—
q	0°	—	8°	0°	—	8°
q1	5°	—	15°	5°	—	15°
q2	0°	—	—	0°	—	—
D	4.90 BSC			0.193 BSC		
N	8					

Drawing No: POD-00000108  
Revision: A

Figure 27: Mechanical Dimensions, NSOIC8

# Mechanical Dimensions

## MSOP8



- ALL DIMENSIONS ARE IN MILLIMETERS, ANGLES ARE IN DEGREES.
- DIMENSIONS AND TOLERANCE PER JEDEC MD-187F.

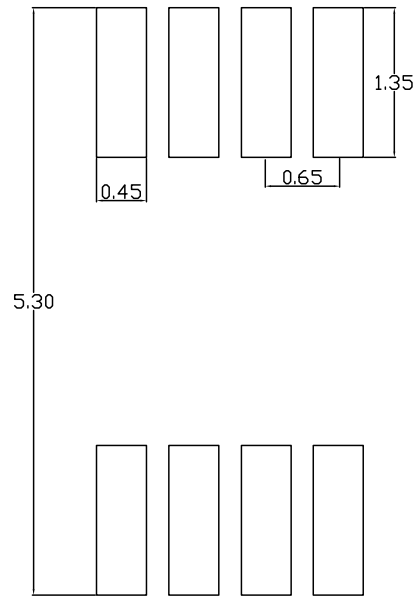
Drawing No.: POD-00000127

Revision: B

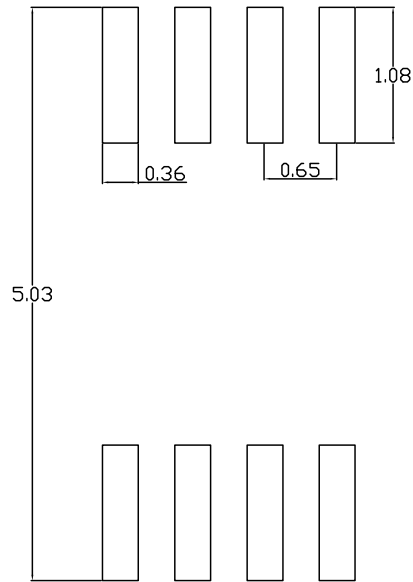
**Figure 28: Mechanical Dimensions, MSOP8**

# Recommended Land Pattern and Stencil

## MSOP8



TYPICAL RECOMMENDED LAND PATTERN



TYPICAL RECOMMENDED STENCIL

Drawing No.: POD-00000127

Revision: B

**Figure 29: Recommended Land Pattern and Stencil, MSOP8**

## Ordering Information

**Table 5: Ordering Information<sup>(1)</sup>**

Ordering Part Number	Operating Temperature Range	Lead-Free	Package	Packaging Method
SP706R/S/T				
SP706RCN-L/TR	$0^{\circ}\text{C} \leq T_A \leq 70^{\circ}\text{C}$	Yes <sup>(2)</sup>	NSOIC8	Tape and Reel
SP706REN-L/TR	$-40^{\circ}\text{C} \leq T_A \leq 85^{\circ}\text{C}$		MSOP8	
SP706SCU-L/TR	$0^{\circ}\text{C} \leq T_A \leq 70^{\circ}\text{C}$		NSOIC8	
SP706SEN-L/TR	$-40^{\circ}\text{C} \leq T_A \leq 85^{\circ}\text{C}$		MSOP8	
SP706TCN-L/TR	$0^{\circ}\text{C} \leq T_A \leq 70^{\circ}\text{C}$			
SP706TEN-L/TR	$-40^{\circ}\text{C} \leq T_A \leq 85^{\circ}\text{C}$			
SP706TEU-L/TR				
SP708S/T				
SP708SEN-L/TR	$-40^{\circ}\text{C} \leq T_A \leq 85^{\circ}\text{C}$	Yes <sup>(2)</sup>	NSOIC8	Tape and Reel
SP708TEN-L/TR				

1. Refer to [www.maxlinear.com/SP706R](http://www.maxlinear.com/SP706R), [www.maxlinear.com/SP706S](http://www.maxlinear.com/SP706S), [www.maxlinear.com/SP706T](http://www.maxlinear.com/SP706T), [www.maxlinear.com/SP708S](http://www.maxlinear.com/SP708S), and [www.maxlinear.com/SP708T](http://www.maxlinear.com/SP708T) for most up-to-date Ordering Information.

2. Visit [www.maxlinear.com](http://www.maxlinear.com) for additional information on Environmental Rating.