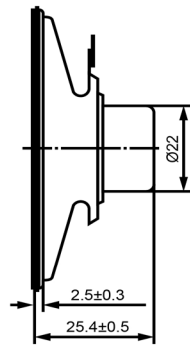
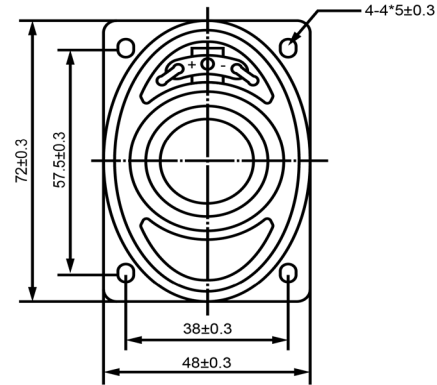




SIDE VIEW



BOTTOM VIEW



Specifications			Notes	Revision History					
Description	Value	Unit		Version	Description	Date	Approved		
Shape	Rectangle		1) All dimensions are in mm unless otherwise noted 2) All parts meet RoHS	1	Released from Engineering	10/21/2013	J.S		
Resonant Frequency	340	(Hz)							
Frequency Range	340 ~ 18,000	(Hz)							
SPL @ 10cm	81	(dBA)							
Impedance	8	(Ohm)							
Cone Material	Paper								
Nominal Power	1	(W)							
Max Power	2	(W)							
Mount Type	Frame								
Operating Temperature	-25 ~ +55	°C							
Storage Temperature	-25 ~ +55	°C							
Weight	48	(g)							
						Drawn by Date Checked by Date Approved by Date			
						A.B.		10/21/2013	C.E.
			Dynamic Speaker			SP720308-1			