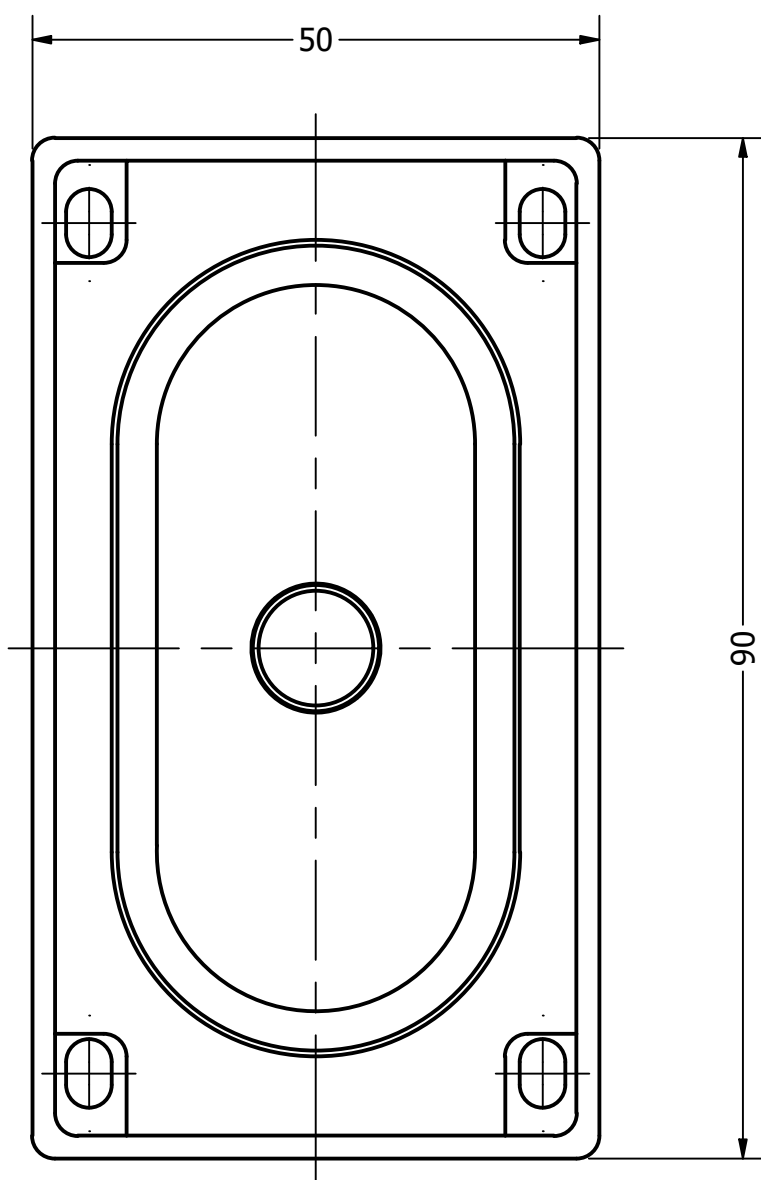
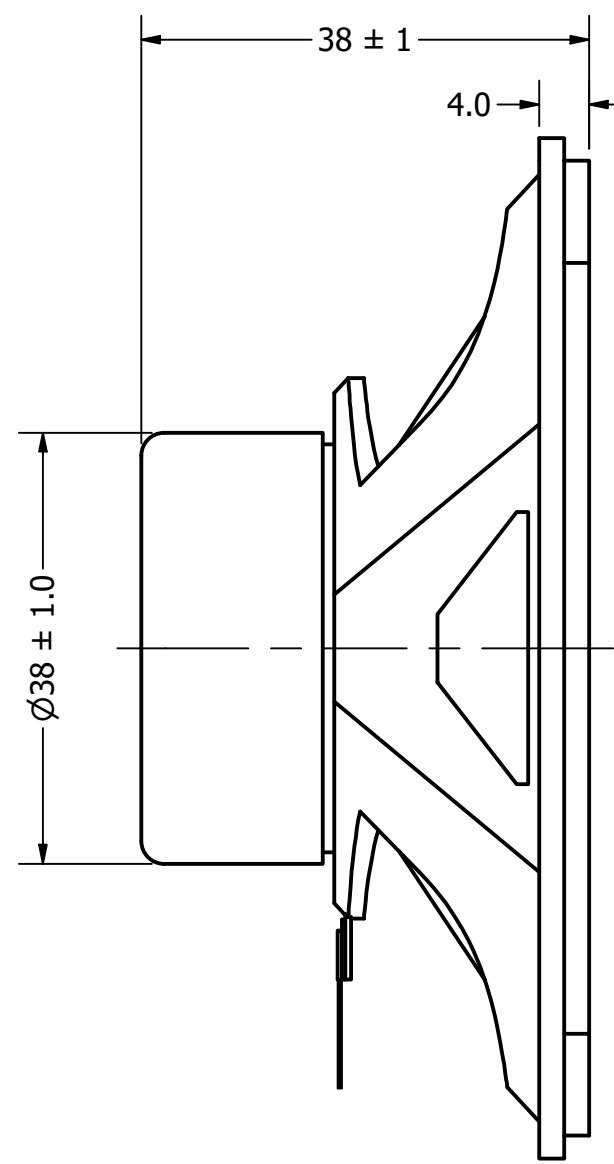


Part Number:	SP900204-2	
DESCRIPTION:	Dynamic Speaker	
DRAWN	CJ	11/30/2021
CHECKED	P.D.	12/1/2021
APPROVED	J.S.	12/1/2021
This document contains data proprietary to DB Unlimited. Any use or reproduction, in any form, without prior written permission of DB Unlimited is prohibited. All terms and conditions can be found at www.dbunlimitedco.com		

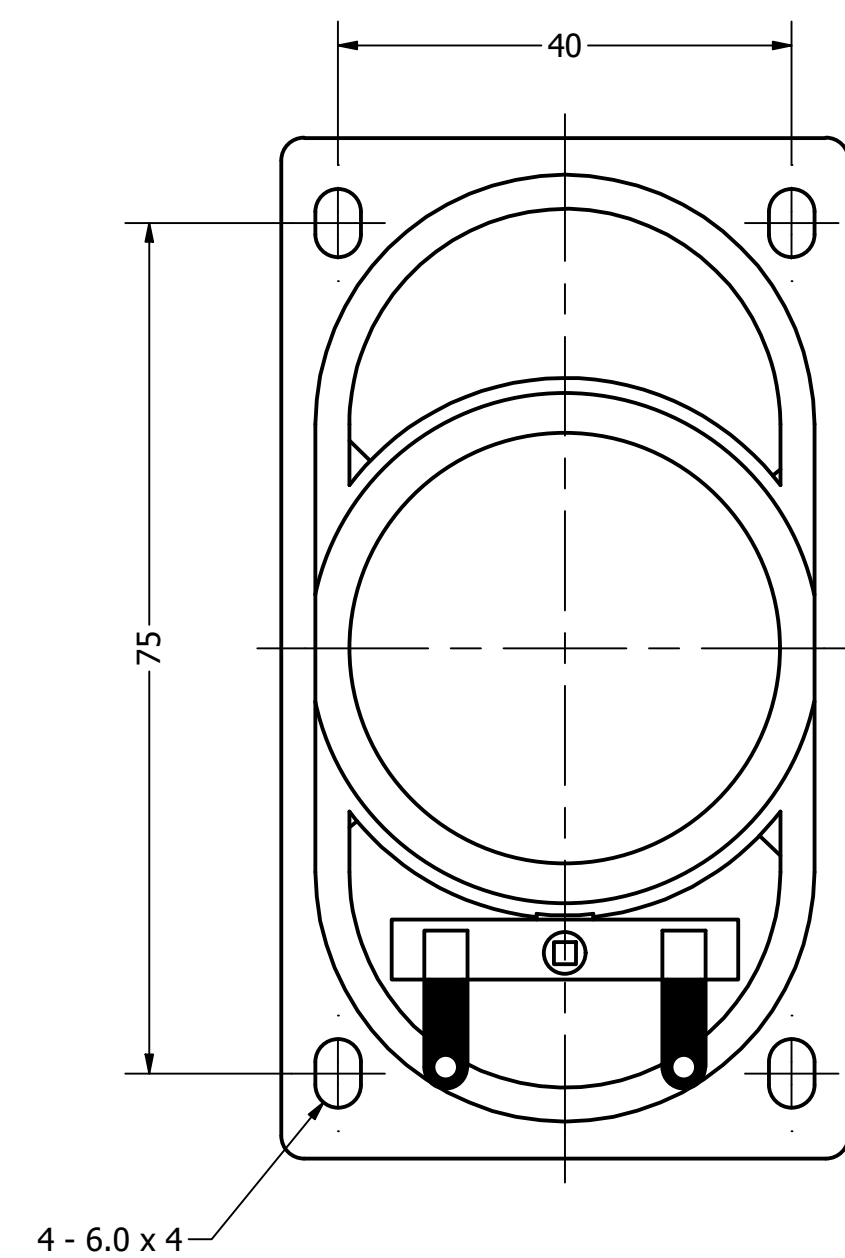
Top View



Side View



Bottom View



Items	Specifications	Conditions
Sound Pressure Level	99 ± 3	dB (@ 1W/10cm), Avg.
Resonant Frequency	200	Hz
Frequency Range	200 ~ 15,000	Hz
Nominal Power	3	W
Max. Power	5	W
Impedance	4	Ω
Cone Material	Paper	
Mount Type	Frame Mount	
Storage Temperature	-30 ~ +70	°C
Operating Temperature	-20 ~ +60	°C
Weight	90	g

REVISION HISTORY			
REV	DESCRIPTION	DATE	APPROVED
	Released from Engineering	12/1/2021	J.S.

NOTES			
1) All dimensions are in mm unless otherwise noted			
2) All tolerances are ± 0.5 mm unless otherwise noted			
3) All parts meet RoHS			
4) Subject to change or redrawn without notice			