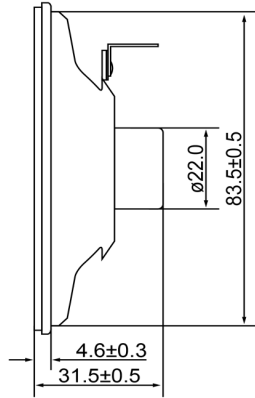
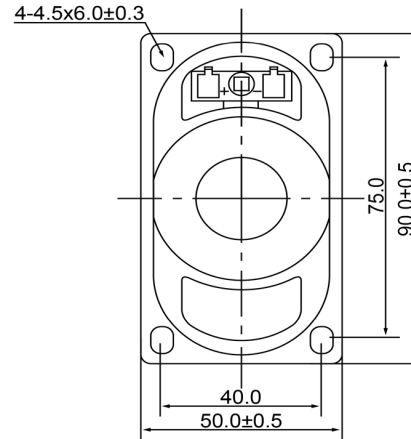




SIDE VIEW



BOTTOM VIEW



Specifications			Notes	Revision History							
Description	Value	Unit		Version	Description		Date	Approved			
Shape	Rectangle		1) All dimensions are in mm unless otherwise noted 2) All parts meet RoHS	1	Released from Engineering		10/21/2013	J.S			
Resonant Frequency	200	(Hz)									
Frequency Range	200 ~ 20,000	(Hz)									
SPL @ 10cm	80	(dBA)									
Impedance	16	(Ohm)									
Cone Material	Paper										
Nominal Power	3	(W)									
Max Power	5	(W)									
Mount Type	Frame										
Operating Temperature	-20 ~ +55	°C									
Storage Temperature	-20 ~ +55	°C									
Weight	57	(g)									
 DB UNLIMITED			 DB UNLIMITED			Dynamic Speaker			SP900216-1		

Additional considerations can be found at www.dbunlimitedco.com/technical-articles.