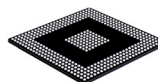




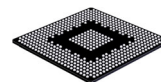
## MPC5674F

# MPC5674F Microcontroller Data Sheet

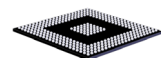
Covers: MPC5674F and MPC5673F



TEPBGA-416  
27mm x 27mm



TEPBGA-516  
27mm x 27mm



TEPBGA-324  
23mm x 23mm

- Dual issue, 32-bit CPU core complex (e200z7)
  - Compliant with the Power Architecture<sup>®</sup> embedded category
  - 16 KB I-Cache and 16 KB D-Cache
  - Includes an instruction set enhancement allowing variable length encoding (VLE), optional encoding of mixed 16-bit and 32-bit instructions, for code size footprint reduction
  - Includes signal processing extension (SPE2) instruction support for digital signal processing (DSP) and single-precision floating point operations
- 4 MB on-chip flash
  - Supports read during program and erase operations, and multiple blocks allowing EEPROM emulation
- 256 KB on-chip general-purpose SRAM including 32 KB of standby RAM
- Two direct memory access controller (eDMA2) blocks
  - One supporting 64 channels
  - One supporting 32 channels
- Interrupt controller (INTC)
- Frequency modulated phase-locked loop (FMPLL)
- Crossbar switch architecture for concurrent access to peripherals, flash, or RAM from multiple bus masters
- External bus interface (EBI) for calibration and application development (not available on all packages)
- System integration unit (SIU)
- Error correction status module (ECSM)
- Boot assist module (BAM) supports serial bootload via CAN or SCI
- Two second-generation enhanced time processor units (eTPU2) that share code and data RAM.
  - 32 standard channels per eTPU2
  - 24 KB code RAM
  - 6 KB parameter (data) RAM
- Enhanced modular input output system supporting 32 unified channels (eMIOS) with each channel capable of
  - single action, double action, pulse width modulation (PWM) and modulus counter operation
- Four enhanced queued analog-to-digital converters (eQADC)
  - Support for 64 analog channels
  - Includes one absolute reference ADC channel
  - Includes eight decimation filters
- Four deserial serial peripheral interface (DSPI) modules
- Three enhanced serial communication interface (eSCI) modules
- Four controller area network (FlexCAN) modules
- Dual-channel FlexRay controller
- Nexus development interface (NDI) per IEEE-ISTO 5001-2003/5001-2008 standard
- Device and board test support per Joint Test Action Group (JTAG) (IEEE 1149.1)
- On-chip voltage regulator controller regulates supply voltage down to 1.2 V for core logic

NXP reserves the right to change the production detail specifications as may be required to permit improvements in the design of its products.



# Table of Contents

1	Ordering Information	3	4.7.3	LVDS Pad Specifications	35
1.1	Orderable Parts	3	4.8	Oscillator and FMPLL Electrical Characteristics	35
1.2	MPC567xF Family Differences	4	4.9	eQADC Electrical Characteristics	37
2	MPC5674F Blocks	5	4.9.1	ADC Internal Resource Measurements	39
2.1	Block Diagram	5	4.10	C90 Flash Memory Electrical Characteristics	40
3	Pin Assignments	5	4.11	AC Specifications	42
3.1	324-ball TEPBGA Pin Assignments	6	4.11.1	Clocking	42
3.2	416-ball TEPBGA Pin Assignments	9	4.11.2	Pad AC Specifications	44
3.3	516-ball TEPBGA Pin Assignments	14	4.12	AC Timing	45
3.4	Signal Properties and Muxing	19	4.12.1	Generic Timing Diagrams	45
4	Electrical Characteristics	20	4.12.2	Reset and Configuration Pin Timing	46
4.1	Maximum Ratings	20	4.12.3	IEEE 1149.1 Interface Timing	47
4.2	Thermal Characteristics	21	4.12.4	Nexus Timing	50
4.2.1	General Notes for Specifications at Maximum Junction Temperature	23	4.12.5	External Bus Interface (EBI) Timing	53
4.3	EMI (Electromagnetic Interference) Characteristics	24	4.12.6	External Interrupt Timing (IRQ Pin)	57
4.4	ESD Characteristics	25	4.12.7	eTPU Timing	57
4.5	PMC/POR/LVI Electrical Specifications	25	4.12.8	eMIOS Timing	58
4.6	Power Up/Down Sequencing	29	4.12.9	DSPI Timing	59
4.6.1	Power-Up	29	5	Package Information	65
4.6.2	Power-Down	30	5.1	324-Pin Package	66
4.6.3	Power Sequencing and POR Dependent on $V_{DDA}$ 30	30	5.2	416-Pin Package	68
4.7	DC Electrical Specifications	30	5.3	516-Pin Package	70
4.7.1	I/O Pad Current Specifications	33	6	Product Documentation	72
4.7.2	I/O Pad $V_{DD33}$ Current Specifications	34	Appendix A	Signal Properties and Muxing	73
			Appendix B	Revision History	125

# 1 Ordering Information

## 1.1 Orderable Parts

Figure 1 and Table 1 describe and list the orderable part numbers for the MPC5674F.

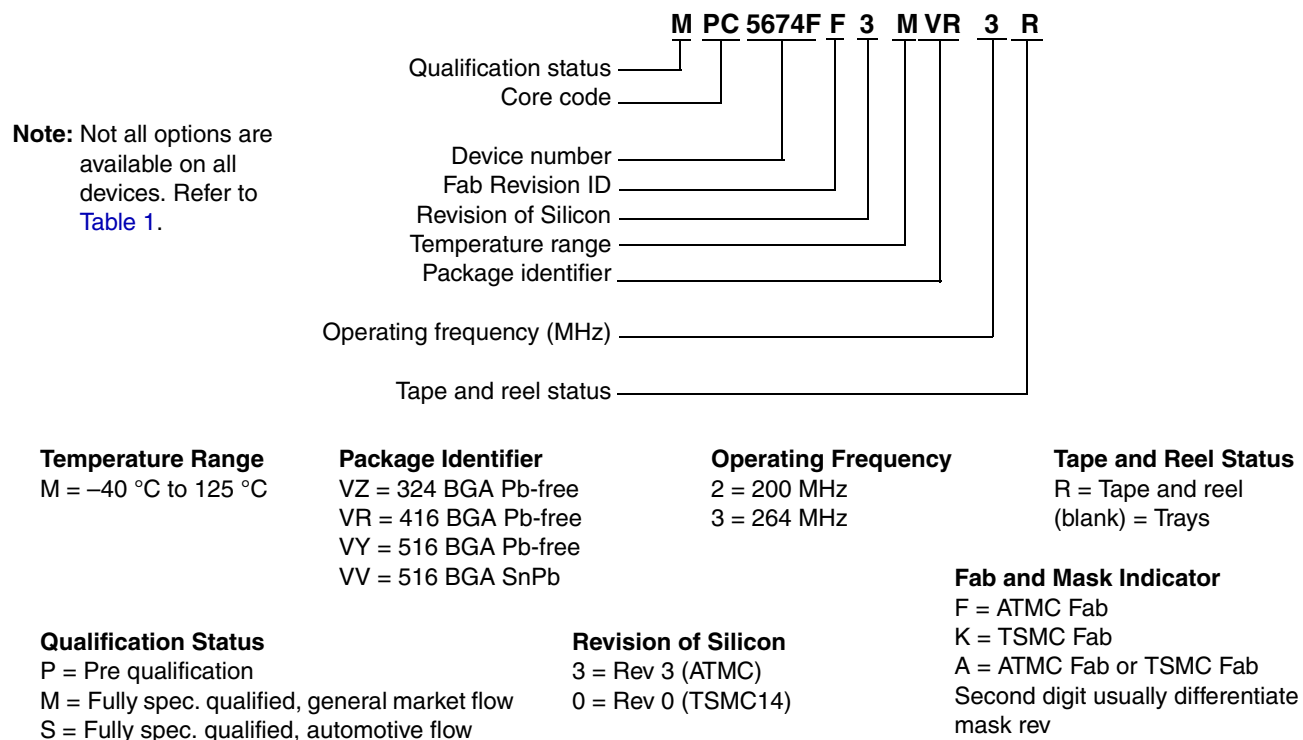


Figure 1. MPC5674F Orderable Part Number Description

Table 1. Orderable Part Numbers

NXP Part Number	Package Description	Speed (MHz) <sup>1</sup>		Operating Temperature <sup>2</sup>	
		Nominal	Max <sup>3</sup> (f <sub>MAX</sub> )	Min (T <sub>L</sub> )	Max (T <sub>H</sub> )
SPC5674FK0MVR3	416 PBGA, no EBI, Pb-free	264	270	-40 °C	125 °C
SPC5674FK0MVG3	516 PBGA, w/EBI, Pb-free	264	270	-40 °C	125 °C
SPC5674FK0MVG3R	516 PBGA, w/EBI, SnPb	264	270	-40 °C	125 °C
SPC5674FK0MVG3	516 PBGA, w/EBI, SnPb	264	200	-40 °C	125 °C
SPC5674FK0MVG3R	516 PBGA, w/EBI, Pb-free	264	270	-40 °C	125 °C
SPC5673FK0MVR2R	416 PBGA, no EBI, Pb-free	200	200	-40 °C	125 °C
SPC5673FK0MVR2	416 PBGA, no EBI, Pb-free	200	200	-40 °C	125 °C
SPC5673FK0MVG2R	324 PBGA, no EBI, Pb-free	200	200	-40 °C	125 °C
SPC5673FK0MVG2	324 PBGA, no EBI, Pb-free	200	200	-40 °C	125 °C
SPC5673FF3MVR2	416 PBGA, no EBI, Pb-free	200	200	-40 °C	125 °C
SPC5673FF3MVR3	416 PBGA, no EBI, Pb-free	200	200	-40 °C	125 °C

Table 1. Orderable Part Numbers (continued)

NXP Part Number	Package Description	Speed (MHz) <sup>1</sup>		Operating Temperature <sup>2</sup>	
		Nominal	Max <sup>3</sup> (f <sub>MAX</sub> )	Min (T <sub>L</sub> )	Max (T <sub>H</sub> )
SPC5673FF3MVB2	516 PBGA, w/EBI, SnPb	264	200	-40 °C	125 °C
SPC5673FF3MVY2	516 PBGA, w/EBI, SnPb	264	200	-40 °C	125 °C
SPC5674FF3MVY3	516 PBGA, w/EBI, SnPb	264	200	-40 °C	125 °C
SPC5674FAMVR3	416 PBGA, no EBI, Pb-free	200	200	-40 °C	125 °C
SPC5674FAMVY3	516 PBGA, w/EBI, SnPb	264	200	-40 °C	125 °C
SPC5674FF3MVR3	416 PBGA, no EBI, Pb-free	200	200	-40 °C	125 °C
SPC5674FF3MVB3	516 PBGA, w/EBI, SnPb	264	200	-40 °C	125 °C

<sup>1</sup> For the operating mode frequency of various blocks on the device, see Table 28.

<sup>2</sup> The lowest ambient operating temperature is referenced by T<sub>L</sub>; the highest ambient operating temperature is referenced by T<sub>H</sub>.

<sup>3</sup> Speed is the nominal maximum frequency. Max speed is the maximum speed allowed including frequency modulation (FM). 270 MHz parts allow for 264 MHz system clock + 2% FM.

## 1.2 MPC567xF Family Differences

Table 2 lists the differences between the MPC567xF devices. Refer to the *MPC5674F Reference Manual* for a full feature list and comparison.

Table 2. MPC567xF Family Differences

Feature	MPC5674F	MPC5674F	MPC5673F	MPC5673F
Package	416 BGA 516 BGA	324 BGA	416 BGA 516 BGA	324 BGA
Flash	4 MB	4 MB	3 MB	3 MB
SRAM	256 KB	256 KB	192 KB	192 KB
External bus	Yes (516 BGA only)	No	Yes (516 BGA only)	No
Serial	3	2	3	2
eSCI_A	Yes	Yes	Yes	Yes
eSCI_B	Yes	Yes	Yes	Yes
eSCI_C	Yes	No	Yes	No
SPI	4	3	4	3
DSPI_A	Yes	No	Yes	No
DSPI_B	Yes	Yes	Yes	Yes
DSPI_C	Yes	Yes	Yes	Yes
DSPI_D	Yes	Yes	Yes	Yes
eMIOS	32 channel	22 channel	32 channel	22 channel
eTPU2	64 channel	47 channel	64 channel	47 channel
eTPU_A	Yes (32 ch)	Yes (26 ch)	Yes	Yes (26 ch)
eTPU_B	Yes (32 ch)	Yes (21 ch, no TCRCLK)	Yes	Yes (21 ch, no TCRCLK)
ADC	64 channel	48 channel	64 channel	48 channel
eQADC_A	Yes (64 ch) <sup>1</sup>	Yes (24 ch)	Yes (64 ch) <sup>1</sup>	Yes (24 ch)
eQADC_B		Yes (24 ch)		Yes (24 ch)

<sup>1</sup> There are two pairs of 24 channels plus 16 shared channels. This gives 64 channels total: 40 per ADC (since 16 are shared).

## 2 MPC5674F Blocks

### 2.1 Block Diagram

Figure 2 shows a top-level block diagram of the MPC5674F device.

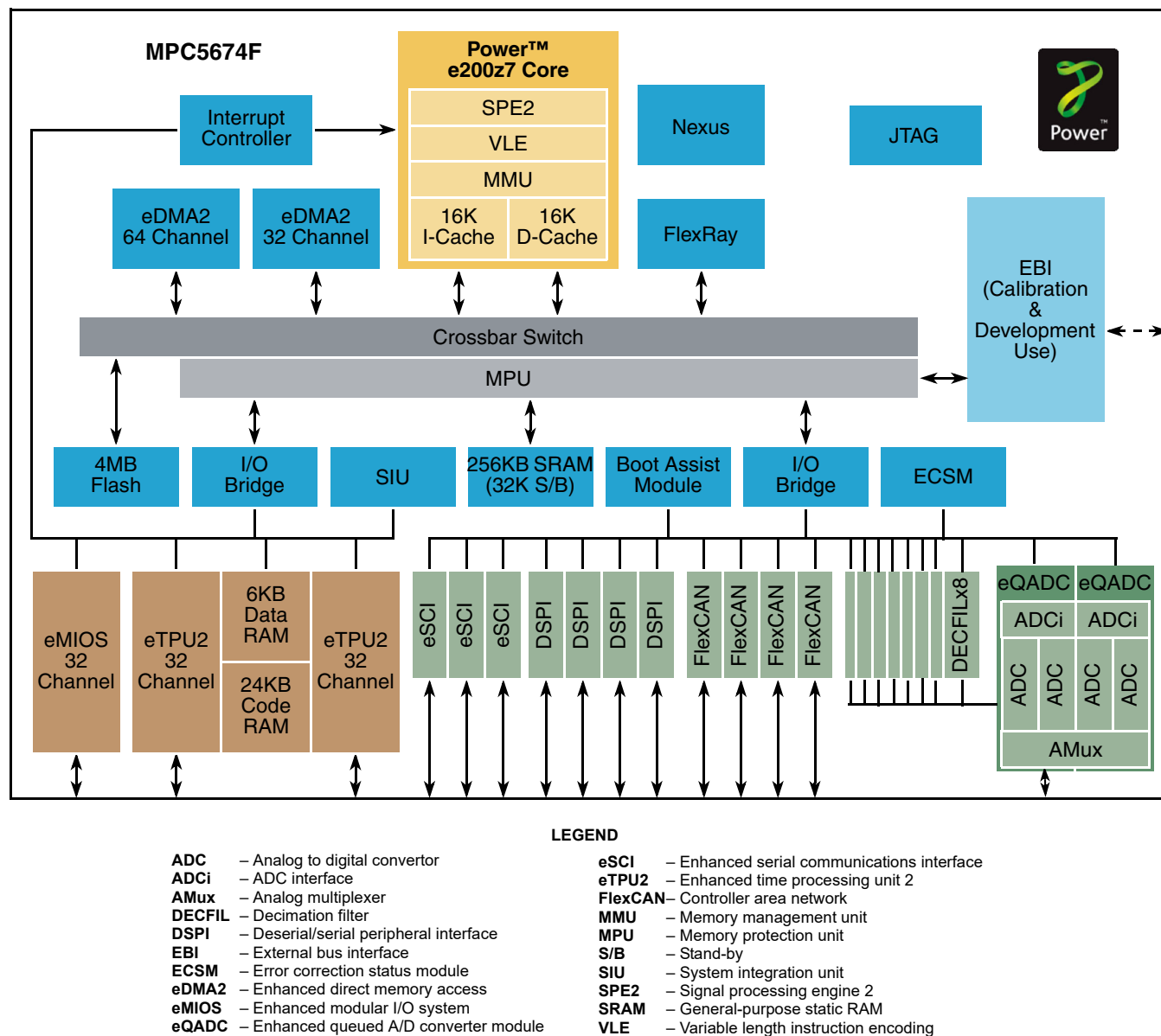


Figure 2. Block Diagram

## 3 Pin Assignments

The figures in this section show the primary pin function. For the full signal properties and muxing table, see [Appendix A, Signal Properties and Muxing](#).

### 3.1 324-ball TEPBGA Pin Assignments

Figure 3 shows the 324-ball TEPBGA pin assignments. The same information is shown in Figure 4 through Figure 5.

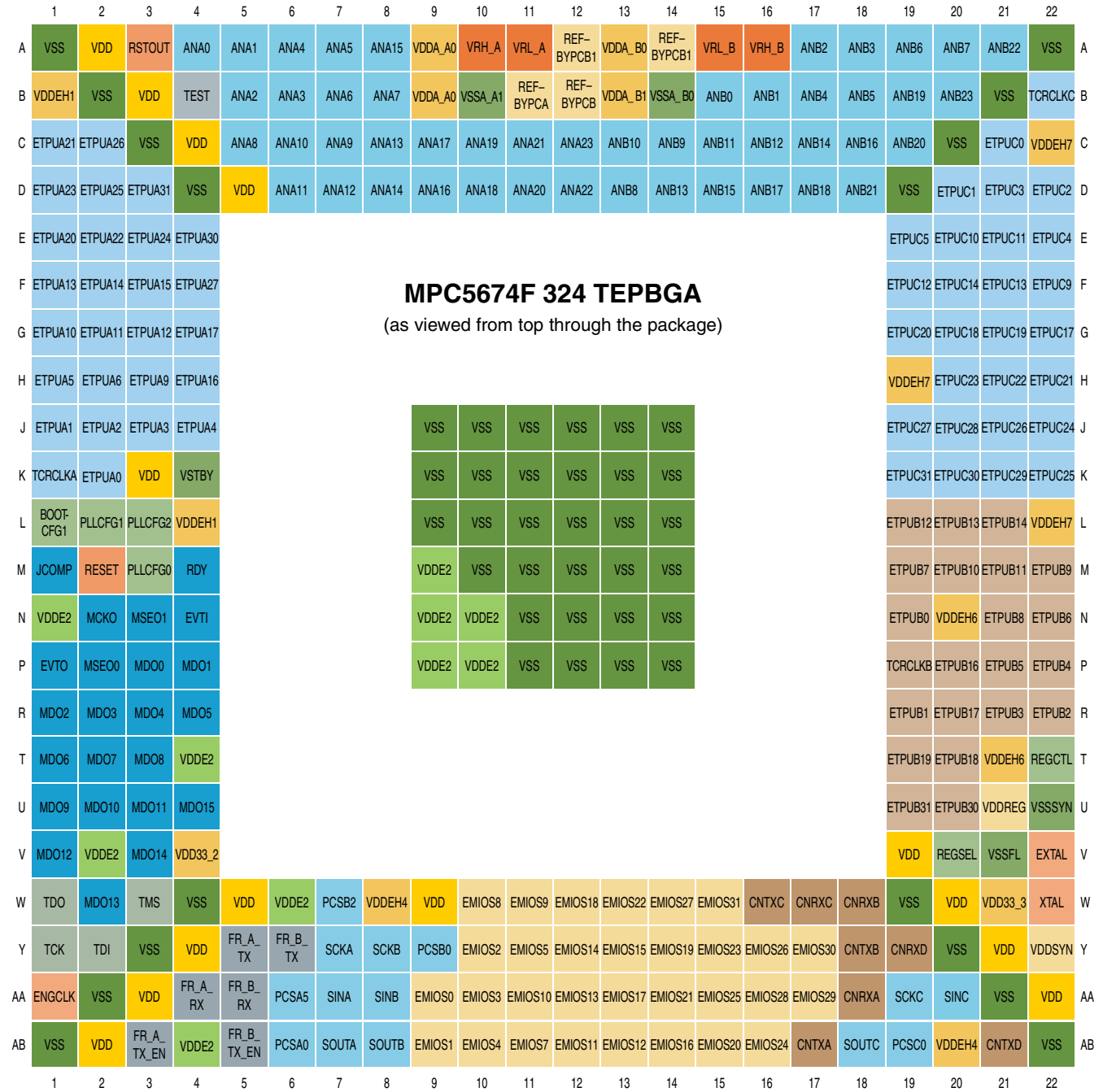


Figure 3. MPC5674F 324-ball TEPBGA (full diagram)

	1	2	3	4	5	6	7	8	9	10	11	
A	VSS	VDD	RSTOUT	ANA0	ANA1	ANA4	ANA5	ANA15	VDDA_A0	VRH_A	VRL_A	A
B	VDDEH1	VSS	VDD	TEST	ANA2	ANA3	ANA6	ANA7	VDDA_A0	VSSA_A1	REF-BYPCA	B
C	ETPUA21	ETPUA26	VSS	VDD	ANA8	ANA10	ANA9	ANA13	ANA17	ANA19	ANA21	C
D	ETPUA23	ETPUA25	ETPUA31	VSS	VDD	ANA11	ANA12	ANA14	ANA16	ANA18	ANA20	D
E	ETPUA20	ETPUA22	ETPUA24	ETPUA30								
F	ETPUA13	ETPUA14	ETPUA15	ETPUA27								
G	ETPUA10	ETPUA11	ETPUA12	ETPUA17								
H	ETPUA5	ETPUA6	ETPUA9	ETPUA16								
J	ETPUA1	ETPUA2	ETPUA3	ETPUA4					VSS	VSS	VSS	J
K	TCRCLKA	ETPUA0	VDD	VSTBY					VSS	VSS	VSS	K
L	BOOT-CFG1	PLLCFG1	PLLCFG2	VDDEH1					VSS	VSS	VSS	L
M	JCOMP	RESET	PLLCFG0	RDY					VDDE2	VSS	VSS	M
N	VDDE2	MCKO	MSEO1	EVT1					VDDE2	VDDE2	VSS	N
P	EVTO	MSEO0	MDO0	MDO1					VDDE2	VDDE2	VSS	P
R	MDO2	MDO3	MDO4	MDO5								
T	MDO6	MDO7	MDO8	VDDE2								
U	MDO9	MDO10	MDO11	MDO15								
V	MDO12	VDDE2	MDO14	VDD33_2								
W	TDO	MDO13	TMS	VSS	VDD	VDDE2	PCSB2	VDDEH4	VDD	EMIOS8	EMIOS9	W
Y	TCK	TDI	VSS	VDD	FR_A_TX	FR_B_TX	SCKA	SCKB	PCSB0	EMIOS2	EMIOS5	Y
AA	ENGCLK	VSS	VDD	FR_A_RX	FR_B_RX	PCSA5	SINA	SINB	EMIOS0	EMIOS3	EMIOS10	AA
AB	VSS	VDD	FR_A_TX_EN	VDDE2	FR_B_TX_EN	PCSA0	SOUTA	SOUTB	EMIOS1	EMIOS4	EMIOS7	AB

**MPC5674F 324 TEPBGA**  
(as viewed from top through the package)

Figure 4. MPC5674F 324-ball TEPBGA (1 of 2)

## Pin Assignments

	12	13	14	15	16	17	18	19	20	21	22	
A	REF-BYPCB1	VDDA_B0	REF-BYPCB1	VRL_B	VRH_B	ANB2	ANB3	ANB6	ANB7	ANB22	VSS	A
B	REF-BYPCB	VDDA_B1	VSSA_B0	ANB0	ANB1	ANB4	ANB5	ANB19	ANB23	VSS	TCRCLKC	B
C	ANA23	ANB10	ANB9	ANB11	ANB12	ANB14	ANB16	ANB20	VSS	ETPUC0	VDDEH7	C
D	ANA22	ANB8	ANB13	ANB15	ANB17	ANB18	ANB21	VSS	ETPUC1	ETPUC3	ETPUC2	D
								ETPUC5	ETPUC10	ETPUC11	ETPUC4	E
								ETPUC12	ETPUC14	ETPUC13	ETPUC9	F
								ETPUC20	ETPUC18	ETPUC19	ETPUC17	G
								VDDEH7	ETPUC23	ETPUC22	ETPUC21	H
								ETPUC27	ETPUC28	ETPUC26	ETPUC24	J
								ETPUC31	ETPUC30	ETPUC29	ETPUC25	K
								ETPUB12	ETPUB13	ETPUB14	VDDEH7	L
								ETPUB7	ETPUB10	ETPUB11	ETPUB9	M
								ETPUB0	VDDEH6	ETPUB8	ETPUB6	N
								TCRCLKB	ETPUB16	ETPUB5	ETPUB4	P
								ETPUB1	ETPUB17	ETPUB3	ETPUB2	R
								ETPUB19	ETPUB18	VDDEH6	REGCTL	T
								ETPUB31	ETPUB30	VDDREG	VSSSYN	U
							VDD	REGSEL	VSSFL	EXTAL		V
W	EMIOS18	EMIOS22	EMIOS27	EMIOS31	CNTXC	CNRXC	CNRXB	VSS	VDD	VDD33_3	XTAL	W
Y	EMIOS14	EMIOS15	EMIOS19	EMIOS23	EMIOS26	EMIOS30	CNTXB	CNRXD	VSS	VDD	VDDSYN	Y
AA	EMIOS13	EMIOS17	EMIOS21	EMIOS25	EMIOS28	EMIOS29	CNRXA	SCKC	SINC	VSS	VDD	AA
AB	EMIOS11	EMIOS12	EMIOS16	EMIOS20	EMIOS24	CNTXA	SOUTC	PCSC0	VDDEH4	CNTXD	VSS	AB

Figure 5. MPC5674F 324-ball TEPBGA (2 of 2)



### 3.2 416-ball TEPBGA Pin Assignments

Figure 6 shows the 416-ball TEPBGA pin assignments in one figure. The same information is shown in Figure 7 through Figure 10.

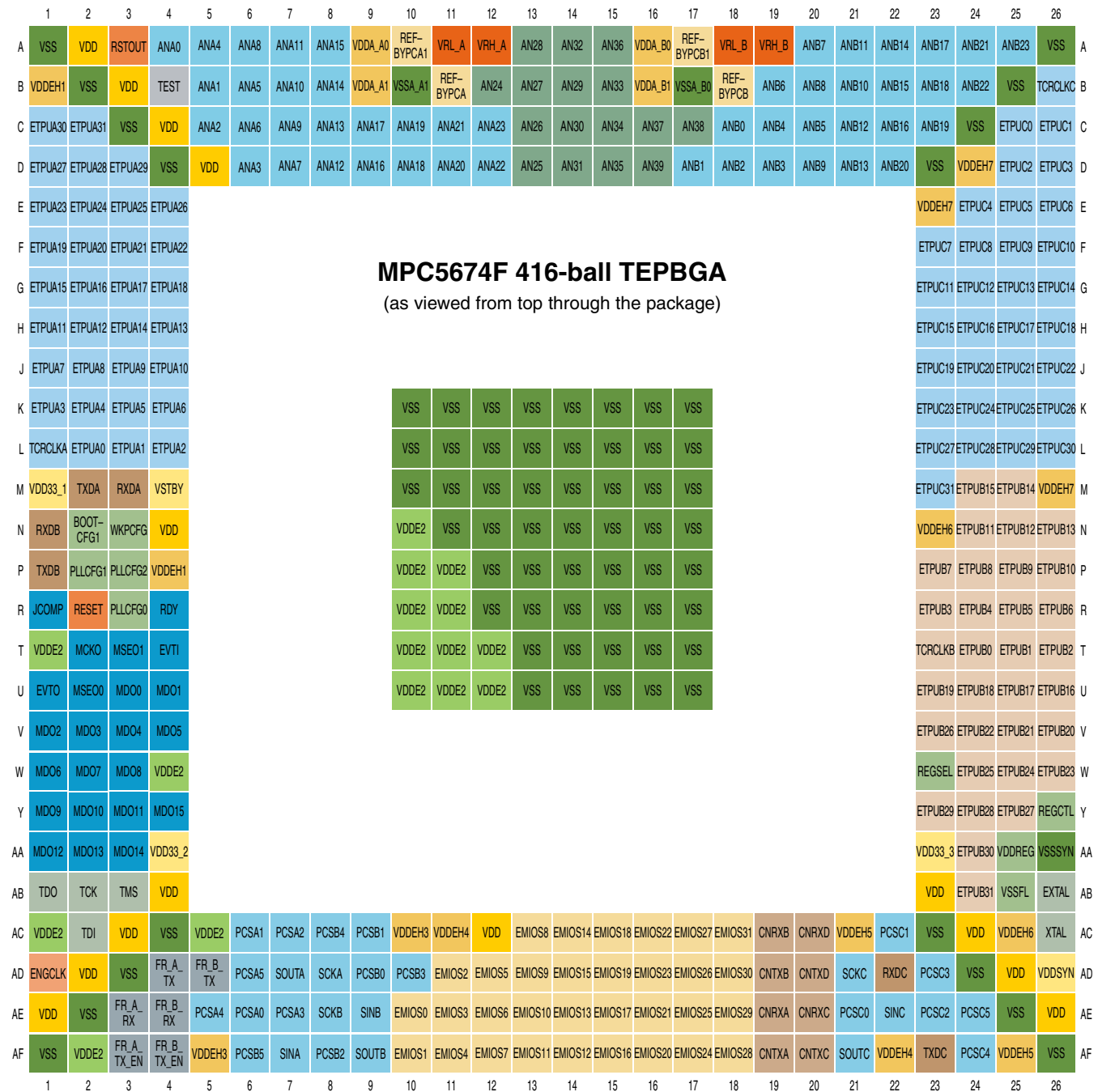


Figure 6. MPC5674F 416-ball TEPBGA (full diagram)

## Pin Assignments

	1	2	3	4	5	6	7	8	9	10	11	12	13	
A	VSS	VDD	RSTOUT	ANA0	ANA4	ANA8	ANA11	ANA15	VDDA_A0	REFBYP-CA1	VRL_A	VRH_A	AN28	A
B	VDDEH1	VSS	VDD	TEST	ANA1	ANA5	ANA10	ANA14	VDDA_A1	VSSA_A1	REFBYPCA	AN24	AN27	B
C	ETPUA30	ETPUA31	VSS	VDD	ANA2	ANA6	ANA9	ANA13	ANA17	ANA19	ANA21	ANA23	AN26	C
D	ETPUA27	ETPUA28	ETPUA29	VSS	VDD	ANA3	ANA7	ANA12	ANA16	ANA18	ANA20	ANA22	AN25	D
E	ETPUA23	ETPUA24	ETPUA25	ETPUA26										E
F	ETPUA19	ETPUA20	ETPUA21	ETPUA22										F
G	ETPUA15	ETPUA16	ETPUA17	ETPUA18										G
H	ETPUA11	ETPUA12	ETPUA14	ETPUA13										H
J	ETPUA7	ETPUA8	ETPUA9	ETPUA10										J
K	ETPUA3	ETPUA4	ETPUA5	ETPUA6						VSS	VSS	VSS	VSS	K
L	TCRCLKA	ETPUA0	ETPUA1	ETPUA2						VSS	VSS	VSS	VSS	L
M	VDD33_1	TXDA	RXDA	VSTBY						VSS	VSS	VSS	VSS	M
N	RXDB	BOOTCFG1	WKPCFG	VDD						VDDE2	VSS	VSS	VSS	N
	1	2	3	4	5	6	7	8	9	10	11	12	13	

**MPC5674F 416-ball TEPBGA**  
(as viewed from top through the package)  
(1 of 4)

**Figure 7. MPC5674F 416-ball TEPBGA (1 of 4)**

	14	15	16	17	18	19	20	21	22	23	24	25	26					
A	AN32	AN36	VDDA_B0	REFBYPCB1	VRL_B	VRH_B	ANB7	ANB11	ANB14	ANB17	ANB21	ANB23	VSS	A				
B	AN29	AN33	VDDA_B1	VSSA_B0	REFBYPCB	ANB6	ANB8	ANB10	ANB15	ANB18	ANB22	VSS	TCRCLKC	B				
C	AN30	AN34	AN37	AN38	ANB0	ANB4	ANB5	ANB12	ANB16	ANB19	VSS	ETPUC0	ETPUC1	C				
D	AN31	AN35	AN39	ANB1	ANB2	ANB3	ANB9	ANB13	ANB20	VSS	VDDEH7	ETPUC2	ETPUC3	D				
E										VDDEH7	ETPUC4	ETPUC5	ETPUC6	E				
F										ETPUC7	ETPUC8	ETPUC9	ETPUC10	F				
G	<p><b>MPC5674F 416-ball TEPBGA</b>                      (as viewed from top through the package)                      (2 of 4)</p>									ETPUC11	ETPUC12	ETPUC13	ETPUC14	G				
H													ETPUC15	ETPUC16	ETPUC17	ETPUC18	H	
J														ETPUC19	ETPUC20	ETPUC21	ETPUC22	J
K					VSS	VSS	VSS	VSS						ETPUC23	ETPUC24	ETPUC25	ETPUC26	K
L	VSS	VSS	VSS	VSS						ETPUC27	ETPUC28	ETPUC29	ETPUC30	L				
M	VSS	VSS	VSS	VSS						ETPUC31	ETPUB15	ETPUB14	VDDEH7	M				
N	VSS	VSS	VSS	VSS						VDDEH6	ETPUB11	ETPUB12	ETPUB13	N				
	14	15	16	17	18	19	20	21	22	23	24	25	26					

Figure 8. MPC5674F 416-ball TEPBGA (2 of 4)

## Pin Assignments

	1	2	3	4	5	6	7	8	9	10	11	12	13	
P	TXDB	PLLCFG1	PLLCFG2	VDDEH1						VDDE2	VDDE2	VSS	VSS	P
R	JCOMP	RESET	PLLCFG0	RDY						VDDE2	VDDE2	VSS	VSS	R
T	VDDE2	MCKO	MSEO1	EVTI						VDDE2	VDDE2	VDDE2	VSS	T
U	EVTO	MSEO0	MDO0	MDO1						VDDE2	VDDE2	VDDE2	VSS	U
V	MDO2	MDO3	MDO4	MDO5										V
W	MDO6	MDO7	MDO8	VDDE2										W
Y	MDO9	MDO10	MDO11	MDO15										Y
AA	MDO12	MDO13	MDO14	VDD33_2										AA
AB	TDO	TCK	TMS	VDD										AB
AC	VDDE2	TDI	VDD	VSS	VDDE2	PCSA1	PCSA2	PCSB4	PCSB1	VDDEH3	VDDEH4	VDD	EMIOS8	AC
AD	ENGCLK	VDD	VSS	FR_A_TX	FR_B_TX	PCSA5	SOUTA	SCKA	PCSB0	PCSB3	EMIOS2	EMIOS5	EMIOS9	AD
AE	VDD	VSS	FR_A_RX	FR_B_RX	PCSA4	PCSA0	PCSA3	SCKB	SINB	EMIOS0	EMIOS3	EMIOS6	EMIOS10	AE
AF	VSS	VDDE2	FR_A_TX_EN	FR_B_TX_EN	VDDEH3	PCSB5	SINA	PCSB2	SOUTB	EMIOS1	EMIOS4	EMIOS7	EMIOS11	AF

**MPC5674F 416-ball TEPBGA**  
(as viewed from top through the package)  
(3 of 4)

**Figure 9. MPC5674F 416-ball TEPBGA (3 of 4)**

	14	15	16	17	18	19	20	21	22	23	24	25	26	
P	VSS	VSS	VSS	VSS						ETPUB7	ETPUB8	ETPUB9	ETPUB10	P
R	VSS	VSS	VSS	VSS						ETPUB3	ETPUB4	ETPUB5	ETPUB6	R
T	VSS	VSS	VSS	VSS						TCRCLKB	ETPUB0	ETPUB1	ETPUB2	T
U	VSS	VSS	VSS	VSS						ETPUB19	ETPUB18	ETPUB17	ETPUB16	U
V										ETPUB26	ETPUB22	ETPUB21	ETPUB20	V
W										REGSEL	ETPUB25	ETPUB24	ETPUB23	W
Y										ETPUB29	ETPUB28	ETPUB27	REGCTL	Y
AA										VDD33_3	ETPUB30	VDDREG	VSSSYN	AA
AB										VDD	ETPUB31	VSSFL	EXTAL	AB
AC	EMIOS14	EMIOS18	EMIOS22	EMIOS27	EMIOS31	CNRXB	CNRXD	VDDEH5	PCSC1	VSS	VDD	VDDEH6	XTAL	AC
AD	EMIOS15	EMIOS19	EMIOS23	EMIOS26	EMIOS30	CNTXB	CNTXD	SCKC	RXDC	PCSC3	VSS	VDD	VDDSYN	AD
AE	EMIOS13	EMIOS17	EMIOS21	EMIOS25	EMIOS29	CNRXA	CNRXC	PCSC0	SINC	PCSC2	PCSC5	VSS	VDD	AE
AF	EMIOS12	EMIOS16	EMIOS20	EMIOS24	EMIOS28	CNTXA	CNTXC	SOUTC	VDDEH4	TXDC	PCSC4	VDDEH5	VSS	AF
	14	15	16	17	18	19	20	21	22	23	24	25	26	

**MPC5674F 416-ball TEPBGA**  
 (as viewed from top through the package)  
 (4 of 4)

**Figure 10. MPC5674F 416-ball TEPBGA (4 of 4)**

### 3.3 516-ball TEPBGA Pin Assignments

Figure 11 shows the 516-ball TEPBGA pin assignments in one figure. The same information is shown split into four quadrants in Figure 12 through Figure 15.

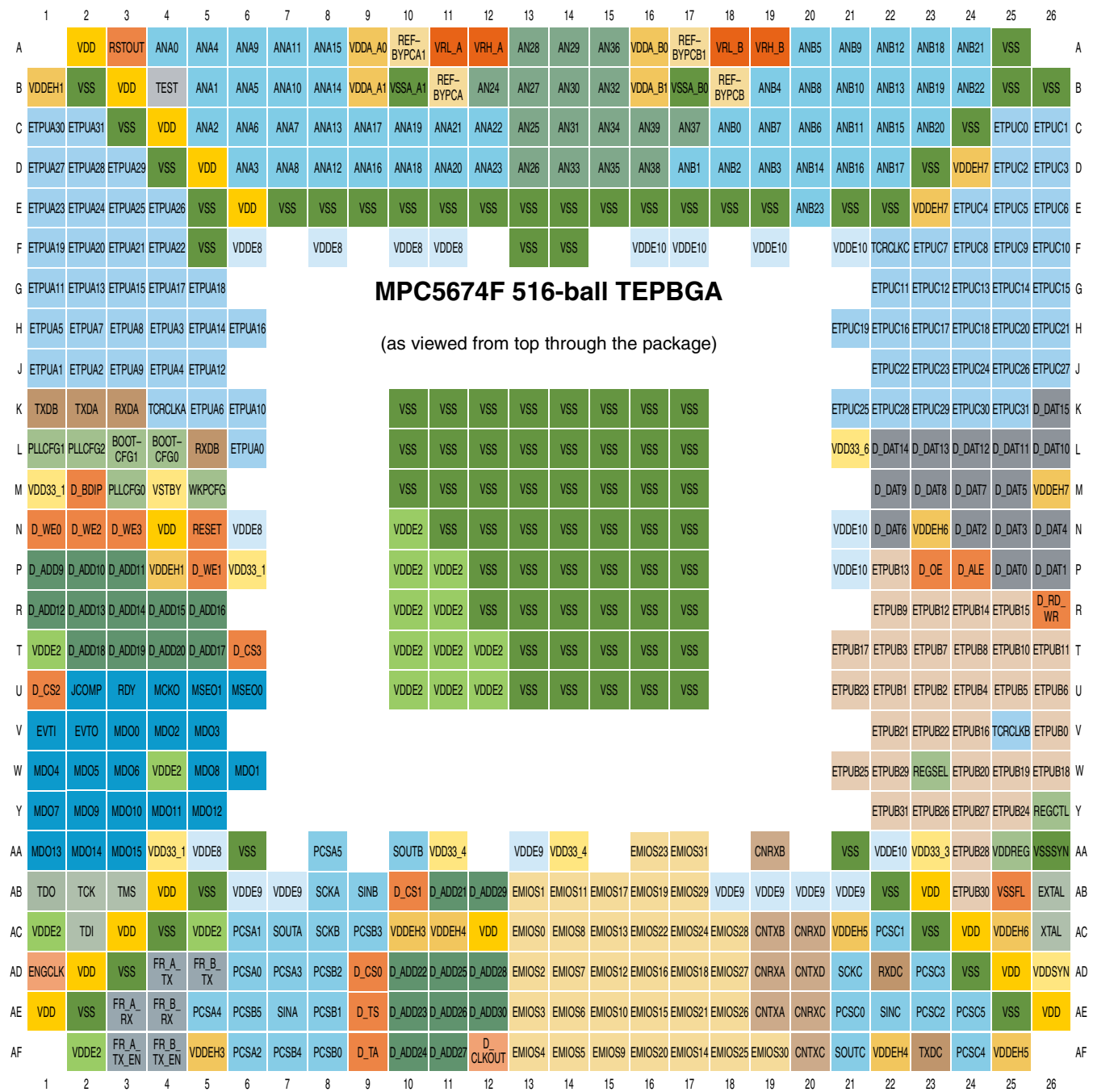


Figure 11. MPC5674F 516-ball TEPBGA (full diagram)

	1	2	3	4	5	6	7	8	9	10	11	12	13	
A		VDD	RSTOUT	ANA0	ANA4	ANA9	ANA11	ANA15	VDDA_A0	REF-BYPCA1	VRL_A	VRH_A	AN28	A
B	VDDEH1	VSS	VDD	TEST	ANA1	ANA5	ANA10	ANA14	VDDA_A1	VSSA_A1	REFBYPCA	AN24	AN27	B
C	ETPUA30	ETPUA31	VSS	VDD	ANA2	ANA6	ANA7	ANA13	ANA17	ANA19	ANA21	ANA22	AN25	C
D	ETPUA27	ETPUA28	ETPUA29	VSS	VDD	ANA3	ANA8	ANA12	ANA16	ANA18	ANA20	ANA23	AN26	D
E	ETPUA23	ETPUA24	ETPUA25	ETPUA26	VSS	VDD	VSS	VSS	VSS	VSS	VSS	VSS	VSS	E
F	ETPUA19	ETPUA20	ETPUA21	ETPUA22	VSS	VDDE8		VDDE8		VDDE8	VDDE8		VSS	F
G	ETPUA11	ETPUA13	ETPUA15	ETPUA17	ETPUA18	<p style="text-align: center;"><b>MPC5674F 516-ball TEPBGA</b>                      (as viewed from top through the package)                      (1 of 4)</p>							G	
H	ETPUA5	ETPUA7	ETPUA8	ETPUA3	ETPUA14								ETPUA16	H
J	ETPUA1	ETPUA2	ETPUA9	ETPUA4	ETPUA12								J	
K	TXDB	TXDA	RXDA	TCRCLKA	ETPUA6								ETPUA10	VSS
L	PLLCFG1	PLLCFG2	BOOTCFG1	BOOTCFG0	RXDB	ETPUA0	VSS	VSS	VSS	VSS	L			
M	VDD33_1	D_BDIP	PLLCFG0	VSTBY	WKPCFG	VSS	VSS	VSS	VSS	M				
N	D_WE0	D_WE2	D_WE3	VDD	RESET	VDDE8	VDDE2	VSS	VSS	VSS	N			

Figure 12. MPC5674F 516-ball TEPBGA (1 of 4)

## Pin Assignments

	14	15	16	17	18	19	20	21	22	23	24	25	26		
A	AN29	AN36	VDDA_B0	REF-BYPCB1	VRL_B	VRH_B	ANB5	ANB9	ANB12	ANB18	ANB21	VSS		A	
B	AN30	AN32	VDDA_B1	VSSA_B0	REFBYPCB	ANB4	ANB8	ANB10	ANB13	ANB19	ANB22	VSS	VSS	B	
C	AN31	AN34	AN39	AN37	ANB0	ANB7	ANB6	ANB11	ANB15	ANB20	VSS	ETPUC0	ETPUC1	C	
D	AN33	AN35	AN38	ANB1	ANB2	ANB3	ANB14	ANB16	ANB17	VSS	VDDEH7	ETPUC2	ETPUC3	D	
E	VSS	VSS	VSS	VSS	VSS	VSS	ANB23	VSS	VSS	VDDEH7	ETPUC4	ETPUC5	ETPUC6	E	
F	VSS		VDDE10	VDDE10		VDDE10		VDDE10	TCRCLKC	ETPUC7	ETPUC8	ETPUC9	ETPUC10	F	
G	<b>MPC5674F 516-ball TEPBGA</b> (as viewed from top through the package) (2 of 4)									ETPUC11	ETPUC12	ETPUC13	ETPUC14	ETPUC15	G
H								ETPUC19	ETPUC16	ETPUC17	ETPUC18	ETPUC20	ETPUC21	H	
J									ETPUC22	ETPUC23	ETPUC24	ETPUC26	ETPUC27	J	
K	VSS	VSS	VSS	VSS				ETPUC25	ETPUC28	ETPUC29	ETPUC30	ETPUC31	D_DAT15	K	
L	VSS	VSS	VSS	VSS				VDD33_6	D_DAT14	D_DAT13	D_DAT12	D_DAT11	D_DAT10	L	
M	VSS	VSS	VSS	VSS					D_DAT9	D_DAT8	D_DAT7	D_DAT5	VDDEH7	M	
N	VSS	VSS	VSS	VSS				VDDE10	D_DAT6	VDDEH6	D_DAT2	D_DAT3	D_DAT4	N	

Figure 13. MPC5674F 516-ball TEPBGA (2 of 4)



	1	2	3	4	5	6	7	8	9	10	11	12	13	
P	D_ADD9	D_ADD10	D_ADD11	VDDEH1	D_WE1	VDD33_1				VDDE2	VDDE2	VSS	VSS	P
R	D_ADD12	D_ADD13	D_ADD14	D_ADD15	D_ADD16					VDDE2	VDDE2	VSS	VSS	R
T	VDDE2	D_ADD18	D_ADD19	D_ADD20	D_ADD17	D_CS3				VDDE2	VDDE2	VDDE2	VSS	T
U	D_CS2	JCOMP	RDY	MCKO	MSEO1	MSEO0				VDDE2	VDDE2	VDDE2	VSS	U
V	EVTI	EVTO	MDO0	MDO2	MDO3									V
W	MDO4	MDO5	MDO6	VDDE2	MDO8	MDO1								W
Y	MDO7	MDO9	MDO10	MDO11	MDO12									Y
AA	MDO13	MDO14	MDO15	VDD33_1	VDDE8	VSS		PCSA5		SOUTB	VDD33_4		VDDE9	AA
AB	TDO	TCK	TMS	VDD	VSS	VDDE9	VDDE9	SCKA	SINB	D_CS1	D_ADD21	D_ADD29	EMIOS1	AB
AC	VDDE2	TDI	VDD	VSS	VDDE2	PCSA1	SOUTA	SCKB	PCSB3	VDDEH3	VDDEH4	VDD	EMIOS0	AC
AD	ENGCLK	VDD	VSS	FR_A_TX	FR_B_TX	PCSA0	PCSA3	PCSB2	D_CS0	D_ADD22	D_ADD25	D_ADD28	EMIOS2	AD
AE	VDD	VSS	FR_A_RX	FR_B_RX	PCSA4	PCSB5	SINA	PCSB1	D_TS	D_ADD23	D_ADD26	D_ADD30	EMIOS3	AE
AF		VDDE2	FR_A_TX_EN	FR_B_TX_EN	VDDEH3	PCSA2	PCSB4	PCSB0	D_TA	D_ADD24	D_ADD27	D_CLKOUT	EMIOS4	AF

**MPC5674F 516-ball TEPBGA**  
 (as viewed from top through the package)  
 (3 of 4)

**Figure 14. MPC5674F 516-ball TEPBGA (3 of 4)**

## Pin Assignments

	14	15	16	17	18	19	20	21	22	23	24	25	26	
P	VSS	VSS	VSS	VSS				VDDE10	ETPUB13	D_OE	D_ALE	D_DAT0	D_DAT1	P
R	VSS	VSS	VSS	VSS					ETPUB9	ETPUB12	ETPUB14	ETPUB15	D_RD_WR	R
T	VSS	VSS	VSS	VSS				ETPUB17	ETPUB3	ETPUB7	ETPUB8	ETPUB10	ETPUB11	T
U	VSS	VSS	VSS	VSS				ETPUB23	ETPUB1	ETPUB2	ETPUB4	ETPUB5	ETPUB6	U
V									ETPUB21	ETPUB22	ETPUB16	TCRCLKB	ETPUB0	V
W								ETPUB25	ETPUB29	REGSEL	ETPUB20	ETPUB19	ETPUB18	W
Y									ETPUB31	ETPUB26	ETPUB27	ETPUB24	REGCTL	Y
AA	VDD33_4		EMIOS23	EMIOS31			CNRXB	VSS	VDDE10	VDD33_3	ETPUB28	VDDREG	VSSSYN	AA
AB	EMIOS11	EMIOS17	EMIOS19	EMIOS29	VDDE9	VDDE9	VDDE9	VDDE9	VSS	VDD	ETPUB30	VSSSFL	EXTAL	AB
AC	EMIOS8	EMIOS13	EMIOS22	EMIOS24	EMIOS28	CNTXB	CNRXD	VDDEH5	PCSC1	VSS	VDD	VDDEH6	XTAL	AC
AD	EMIOS7	EMIOS12	EMIOS16	EMIOS18	EMIOS27	CNRXA	CNTXD	SCKC	RXDC	PCSC3	VSS	VDD	VDDSYN	AD
AE	EMIOS6	EMIOS10	EMIOS15	EMIOS21	EMIOS26	CNTXA	CNRXC	PCSC0	SINC	PCSC2	PCSC5	VSS	VDD	AE
AF	EMIOS5	EMIOS9	EMIOS20	EMIOS14	EMIOS25	EMIOS30	CNTXC	SOUTC	VDDEH4	TXDC	PCSC4	VDDEH5		AF

**MPC5674F 516-ball TEPBGA**  
(as viewed from top through the package)  
(4 of 4)

**Figure 15. MPC5674F 516-ball TEPBGA (4 of 4)**

## 3.4 Signal Properties and Muxing

See [Appendix A, Signal Properties and Muxing](#), for a listing and description of the pin functions and properties.

## 4 Electrical Characteristics

This section contains detailed information on power considerations, DC/AC electrical characteristics, and AC timing specifications for the MPC5674F.

The electrical specifications are preliminary and are from previous designs, design simulations, or initial evaluation. These specifications may not be fully tested or guaranteed at this stage of the product life cycle, however for production silicon these specifications will be met. Finalized specifications will be published after complete characterization and device qualifications have been completed.

### 4.1 Maximum Ratings

Table 3. Absolute Maximum Ratings<sup>1</sup>

Spec	Characteristic	Symbol	Min	Max	Unit
1	1.2 V Core Supply Voltage	$V_{DD}$	-0.3	2.0 <sup>2</sup>	V
2	SRAM Standby Voltage	$V_{STBY}$	-0.3	6.4 <sup>3,4</sup>	V
3	Clock Synthesizer Voltage	$V_{DDSYN}$	-0.3	5.3 <sup>4,5</sup>	V
4	I/O Supply Voltage (I/O buffers and predrivers)	$V_{DD33}$	-0.3	5.3 <sup>4,5</sup>	V
5	Analog Supply Voltage (reference to $V_{SSA}$ <sup>6</sup> )	$V_{DDA}$ <sup>7</sup>	-0.3	6.4 <sup>3,4</sup>	V
6	I/O Supply Voltage (fast I/O pads)	$V_{DDE}$	-0.3	5.3 <sup>4,5</sup>	V
7	I/O Supply Voltage (medium I/O pads)	$V_{DDEH}$	-0.3	6.4 <sup>3,4</sup>	V
8	Voltage Regulator Input Supply Voltage	$V_{DDREG}$	-0.3	6.4 <sup>3,4</sup>	V
9	Analog Reference High Voltage (reference to $V_{RL}$ <sup>8</sup> )	$V_{RH}$ <sup>9</sup>	-0.3	6.4 <sup>3,4</sup>	V
10	$V_{SS}$ to $V_{SSA}$ <sup>8</sup> Differential Voltage	$V_{SS} - V_{SSA}$	-0.1	0.1	V
11	$V_{REF}$ Differential Voltage	$V_{RH} - V_{RL}$	-0.3	6.4 <sup>3,4</sup>	V
12	$V_{RL}$ to $V_{SSA}$ Differential Voltage	$V_{RL} - V_{SSA}$	-0.3	0.3	V
13	$V_{DD33}$ to $V_{DDSYN}$ Differential Voltage	$V_{DD33} - V_{DDSYN}$	-0.1	0.1	V
14	$V_{SSSYN}$ to $V_{SS}$ Differential Voltage	$V_{SSSYN} - V_{SS}$	-0.1	0.1	V
15	Maximum Digital Input Current <sup>10</sup> (per pin, applies to all digital pins)	$I_{MAXD}$	-3 <sup>11</sup>	3 <sup>11</sup>	mA
16	Maximum Analog Input Current <sup>12</sup> (per pin, applies to all analog pins)	$I_{MAXA}$	-3 <sup>7</sup>	3 <sup>7,11</sup>	mA
17	Maximum Operating Temperature Range <sup>13</sup> – Die Junction Temperature	$T_J$	-40.0	150.0	°C
18	Storage Temperature Range	$T_{stg}$	-55.0	150.0	°C
19	Maximum Solder Temperature <sup>14</sup> Pb-free package SnPb package	$T_{sdr}$	— —	260.0 245.0	°C
20	Moisture Sensitivity Level <sup>15</sup>	MSL	—	3	—

- <sup>1</sup> Functional operating conditions are given in the DC electrical specifications. Absolute maximum ratings are stress ratings only, and functional operation at the maxima is not guaranteed. Stress beyond the listed maxima may affect device reliability or cause permanent damage to the device.
- <sup>2</sup> 2.0 V for 10 hours cumulative time, 1.2 V +10% for time remaining.
- <sup>3</sup> 6.4 V for 10 hours cumulative time, 5.0 V +10% for time remaining.
- <sup>4</sup> Voltage overshoots during a high-to-low or low-to-high transition must not exceed 10 seconds per instance.
- <sup>5</sup> 5.3 V for 10 hours cumulative time, 3.3 V +10% for time remaining.
- <sup>6</sup> MPC5674F has two analog power supply pins on the pinout: VDDA\_A and VDDA\_B.
- <sup>7</sup> MPC5674F has two analog ground supply pins on the pinout: VSSA\_A and VSSA\_B.
- <sup>8</sup> MPC5674F has two analog low reference voltage pins on the pinout: VRL\_A and VRL\_B.
- <sup>9</sup> MPC5674F has two analog high reference voltage pins on the pinout: VRH\_A and VRH\_B.
- <sup>10</sup> Total injection current for all pins must not exceed 25 mA at maximum operating voltage.
- <sup>11</sup> Injection current of  $\pm 5$  mA allowed for limited duration for analog (ADC) pads and digital 5 V pads. The maximum accumulated time at this current shall be 60 hours. This includes an assumption of a 5.25 V maximum analog or  $V_{DDEH}$  supply when under this stress condition.
- <sup>12</sup> Total injection current for all analog input pins must not exceed 15 mA.
- <sup>13</sup> Lifetime operation at these specification limits is not guaranteed.
- <sup>14</sup> Solder profile per CDF-AEC-Q100.
- <sup>15</sup> Moisture sensitivity per JEDEC test method A112.

## 4.2 Thermal Characteristics

**Table 4. Thermal Characteristics, 416-pin TEPBGA Package<sup>1</sup>**

Characteristic	Symbol	Value	Unit
Junction to Ambient <sup>2,3</sup> Natural Convection (Single layer board)	$R_{\theta JA}$	24	°C/W
Junction to Ambient <sup>2,4</sup> Natural Convection (Four layer board 2s2p)	$R_{\theta JA}$	18	°C/W
Junction to Ambient (@200 ft./min., Single layer board)	$R_{\theta JMA}$	19	°C/W
Junction to Ambient (@200 ft./min., Four layer board 2s2p)	$R_{\theta JMA}$	14	°C/W
Junction to Board <sup>5</sup>	$R_{\theta JB}$	9	°C/W
Junction to Case <sup>6</sup>	$R_{\theta JC}$	6	°C/W
Junction to Package Top <sup>7</sup> Natural Convection	$\Psi_{JT}$	2	°C/W

- <sup>1</sup> Thermal characteristics are targets based on simulation that are subject to change per device characterization. This data is PRELIMINARY based on similar package used on other devices.
- <sup>2</sup> Junction temperature is a function of on-chip power dissipation, package thermal resistance, mounting site (board) temperature, ambient temperature, air flow, power dissipation of other components on the board, and board thermal resistance.
- <sup>3</sup> Per JEDEC JESD51-2 with the single layer board horizontal. Board meets JESD51-9 specification.
- <sup>4</sup> Per JEDEC JESD51-6 with the board horizontal.
- <sup>5</sup> Thermal resistance between the die and the printed circuit board per JEDEC JESD51-8. Board temperature is measured on the top surface of the board near the package.
- <sup>6</sup> Indicates the average thermal resistance between the die and the case top surface as measured by the cold plate method (MIL SPEC-883 Method 1012.1) with the cold plate temperature used for the case temperature.
- <sup>7</sup> Thermal characterization parameter indicating the temperature difference between package top and the junction temperature per JEDEC JESD51-2.

**Table 5. Thermal Characteristics, 516-pin TEPBGA Package<sup>1</sup>**

Characteristic	Symbol	Value	Unit
Junction to Ambient <sup>2,3</sup> Natural Convection (Single layer board)	$R_{\theta JA}$	25	°C/W
Junction to Ambient <sup>2,4</sup> Natural Convection (Four layer board 2s2p)	$R_{\theta JA}$	18	°C/W
Junction to Ambient (@200 ft./min., Single layer board)	$R_{\theta JMA}$	20	°C/W
Junction to Ambient (@200 ft./min., Four layer board 2s2p)	$R_{\theta JMA}$	15	°C/W
Junction to Board <sup>5</sup>	$R_{\theta JB}$	10	°C/W
Junction to Case <sup>6</sup>	$R_{\theta JC}$	6	°C/W
Junction to Package Top <sup>7</sup> Natural Convection	$\Psi_{JT}$	2	°C/W

<sup>1</sup> Thermal characteristics are targets based on simulation that are subject to change per device characterization. This data is PRELIMINARY based on similar package used on other devices.

<sup>2</sup> Junction temperature is a function of on-chip power dissipation, package thermal resistance, mounting site (board) temperature, ambient temperature, air flow, power dissipation of other components on the board, and board thermal resistance.

<sup>3</sup> Per JEDEC JESD51-2 with the single layer board horizontal. Board meets JESD51-9 specification.

<sup>4</sup> Per JEDEC JESD51-6 with the board horizontal.

<sup>5</sup> Thermal resistance between the die and the printed circuit board per JEDEC JESD51-8. Board temperature is measured on the top surface of the board near the package.

<sup>6</sup> Indicates the average thermal resistance between the die and the case top surface as measured by the cold plate method (MIL SPEC-883 Method 1012.1) with the cold plate temperature used for the case temperature.

<sup>7</sup> Thermal characterization parameter indicating the temperature difference between package top and the junction temperature per JEDEC JESD51-2.

**Table 6. Thermal Characteristics, 324-pin Package<sup>1</sup>**

MPC5674F Thermal Characteristic	Symbol	Value	Unit
Junction to ambient <sup>2,3</sup> , natural convection (one-layer board)	$R_{\theta JA}$	29	°C/W
Junction to ambient <sup>1,4</sup> , natural convection (four-layer board 2s2p)	$R_{\theta JA}$	19	°C/W
Junction to ambient (@200 ft./min., one-layer board)	$R_{\theta JMA}$	23	°C/W
Junction to ambient (@200 ft./min., four-layer board 2s2p)	$R_{\theta JMA}$	16	°C/W
Junction to board <sup>5</sup> (four-layer board 2s2p)	$R_{\theta JB}$	10	°C/W
Junction to case <sup>6</sup>	$R_{\theta JC}$	7	°C/W
Junction to package top <sup>7</sup> , natural convection	$\Psi_{JT}$	2	°C/W

<sup>1</sup> Thermal characteristics are targets based on simulation that are subject to change per device characterization. This data is PRELIMINARY based on similar package used on other devices.

<sup>2</sup> Junction temperature is a function of on-chip power dissipation, package thermal resistance, mounting site (board) temperature, ambient temperature, air flow, power dissipation of other components on the board, and board thermal resistance.

<sup>3</sup> Per SEMI G38-87 and JEDEC JESD51-2 with the single-layer board horizontal.

<sup>4</sup> Per JEDEC JESD51-6 with the board horizontal.

<sup>5</sup> Thermal resistance between the die and the printed circuit board per JEDEC JESD51-8. Board temperature is measured on the top surface of the board near the package.

- <sup>6</sup> Indicates the average thermal resistance between the die and the case top surface as measured by the cold plate method (MIL SPEC-883 Method 1012.1) with the cold plate temperature used for the case temperature.
- <sup>7</sup> Thermal characterization parameter indicating the temperature difference between package top and the junction temperature per JEDEC JESD51-2.

## 4.2.1 General Notes for Specifications at Maximum Junction Temperature

An estimation of the chip junction temperature,  $T_J$ , can be obtained from the equation:

$$T_J = T_A + (R_{\theta JA} * P_D) \quad \text{Eqn. 1}$$

where:

$T_A$  = ambient temperature for the package ( $^{\circ}\text{C}$ )

$R_{\theta JA}$  = junction to ambient thermal resistance ( $^{\circ}\text{C}/\text{W}$ )

$P_D$  = power dissipation in the package (W)

The junction to ambient thermal resistance is an industry standard value that provides a quick and easy estimation of thermal performance. Unfortunately, there are two values in common usage: the value determined on a single layer board and the value obtained on a board with two planes. For packages such as the TEPBGA, these values can be different by a factor of two. Which value is closer to the application depends on the power dissipated by other components on the board. The value obtained on a single layer board is appropriate for the tightly packed printed circuit board. The value obtained on the board with the internal planes is usually appropriate if the board has low power dissipation and the components are well separated.

When a heat sink is used, the thermal resistance is expressed as the sum of a junction to case thermal resistance and a case to ambient thermal resistance:

$$R_{\theta JA} = R_{\theta JC} + R_{\theta CA} \quad \text{Eqn. 2}$$

where:

$R_{\theta JA}$  = junction to ambient thermal resistance ( $^{\circ}\text{C}/\text{W}$ )

$R_{\theta JC}$  = junction to case thermal resistance ( $^{\circ}\text{C}/\text{W}$ )

$R_{\theta CA}$  = case to ambient thermal resistance ( $^{\circ}\text{C}/\text{W}$ )

$R_{\theta JC}$  is device related and cannot be influenced by the user. The user controls the thermal environment to change the case to ambient thermal resistance,  $R_{\theta CA}$ . For instance, the user can change the size of the heat sink, the air flow around the device, the interface material, the mounting arrangement on printed circuit board, or change the thermal dissipation on the printed circuit board surrounding the device.

To determine the junction temperature of the device in the application when heat sinks are not used, the Thermal Characterization Parameter ( $\Psi_{JT}$ ) can be used to determine the junction temperature with a measurement of the temperature at the top center of the package case using the following equation:

$$T_J = T_T + (\Psi_{JT} * P_D) \quad \text{Eqn. 3}$$

where:

$T_T$  = thermocouple temperature on top of the package ( $^{\circ}\text{C}$ )

$\Psi_{JT}$  = thermal characterization parameter ( $^{\circ}\text{C}/\text{W}$ )

$P_D$  = power dissipation in the package (W)

The thermal characterization parameter is measured per JESD51-2 specification using a 40 gauge type T thermocouple epoxied to the top center of the package case. The thermocouple should be positioned so that the thermocouple junction rests on the

## Electrical Characteristics

package. A small amount of epoxy is placed over the thermocouple junction and over about 1 mm. of wire extending from the junction. The thermocouple wire is placed flat against the package case to avoid measurement errors caused by cooling effects of the thermocouple wire.

### References:

Semiconductor Equipment and Materials International  
3081 Zanker Road  
San Jose, CA 95134  
(408) 943-6900

MIL-SPEC and EIA/JESD (JEDEC) specifications are available from Global Engineering Documents at 800-854-7179 or 303-397-7956.

JEDEC specifications are available on the WEB at <http://www.jedec.org>.

- C.E. Triplett and B. Joiner, “An Experimental Characterization of a 272 PBGA Within an Automotive Engine Controller Module,” Proceedings of SemiTherm, San Diego, 1998, pp. 47-54.
- G. Kromann, S. Shidore, and S. Addison, “Thermal Modeling of a PBGA for Air-Cooled Applications,” Electronic Packaging and Production, pp. 53-58, March 1998.
- B. Joiner and V. Adams, “Measurement and Simulation of Junction to Board Thermal Resistance and Its Application in Thermal Modeling,” Proceedings of SemiTherm, San Diego, 1999, pp. 212-220.

## 4.3 EMI (Electromagnetic Interference) Characteristics

To find application notes that provide guidance on designing your system to minimize interference from radiated emissions, go to [www.nxp.com](http://www.nxp.com) and perform a keyword search for “radiated emissions.” The following tables list the values of the device’s radiated emissions operating behaviors.

**Table 7. EMC Radiated Emissions Operating Behaviors: 416 BGA**

Symbol	Description	Conditions	$f_{osc}$ $f_{sys}$	Frequency band (MHz)	Level (max.)	Unit	Notes
$V_{RE\_TEM}$	Radiated emissions, electric field and magnetic field	$V_{DD} = 1.2\text{ V}$ $V_{DDE} = 3.3\text{ V}$ $V_{DDEH} = 5\text{ V}$ $T_A = 25\text{ }^\circ\text{C}$ 416 BGA EBI off CLK on FM off	40 MHz crystal 264 MHz ( $f_{EBI\_CAL} = 66\text{ MHz}$ )	0.15–50	26	dB $\mu$ V	1
				50–150	30		
				150–500	34		
				500–1000	30		
				IEC and SAE level	$I^2$	—	1, 3
$V_{RE\_TEM}$	Radiated emissions, electric field and magnetic field	$V_{DD} = 1.2\text{ V}$ $V_{DDE} = 3.3\text{ V}$ $V_{DDEH} = 5\text{ V}$ $T_A = 25\text{ }^\circ\text{C}$ 416 BGA EBI off CLK off FM on <sup>4</sup>	40 MHz crystal 264 MHz ( $f_{EBI\_CAL} = 66\text{ MHz}$ )	0.15–50	24	dB $\mu$ V	1
				50–150	25		
				150–500	25		
				500–1000	21		
				IEC and SAE level	$K^5$	—	1, 3

<sup>1</sup> Determined according to IEC Standard 61967-2, Measurement of Radiated Emissions—TEM Cell and Wideband TEM Cell Method, and SAE Standard J1752-3, Measurement of Radiated Emissions from Integrated Circuits—TEM/Wideband TEM (GTEM) Cell Method.

<sup>2</sup>  $I = 36\text{ dB}\mu\text{V}$

<sup>3</sup> Specified according to Annex D of IEC Standard 61967-2, Measurement of Radiated Emissions—TEM Cell and Wideband TEM Cell Method, and Appendix D of SAE Standard J1752-3, Measurement of Radiated Emissions from Integrated Circuits—TEM/Wideband TEM (GTEM) Cell Method.



<sup>4</sup> “FM on” = FM depth of  $\pm 2\%$

<sup>5</sup> K = 30 dB $\mu$ V

**Table 8. EMC Radiated Emissions Operating Behaviors: 516 BGA**

Symbol	Description	Conditions	$f_{osc}$ $f_{sys}$	Frequency band (MHz)	Level (max.)	Unit	Notes
$V_{RE\_TEM}$	Radiated emissions, electric field and magnetic field	$V_{DD} = 1.2\text{ V}$ $V_{DDE} = 3.3\text{ V}$ $V_{DDEH} = 5\text{ V}$ $T_A = 25\text{ }^\circ\text{C}$ 516 BGA EBI on CLK on FM off	40 MHz crystal 264 MHz ( $f_{EBI\_CAL} = 66\text{ MHz}$ )	0.15–50	40	dB $\mu$ V	<sup>1</sup>
				50–150	48		
				150–500	48		
				500–1000	47		
				IEC and SAE level	G <sup>2</sup>		
$V_{RE\_TEM}$	Radiated emissions, electric field and magnetic field	$V_{DD} = 1.2\text{ V}$ $V_{DDE} = 3.3\text{ V}$ $V_{DDEH} = 5\text{ V}$ $T_A = 25\text{ }^\circ\text{C}$ 516 BGA EBI on CLK on FM on <sup>4</sup>	40 MHz crystal 264 MHz ( $f_{EBI\_CAL} = 66\text{ MHz}$ )	0.15–50	40	dB $\mu$ V	<sup>1</sup>
				50–150	44		
				150–500	41		
				500–1000	36		
				IEC and SAE level	G <sup>2</sup>		

<sup>1</sup> Determined according to IEC Standard 61967-2, Measurement of Radiated Emissions—TEM Cell and Wideband TEM Cell Method, and SAE Standard J1752-3, Measurement of Radiated Emissions from Integrated Circuits—TEM/Wideband TEM (GTEM) Cell Method.

<sup>2</sup> G = 48 dB $\mu$ V

<sup>3</sup> Specified according to Annex D of IEC Standard 61967-2, Measurement of Radiated Emissions—TEM Cell and Wideband TEM Cell Method, and Appendix D of SAE Standard J1752-3, Measurement of Radiated Emissions from Integrated Circuits—TEM/Wideband TEM (GTEM) Cell Method.

<sup>4</sup> “FM on” = FM depth of  $\pm 2\%$

## 4.4 ESD Characteristics

**Table 9. ESD Ratings<sup>1,2</sup>**

Spec	Characteristic	Symbol	Value	Unit
1	ESD for Human Body Model (HBM)	$V_{HBM}$	2000	V
2	ESD for Charged Device Model (CDM)	$V_{CDM}$	750 (corners) 500 (other)	V

<sup>1</sup> All ESD testing is in conformity with CDF-AEC-Q100 Stress Test Qualification for Automotive Grade Integrated Circuits.

<sup>2</sup> A device will be defined as a failure if after exposure to ESD pulses the device no longer meets the device specification requirements. Complete DC parametric and functional testing shall be performed per applicable device specification at room temperature followed by hot temperature, unless specified otherwise in the device specification.

## 4.5 PMC/POR/LVI Electrical Specifications

**Note:** For ADC internal resource measurements, see [Table 21](#) in [Section 4.9.1](#), “ADC Internal Resource Measurements.”

**Table 10. PMC Operating conditions**

Name	Parameter	Condition	Min	Typ	Max	Unit	Note
V <sub>DDREG</sub>	Supply voltage V <sub>DDREG</sub> 5V nominal	LDO5V / SMPS5V mode	4.5	5	5.5	V	<sup>1</sup>
V <sub>DDREG</sub>	Supply voltage V <sub>DDREG</sub> 3V nominal	LDO3V mode	3.0	3.3	3.6	V	<sup>1</sup>
V <sub>DD33</sub>	Supply voltage V <sub>DDSYN</sub> / V <sub>DD33</sub> 3.3V nominal	LDO3V mode	3.0	3.3	3.6	V	<sup>2</sup>
V <sub>DD</sub>	Core supply voltage	—	1.14	1.2	1.32	V	<sup>3</sup>

<sup>1</sup> Voltage should be higher than maximum V<sub>LVDREG</sub> to avoid LVD event

<sup>2</sup> Applies to both V<sub>DD33</sub> (flash supply) and V<sub>DDSYN</sub> (PLL supply) pads. Voltage should be higher than maximum V<sub>LVD33</sub> to avoid LVD event

<sup>3</sup> Voltage should be higher than maximum V<sub>LVD12</sub> to avoid LVD event

**NOTE**

In the following table, "untrimmed" means "at reset" and "trimmed" means "after reset".

**Table 11. PMC Electrical Specifications**

ID	Name	Parameter	Min	Typ	Max	Unit
1	V <sub>BG</sub>	Nominal bandgap reference voltage	0.608	0.620	0.632	V
1a	—	Untrimmed bandgap reference voltage	V <sub>BG</sub> - 5%	V <sub>BG</sub>	V <sub>BG</sub> + 5%	V
2	V <sub>DD12OUT</sub>	Nominal VRC regulated 1.2V output VDD	—	1.27	—	V
2a	—	Untrimmed VRC 1.2V output variation before band gap trim (unloaded) <b>Note:</b> Voltage should be higher than maximum V <sub>LVD12</sub> to avoid LVD event	V <sub>DD12OUT</sub> - 14%	V <sub>DD12OUT</sub>	V <sub>DD12OUT</sub> + 10%	V
2b	—	Trimmed VRC 1.2V output variation after band gap trim (REGCTL load max. 20mA, VDD load max. 1A) <sup>1</sup>	V <sub>DD12OUT</sub> - 10%	V <sub>DD12OUT</sub>	V <sub>DD12OUT</sub> + 5%	V
2c	V <sub>STEPV12</sub>	Trimming step V <sub>DD12OUT</sub>	—	10	—	mV
3	V <sub>PORC</sub>	POR rising VDD 1.2V	—	0.7	—	V
3a	—	POR VDD 1.2V variation	V <sub>PORC</sub> - 30%	V <sub>PORC</sub>	V <sub>PORC</sub> + 30%	
3b	—	POR 1.2V hysteresis	—	75	—	mV
4	V <sub>LVD12</sub>	Nominal rising LVD 1.2V <b>Note:</b> ~V <sub>DD12OUT</sub> × 0.87	—	1.100	—	V
4a	—	Untrimmed LVD 1.2V variation before band gap trim <b>Note:</b> Rising VDD	V <sub>LVD12</sub> - 6%	V <sub>LVD12</sub>	V <sub>LVD12</sub> + 6%	V
4b	—	Trimmed LVD 1.2V variation after band gap trim Rising VDD	V <sub>LVD12</sub> - 3%	V <sub>LVD12</sub>	V <sub>LVD12</sub> + 3%	V

Table 11. PMC Electrical Specifications (continued)

ID	Name	Parameter	Min	Typ	Max	Unit
4c	—	LVD 1.2V Hysteresis	15	20	25	mV
4d	V <sub>LVDSTEP12</sub>	Trimming step LVD 1.2V	—	10	—	mV
5	I <sub>REGCTL</sub>	VRC DC current output on REGCTL	—	—	20	mA
6	—	Voltage regulator 1.2V current consumption VDDREG	—	3	—	mA
7	V <sub>DD33OUT</sub>	Nominal V <sub>REG</sub> 3.3V output	—	3.3	—	V
7a	—	Untrimmed V <sub>REG</sub> 3.3V output variation before band gap trim (unloaded) <b>Note:</b> Rising VDDSYN	V <sub>DD33OUT</sub> – 6%	V <sub>DD33OUT</sub>	V <sub>DD33OUT</sub> + 10%	V
7b	—	Trimmed V <sub>REG</sub> 3.3V output variation after band gap trim (max. load 80mA)	V <sub>DD33OUT</sub> – 5%	V <sub>DD33OUT</sub>	V <sub>DD33OUT</sub> + 10%	V
7c	V <sub>STEPV33</sub>	Trimming step VDDSYN	—	30	—	mV
8	V <sub>LVD33</sub>	Nominal rising LVD 3.3V <b>Note:</b> ~V <sub>DD33OUT</sub> × 0.872	—	2.950	—	V
8a	—	Untrimmed LVD 3.3V variation before band gap trim <b>Note:</b> Rising VDDSYN	V <sub>LVD33</sub> – 5%	V <sub>LVD33</sub>	V <sub>LVD33</sub> + 5%	V
8b	—	Trimmed LVD 3.3V variation after bad gap trim <b>Note:</b> Rising VDDSYN	V <sub>LVD33</sub> – 3%	V <sub>LVD33</sub>	V <sub>LVD33</sub> + 3%	V
8c	—	LVD 3.3V Hysteresis	—	30	—	mV
8d	V <sub>LVDSTEP33</sub>	Trimming step LVD 3.3V	—	30	—	mV
9	I <sub>DD33</sub>	V <sub>REG</sub> = 4.5 V, max DC output current V <sub>REG</sub> = 4.25 V, max DC output current, crank condition <b>Note:</b> Max current supplied by VDDSYN that does not cause it to drop below V <sub>LVD33</sub>	— —	— —	80 40	mA mA
10	—	Voltage regulator 3.3V current consumption VDDREG <b>Note:</b> Except I <sub>DD33</sub>	—	2	—	mA
11	V <sub>PORREG</sub>	POR rising on VDDREG	—	2.00	—	V
11a	—	POR VDDREG variation	V <sub>PORREG</sub> – 30%	V <sub>PORREG</sub>	V <sub>PORREG</sub> + 30%	V
11b	—	POR VDDREG hysteresis	—	250	—	mV
12	V <sub>LVDREG</sub>	Nominal rising LVD VDDREG (LDO3V / LDO5V mode)	—	2.950	—	V
12a	—	Untrimmed LVD VDDREG variation before band gap trim <b>Note:</b> Rising VDDREG	V <sub>LVDREG</sub> – 5%	V <sub>LVDREG</sub>	V <sub>LVDREG</sub> + 5%	V
12b	—	Trimmed LVD VDDREG variation after band gap trim <b>Note:</b> Rising VDDREG	V <sub>LVDREG</sub> – 3%	V <sub>LVDREG</sub>	V <sub>LVDREG</sub> + 3%	V

Table 11. PMC Electrical Specifications (continued)

ID	Name	Parameter	Min	Typ	Max	Unit
12c	—	LVD VDDREG Hysteresis (LDO3V / LDO5V mode)	—	30	—	mV
12d	V <sub>LVDSTEPREG</sub>	Trimming step LVD VDDREG (LDO3V / LDO5V mode)	—	30	—	mV
13	V <sub>LVDREG</sub>	Nominal rising LVD VDDREG (SMPS5V mode)	—	4.360	—	V
13a	—	Untrimmed LVD VDDREG variation before band gap trim <b>Note:</b> Rising VDDREG	V <sub>LVDREG</sub> - 5%	V <sub>LVDREG</sub>	V <sub>LVDREG</sub> + 5%	V
13b	—	Trimmed LVD VDDREG variation after band gap trim <b>Note:</b> Rising VDDREG	V <sub>LVDREG</sub> - 3%	V <sub>LVDREG</sub>	V <sub>LVDREG</sub> + 3%	V
13c	—	LVD VDDREG Hysteresis (SMPS5V mode)	—	50	—	mV
13d	V <sub>LVDSTEPREG</sub>	Trimming step LVD VDDREG (SMPS5V mode)	—	50	—	mV
14	V <sub>LVDA</sub>	Nominal rising LVD VDDA	—	4.60	—	V
14a	—	Untrimmed LVD VDDA variation before band gap trim	V <sub>LVDA</sub> - 5%	V <sub>LVDA</sub>	V <sub>LVDA</sub> + 5%	V
14b	—	Trimmed LVD VDDA variation after band gap trim	V <sub>LVDA</sub> - 3%	V <sub>LVDA</sub>	V <sub>LVDA</sub> + 3%	V
14c	—	LVD VDDA Hysteresis	—	150	—	mV
14d	V <sub>LVDASTEP</sub>	Trimming step LVD VDDA	—	20	—	mV
15	—	SMPS regulator output resistance <b>Note:</b> Pulup to VDDREG when high, pulldown to VSSREG when low.	—	15	25	Ohm
16	—	SMPS regulator clock frequency (after reset)	1.0	1.5	2.4	MHz
17	—	SMPS regulator overshoot at start-up <sup>2</sup>	—	1.32	1.4	V
18	—	SMPS maximum output current	—	1.0	—	A
19	—	Voltage variation on current step <sup>2</sup> (20% to 80% of maximum current with 4 usec constant time)	—	—	0.1	V

<sup>1</sup> VRC linear regulator is capable of sourcing a current up to 20 mA and sinking a current up to 500 uA. When using the recommended ballast transistor the maximum output current provided by the voltage regulator VRC/ballast to the VDD core voltage is up to 1A.

<sup>2</sup> Parameter cannot be tested; this value is based on simulation and characterization.

## 4.6 Power Up/Down Sequencing

There is no power sequencing required among power sources during power up and power down in order to operate within specification as long as the following two rules are met:

- When VDDREG is tied to a nominal 3.3V supply, VDD33 and VDDSYN must be both shorted to VDDREG.
- When VDDREG is tied to a 5V supply, VDD33 and VDDSYN must be tied together and shall be powered by the internal 3.3V regulator.

The recommended power supply behavior is as follows: Use 25 V/millisecond or slower rise time for all supplies. Power up each  $V_{DDE}/V_{DDEH}$  first and then power up  $V_{DD}$ . For power down, drop  $V_{DD}$  to 0 V first, and then drop all  $V_{DDE}/V_{DDEH}$  supplies. There is no limit on the fall time for the power supplies.

Although there are no power up/down sequencing requirements to prevent issues like latch-up, excessive current spikes, etc., the state of the I/O pins during power up/down varies according to [Table 12](#) and [Table 13](#).

**Table 12. Power Sequence Pin States for MH and AE pads**

VDD	VDD33	VDDE	MH Pad	MH+LVDS Pads <sup>1</sup>	AE/up-down Pads
High	High	High	Normal operation	Normal operation	Normal operation
—	Low	High	Pin is tri-stated (output buffer, input buffer, and weak pulls disabled)	Outputs disabled	Pull-ups enabled, pull-downs disabled
Low	High	Low	Output low, pin unpowered	Outputs disabled	Output low, pin unpowered
Low	High	High	Pin is tri-stated (output buffer, input buffer, and weak pulls disabled)	Outputs disabled	Pull-ups enabled, pull-downs disabled

<sup>1</sup> MH+LVDS pads are output-only.

**Table 13. Power Sequence Pin States for F and FS pads**

VDD	VDD33	VDDE	F and FS pads
low	low	high	Outputs Disabled
low	high	—	Outputs Disabled
high	low	low	Outputs Disabled
high	low	high	Outputs Disabled
high	high	low	Normal operation - except no drive current and input buffer output is unknown. <sup>1</sup>
high	high	high	Normal Operation

<sup>1</sup> The pad pre-drive circuitry will function normally but since VDDE is unpowered the outputs will not drive high even though the output pmos can be enabled.

### 4.6.1 Power-Up

If  $V_{DDE}/V_{DDEH}$  is powered up first, then a threshold detector tristates all drivers connected to  $V_{DDE}/V_{DDEH}$ . There is no limit to how long after  $V_{DDE}/V_{DDEH}$  powers up before  $V_{DD}$  must power up. If there are multiple  $V_{DDE}/V_{DDEH}$  supplies, they can be powered up in any order. For each  $V_{DDE}/V_{DDEH}$  supply not powered up, the drivers in that  $V_{DDE}/V_{DDEH}$  segment exhibit the characteristics described in the next paragraph.

## Electrical Characteristics

If  $V_{DD}$  is powered up first, then all pads are loaded through the drain diodes to  $V_{DDE}/V_{DDEH}$ . This presents a heavy load that pulls the pad down to a diode above  $V_{SS}$ . Current injected by external devices connected to the pads must meet the current injection specification. There is no limit to how long after  $V_{DD}$  powers up before  $V_{DDE}/V_{DDEH}$  must power up.

The rise times on the power supplies are to be no faster than 25 V/millisecond.

### 4.6.2 Power-Down

If  $V_{DD}$  is powered down first, then all drivers are tristated. There is no limit to how long after  $V_{DD}$  powers down before  $V_{DDE}/V_{DDEH}$  must power down.

If  $V_{DDE}/V_{DDEH}$  is powered down first, then all pads are loaded through the drain diodes to  $V_{DDE}/V_{DDEH}$ . This presents a heavy load that pulls the pad down to a diode above  $V_{SS}$ . Current injected by external devices connected to the pads must meet the current injection specification. There is no limit to how long after  $V_{DDE}/V_{DDEH}$  powers down before  $V_{DD}$  must power down.

There are no limits on the fall times for the power supplies.

### 4.6.3 Power Sequencing and POR Dependent on $V_{DDA}$

During power up or down,  $V_{DDA}$  can lag other supplies (of magnitude greater than  $V_{DDEH}/2$ ) within 1 V to prevent any forward-biasing of device diodes that causes leakage current and/or POR. If the voltage difference between  $V_{DDA}$  and  $V_{DDEH}$  is more than 1 V, the following will result:

- Triggers POR (ADC monitors on  $V_{DDEH1}$  segment which powers the RESET pin) if the leakage current path created, when  $V_{DDA}$  is sufficiently low, causes sufficient voltage drop on  $V_{DDEH1}$  node monitored crosses low-voltage detect level.
- If  $V_{DDA}$  is between 0–2 V, powering all the other segments (especially  $V_{DDEH1}$ ) will not be sufficient to get the part out of reset.
- Each  $V_{DDEH}$  will have a leakage current to  $V_{DDA}$  of a magnitude of  $((V_{DDEH} - V_{DDA} - 1 \text{ V (diode drop)})/200 \text{ KOhms})$  up to  $(V_{DDEH}/2 = V_{DDA} + 1 \text{ V})$ .
- Each  $V_{DD}$  has the same behavior; however, the leakage will be small even though there is no current limiting resistor since  $V_{DD} = 1.32 \text{ V max.}$

## 4.7 DC Electrical Specifications

Table 14. DC Electrical Specifications

Spec	Characteristic	Symbol	Min	Max	Unit
1	Core Supply Voltage (External Regulation)	$V_{DD}$	1.14	1.32 <sup>1,2</sup>	V
1a	Core Supply Voltage (Internal Regulation) <sup>3</sup>	$V_{DD}$	1.08	1.32	V
2	I/O Supply Voltage (fast I/O pads)	$V_{DDE}$	3.0	3.6 <sup>1,4</sup>	V
3	I/O Supply Voltage (medium I/O pads)	$V_{DDEH}$	3.0	5.25 <sup>1,5</sup>	V
4	3.3 V I/O Buffer Voltage	$V_{DD33}$	3.0	3.6 <sup>1,4</sup>	V
5	Analog Supply Voltage	$V_{DDA}$	4.75	5.25 <sup>1,5</sup>	V
6a	SRAM Standby Voltage Keep-out Range: 1.2V–2V	$V_{STBY\_LOW}$	0.95 <sup>6</sup>	1.2	V
6b	SRAM Standby Voltage Keep-out Range: 1.2V–2V	$V_{STBY\_HIGH}$	2	6	V
7	Voltage Regulator Control Input Voltage <sup>7</sup>	$V_{DDREG}$	2.7 <sup>8</sup>	5.5 <sup>1,5</sup>	V

Table 14. DC Electrical Specifications (continued)

Spec	Characteristic	Symbol	Min	Max	Unit
8	Clock Synthesizer Operating Voltage <sup>9</sup>	$V_{DDSYN}$	3.0	3.6 <sup>1,4</sup>	V
9	Fast I/O Input High Voltage Hysteresis enabled Hysteresis disabled	$V_{IH\_F}$	$0.65 \times V_{DDE}$ $0.55 \times V_{DDE}$	$V_{DDE} + 0.3$	V
10	Fast I/O Input Low Voltage Hysteresis enabled Hysteresis disabled	$V_{IL\_F}$	$V_{SS} - 0.3$	$0.35 \times V_{DDE}$ $0.40 \times V_{DDE}$	V
11	Medium I/O Input High Voltage Hysteresis enabled Hysteresis disabled	$V_{IH\_S}$	$0.65 \times V_{DDEH}$ $0.55 \times V_{DDEH}$	$V_{DDEH} + 0.3$	V
12	Medium I/O Input Low Voltage Hysteresis enabled Hysteresis disabled	$V_{IL\_S}$	$V_{SS} - 0.3$	$0.35 \times V_{DDEH}$ $0.40 \times V_{DDEH}$	V
13	Fast I/O Input Hysteresis	$V_{HYS\_F}$	$0.1 \times V_{DDE}$	—	V
14	Medium I/O Input Hysteresis	$V_{HYS\_S}$	$0.1 \times V_{DDEH}$	—	V
15	Analog Input Voltage	$V_{INDC}$	$V_{SSA} - 0.1$	$V_{DDA} + 0.1$	V
16	Fast I/O Output High Voltage <sup>10</sup>	$V_{OH\_F}$	$0.8 \times V_{DDE}$	—	V
17	Medium I/O Output High Voltage <sup>11</sup>	$V_{OH\_S}$	$0.8 \times V_{DDEH}$	—	V
18	Fast I/O Output Low Voltage <sup>10</sup>	$V_{OL\_F}$	—	$0.2 \times V_{DDE}$	V
19	Medium I/O Output Low Voltage <sup>11</sup>	$V_{OL\_S}$	—	$0.2 \times V_{DDEH}$	V
20	Load Capacitance (Fast I/O) <sup>12</sup> DSC(PCR[8:9]) = 0b00 DSC(PCR[8:9]) = 0b01 DSC(PCR[8:9]) = 0b10 DSC(PCR[8:9]) = 0b11	$C_L$	— — — —	10 20 30 50	pF pF pF pF
21	Input Capacitance (Digital Pins)	$C_{IN}$	—	7	pF
22	Input Capacitance (Analog Pins)	$C_{IN\_A}$	—	10	pF
24	Operating Current 1.2 V Supplies @ $f_{sys} = 264$ MHz $V_{DD}$ @ 1.32 V $V_{STBY}$ <sup>13</sup> @ 1.2 V and 85°C $V_{STBY}$ @ 6.0 V and 85°C	$I_{DD}$ $I_{DDSTBY}$ $I_{DDSTBY6}$	— — —	850 0.10 0.15	mA mA mA
25	Operating Current 3.3 V Supplies @ $f_{sys} = 264$ MHz $V_{DD33}$ <sup>14</sup> $V_{DDSYN}$	$I_{DD33}$ $I_{DDSYN}$	— —	note <sup>14</sup> 7 <sup>15</sup>	mA mA
26	Operating Current 5.0 V Supplies @ $f_{sys} = 264$ MHz $V_{DDA}$ Analog Reference Supply Current (Transient) $V_{DDREG}$	$I_{DDA}$ $I_{REF}$ $I_{REG}$	— — —	50 <sup>16</sup> 1.0 22	mA mA mA

Table 14. DC Electrical Specifications (continued)

Spec	Characteristic	Symbol	Min	Max	Unit
27	Operating Current $V_{DDE}/V_{DDEH}$ <sup>17</sup> Supplies $V_{DDE2}$ $V_{DDEH1}$ $V_{DDEH3}$ $V_{DDEH4}$ $V_{DDEH5}$ $V_{DDEH6}$ $V_{DDEH7}$	$I_{DD2}$ $I_{DD1}$ $I_{DD3}$ $I_{DD4}$ $I_{DD5}$ $I_{DD6}$ $I_{DD7}$	— — — — — — —	note <sup>17</sup>	mA mA mA mA mA mA mA
28	Fast I/O Weak Pull Up/Down Current <sup>18</sup> 3.0 V–3.6 V	$I_{ACT\_F}$	42	158	$\mu$ A
29	Medium I/O Weak Pull Up/Down Current <sup>19</sup> 3.0 V–3.6 V 4.5 V–5.5 V	$I_{ACT\_S}$	15 35	95 200	$\mu$ A $\mu$ A
30	I/O Input Leakage Current <sup>20</sup>	$I_{INACT\_D}$	–2.5	2.5	$\mu$ A
31	DC Injection Current (per pin)	$I_{IC}$	–1.0	1.0	mA
32	Analog Input Current, Channel Off <sup>21</sup> , AN[0:7], AN38, AN39 Analog Input Current, Channel Off, all other analog inputs AN[x]	$I_{INACT\_A}$	–250 –150	250 150	nA nA
33	$V_{SS}$ Differential Voltage	$V_{SS} - V_{SSA}$	–100	100	mV
34	Analog Reference Low Voltage	$V_{RL}$	$V_{SSA}$	$V_{SSA} + 100$	mV
35	$V_{RL}$ Differential Voltage	$V_{RL} - V_{SSA}$	–100	100	mV
36	Analog Reference High Voltage	$V_{RH}$	$V_{DDA} - 100$	$V_{DDA}$	mV
37	$V_{REF}$ Differential Voltage	$V_{RH} - V_{RL}$	4.75	5.25	V
38	$V_{SSSYN}$ to $V_{SS}$ Differential Voltage	$V_{SSSYN} - V_{SS}$	–100	100	mV
39	Operating Temperature Range—Ambient (Packaged)	$T_A$ ( $T_L$ to $T_H$ )	–40.0	125.0	$^{\circ}$ C
40	Slew rate on power supply pins	—	—	25	V/ms
41	Weak Pull-Up/Down Resistance <sup>22</sup> , 200 K Option	$R_{PUPD200K}$	130	280	k $\Omega$
42	Weak Pull-Up/Down Resistance <sup>22</sup> , 100 K Option	$R_{PUPD100K}$	65	140	k $\Omega$
43	Weak Pull-Up/Down Resistance <sup>22</sup> , 5 K Option	$R_{PUPD5K}$	1.4	7.5	k $\Omega$
44	Pull-Up/Down Resistance Matching Ratios <sup>23</sup> (100K/200K)	$R_{PUPDMTCH}$	–2.5	+2.5	%

<sup>1</sup> Voltage overshoots during a high-to-low or low-to-high transition must not exceed 10 seconds per instance.

<sup>2</sup> 2.0 V for 10 hours cumulative time, 1.2 V +10% for time remaining.

<sup>3</sup> Assumed with DC load.

<sup>4</sup> 5.3 V for 10 hours cumulative time, 3.3 V +10% for time remaining.

<sup>5</sup> 6.4 V for 10 hours cumulative time, 5.0 V +10% for time remaining.

<sup>6</sup>  $V_{STBY}$  below 0.95 V the RAM will not retain states, but will be operational.  $V_{STBY}$  can be 0 V when bypass standby mode.

<sup>7</sup> Regulator is functional with derated performance, with supply voltage down to 4.0 V for system with  $V_{DDREG} = 4.5$  V (min).

<sup>8</sup> 2.7 V minimum operating voltage allowed during vehicle crank for system with  $V_{DDREG} = 3.0$  V (min). Normal operating voltage should be either  $V_{DDREG} = 3.0$  V (min) or 4.5 V (min) depending on the user regulation voltage system selected.

<sup>9</sup> Required to be supplied when 3.3 V regulator is disabled. See Section 4.5, “PMC/POR/LVI Electrical Specifications.”



- <sup>10</sup>  $I_{OH\_F} = \{16,32,47,77\}$  mA and  $I_{OL\_F} = \{24,48,71,115\}$  mA for  $\{00,01,10,11\}$  drive mode with  $V_{DDE} = 3.0$  V. This spec is for characterization only.
- <sup>11</sup>  $I_{OH\_S} = \{11.6\}$  mA and  $I_{OL\_S} = \{17.7\}$  mA for  $\{\text{medium}\}$  I/O with  $V_{DDE} = 4.5$  V;  
 $I_{OH\_S} = \{5.4\}$  mA and  $I_{OL\_S} = \{8.1\}$  mA for  $\{\text{medium}\}$  I/O with  $V_{DDE} = 3.0$  V. These specs are for characterization only.
- <sup>12</sup> Applies to D\_CLKOUT, external bus pins, and Nexus pins.
- <sup>13</sup>  $V_{STBY}$  current specified at 1.0 V at a junction temperature of 85 °C.  $V_{STBY}$  current is 700  $\mu$ A maximum at a junction temperature of 150 °C.
- <sup>14</sup> Power requirements for the  $V_{DD33}$  supply depend on the frequency of operation and load of all I/O pins, and the voltages on the I/O segments. See [Section 4.7.2, “I/O Pad  \$V\_{DD33}\$  Current Specifications,”](#) for information on both fast (F, FS) and medium (MH) pads. Also refer to [Table 16](#) for values to calculate power dissipation for specific operation.
- <sup>15</sup> This value is a target that is subject to change.
- <sup>16</sup> This value allows a 5 V reference to supply ADC + REF.
- <sup>17</sup> Power requirements for each I/O segment depend on the frequency of operation and load of the I/O pins on a particular I/O segment, and the voltage of the I/O segment. See [Section 4.7.1, “I/O Pad Current Specifications,”](#) for information on I/O pad power. Also refer to [Table 15](#) for values to calculate power dissipation for specific operation. The total power consumption of an I/O segment is the sum of the individual power consumptions for each pin on the segment.
- <sup>18</sup> Absolute value of current, measured at  $V_{IL}$  and  $V_{IH}$ .
- <sup>19</sup> Absolute value of current, measured at  $V_{IL}$  and  $V_{IH}$ .
- <sup>20</sup> Weak pull up/down inactive. Measured at  $V_{DDE} = 3.6$  V and  $V_{DDEH} = 5.25$  V. Applies to pad types F and MH.
- <sup>21</sup> Maximum leakage occurs at maximum operating temperature. Leakage current decreases by approximately one-half for each 8 to 12 °C, in the ambient temperature range of 50 to 125 °C. Applies to pad types AE and AE/up-down. See [Appendix A, Signal Properties and Muxing.](#)
- <sup>22</sup> This programmable option applies only to eQADC differential input channels and is used for biasing and sensor diagnostics
- <sup>23</sup> Pull-up and pull-down resistances are both enabled and settings are equal.

## 4.7.1 I/O Pad Current Specifications

The power consumption of an I/O segment is dependent on the usage of the pins on a particular segment. The power consumption is the sum of all output pin currents for a particular segment. The output pin current can be calculated from [Table 15](#) based on the voltage, frequency, and load on the pin. Use linear scaling to calculate pin currents for voltage, frequency, and load parameters that fall outside the values given in [Table 15](#).

The AC timing of these pads are described in the [Section 4.11.2, “Pad AC Specifications.”](#)

**Table 15.  $V_{DDE}/V_{DDEH}$  I/O Pad Average DC Current<sup>1</sup>**

Spec	Pad Type	Symbol	Frequency (MHz)	Load <sup>2</sup> (pF)	Voltage (V)	Drive/Slew Rate Select	Current (mA)
1	Medium	$I_{DRV\_MH}$	50	50	5.25	11	16.0
2			20	50	5.25	01	6.3
3			3.0	50	5.25	00	1.1
4			2.0	200	5.25	00	2.4
5	Fast	$I_{DRV\_FC}$	66	10	3.6	00	7.4
6			66	20	3.6	01	10.5
7			66	30	3.6	10	12.3
8			66	50	3.6	11	35.2

Table 15.  $V_{DDE}/V_{DDEH}$  I/O Pad Average DC Current<sup>1</sup> (continued)

Spec	Pad Type	Symbol	Frequency (MHz)	Load <sup>2</sup> (pF)	Voltage (V)	Drive/Slew Rate Select	Current (mA)
9	Fast w/ Slew Control	$I_{DRV\_FSR}$	66	50	3.6	11	12.7
10			50	50	3.6	10	6.7
11			33.33	50	3.6	01	4.2
12			20	50	3.6	00	2.6
13			20	200	3.6	00	9.1

<sup>1</sup> These are average IDDE numbers for worst case PVT from simulation. Currents apply to output pins only.

<sup>2</sup> All loads are lumped.

### 4.7.2 I/O Pad $V_{DD33}$ Current Specifications

The power consumption of the  $V_{DD33}$  supply is dependent on the usage of the pins on all I/O segments. The power consumption is the sum of all input and output pin  $V_{DD33}$  currents for all I/O segments. The  $V_{DD33}$  current draw on fast speed pads can be calculated from Table 16 dependent on the voltage, frequency, and load on all F type pins. The  $V_{DD33}$  current draw on medium pads can be calculated from Table 16 dependent on voltage and independent on the frequency and load on all MH type pins. Use linear scaling to calculate pin currents for voltage, frequency, and load parameters that fall outside the values given in Table 16.

The AC timing of these pads are described in the Section 4.11.2, “Pad AC Specifications.”

Table 16.  $V_{DD33}$  Pad Average DC Current<sup>1</sup>

Spec	Pad Type	Symbol	Frequency (MHz)	Load <sup>2</sup> (pF)	$V_{DD33}$ (V)	$V_{DDE}$ (V)	Drive/Slew Rate Select	Current (mA)
1	Medium	$I_{33\_MH}$	—	—	3.6	5.5	—	0.0007
2	Fast	$I_{33\_FC}$	66	10	3.6	3.6	00	0.92
3			66	20	3.6	3.6	01	1.14
4			66	30	3.6	3.6	10	1.50
5			66	50	3.6	3.6	11	2.19
6	Fast w/ Slew Control	$I_{33\_FSR}$	66	50	3.6	3.6	11	0.74
7			50	50	3.6	3.6	10	0.52
8			33.33	50	3.6	3.6	00	0.19
9			20	50	3.6	3.6	00	0.19
10			20	200	3.6	3.6	00	0.19

<sup>1</sup> These are average IDDE for worst case PVT from simulation. Currents apply to output pins only for the fast pads and to input pins only for the medium pads.

<sup>2</sup> All loads are lumped.

### 4.7.3 LVDS Pad Specifications

LVDS pads are implemented to support the MSC (Microsecond Channel) protocol, which is an enhanced feature of the DSPI module.

Table 17. DSPI LVDS pad specification

#	Characteristic	Symbol	Condition	Min. Value	Typ. Value	Max. Value	Unit
<b>Data Rate</b>							
1	Data Frequency	$f_{LVDSCLK}$	—	—	50	—	MHz
<b>Driver Specs</b>							
2	Differential output voltage	$V_{OD}$	SRC=0b00 or 0b11	150	—	400	mV
			SRC=0b01	90	—	320	
			SRC=0b10	160	—	480	
3	Common mode voltage (LVDS), VOS	$V_{OS}$	—	1.06	1.2	1.39	V
4	Rise/Fall time	$T_R/T_F$	—	—	2	—	ns
5	Propagation delay (Low to High)	$T_{PLH}$	—	—	4	—	ns
6	Propagation delay (High to Low)	$T_{PHL}$	—	—	4	—	ns
7	Delay (H/L), sync Mode	$t_{PDSYNC}$	—	—	4	—	ns
8	Delay, Z to Normal (High/Low)	$T_{DZ}$	—	—	500	—	ns
9	Diff Skew $t_{pHla-t_{pHbl}}$ or $t_{pHb-t_{pHla}}$	$T_{SKEW}$	—	—	—	0.5	ns
<b>Termination</b>							
10	Trans. Line (differential $Z_0$ )	—	—	95	100	105	ohms
11	Temperature	—	—	-40	—	150	°C

## 4.8 Oscillator and FMPLL Electrical Characteristics

Table 18. FMPLL Electrical Specifications<sup>1</sup>

( $V_{DDSYN} = 3.0\text{ V to }3.6\text{ V}$ ,  $V_{SS} = V_{SSSYN} = 0\text{ V}$ ,  $T_A = T_L\text{ to }T_H$ )

Spec	Characteristic	Symbol	Min	Max	Unit
1	PLL Reference Frequency Range <sup>2</sup> (Normal Mode)				MHz
	Crystal Reference (PLLCFG2 = 0b0)	$f_{ref\_crystal}$	8	20	
	Crystal Reference (PLLCFG2 = 0b1)	$f_{ref\_crystal}$	16	40 <sup>3</sup>	
	External Reference (PLLCFG2 = 0b0)	$f_{ref\_ext}$	8	20	
	External Reference (PLLCFG2 = 0b1)	$f_{ref\_ext}$	16	40	
2	Loss of Reference Frequency <sup>4</sup>	$f_{LOR}$	100	1000	kHz
3	Self Clocked Mode Frequency <sup>5</sup>	$f_{SCM}$	4	16	MHz
4	PLL Lock Time <sup>6</sup>	$t_{LPLL}$	—	< 400	μs

Table 18. FMPLL Electrical Specifications<sup>1</sup> (continued)(V<sub>DDSYN</sub> = 3.0 V to 3.6 V, V<sub>SS</sub> = V<sub>SSSYN</sub> = 0 V, T<sub>A</sub> = T<sub>L</sub> to T<sub>H</sub>)

Spec	Characteristic	Symbol	Min	Max	Unit
5	Duty Cycle of Reference <sup>7</sup>	t <sub>DC</sub>	40	60	%
6	Frequency un-LOCK Range	f <sub>UL</sub>	-4.0	4.0	% f <sub>sys</sub>
7	Frequency LOCK Range	f <sub>LCK</sub>	-2.0	2.0	% f <sub>sys</sub>
8	D_CLKOUT Period Jitter <sup>8,9</sup> Measured at f <sub>sys</sub> Max Cycle-to-cycle Jitter	C <sub>Jitter</sub>	-5	5	%f <sub>clkout</sub>
9	Peak-to-Peak Frequency Modulation Range Limit <sup>10,11</sup> (f <sub>sys</sub> Max must not be exceeded)	C <sub>mod</sub>	0	4	%f <sub>sys</sub>
10	FM Depth Tolerance <sup>12</sup>	C <sub>mod_err</sub>	-0.25	0.25	%f <sub>sys</sub>
11	VCO Frequency	f <sub>VCO</sub>	192	600	MHz
12	Modulation Rate Limits <sup>13</sup>	f <sub>mod</sub>	0.400	1	MHz
13	Predivider output frequency range <sup>14</sup>	f <sub>prediv</sub>	4	10	MHz

<sup>1</sup> All values given are initial design targets and subject to change.

<sup>2</sup> Crystal and External reference frequency limits depend on device relying on PLL to lock prior to release of reset, default PREDIV/EPREDIV, MFD/EMFD default settings, and VCO frequency range. Absolute minimum loop frequency is 4 MHz.

<sup>3</sup> Upper tolerance of less than 1% is allowed on 40MHz crystal.

<sup>4</sup> "Loss of Reference Frequency" is the reference frequency detected internally, which transitions the PLL into self clocked mode.

<sup>5</sup> Self clocked mode frequency is the frequency that the PLL operates at when the reference frequency falls below f<sub>LOP</sub>. This frequency is measured at D\_CLKOUT. A default RFD value of (0x05) is used in SCM mode, and the programmed MFD and RFD values have no effect

<sup>6</sup> This specification applies to the period required for the PLL to re-lock after changing the MFD frequency control bits in the synthesizer control register (SYNCR). From power up with crystal oscillator reference, lock time will be additive with crystal startup time.

<sup>7</sup> For Flexray operation, duty cycle requirements are higher.

<sup>8</sup> Jitter is the average deviation from the programmed frequency measured over the specified interval at maximum f<sub>sys</sub>. Measurements are made with the device powered by filtered supplies and clocked by a stable external clock signal. Noise injected into the PLL circuitry via V<sub>DDSYN</sub> and V<sub>SSSYN</sub> and variation in crystal oscillator frequency increase the C<sub>Jitter</sub> percentage for a given interval. D\_CLKOUT divider set to divide-by-2.

<sup>9</sup> Values are with frequency modulation disabled. If frequency modulation is enabled, jitter is the sum of C<sub>Jitter</sub> + C<sub>mod</sub>.

<sup>10</sup> Modulation depth selected must not result in f<sub>p||</sub> value greater than the f<sub>p||</sub> maximum specified value.

<sup>11</sup> Maximum and minimum variation from programmed modulation depth is pending characterization. Depth settings available in control register are: 2%, 3%, and 4% peak-to-peak.

<sup>12</sup> Depth tolerance is the programmed modulation depth ±0.25% of F<sub>sys</sub>. Violating the VCO min/max range may prevent the system from exiting reset.

<sup>13</sup> Modulation rates less than 400 kHz will result in exceedingly long FM calibration durations. Modulation rates greater than 1 MHz will result in reduced calibration accuracy.

<sup>14</sup> Violating this range will cause the VCO max/min range to be violated with the default MFD settings out of reset.

**Table 19. Oscillator Electrical Specifications<sup>1</sup>**  
 ( $V_{DDSYN} = 3.0\text{ V to }3.6\text{ V}$ ,  $V_{SS} = V_{SSSYN} = 0\text{ V}$ ,  $T_A = T_L\text{ to }T_H$ )

Spec	Characteristic	Symbol	Min	Max	Unit
1	Crystal Mode Differential Amplitude <sup>2</sup> (Min differential voltage between EXTAL and XTAL)	$V_{\text{crystal\_diff\_amp}}$	$ V_{\text{extal}} - V_{\text{xtal}}  > 0.4\text{ V}$	—	V
2	Crystal Mode: Internal Differential Amplifier Noise Rejection	$V_{\text{crystal\_diff\_amp\_nr}}$	—	$ V_{\text{extal}} - V_{\text{xtal}}  < 0.2\text{ V}$	V
3	EXTAL Input High Voltage Bypass mode, External Reference	$V_{\text{IHEXT}}$	$((V_{\text{DD33}}/2) + 0.4\text{ V})$	—	V
4	EXTAL Input Low Voltage Bypass mode, External Reference	$V_{\text{ILEXT}}$	—	$(V_{\text{DD33}}/2) - 0.4\text{ V}$	V
5	XTAL Current <sup>3</sup>	$I_{\text{XTAL}}$	1	3	mA
6	Total On-chip stray capacitance on XTAL	$C_{\text{S\_XTAL}}$	—	1.5	pF
7	Total On-chip stray capacitance on EXTAL	$C_{\text{S\_EXTAL}}$	—	1.5	pF
8	Crystal manufacturer's recommended capacitive load	$C_L$	See crystal spec	See crystal spec	pF
9	Discrete load capacitance to be connected to EXTAL	$C_{\text{L\_EXTAL}}$	—	$(2 \times C_L - C_{\text{S\_EXTAL}} - C_{\text{PCB\_EXTAL}})$	pF
10	Discrete load capacitance to be connected to XTAL	$C_{\text{L\_XTAL}}$	—	$(2 \times C_L - C_{\text{S\_XTAL}} - C_{\text{PCB\_XTAL}})$	pF

<sup>1</sup> All values given are initial design targets and subject to change.

<sup>2</sup> This parameter is meant for those who do not use quartz crystals or resonators, but instead use CAN oscillators in crystal mode. In that case,  $V_{\text{extal}} - V_{\text{xtal}} \geq 400\text{ mV}$  criterion has to be met for oscillator's comparator to produce output clock.

<sup>3</sup>  $I_{\text{xtal}}$  is the oscillator bias current out of the XTAL pin with both EXTAL and XTAL pins grounded.

<sup>4</sup>  $C_{\text{PCB\_EXTAL}}$  and  $C_{\text{PCB\_XTAL}}$  are the measured PCB stray capacitances on EXTAL and XTAL, respectively.

## 4.9 eQADC Electrical Characteristics

**Table 20. eQADC Conversion Specifications (Operating)**

Spec	Characteristic	Symbol	Min	Max	Unit
1	ADC Clock (ADCLK) Frequency	$f_{\text{ADCLK}}$	2	16	MHz
2	Conversion Cycles Single Ended Conversion Cycles 12 bit resolution Single Ended Conversion Cycles 10 bit resolution Single Ended Conversion Cycles 8 bit resolution <b>Note:</b> Differential conversion (min) is one clock cycle less than the single-ended conversion values listed here.	CC	2 + 14 2 + 12 2 + 10	128 + 14 128 + 12 128 + 10	ADCLK cycles
3	Stop Mode Recovery Time <sup>1</sup>	$T_{\text{SR}}$	10	—	$\mu\text{s}$
4	Resolution <sup>2</sup>	—	1.25	—	mV
5	INL: 8 MHz ADC Clock <sup>3</sup>	INL8	$-4^4$	$4^4$	LSB <sup>5</sup>
6	INL: 16 MHz ADC Clock <sup>3</sup>	INL16	$-8^4$	$8^4$	LSB
7	DNL: 8 MHz ADC Clock <sup>3</sup>	DNL8	$-3^4$	$3^4$	LSB
8	DNL: 16 MHz ADC Clock <sup>3</sup>	DNL16	$-3^4$	$3^4$	LSB

Table 20. eQADC Conversion Specifications (Operating) (continued)

Spec	Characteristic	Symbol	Min	Max	Unit
9	Offset Error without Calibration	OFFNC	0 <sup>4</sup>	100 <sup>4</sup>	LSB
10	Offset Error with Calibration	OFFWC	-4 <sup>4</sup>	4 <sup>4</sup>	LSB
11	Full Scale Gain Error without Calibration	GAINNC	-120 <sup>4</sup>	0 <sup>4</sup>	LSB
12	Full Scale Gain Error with Calibration	GAINWC	-4 <sup>4,6</sup>	4 <sup>4,6</sup>	LSB
13	Non-Disruptive Input Injection Current <sup>7, 8, 9, 10</sup>	I <sub>INJ</sub>	-3	3	mA
14	Incremental Error due to injection current <sup>11, 12</sup>	E <sub>INJ</sub>	-4 <sup>4</sup>	4 <sup>4</sup>	Counts
15	TUE value at 8 MHz <sup>13, 14</sup> (with calibration)	TUE8	-4 <sup>4,6</sup>	4 <sup>4,6</sup>	Counts
16	TUE value at 16 MHz <sup>13, 14</sup> (with calibration)	TUE16	-8	8	Counts
17	Maximum differential voltage <sup>15</sup> (DANx+ - DANx-) or (DANx- - DANx+) PREGAIN set to 1X setting PREGAIN set to 2X setting PREGAIN set to 4X setting	DIFF <sub>max</sub> DIFF <sub>max2</sub> DIFF <sub>max4</sub>	— — —	(V <sub>RH</sub> - V <sub>RL</sub> )/2 (V <sub>RH</sub> - V <sub>RL</sub> )/4 (V <sub>RH</sub> - V <sub>RL</sub> )/8	V V V
18	Differential input Common mode voltage <sup>15</sup> (DANx- + DANx+)/2	DIFF <sub>cmv</sub>	(V <sub>RH</sub> - V <sub>RL</sub> )/2 - 5%	(V <sub>RH</sub> - V <sub>RL</sub> )/2 + 5%	V

<sup>1</sup> Stop mode recovery time is the time from the setting of either of the enable bits in the ADC Control Register to the time that the ADC is ready to perform conversions. Delay from power up to full accuracy = 8 ms.

<sup>2</sup> At V<sub>RH</sub> - V<sub>RL</sub> = 5.12 V, one count = 1.25 mV without using pregain.

<sup>3</sup> INL and DNL are tested from V<sub>RL</sub> + 50 LSB to V<sub>RH</sub> - 50 LSB. The eQADC is guaranteed to be monotonic at 10 bit accuracy (12 bit resolution selected).

<sup>4</sup> New design target. Actual specification will change following characterization. Margin for manufacturing has not been fully included.

<sup>5</sup> At V<sub>RH</sub> - V<sub>RL</sub> = 5.12 V, one LSB = 1.25 mV.

<sup>6</sup> The value is valid at 8 MHz, it is ±8 counts at 16 Mhz.

<sup>7</sup> Below disruptive current conditions, the channel being stressed has conversion values of \$3FF for analog inputs greater than V<sub>RH</sub> and \$000 for values less than V<sub>RL</sub>. Other channels are not affected by non-disruptive conditions.

<sup>8</sup> Exceeding limit may cause conversion error on stressed channels and on unstressed channels. Transitions within the limit do not affect device reliability or cause permanent damage.

<sup>9</sup> Input must be current limited to the value specified. To determine the value of the required current-limiting resistor, calculate resistance values using V<sub>POSCLAMP</sub> = V<sub>DDA</sub> + 0.5 V and V<sub>NEGCLAMP</sub> = -0.3 V, then use the larger of the calculated values.

<sup>10</sup> Condition applies to two adjacent pins at injection limits.

<sup>11</sup> Performance expected with production silicon.

<sup>12</sup> All channels have same 10 kΩ < R<sub>s</sub> < 100 kΩ Channel under test has R<sub>s</sub> = 10 kΩ, I<sub>INJ</sub> = I<sub>INJMAX</sub>, I<sub>INJMIN</sub>.

<sup>13</sup> The TUE specification is always less than the sum of the INL, DNL, offset, and gain errors due to cancelling errors.

<sup>14</sup> TUE does not apply to differential conversions.

<sup>15</sup> Voltages between V<sub>RL</sub> and V<sub>RH</sub> will not cause damage to the pins. However, they may not be converted accurately if the differential voltage is above the maximum differential voltage. In addition, conversion errors may occur if the common mode voltage of the differential signal violates the Differential Input common mode voltage specification.

## 4.9.1 ADC Internal Resource Measurements

Table 21. Power Management Control (PMC) Specification

Spec	Characteristic	Symbol	Min	Typical	Max	Unit
<b>PMC Normal Mode</b>						
1	Bandgap 0.62 V ADC0 channel 145	$V_{ADC145}$	—	0.62	—	V
2	Bandgap 1.2 V ADC0 channel 146	$V_{ADC146}$	—	1.22	—	V
3	Vreg1p2 Feedback ADC0 channel 147	$V_{ADC147}$	—	$V_{DD} / 2.045$	—	V
4	LVD 1.2 V ADC0 channel 180	$V_{ADC180}$	—	$V_{DD} / 1.774$	—	V
5	Vreg3p3 Feedback ADC0 channel 181	$V_{ADC181}$	—	$V_{reg3p3} / 5.460$	—	V
6	LVD 3.3 V ADC0 channel 182	$V_{ADC182}$	—	$V_{reg3p3} / 4.758$	—	V
7	LVD 5.0 V ADC0 channel 183 — LDO mode — SMPS mode	$V_{ADC183}$	—	$V_{DDREG} / 4.758$ $V_{DDREG} / 7.032$	—	V

Table 22. Standby RAM Regulator Electrical Specifications

Spec	Characteristic	Symbol	Min	Typ	Max	Unit
<b>Normal Mode</b>						
1	Standby Regulator Output ADC1 channel 194	$V_{ADC194}$	—	1.2	—	V
2	Standby Source Bias 150 mV to 360 mV (30mV Increment @ vref_sel) ADC1 channel 195 Default Value 150 mV (@vref_sel = 1 1 1)	$V_{ADC195}$	150	—	360	mV
3	Standby Brownout Reference ADC1 channel 195	$V_{ADC195}$	500	—	850	mV

## Electrical Characteristics

**Table 23. ADC Band Gap Reference / LVI Electrical Specifications**

Spec	Characteristic	Symbol	Min	Typ	Max	Unit
1	4.75 LVD (from $V_{DDA}$ ) ADC1 channel 196	$V_{ADC196}$	—	4.75	—	V
2	ADC Bandgap ADC0 channel 45 ADC1 channel 45	$V_{ADC45}$	1.171	1.220	1.269	V

**Table 24. Temperature Sensor Electrical Specifications**

Spec	Characteristic	Symbol	Min	Typ	Max	Unit
1	Slope –40 °C to 100 °C $\pm 1.0$ °C 100 °C to 150 °C $\pm 1.6$ °C ADC0 channel 128 ADC1 channel 128	$V_{SADC128}$ <sup>1</sup>	—	5.8	—	mV/ °C
2	Accuracy –40 °C to 150 °C ADC0 channel 128 ADC1 channel 128	—	—	$\pm 10.0$	—	°C

<sup>1</sup> Slope is the measured voltage change per °C.

## 4.10 C90 Flash Memory Electrical Characteristics

**Table 25. Flash Program and Erase Specifications**

Spec	Characteristic	Symbol	Min	Typ <sup>1</sup>	Initial Max <sup>2</sup>	Max <sup>3</sup>	Unit
1	Double Word (64 bits) Program Time <sup>4</sup>	$t_{dwprogram}$	—	38	—	500	$\mu s$
2	Page Program Time <sup>4,5</sup>	$t_{pprogram}$	—	45	160	500	$\mu s$
3	16 KB Block Pre-program and Erase Time	$t_{16kpperase}$	—	270	1000	5000	ms
4	64 KB Block Pre-program and Erase Time	$t_{64kpperase}$	—	800	1800	5000	ms
5	128 KB Block Pre-program and Erase Time	$t_{128kpperase}$	—	1500	2600	7500	ms
6	256 KB Block Pre-program and Erase Time	$t_{256kpperase}$	—	3000	5200	15000	ms

<sup>1</sup> Typical program and erase times assume nominal supply values and operation at 25 °C.

<sup>2</sup> Initial factory condition:  $\leq 100$  program/erase cycles, 25 °C, typical supply voltage, 80 MHz minimum system frequency.

<sup>3</sup> The maximum erase time occurs after the specified number of program/erase cycles. This maximum value is characterized but not guaranteed.

<sup>4</sup> Program times are actual hardware programming times and do not include software overhead.

<sup>5</sup> Page size is 128 bits (4 words).



Table 26. Flash EEPROM Module Life

Spec	Characteristic	Symbol	Min	Typical <sup>1</sup>	Unit
1	Number of program/erase cycles per block for 16 KB and 64 KB blocks over the operating temperature range (T <sub>J</sub> )	P/E	100,000	—	cycles
2	Number of program/erase cycles per block for 128 KB and 256 KB blocks over the operating temperature range (T <sub>J</sub> )	P/E	1,000	100,000	cycles
3	Minimum Data Retention at 85 °C ambient temperature <sup>2</sup> Blocks with 0–1,000 P/E cycles Blocks with 1,001–10,000 P/E cycles Blocks with 10,001–100,000 P/E cycles	Retention	20 10 5	— — —	years

<sup>1</sup> Typical endurance is evaluated at 25 °C. Product qualification is performed to the minimum specification. For additional information on the NXP definition of Typical Endurance, please refer to Engineering Bulletin EB619, *Typical Endurance for Nonvolatile Memory*.

<sup>2</sup> Ambient temperature averaged over duration of application, not to exceed product operating temperature range.

Table 27 shows the Platform Flash Configuration Register 1 (PFCPR1) settings versus frequency of operation. Refer to the device reference manual for definitions of these bit fields.

Table 27. PFCPR1 Settings vs. Frequency of Operation<sup>1</sup>

Spec	Clock Mode	Maximum Frequency <sup>2</sup> (MHz)		APC = RWSC	WWSC	DPFEN <sup>3</sup>	IPFEN <sup>3</sup>	PFLIM <sup>4</sup>	BFEN <sup>5</sup>
		Core f <sub>sys</sub>	Platform f <sub>platf</sub>						
1	Enhanced	264 MHz <sup>6</sup>	132 MHz <sup>6</sup>	0b011	0b01	0b0 0b1	0b0 0b1	0b00 0b01 0b1x	0b0 0b1
2	Enhanced/ Full	200 MHz	100 MHz	0b010	0b01	0b0 0b1	0b0 0b1	0b00 0b01 0b1x	0b0 0b1
3	Legacy	132 MHz	132 MHz	0b100	0b01	0b0 0b1	0b0 0b1	0b00 0b01 0b1x	0b0 0b1
Default setting after reset:				0b111	0b11	0b00	0b00	0b00	0b0

<sup>1</sup> Illegal combinations exist. Use entries from the same row in this table.

<sup>2</sup> This is the nominal maximum frequency of operation: platform runs at f<sub>sys</sub>/2 in Enhanced Mode .

<sup>3</sup> For maximum flash performance, set to 0b1.

<sup>4</sup> For maximum flash performance, set to 0b10.

<sup>5</sup> For maximum flash performance, set to 0b1.

<sup>6</sup> This is the nominal maximum frequency of operation in Enhanced Mode. Max speed is the maximum speed allowed including frequency modulation (FM). 270 MHz parts allow for 264 MHz system core clock (f<sub>sys</sub>) + 2% FM and 132 MHz platform clock (f<sub>platf</sub>) + 2% FM.

## 4.11 AC Specifications

### 4.11.1 Clocking

The Figure 16 shows the operating frequency domains of various blocks on MPC5674F.

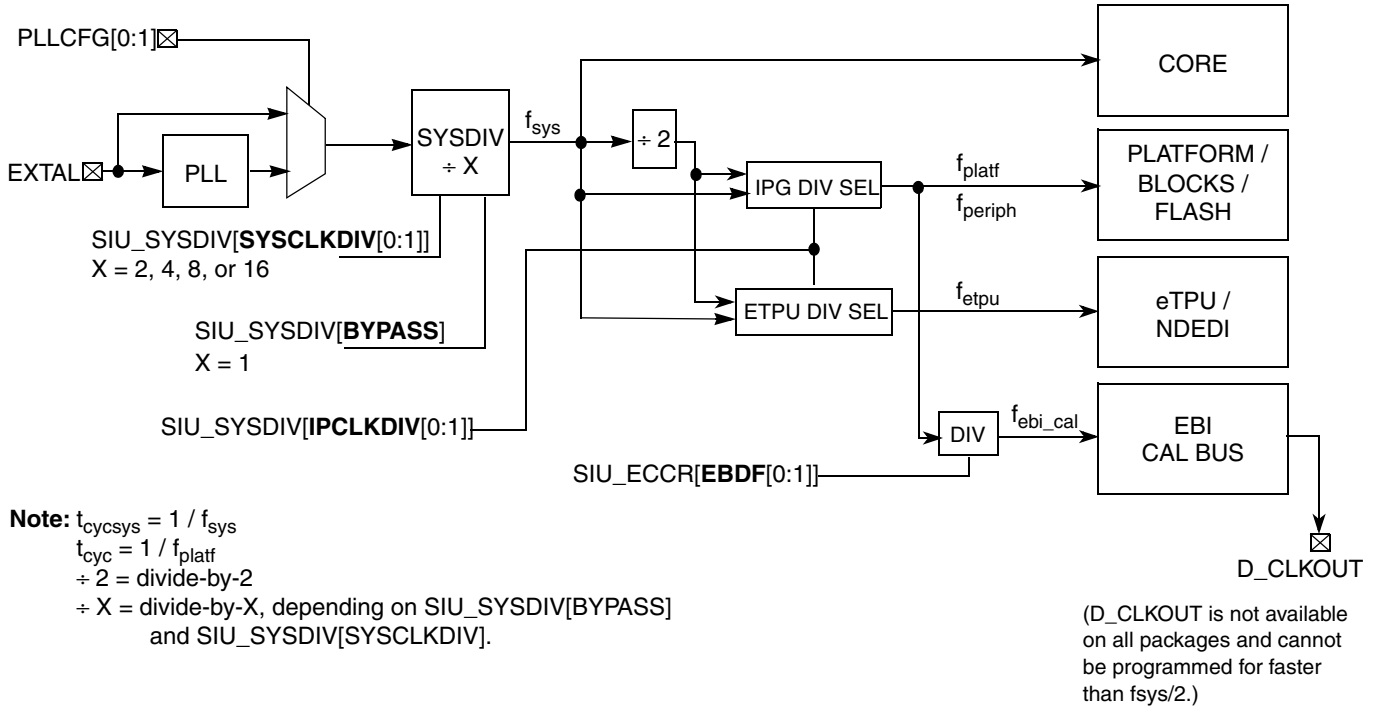


Figure 16. MPC5674F Block Operating Frequency Domain Diagram

Table 28 shows the operating frequencies of various blocks depending on the device’s clocking mode configuration settings (see Table 29 and Table 30 for descriptions of bit settings).

Table 28. MPC5674F Operating Frequencies<sup>1, 2</sup>

Mode	SIU_ECCR [EBDF[0:1]] <sup>3</sup>	$f_{sys}$ (core)	$f_{platf}$ (platform and all blocks except eTPU)	$f_{etpu}$ (eTPU, eTPU RAM, and NDEDI)	$f_{ebi\_cal}$ <sup>4,5</sup>	Unit
Enhanced	01	264	132	132	66	MHz
	11	264	132	132	33	
Full	01	200	100	200	50	MHz
	11	200	100	200	25	
Legacy	01	132	132	132	66	MHz
	11	132	132	132	33	

<sup>1</sup> The values in the table are specified at:  
 $V_{DD} = 1.02 \text{ V to } 1.32 \text{ V}$   
 $V_{DDE} = 3.0 \text{ V to } 3.6 \text{ V}$   
 $V_{DDEH} = 4.5 \text{ V to } 5.5 \text{ V}$   
 $V_{DD33}$  and  $V_{DDSYN} = 3.0 \text{ V to } 3.6 \text{ V}$   
 $T_A = T_L \text{ to } T_H$ .

- <sup>2</sup> Up to the maximum frequency rating of the device (refer to [Table 1](#)). The  $f_{\text{sys}}$  speed is the nominal maximum frequency. 270 Mhz parts allow for 264 Mhz system clock + 2% FM.
- <sup>3</sup> See the *MPC5674F Reference Manual* for full description as not all bit combinations are valid.
- <sup>4</sup> EBI/Calibration bus is not available in all packages.
- <sup>5</sup> The EBI/Calibration Bus operating frequency,  $f_{\text{ebi\_cal}}$ , depends on clock divider settings of block's max allowed frequency of operation. Normally  $f_{\text{ebi\_cal}} = f_{\text{platf}} / 2$ , but can be limited to  $< f_{\text{platf}} / 2$  in Full Mode.

**Table 29. IPCLKDIV Settings**

SIU_SYSDIV [IPCLKDIV[0:1]]	Mode	Description
00	Enhanced	CPU frequency is doubled (Max 264Mhz). Platform, peripheral, and eTPU clocks are 1/2 of CPU frequency
01	Full	CPU and eTPU frequency is doubled (Max 200Mhz). Platform and peripheral clocks are 1/2 of CPU frequency.
10	—	Reserved
11	Legacy	CPU, eTPU, platform, and peripheral's clocks all run at same speed (Max 132Mhz).

**Table 30. SYSCLKDIV Settings**

SIU_SYSDIV [SYSCLKDIV[0:1]]	Description
00	Divide by 2.
01	Divide by 4.
10	Divide by 8.
11	Divide by 16.

## 4.11.2 Pad AC Specifications

Table 31. Pad AC Specifications ( $V_{DDEH} = 5.0\text{ V}$ ,  $V_{DDE} = 3.3\text{ V}$ )<sup>1</sup>

Spec	Pad	SRC/DSC	Out Delay <sup>2,4</sup> L → H/H → L (ns)	Rise/Fall <sup>3,4</sup> (ns)	Load Drive (pF)
1	Medium <sup>5</sup>	00	152/165	70/74	50
2			205/220	96/96	200
3		01	28/34	12/15	50
4			52/59	28/31	200
5		11	12/12	5.3/5.9	50
6			32/32	22/22	200
7	Fast <sup>6</sup>	00	2.5	1.2	10
8		01			20
9		10			30
10		11			50
11	Fast with Slew Rate	00	40/40	16/16	50
12			50/50	21/21	200
13		01	13/13	5/5	50
14			19/19	8/8	200
15		10	8/8	2.4/2.4	50
16			12/12	5/5	200
17		11	5/5	1.1/1/1	50
18			8/8	2.6	2.6
19	Pull Up/Down (3.6 V max)	—	—	7500	50
20	Pull Up/Down (5.25 V max)	—	6000	5000/5000	50

<sup>1</sup> These are worst case values that are estimated from simulation and not tested. The values in the table are simulated at  $V_{DD} = 1.02\text{ V}$  to  $1.32\text{ V}$ ,  $V_{DDE} = 3.0\text{ V}$  to  $3.6\text{ V}$ ,  $V_{DDEH} = 4.75\text{ V}$  to  $5.25\text{ V}$ ,  $V_{DD33}$  and  $V_{DDSYN} = 3.0\text{ V}$  to  $3.6\text{ V}$ ,  $T_A = T_L$  to  $T_H$ .

<sup>2</sup> This parameter is supplied for reference and is not guaranteed by design and not tested.

<sup>3</sup> This parameter is guaranteed by characterization before qualification rather than 100% tested.

<sup>4</sup> Delay and rise/fall are measured to 20% or 80% of the respective signal.

<sup>5</sup> Out delay is shown in Figure 17. Add a maximum of one system clock to the output delay for delay with respect to system clock.

<sup>6</sup> Out delay is shown in Figure 17. Add a maximum of one system clock to the output delay for delay with respect to system clock.

Table 32. Derated Pad AC Specifications ( $V_{DDEH} = 3.3\text{ V}$ )<sup>1</sup>

Spec	Pad	SRC/DSC	Out Delay <sup>2,3</sup> L → H/H → L (ns)	Rise/Fall <sup>4,3</sup> (ns)	Load Drive (pF)
1	Medium <sup>5</sup>	00	200/210	86/86	50
2			270/285	120/120	200
3		01	37/45	15.5/19	50
4			69/82	38/43	200
5		11	18/17	7.6/8.5	50
6			46/49	30/34	200

<sup>1</sup> These are worst case values that are estimated from simulation and not tested. The values in the table are simulated at  $V_{DD} = 1.08\text{ V}$  to  $1.32\text{ V}$ ,  $V_{DDE} = 3.0\text{ V}$  to  $3.6\text{ V}$ ,  $V_{DDEH} = 3.0\text{ V}$  to  $3.6\text{ V}$ ,  $V_{DD33}$  and  $V_{DDSYN} = 3.0\text{ V}$  to  $3.6\text{ V}$ ,  $T_A = T_L$  to  $T_H$ .

<sup>2</sup> This parameter is supplied for reference and is not guaranteed by design and not tested.

<sup>3</sup> Delay and rise/fall are measured to 20% or 80% of the respective signal.

<sup>4</sup> This parameter is guaranteed by characterization before qualification rather than 100% tested.

<sup>5</sup> Out delay is shown in Figure 17. Add a maximum of one system clock to the output delay for delay with respect to system clock.

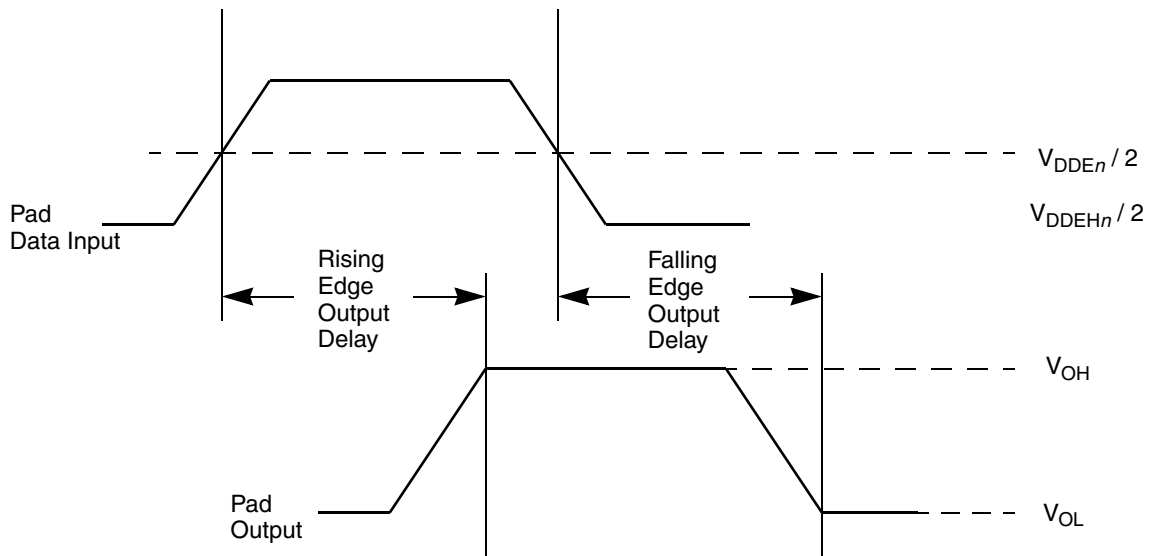


Figure 17. Pad Output Delay

## 4.12 AC Timing

### 4.12.1 Generic Timing Diagrams

The generic timing diagrams in Figure 18 and Figure 19 apply to all I/O pins with pad types F and MH. See Appendix A, Signal Properties and Muxing, for the pad type for each pin.

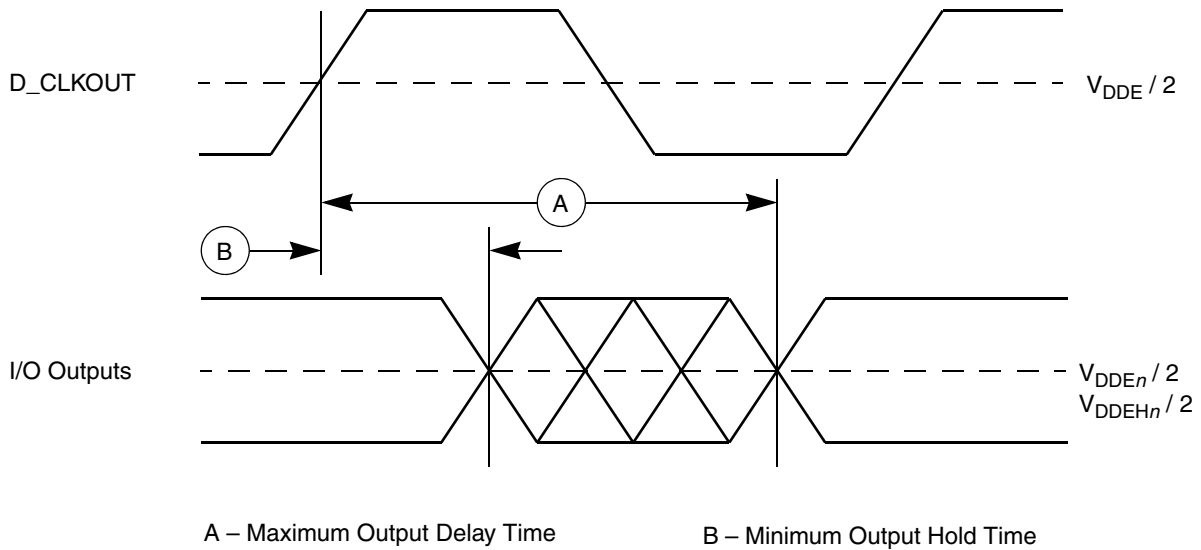


Figure 18. Generic Output Delay/Hold Timing

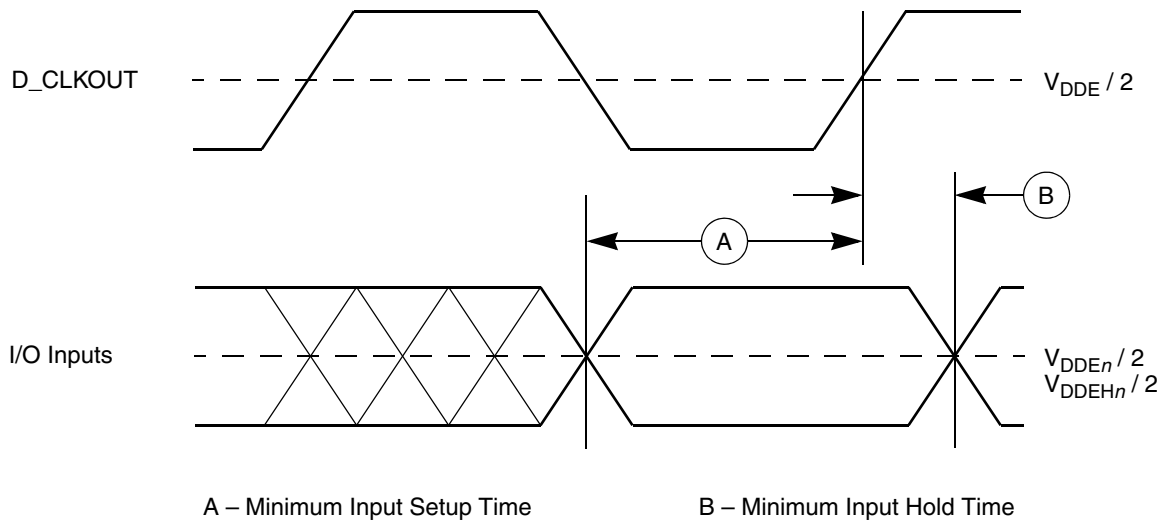


Figure 19. Generic Input Setup/Hold Timing

### 4.12.2 Reset and Configuration Pin Timing

Table 33. Reset and Configuration Pin Timing<sup>1</sup>

Spec	Characteristic	Symbol	Min	Max	Unit
1	$\overline{\text{RESET}}$ Pulse Width	$t_{\text{RPW}}$	10	—	$t_{\text{cyc}}^2$
2	$\overline{\text{RESET}}$ Glitch Detect Pulse Width	$t_{\text{GPW}}$	2	—	$t_{\text{cyc}}^2$
3	PLLCFG, BOOTCFG, WKPCFG Setup Time to $\overline{\text{RSTOUT}}$ Valid	$t_{\text{RCSU}}$	10	—	$t_{\text{cyc}}^2$
4	PLLCFG, BOOTCFG, WKPCFG Hold Time to $\overline{\text{RSTOUT}}$ Valid	$t_{\text{RCH}}$	0	—	$t_{\text{cyc}}^2$

<sup>1</sup> Reset timing specified at:  $V_{\text{DDEH}} = 3.0 \text{ V to } 5.25 \text{ V}$ ,  $V_{\text{DD}} = 1.08 \text{ V to } 1.32 \text{ V}$ ,  $T_{\text{A}} = T_{\text{L}} \text{ to } T_{\text{H}}$ .

<sup>2</sup> See Notes on  $t_{cyc}$  on Figure 16 and Table 28 in Section 4.11.1, "Clocking."

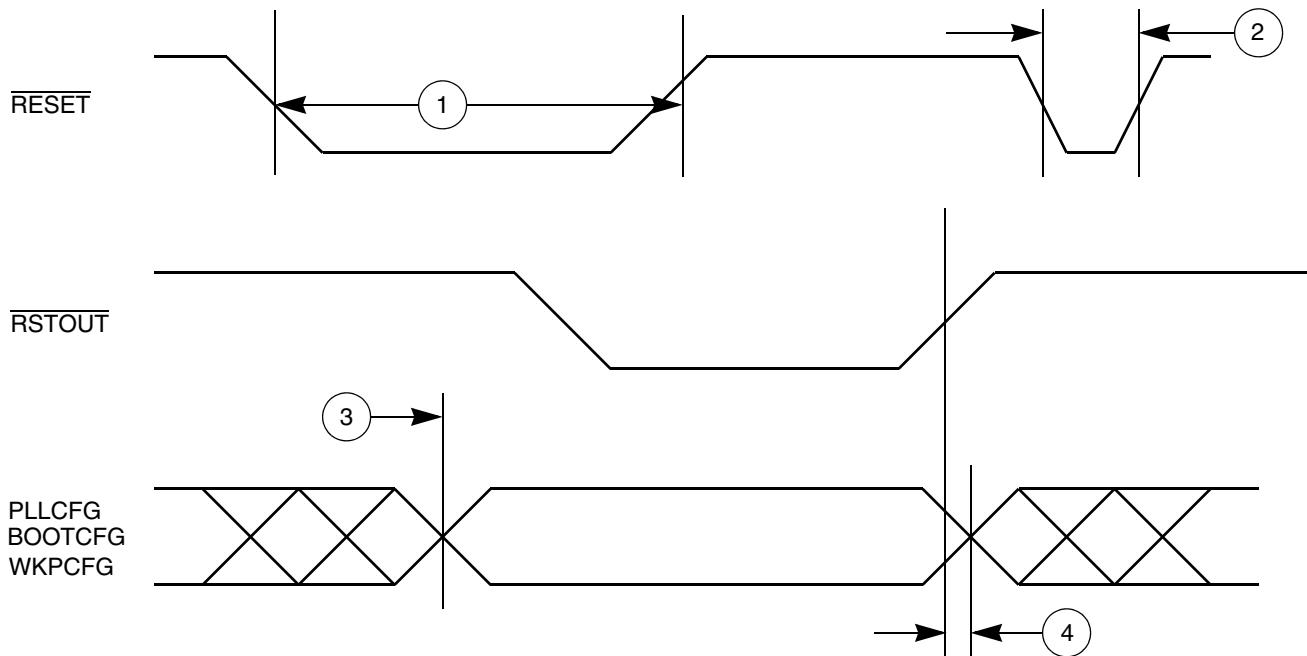


Figure 20. Reset and Configuration Pin Timing

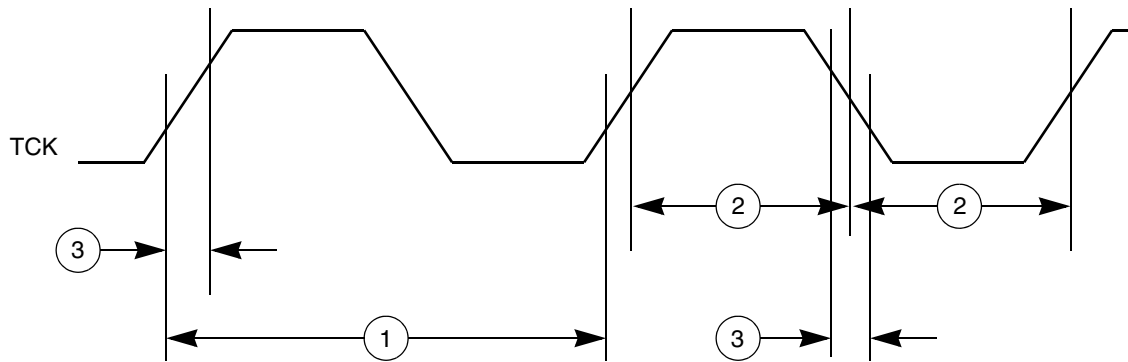
### 4.12.3 IEEE 1149.1 Interface Timing

Table 34. JTAG Pin AC Electrical Characteristics<sup>1</sup>

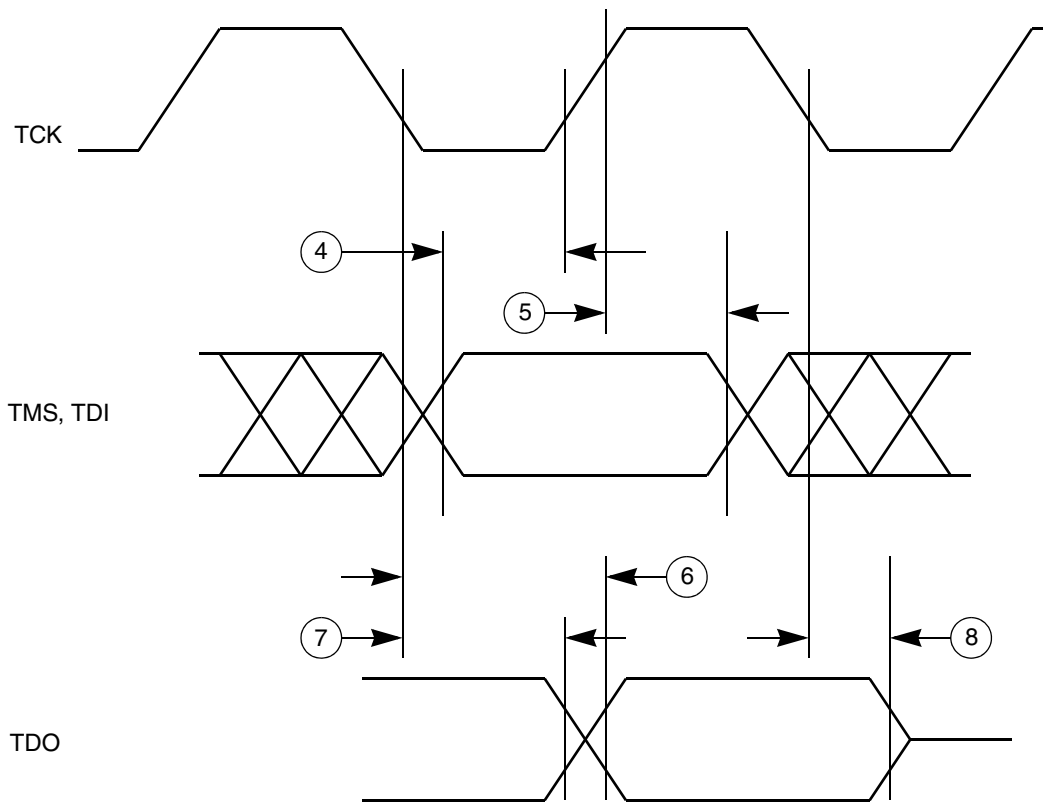
Spec	Characteristic	Symbol	Min	Max	Unit
1	TCK Cycle Time	$t_{JCYC}$	100	—	ns
2	TCK Clock Pulse Width (Measured at $V_{DDE} / 2$ )	$t_{JDC}$	40	60	ns
3	TCK Rise and Fall Times (40%–70%)	$t_{TCKRISE}$	—	3	ns
4	TMS, TDI Data Setup Time	$t_{TMSS}, t_{TDIS}$	5	—	ns
5	TMS, TDI Data Hold Time	$t_{TMSH}, t_{TDIH}$	25	—	ns
6	TCK Low to TDO Data Valid	$t_{TDOV}$	—	10	ns
7	TCK Low to TDO Data Invalid	$t_{TDOI}$	0	—	ns
8	TCK Low to TDO High Impedance	$t_{TDOHZ}$	—	20	ns
9	JCOMP Assertion Time	$t_{JCOMPW}$	100	—	ns
10	JCOMP Setup Time to TCK Low	$t_{JCMPS}$	40	—	ns
11	TCK Falling Edge to Output Valid	$t_{BSDV}$	—	50	ns
12	TCK Falling Edge to Output Valid out of High Impedance	$t_{BSDVZ}$	—	50	ns
13	TCK Falling Edge to Output High Impedance	$t_{BSDHZ}$	—	50	ns
14	Boundary Scan Input Valid to TCK Rising Edge	$t_{BSDST}$	50	—	ns
15	TCK Rising Edge to Boundary Scan Input Invalid	$t_{BSDHT}$	50	—	ns

## Electrical Characteristics

<sup>1</sup> JTAG timing specified at  $V_{DD} = 1.08\text{ V to }1.32\text{ V}$ ,  $V_{DDE} = 3.0\text{ V to }3.6\text{ V}$ ,  $V_{DD33}$  and  $V_{DDSYN} = 3.0\text{ V to }3.6\text{ V}$ ,  $T_A = T_L$  to  $T_H$ , and  $C_L = 30\text{ pF}$  with  $DSC = 0b10$ ,  $SRC = 0b00$ . These specifications apply to JTAG boundary scan only. See [Table 35](#) for functional specifications.



**Figure 21. JTAG Test Clock Input Timing**



**Figure 22. JTAG Test Access Port Timing**



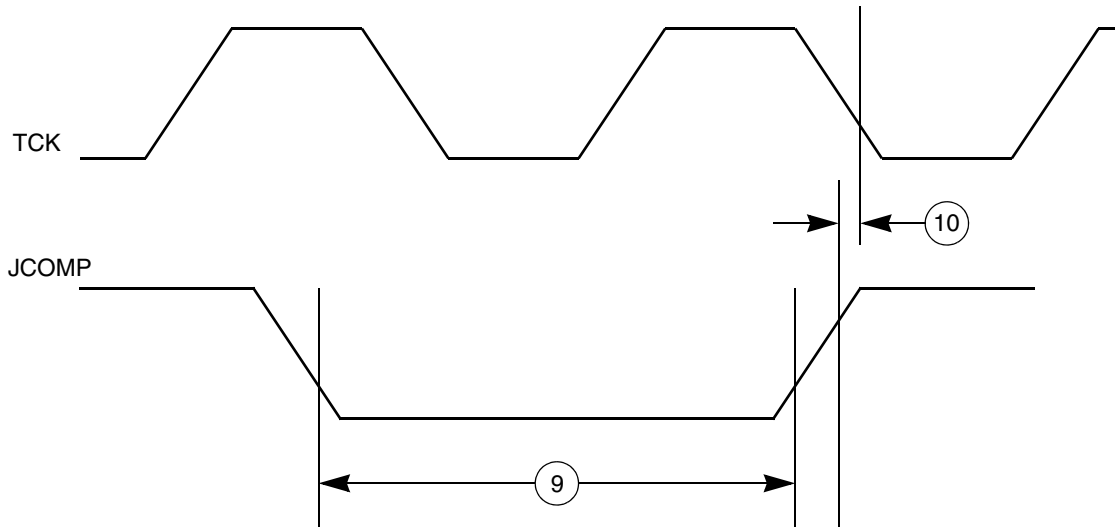


Figure 23. JTAG JCOMP Timing

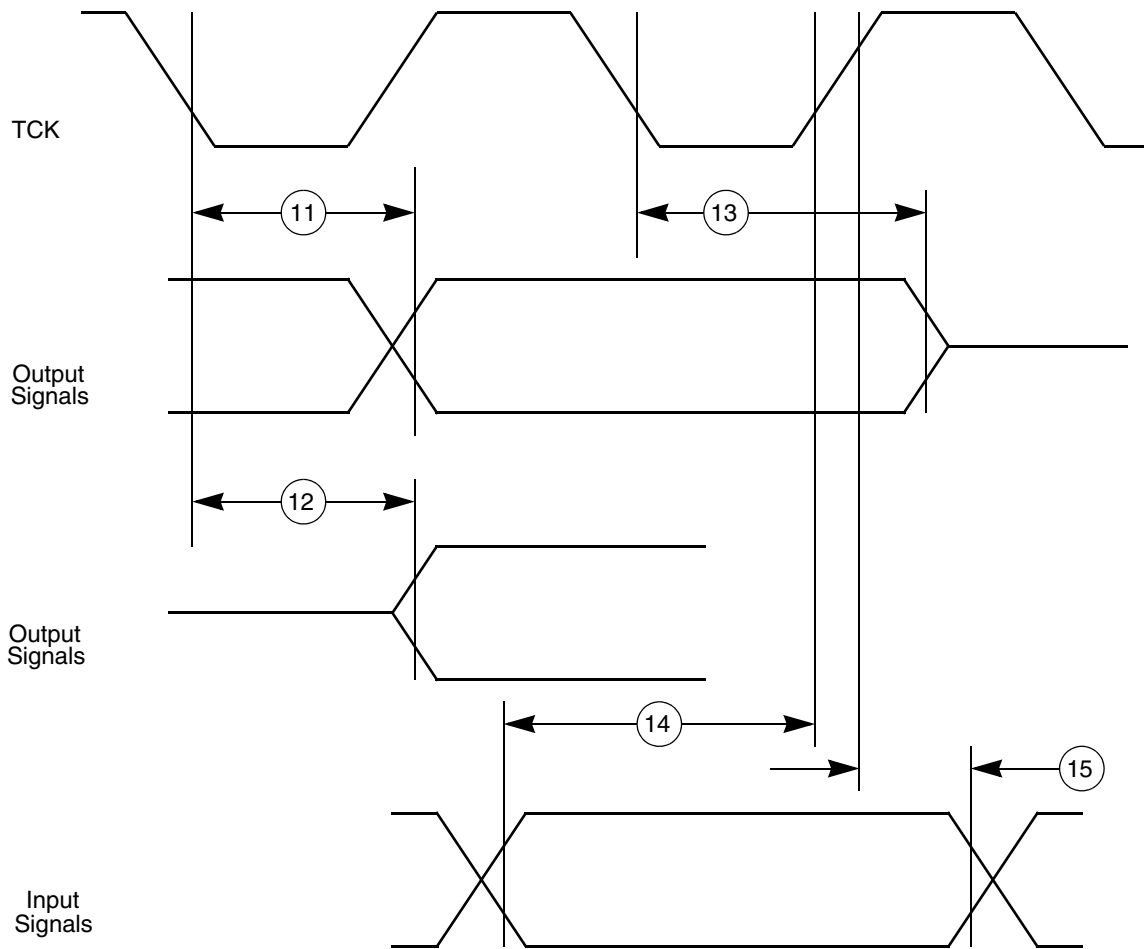


Figure 24. JTAG Boundary Scan Timing

## 4.12.4 Nexus Timing

Table 35. Nexus Debug Port Timing<sup>1</sup>

Spec	Characteristic	Symbol	Min	Max	Unit
1	MCKO Cycle Time	$t_{MCCYC}$	2 <sup>2</sup>	8	$t_{CYC}$ <sup>3</sup>
2	MCKO Duty Cycle	$t_{MDC}$	40	60	%
3	MCKO Low to MDO Data Valid <sup>4</sup>	$t_{MDOV}$	-0.1	0.2	$t_{MCCYC}$
4	MCKO Low to $\overline{MSEO}$ Data Valid <sup>4</sup>	$t_{MSEOV}$	-0.1	0.2	$t_{MCCYC}$
5	MCKO Low to $\overline{EVT0}$ Data Valid <sup>4</sup>	$t_{EVT0V}$	-0.1	0.2	$t_{MCCYC}$
6	$\overline{EVTI}$ Pulse Width	$t_{EVTIPW}$	4.0	—	$t_{TCYC}$ <sup>3</sup>
7	$\overline{EVT0}$ Pulse Width	$t_{EVT0PW}$	1	—	$t_{MCCYC}$
8	TCK Cycle Time	$t_{TCYC}$	4 <sup>5</sup>	—	$t_{CYC}$ <sup>3</sup>
9	TCK Duty Cycle	$t_{TDC}$	40	60	%
10	TDI, TMS Data Setup Time	$t_{NTDIS}, t_{NTMSS}$	8	—	ns
11	TDI, TMS Data Hold Time	$T_{NTDIH}, t_{NTMSH}$	5	—	ns
12	TCK Low to TDO Data Valid	$t_{NTDOV}$	0	10	ns
13	$\overline{RDY}$ Valid to MCKO <sup>6</sup>	—	—	—	—

<sup>1</sup> All Nexus timing relative to MCKO is measured from 50% of MCKO and 50% of the respective signal. Nexus timing specified at  $V_{DD} = 1.08\text{ V to }1.32\text{ V}$ ,  $V_{DDE} = 3.0\text{ V to }3.6\text{ V}$ ,  $V_{DD33}$  and  $V_{DDSYN} = 3.0\text{ V to }3.6\text{ V}$ ,  $T_A = T_L$  to  $T_H$ , and  $C_L = 30\text{ pF}$  with  $DSC = 0b10$ .

<sup>2</sup> The Nexus AUX port runs up to 82 MHz (pending characterization). Set `NPC_PCR[MKCO_DIV]` to correct division depending on the system frequency, not to exceed maximum Nexus AUX port frequency.

<sup>3</sup> See Notes on  $t_{cyc}$  in Table 28 in Section 4.11.1 Clocking.

<sup>4</sup> MDO,  $\overline{MSEO}$ , and  $\overline{EVT0}$  data is held valid until next MCKO low cycle.

<sup>5</sup> Lower frequency is required to be fully compliant to standard.

<sup>6</sup> The  $\overline{RDY}$  pin timing is asynchronous to MCKO. The timing is guaranteed by design to function correctly.

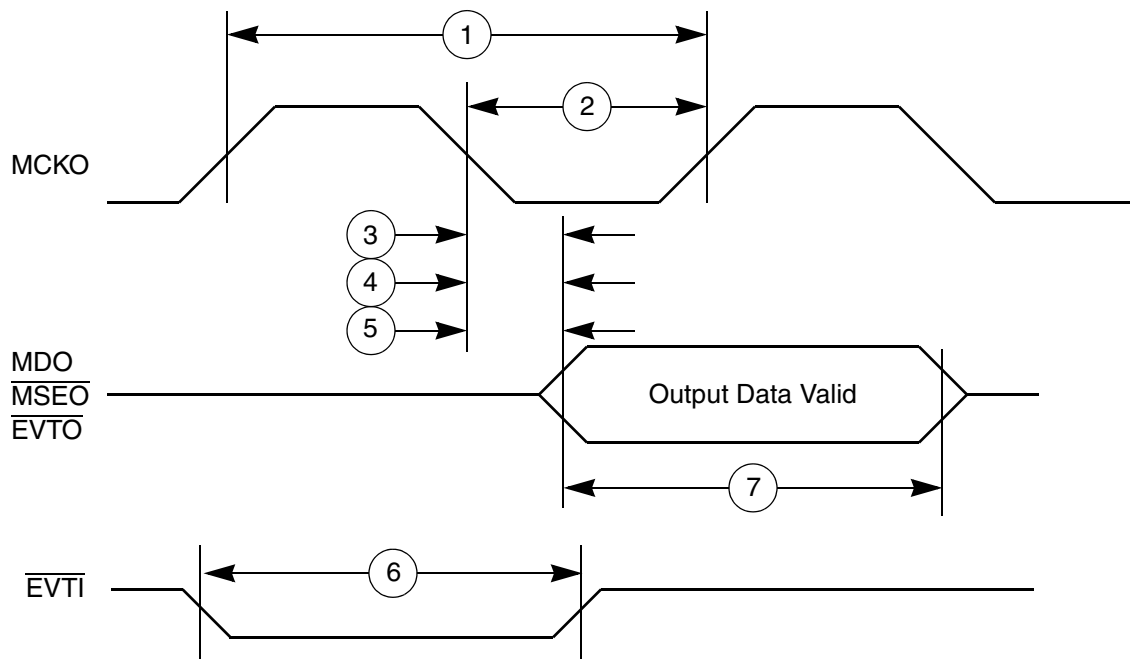


Figure 25. Nexus Timings

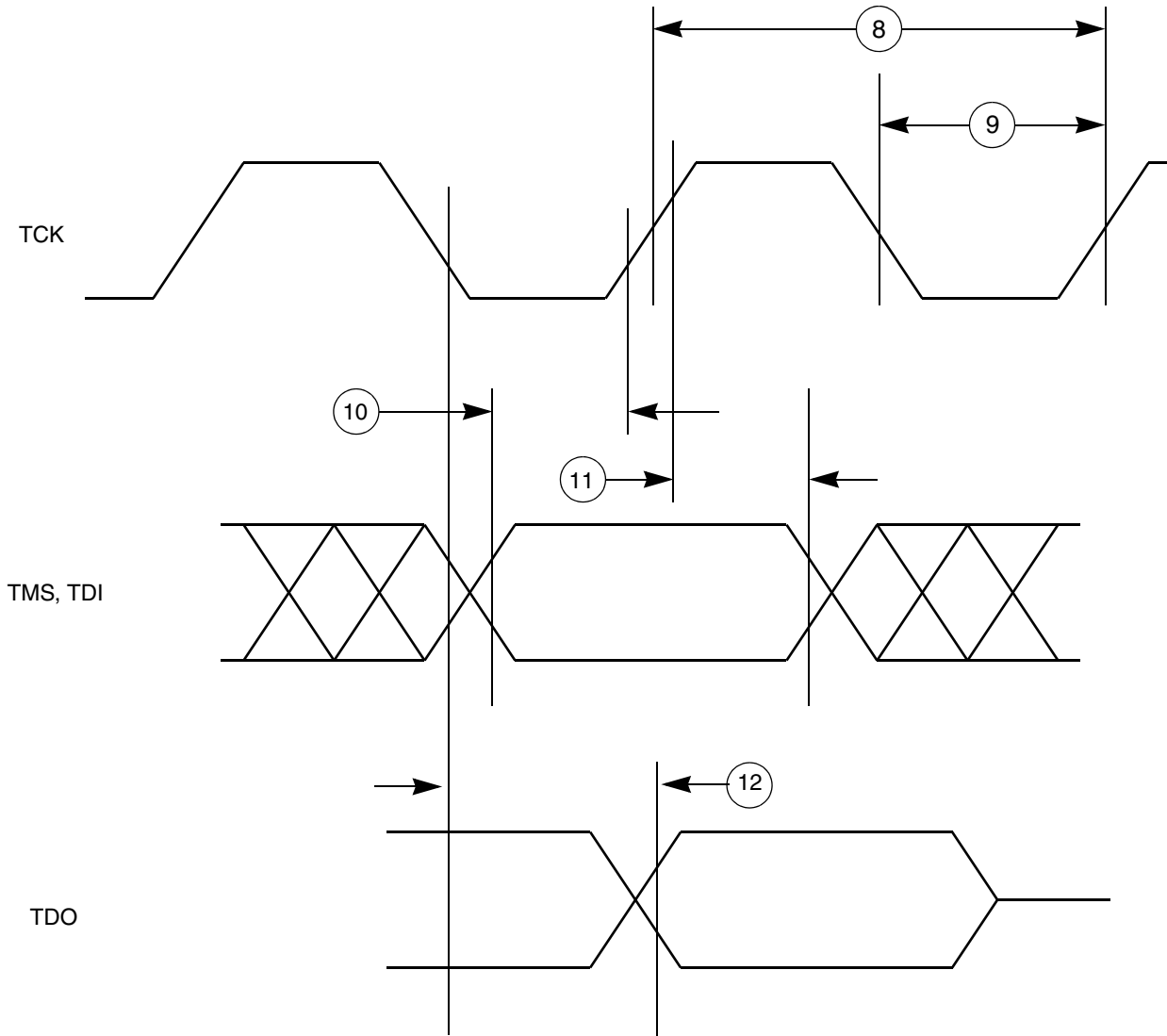


Figure 26. Nexus TCK, TDI, TMS, TDO Timing

## 4.12.5 External Bus Interface (EBI) Timing

Table 36. Bus Operation Timing <sup>1</sup>

Spec	Characteristic	Symbol	66 MHz (Ext. Bus Freq) <sup>2 3</sup>		Unit	Notes
			Min	Max		
1	D_CLKOUT Period	$t_C$	15.2	—	ns	Signals are measured at 50% $V_{DDE}$ .
2	D_CLKOUT Duty Cycle	$t_{CDC}$	45%	55%	$t_C$	
3	D_CLKOUT Rise Time	$t_{CRT}$	—	— <sup>4</sup>	ns	
4	D_CLKOUT Fall Time	$t_{CFT}$	—	— <sup>4</sup>	ns	
5	D_CLKOUT Posedge to Output Signal Invalid or High Z (Hold Time)  D_ADD[9:30] D_BDIP D_CS[0:3] D_DAT[0:15] D_OE $\overline{D\_RD\_WR}$ D_TA D_TS $\overline{D\_WE[0:3]/D\_BE[0:3]}$	$t_{COH}$	1.0/1.5	—	ns	Hold time selectable via SIU_ECCR[EBTS] bit: EBTS = 0: 1.0 ns EBTS = 1: 1.5 ns
6	D_CLKOUT Posedge to Output Signal Valid (Output Delay)  D_ADD[9:30] D_BDIP D_CS[0:3] D_DAT[0:15] D_OE $\overline{D\_RD\_WR}$ D_TA D_TS $\overline{D\_WE[0:3]/D\_BE[0:3]}$	$t_{COV}$	—	7.0/7.5	ns	Output valid time selectable via SIU_ECCR[EBTS] bit: EBTS = 0: 7.0 ns EBTS = 1: 7.5 ns

Table 36. Bus Operation Timing <sup>1</sup> (continued)

Spec	Characteristic	Symbol	66 MHz (Ext. Bus Freq) <sup>2 3</sup>		Unit	Notes
			Min	Max		
7	Input Signal Valid to D_CLKOUT Posedge (Setup Time)  D_ADD[9:30] D_DAT[0:15] D_RD_WR D_TA D_TS	t <sub>CIS</sub>	5.0/4.5	—	ns	Input setup time selectable via SIU_ECCR[EBTS] bit: EBTS = 0; 5.0ns EBTS = 1; 4.5ns
8	D_CLKOUT Posedge to Input Signal Invalid (Hold Time)  D_ADD[9:30] D_DAT[0:15] D_RD_WR D_TA D_TS	t <sub>CIH</sub>	1.0	—	ns	
9	D_ALE Pulse Width	t <sub>APW</sub>	6.5	—	ns	The timing is for Asynchronous external memory system.
10	D_ALE Negated to Address Invalid	t <sub>AAI</sub>	2.0/1.0 <sup>5</sup>	—	ns	The timing is for Asynchronous external memory system. ALE is measured at 50% of VDDE.

<sup>1</sup> EBI timing specified at V<sub>DD</sub> = 1.08 V to 1.32 V, V<sub>DDE</sub> = 3.0 V to 3.6 V, V<sub>DD33</sub> and V<sub>DDSYN</sub> = 3.0 V to 3.6 V, T<sub>A</sub> = T<sub>L</sub> to T<sub>H</sub>, and C<sub>L</sub> = 30 pF with DSC = 0b10.

<sup>2</sup> Speed is the nominal maximum frequency. Max speed is the maximum speed allowed including frequency modulation (FM). 270 MHz parts allow for 264 MHz system clock + 2% FM.

<sup>3</sup> Depending on the internal bus speed, set the SIU\_ECCR[EBDF] bits correctly not to exceed maximum external bus frequency. The maximum external bus frequency is 66 MHz.

<sup>4</sup> Refer to Fast pad timing in Table 31 and Table 32.

<sup>5</sup> ALE hold time spec is temperature dependant. 1.0 ns spec applies for temperature range -40 to 0 °C. 2.0 ns spec applies to temperatures > 0 °C. This spec has no dependency on SIU\_ECCR[EBTS] bit.

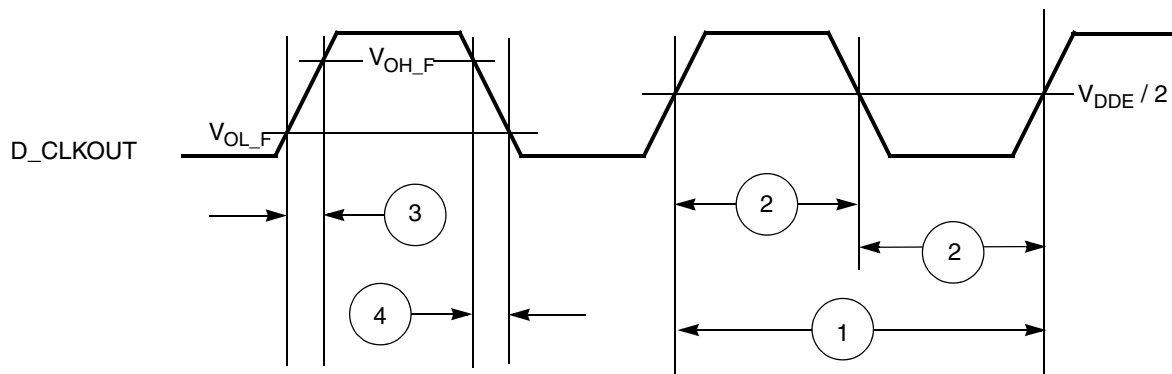


Figure 27. D\_CLKOUT Timing

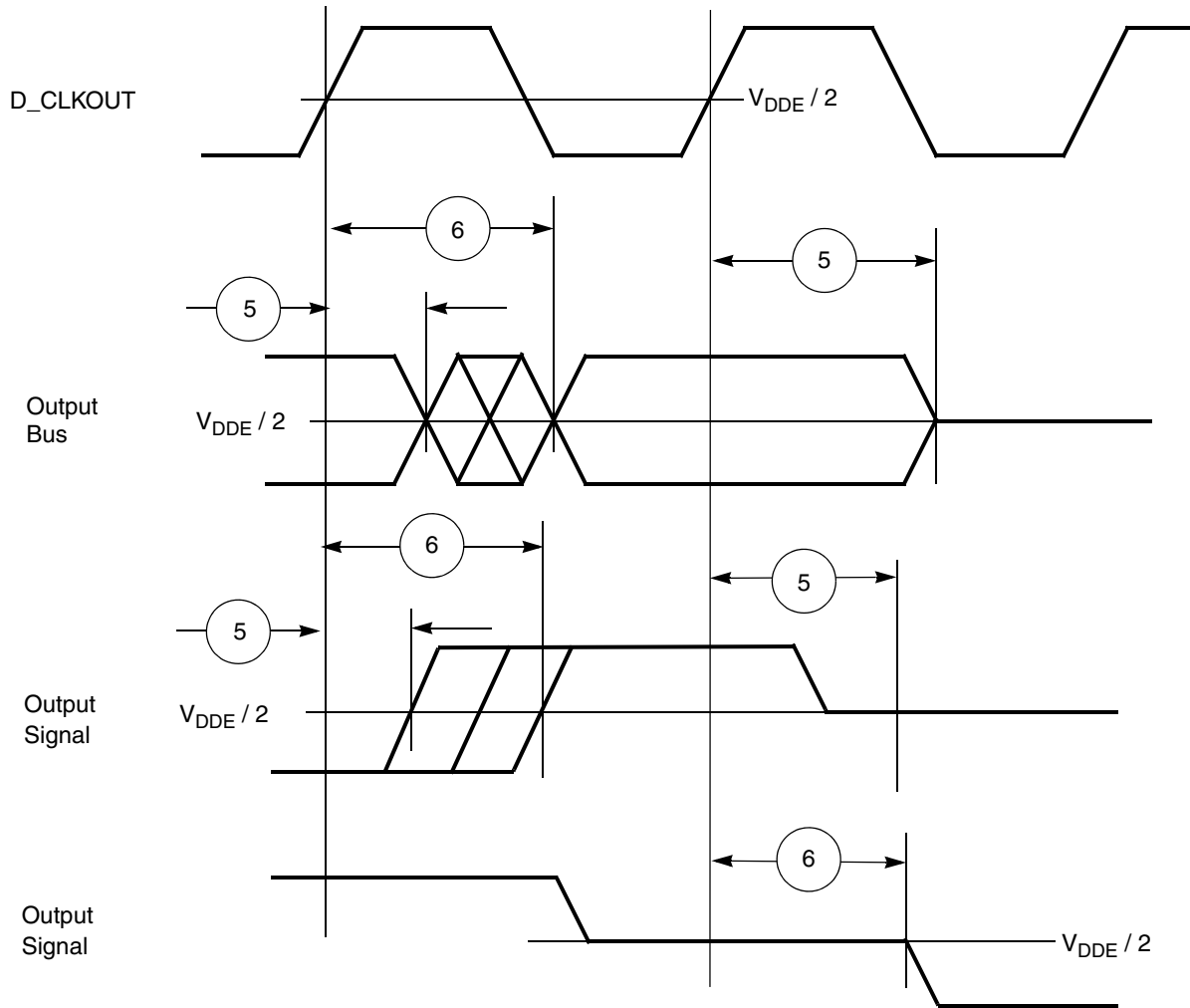


Figure 28. Synchronous Output Timing

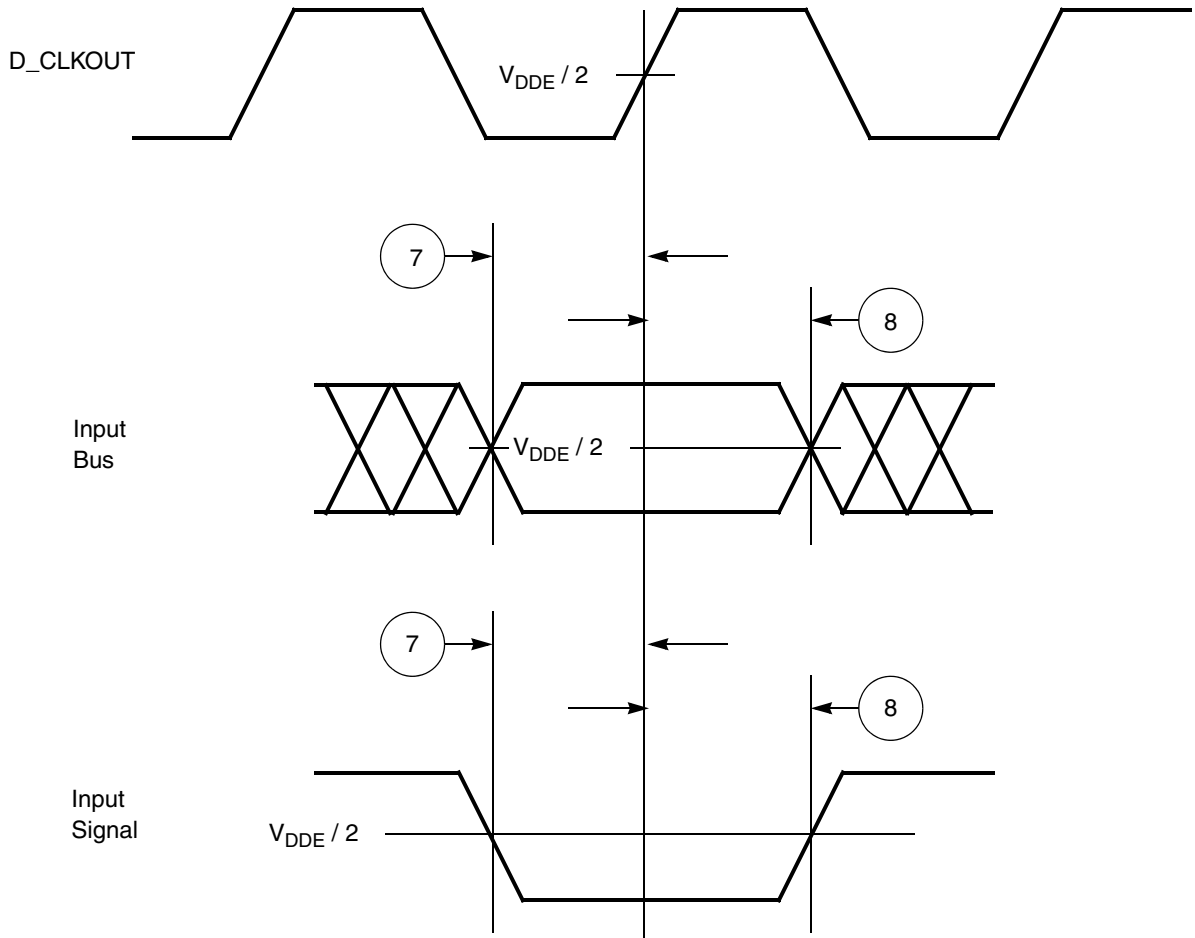


Figure 29. Synchronous Input Timing

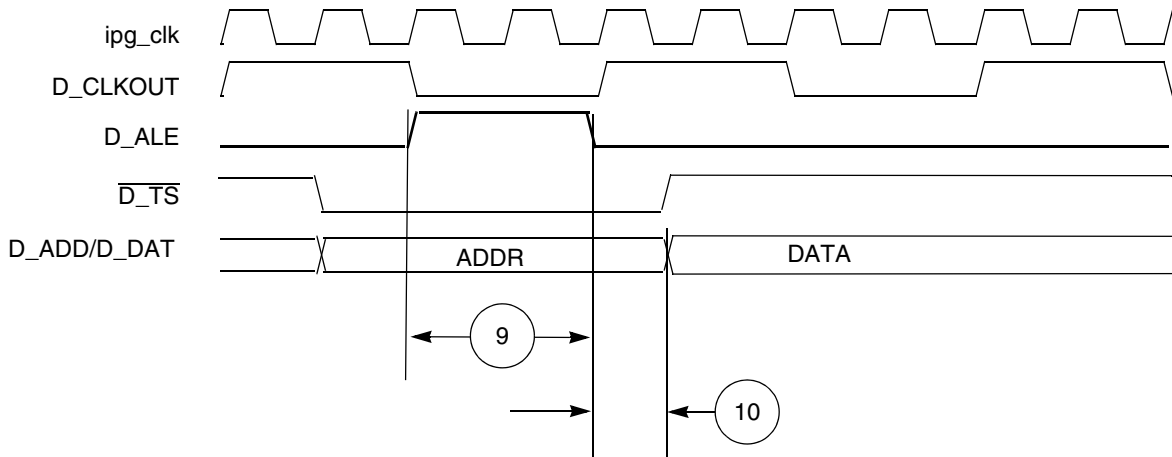


Figure 30. ALE Signal Timing



## 4.12.6 External Interrupt Timing (IRQ Pin)

Table 37. External Interrupt Timing<sup>1</sup>

Spec	Characteristic	Symbol	Min	Max	Unit
1	IRQ Pulse Width Low	$t_{IPWL}$	3	—	$t_{cyc}^2$
2	IRQ Pulse Width High	$t_{IPWH}$	3	—	$t_{cyc}^2$
3	IRQ Edge to Edge Time <sup>3</sup>	$t_{ICYC}$	6	—	$t_{cyc}^2$

<sup>1</sup> IRQ timing specified at  $V_{DD} = 1.08\text{ V to }1.32\text{ V}$ ,  $V_{DDEH} = 3.0\text{ V to }5.5\text{ V}$ ,  $V_{DD33}$  and  $V_{DDSYN} = 3.0\text{ V to }3.6\text{ V}$ ,  $T_A = T_L$  to  $T_H$ .

<sup>2</sup> See Notes on  $t_{cyc}$  on [Figure 16](#) and [Table 28](#) in [Section 4.11.1 Clocking](#).

<sup>3</sup> Applies when IRQ pins are configured for rising edge or falling edge events, but not both.

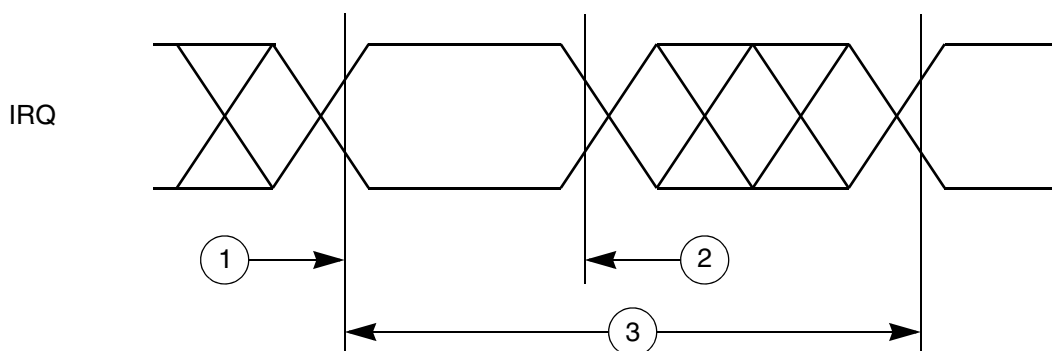


Figure 31. External Interrupt Timing

## 4.12.7 eTPU Timing

Table 38. eTPU Timing<sup>1</sup>

Spec	Characteristic	Symbol	Min	Max	Unit
1	eTPU Input Channel Pulse Width	$t_{ICPW}$	4	—	$t_{cyc}^2$
2	eTPU Output Channel Pulse Width	$t_{OCPW}$	1 <sup>3</sup>	—	$t_{cyc}^2$

<sup>1</sup> eTPU timing specified at  $V_{DD} = 1.08\text{ V to }1.32\text{ V}$ ,  $V_{DDEH} = 3.0\text{ V to }5.5\text{ V}$ ,  $V_{DD33}$  and  $V_{DDSYN} = 3.0\text{ V to }3.6\text{ V}$ ,  $T_A = T_L$  to  $T_H$ , and  $C_L = 200\text{ pF}$  with  $SRC = 0b00$ .

<sup>2</sup> See Notes on  $t_{cyc}$  on [Figure 16](#) and [Table 28](#) in [Section 4.11.1 Clocking](#).

<sup>3</sup> This specification does not include the rise and fall times. When calculating the minimum eTPU pulse width, include the rise and fall times defined in the slew rate control fields (SRC) of the pad configuration registers (PCR).

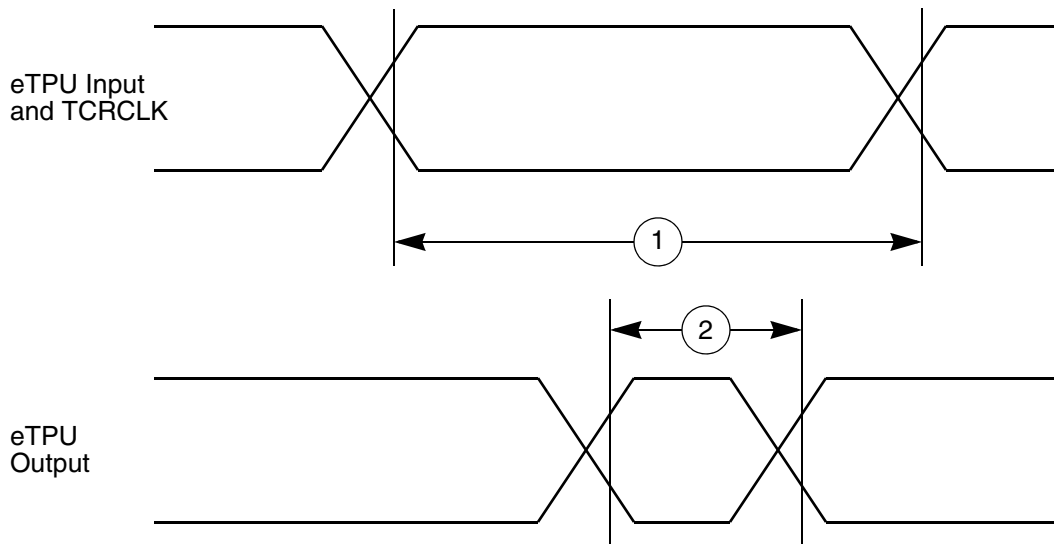


Figure 32. eTPU Timing

### 4.12.8 eMIOS Timing

Table 39. eMIOS Timing<sup>1</sup>

Spec	Characteristic	Symbol	Min	Max	Unit
1	eMIOS Input Pulse Width	$t_{MIPW}$	4	—	$t_{cyc}^2$
2	eMIOS Output Pulse Width	$t_{MOPW}$	1 <sup>3</sup>	—	$t_{cyc}^2$

<sup>1</sup> eMIOS timing specified at  $V_{DD} = 1.08\text{ V to }1.32\text{ V}$ ,  $V_{DDEH} = 3.0\text{ V to }5.5\text{ V}$ ,  $V_{DD33}$  and  $V_{DDSYN} = 3.0\text{ V to }3.6\text{ V}$ ,  $T_A = T_L$  to  $T_H$ , and  $C_L = 50\text{ pF}$  with  $SRC = 0b00$ .

<sup>2</sup> See Notes on  $t_{cyc}$  on [Figure 16](#) and [Table 28](#) in [Section 4.11.1 Clocking](#).

<sup>3</sup> This specification does not include the rise and fall times. When calculating the minimum eMIOS pulse width, include the rise and fall times defined in the slew rate control fields (SRC) of the pad configuration registers (PCR).

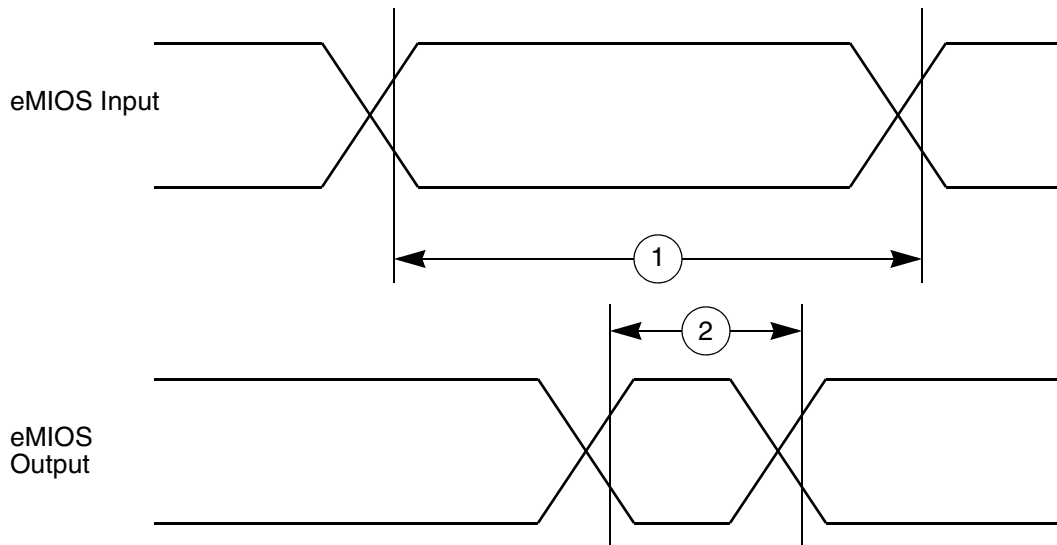


Figure 33. eMIOS Timing

## 4.12.9 DSPI Timing

Table 40. DSPI Timing<sup>1 2</sup>

Spec	Characteristic	Symbol	Peripheral Bus Freq: 132 MHz		Unit
			Min	Max	
1	DSPI Cycle Time <sup>3, 4</sup> Master (MTFE = 0) Slave (MTFE = 0) Master (MTFE = 1) Slave (MTFE = 1)	$t_{SCK}$	$t_{SYS} * 2$	$t_{SYS} * 32768 * 7$	ns
2	PCS to SCK Delay <sup>5</sup>	$t_{CSC}$	12	—	ns
3	After SCK Delay <sup>6</sup> Master mode Slave mode	$t_{ASC}$	$t_{SYS} * 2$ $t_{SYS} * 3 -$ constraints <sup>7</sup>	—	ns
4	SCK Duty Cycle	$t_{SDC}$	$0.33 * t_{SCK}$	$0.66 * t_{SCK}$	ns
5	Slave Access Time ( $\overline{SS}$ active to SOUT valid)	$t_A$	—	25	ns
6	Slave SOUT Disable Time ( $\overline{SS}$ inactive to SOUT High-Z or invalid)	$t_{DIS}$	—	25	ns
7	PCSx to $\overline{PCSS}$ time	$t_{PCSC}$	$t_{SYS} * 2$	$t_{SYS} * 7$	ns
8	$\overline{PCSS}$ to PCSx time	$t_{PASC}$	$t_{SYS} * 2$	$t_{SYS} * 7$	ns

Table 40. DSPI Timing<sup>1, 2</sup> (continued)

Spec	Characteristic	Symbol	Peripheral Bus Freq: 132 MHz		Unit
			Min	Max	
9	Data Setup Time for Inputs	$t_{SUI}$			
	Master (MTFE = 0)		20	—	ns
	Slave		4	—	ns
	Master (MTFE = 1, CPHA = 0) <sup>8</sup>		6	—	ns
	Master (MTFE = 1, CPHA = 1)		20	—	ns
10	Data Hold Time for Inputs	$t_{HI}$			
	Master (MTFE = 0)		-3	—	ns
	Slave		7	—	ns
	Master (MTFE = 1, CPHA = 0) <sup>8</sup>		12	—	ns
	Master (MTFE = 1, CPHA = 1)		-3	—	ns
11	Data Valid (after SCK edge)	$t_{SUO}$			
	Master (MTFE = 0)		—	5	ns
	Slave		—	25	ns
	Master (MTFE = 1, CPHA = 0)		—	13	ns
	Master (MTFE = 1, CPHA = 1)		—	5	ns
12	Data Hold Time for Outputs	$t_{HO}$			
	Master (MTFE = 0)		-5	—	ns
	Slave		2.5	—	ns
	Master (MTFE = 1, CPHA = 0)		3	—	ns
	Master (MTFE = 1, CPHA = 1)		-5	—	ns

<sup>1</sup> DSPI timing specified at  $V_{DD} = 1.08\text{ V}$  to  $1.32\text{ V}$ ,  $V_{DDEH} = 3.0\text{ V}$  to  $5.5\text{ V}$ ,  $V_{DD33}$  and  $V_{DDSYN} = 3.0\text{ V}$  to  $3.6\text{ V}$ , and  $T_A = T_L$  to  $T_H$

<sup>2</sup> Speed is the nominal maximum frequency of platform clock ( $f_{platt}$ ). Max speed is the maximum speed allowed including frequency modulation (FM). 270 MHz parts allow for 264 Mhz for system core clock ( $f_{sys}$ ) + 2% FM.

<sup>3</sup> The minimum DSPI Cycle Time restricts the baud rate selection for given system clock rate. These numbers are calculated based on two devices communicating over a DSPI link.

<sup>4</sup> The actual minimum SCK cycle time is limited by pad performance.

<sup>5</sup> The maximum value is programmable in DSPI\_CTARn[PSSCK] and DSPI\_CTARn[CSSCK].

<sup>6</sup> The maximum value is programmable in DSPI\_CTARn[PASC] and DSPI\_CTARn[ASC].

<sup>7</sup> For example, external master should start SCK clock not earlier than 3 system clock periods after assertion SS

<sup>8</sup> This number is calculated assuming the SMPL\_PT bitfield in DSPI\_MCR is set to 0b10.

The DSPI in this device can be configured to serialize data to an external device that implements the Microsecond Bus protocol. DSPI pins support 5 V logic levels or Low Voltage Differential Signalling (LVDS) for data and clock signals to improve high speed operation.

Table 41. DSPI LVDS Timing<sup>1, 2</sup>

Characteristic	Symbol	Min	Max	Unit
LVDS Clock to Data/Chip Select Outputs	$t_{LVDSDATA}$	$-0.25 \times t_{SCYC}$	$+0.25 \times t_{SCYC}$	ns

<sup>1</sup> These are typical values that are estimated from simulation.

<sup>2</sup> See DSPI LVDS Pad related data in [Table 17](#).

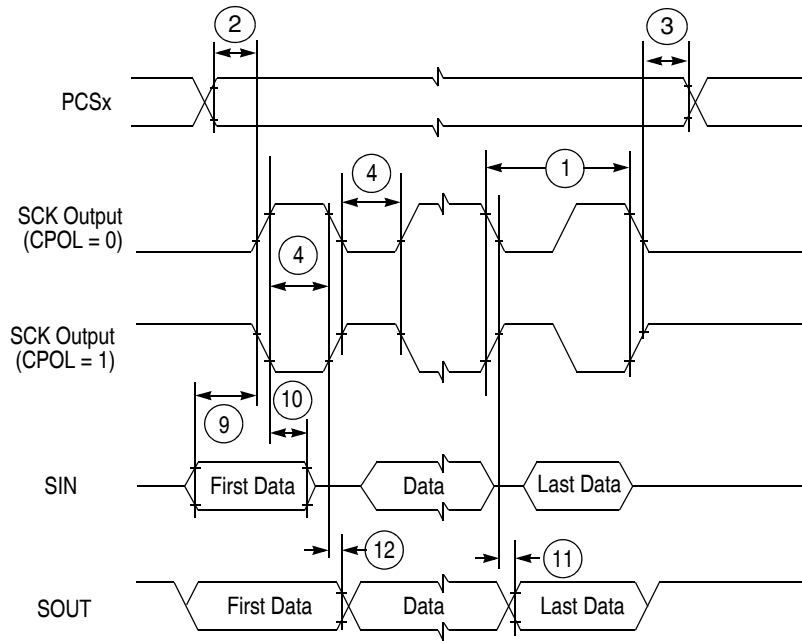


Figure 34. DSPI Classic SPI Timing — Master, CPHA = 0

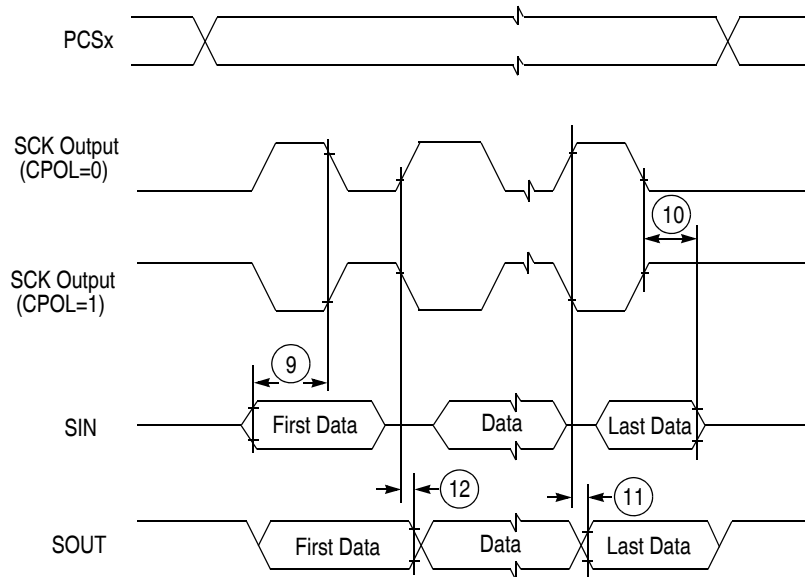


Figure 35. DSPI Classic SPI Timing — Master, CPHA = 1

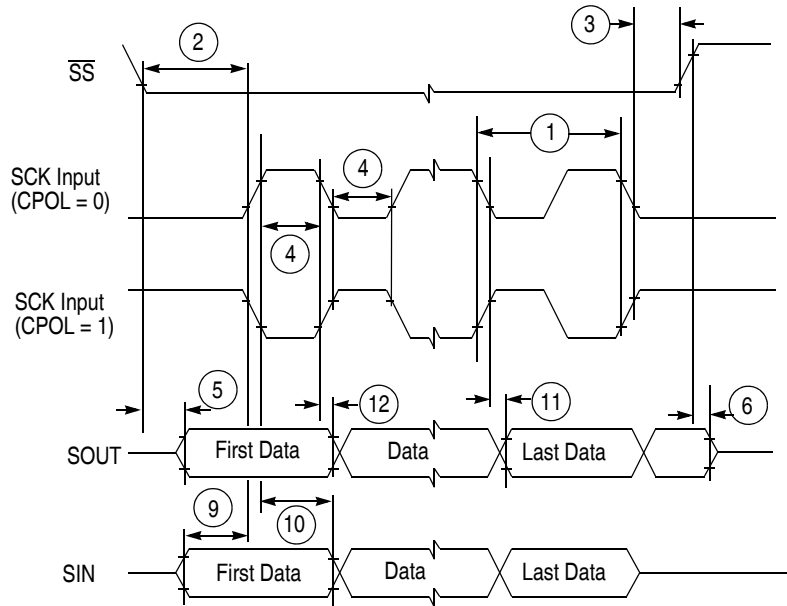


Figure 36. DSPI Classic SPI Timing — Slave, CPHA = 0

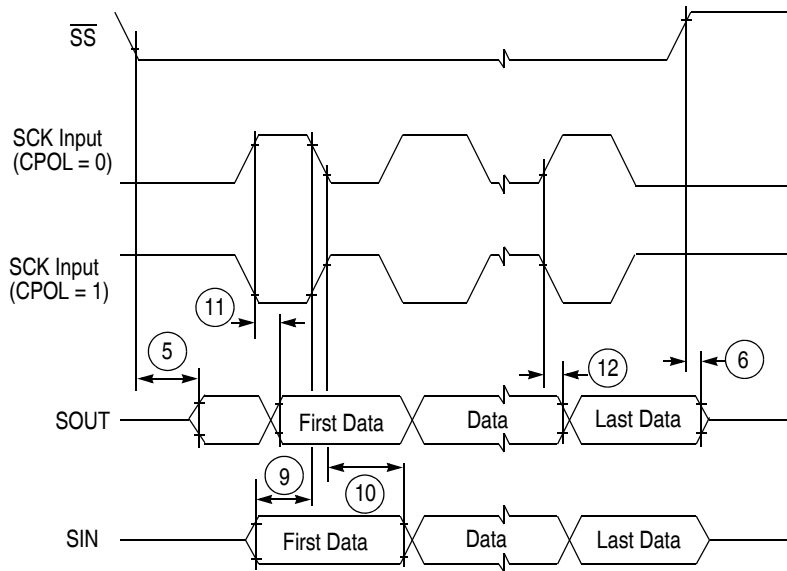


Figure 37. DSPI Classic SPI Timing — Slave, CPHA = 1

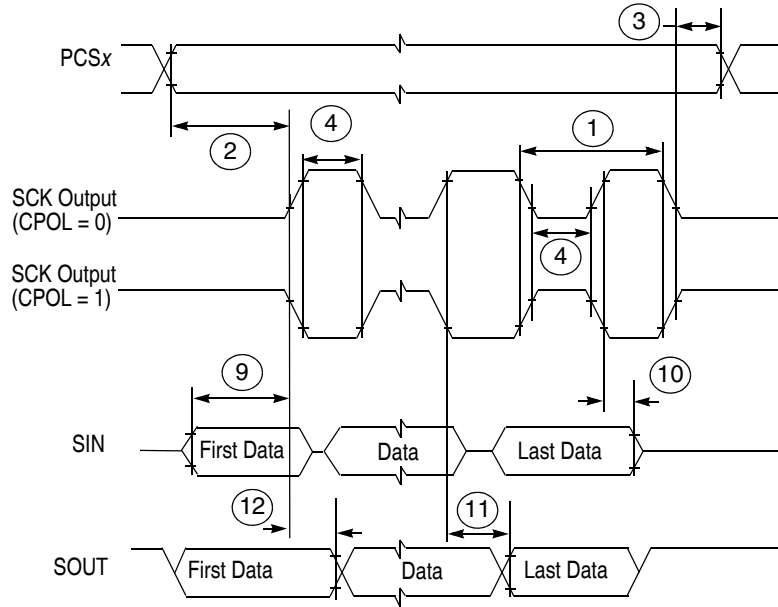


Figure 38. DSPI Modified Transfer Format Timing — Master, CPHA = 0

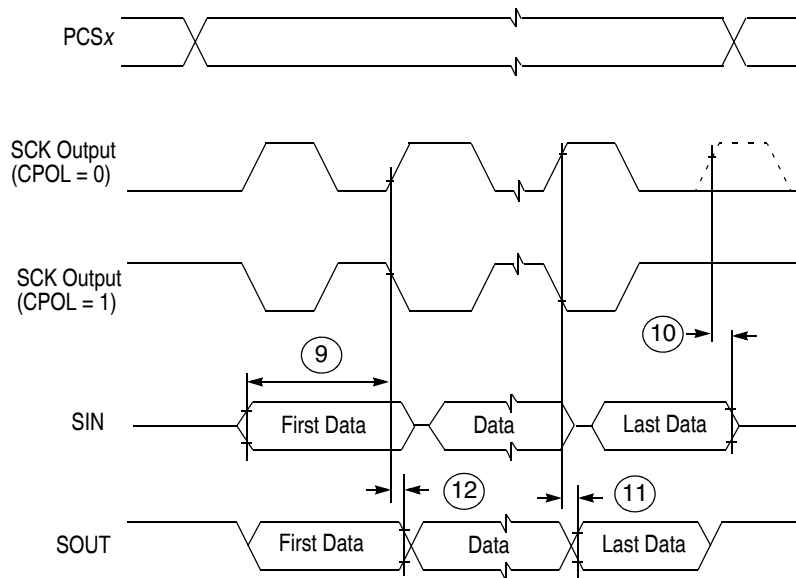


Figure 39. DSPI Modified Transfer Format Timing — Master, CPHA = 1

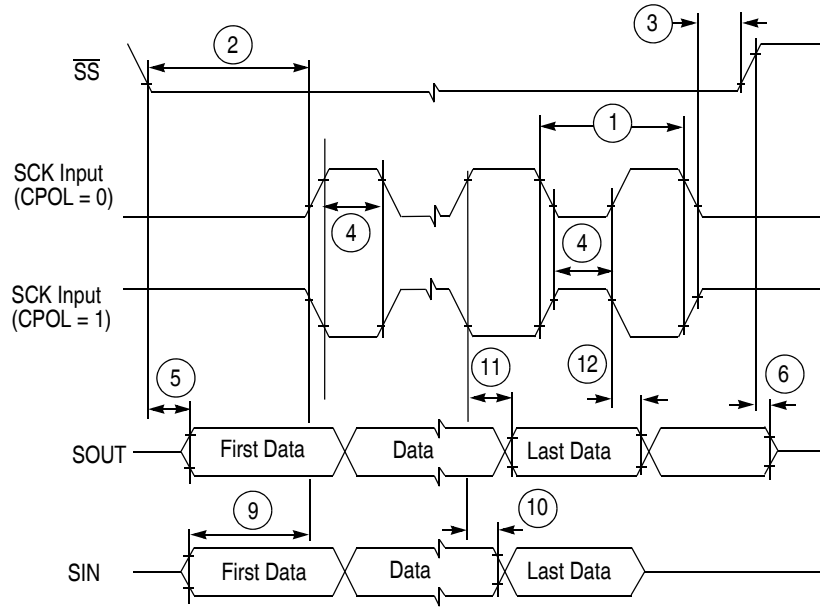


Figure 40. DSPI Modified Transfer Format Timing — Slave, CPHA = 0

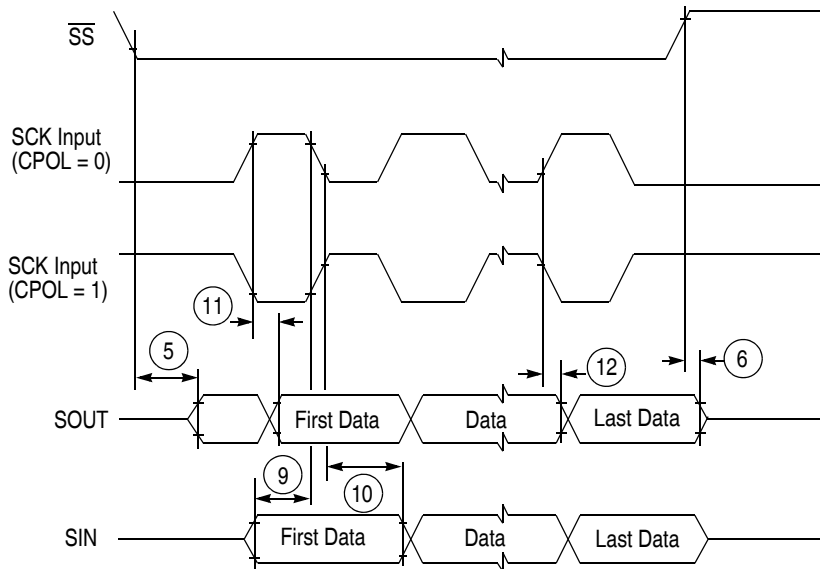


Figure 41. DSPI Modified Transfer Format Timing — Slave, CPHA = 1

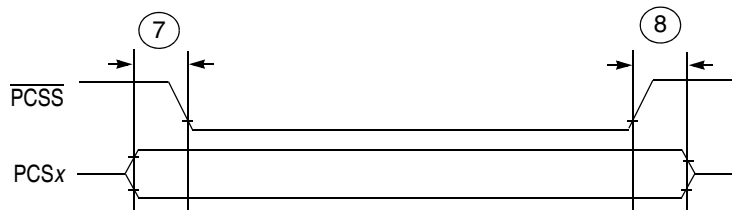


Figure 42. DSPI PCS Strobe (PCSS) Timing



## 5 Package Information

The latest package outline drawings are available on the product summary pages on our website: <http://www.nxp.com/powerarchitecture>. The following table lists the package case number. Use these numbers in the webpage's keyword search engine to find the latest package outline drawings.

**Table 42. Package Information**

Package Type	Case Outline Number
324 TEPBGA	98ASS23840W
416 TEPBGA	98ARE10523D
516 TEPBGA	98ARS10503D

## 5.1 324-Pin Package

The package drawings of the 324-pin TEPBGA package are shown in Figure 43 and Figure 44.

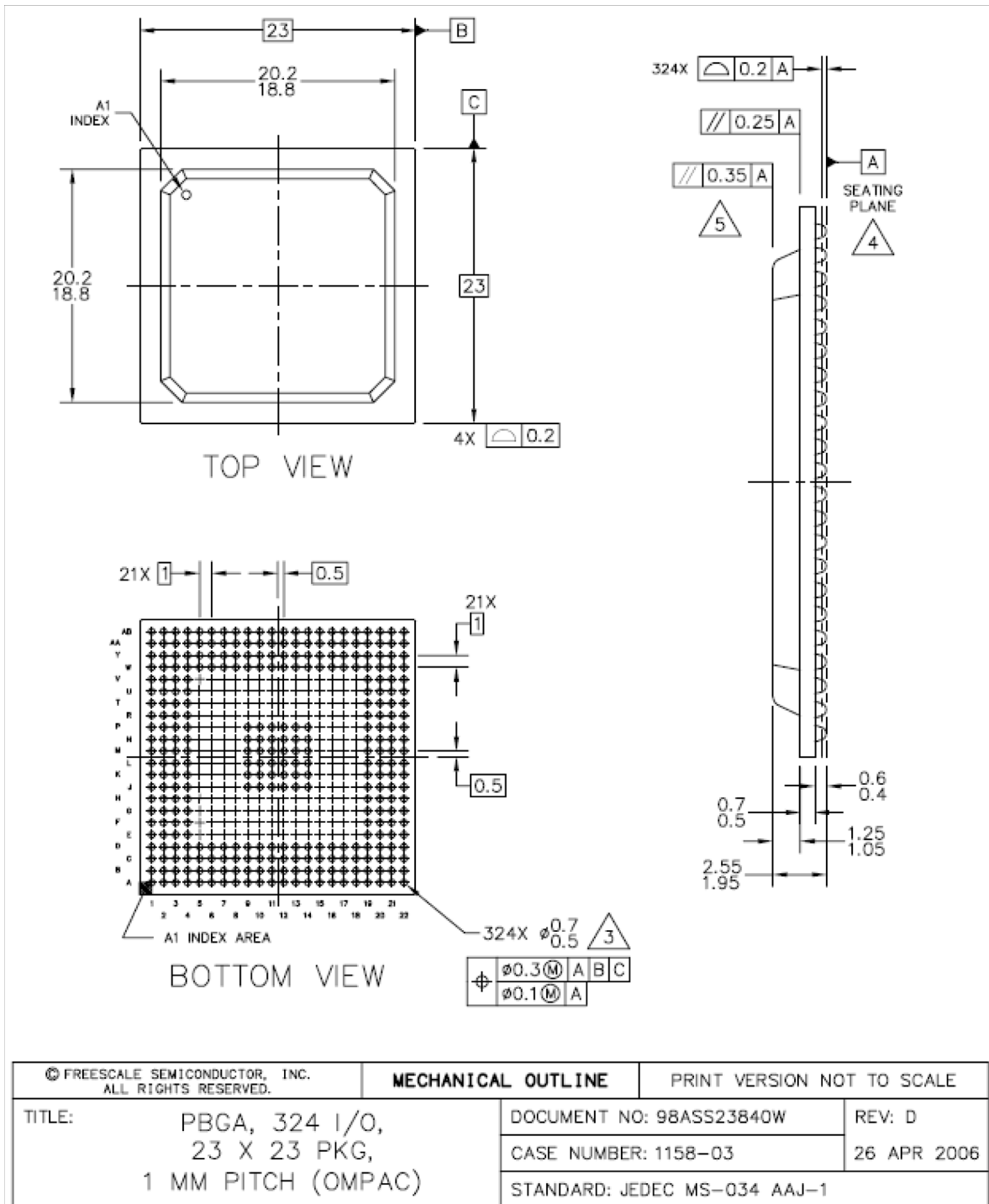


Figure 43. 324 TEPBGA Package (1 of 2)

NOTES:

1. ALL DIMENSIONS IN MILLIMETERS.
2. DIMENSIONING AND TOLERANCING PER ASME Y14.5M-1994.
3. MAXIMUM SOLDER BALL DIAMETER MEASURED PARALLEL TO DATUM A.
4. DATUM A, THE SEATING PLANE, IS DETERMINED BY THE SPHERICAL CROWNS OF THE SOLDER BALLS.
5. PARALLELISM MEASUREMENT SHALL EXCLUDE ANY EFFECT OF MARK ON TOP SURFACE OF PACKAGE.

© FREESCALE SEMICONDUCTOR, INC. ALL RIGHTS RESERVED.	<b>MECHANICAL OUTLINE</b>	PRINT VERSION NOT TO SCALE	
TITLE: PBGA, 324 I/O, 23 X 23 PKG, 1 MM PITCH (OMPAC)	DOCUMENT NO: 98ASS23840W	REV: D	
	CASE NUMBER: 1158-03	26 APR 2006	
	STANDARD: JEDEC MS-034 AAJ-1		

Figure 44. 324 TEPBGA Package (2 of 2)

## 5.2 416-Pin Package

The package drawings of the 416-pin TEPBGA package are shown in Figure 45 and Figure 46.

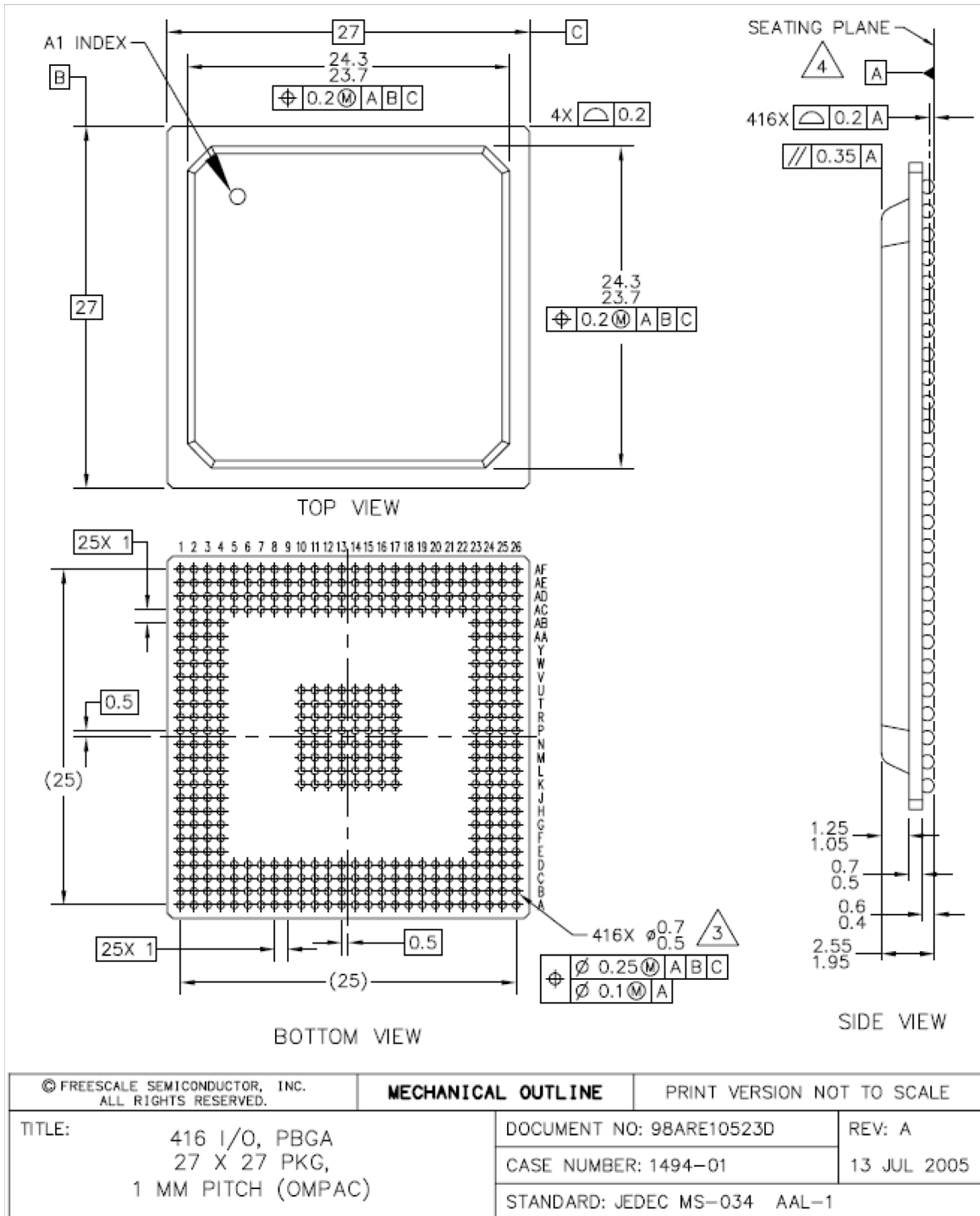


Figure 45. 416 TEPBGA Package (1 of 2)

## NOTES:

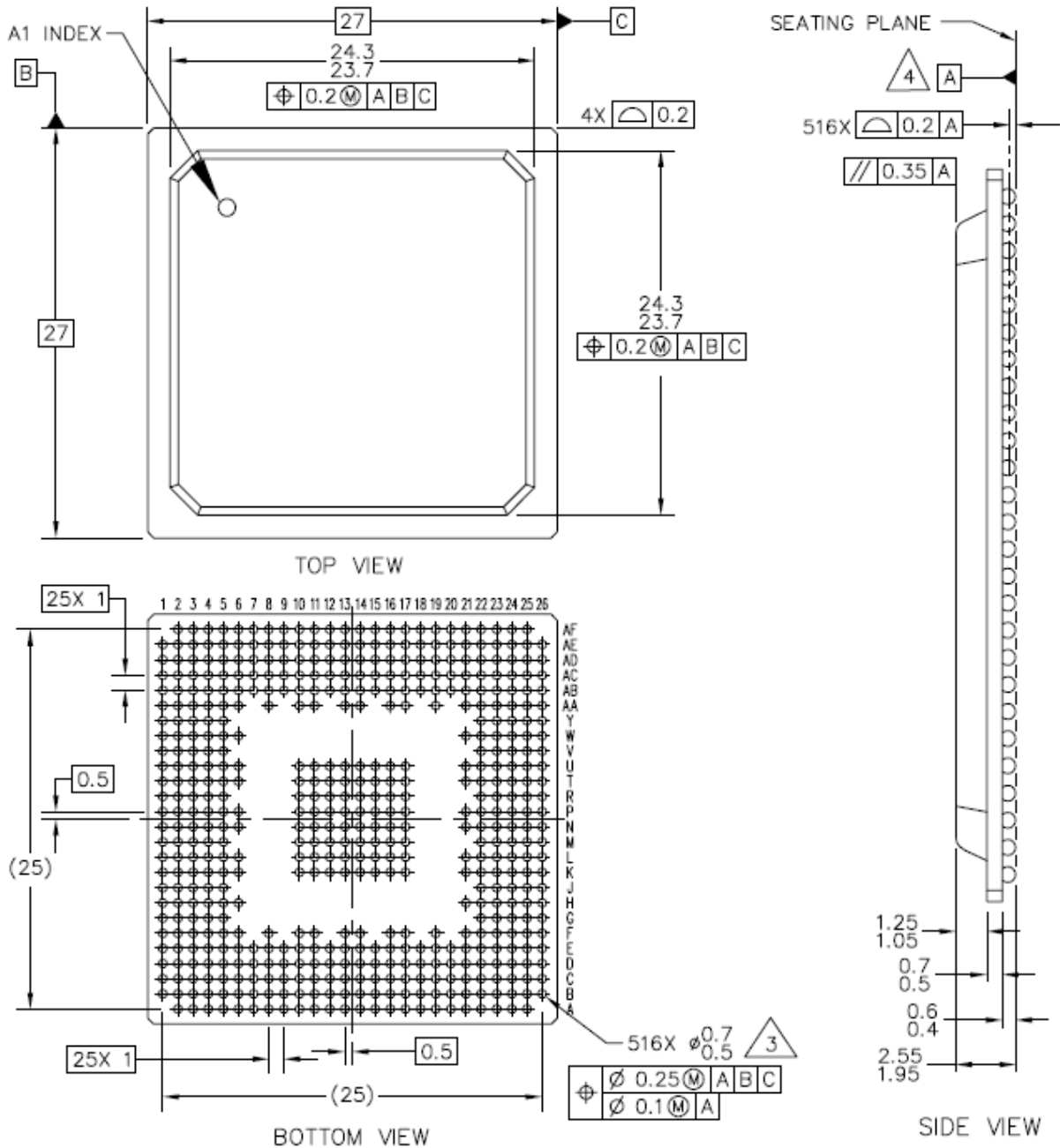
1. ALL DIMENSIONS IN MILLIMETERS.
2. DIMENSIONING AND TOLERANCING PER ASME Y14.5M-1994.
3. MAXIMUM SOLDER BALL DIAMETER MEASURED PARALLEL TO DATUM A.
4. DATUM A, THE SEATING PLANE, IS DETERMINED BY THE SPHERICAL CROWNS OF THE SOLDER BALLS.

© FREESCALE SEMICONDUCTOR, INC. ALL RIGHTS RESERVED.	<b>MECHANICAL OUTLINE</b>	PRINT VERSION NOT TO SCALE	
TITLE: 416 I/O, PBGA 27 X 27 PKG, 1 MM PITCH (OMPAC)	DOCUMENT NO: 98ARE10523D	REV: A	
	CASE NUMBER: 1494-01	13 JUL 2005	
	STANDARD: JEDEC MS-034 AAL-1		

Figure 46. 416 TEPBGA Package (2 of 2)

### 5.3 516-Pin Package

The package drawings of the 516-pin TEPBGA package are shown in Figure 47 and Figure 48.



© FREESCALE SEMICONDUCTOR, INC. ALL RIGHTS RESERVED.		<b>MECHANICAL OUTLINE</b>		PRINT VERSION NOT TO SCALE	
TITLE: 516 I/O, PBGA 27 X 27 PKG, 1 MM PITCH (OMPAC)		DOCUMENT NO: 98ARS10503D		REV: B	
		CASE NUMBER: 1164A-01		09 AUG 2005	
		STANDARD: JEDEC MS-034 AAL-1			

Figure 47. 516 TEPBGA Package (1 of 2)

NOTES:

1. ALL DIMENSIONS IN MILLIMETERS.
2. DIMENSIONING AND TOLERANCING PER ASME Y14.5M-1994.
3. MAXIMUM SOLDER BALL DIAMETER MEASURED PARALLEL TO DATUM A.
4. DATUM A, THE SEATING PLANE, IS DETERMINED BY THE SPHERICAL CROWNS OF THE SOLDER BALLS.
5. PACKAGE CODES: 5193 & 5198.

© FREESCALE SEMICONDUCTOR, INC. ALL RIGHTS RESERVED.		<b>MECHANICAL OUTLINE</b>		PRINT VERSION NOT TO SCALE	
TITLE:	516 I/O, PBGA 27 X 27 PKG, 1 MM PITCH (OMPAC)	DOCUMENT NO: 98ARS10503D		REV: B	
		CASE NUMBER: 1164A-01		09 AUG 2005	
		STANDARD: JEDEC MS-034 AAL-1			

Figure 48. 516 TEPBGA Package (2 of 2)

## 6 Product Documentation

This data sheet is labeled as a particular type: Product Preview, Advance Information, or Technical Data. Definitions of these types are available at: <http://www.nxp.com>.

The following documents are required for a complete description of the device and are necessary to design properly with the parts:

- *MPC5674F Microprocessor Reference Manual* (document number MPC5674FRM).



## Appendix A Signal Properties and Muxing

The following table shows the signals properties for each pin on the MPC5674F. For each port pin that has an associated SIU\_PCR $n$  register to control its pin properties, the supported functions column lists the functions associated with the programming of the SIU\_PCR $n$ [PA] bit in the order: Primary function (P), Function 2 (F2), Function 3 (F3), and GPIO (G). See [Figure 49](#).

	GPIO/ PCR <sup>1</sup>	Signal Name <sup>2</sup>	P/ F/ G	Function <sup>3</sup>	Function Summary	I/O	Pad Type
<b>Primary</b> Functions are listed <b>First</b> →  <b>Secondary</b> Functions are alternate functions →  GPIO Functions are listed <b>Last</b> →	113	TCRCLKA_IRQ7_GPIO113	P	TCRCLKA	eTPU A TCR clock	I	5V M
			A1	IRQ7	External interrupt request	I	
			A2	—	—	—	
			G	GPIO113	GPIO	I/O	
Function not implemented on this device							

Figure 49. Supported Functions Example

Table 43. Signal Properties and Muxing Summary

GPIO/PCR <sup>1</sup>	Signal Name <sup>2</sup>	P/A/G <sup>3</sup>	Function <sup>4</sup>	Function Summary	Direction	Pad Type <sup>5</sup>	Voltage <sup>6</sup>	State during RESET <sup>7</sup>	State after RESET <sup>8</sup>	Package Location		
										324	416	516
<b>eTPU_A</b>												
113	TCRCLKA_IRQ7_ GPIO113	P	TCRCLKA	eTPU A TCR clock	I	MH	V <sub>DDEH1</sub>	—/Up	—/Up	K1	L1	K4
		A1	IRQ7	External interrupt request	I							
		A2	—	—	—							
		G	GPIO113	GPIO	I/O							
114	ETPUA0_ETPUA12_ GPIO114	P	ETPUA0	eTPU A channel	I/O	MH	V <sub>DDEH1</sub>	—/WKPCFG	—/WKPCFG	K2	L2	L6
		A1	ETPUA12	eTPU A channel (output only)	O							
		A2	—	—	—							
		G	GPIO114	GPIO	I/O							
115	ETPUA1_ETPUA13_ GPIO115	P	ETPUA1	eTPU A channel	I/O	MH	V <sub>DDEH1</sub>	—/WKPCFG	—/WKPCFG	J1	L3	J1
		A1	ETPUA13	eTPU A channel (output only)	O							
		A2	—	—	—							
		G	GPIO115	GPIO	I/O							
116	ETPUA2_ETPUA14_ GPIO116	P	ETPUA2	eTPU A channel	I/O	MH	V <sub>DDEH1</sub>	—/WKPCFG	—/WKPCFG	J2	L4	J2
		A1	ETPUA14	eTPU A channel (output only)	O							
		A2	—	—	—							
		G	GPIO116	GPIO	I/O							
117	ETPUA3_ETPUA15_ GPIO117	P	ETPUA3	eTPU A channel	I/O	MH	V <sub>DDEH1</sub>	—/WKPCFG	—/WKPCFG	J3	K1	H4
		A1	ETPUA15	eTPU A channel (output only)	O							
		A2	—	—	—							
		G	GPIO117	GPIO	I/O							
118	ETPUA4_ETPUA16_ GPIO118	P	ETPUA4	eTPU A channel	I/O	MH	V <sub>DDEH1</sub>	—/WKPCFG	—/WKPCFG	J4	K2	J4
		A1	ETPUA16	eTPU A channel (output only)	O							
		A2	—	—	—							
		G	GPIO118	GPIO	I/O							

**Table 43. Signal Properties and Muxing Summary (continued)**

GPIO/PCR <sup>1</sup>	Signal Name <sup>2</sup>	P/A/G <sup>3</sup>	Function <sup>4</sup>	Function Summary	Direction	Pad Type <sup>5</sup>	Voltage <sup>6</sup>	State during RESET <sup>7</sup>	State after RESET <sup>8</sup>	Package Location		
										324	416	516
119	ETPUA5_ETPUA17_ GPIO119	P	ETPUA5	eTPU A channel	I/O	MH	V <sub>DDEH1</sub>	—/WKPCFG	—/WKPCFG	H1	K3	H1
		A1	ETPUA17	eTPU A channel (output only)	O							
		A2	—	—	—							
		G	GPIO119	GPIO	I/O							
120	ETPUA6_ETPUA18_ GPIO120	P	ETPUA6	eTPU A channel	I/O	MH	V <sub>DDEH1</sub>	—/WKPCFG	—/WKPCFG	H2	K4	K5
		A1	ETPUA18	eTPU A channel (output only)	O							
		A2	—	—	—							
		G	GPIO120	GPIO	I/O							
121	ETPUA7_ETPUA19_ GPIO121	P	ETPUA7	eTPU A channel	I/O	MH	V <sub>DDEH1</sub>	—/WKPCFG	—/WKPCFG	—	J1	H2
		A1	ETPUA19	eTPU A channel (output only)	O							
		A2	—	—	—							
		G	GPIO121	GPIO	I/O							
122	ETPUA8_ETPUA20_ GPIO122	P	ETPUA8	eTPU A channel	I/O	MH	V <sub>DDEH1</sub>	—/WKPCFG	—/WKPCFG	—	J2	H3
		A1	ETPUA20	eTPU A channel (output only)	O							
		A2	—	—	—							
		G	GPIO122	GPIO	I/O							
123	ETPUA9_ETPUA21_ GPIO123	P	ETPUA9	eTPU A channel	I/O	MH	V <sub>DDEH1</sub>	—/WKPCFG	—/WKPCFG	H3	J3	J3
		A1	ETPUA21	eTPU A channel (output only)	O							
		A2	—	—	—							
		G	GPIO123	GPIO	I/O							
124	ETPUA10_ETPUA22_ GPIO124	P	ETPUA10	eTPU A channel	I/O	MH	V <sub>DDEH1</sub>	—/WKPCFG	—/WKPCFG	G1	J4	K6
		A1	ETPUA22	eTPU A channel (output only)	O							
		A2	—	—	—							
		G	GPIO124	GPIO	I/O							

Table 43. Signal Properties and Muxing Summary (continued)

GPIO/PCR <sup>1</sup>	Signal Name <sup>2</sup>	P/A/G <sup>3</sup>	Function <sup>4</sup>	Function Summary	Direction	Pad Type <sup>5</sup>	Voltage <sup>6</sup>	State during RESET <sup>7</sup>	State after RESET <sup>8</sup>	Package Location		
										324	416	516
125	ETPUA11_ETPUA23_ GPIO125	P	ETPUA11	eTPU A channel	I/O	MH	V <sub>DDEH1</sub>	—/WKPCFG	—/WKPCFG	G2	H1	G1
		A1	ETPUA23	eTPU A channel (output only)	O							
		A2	—	—	—							
		G	GPIO125	GPIO	I/O							
126	ETPUA12_PCSB1_ GPIO126	P	ETPUA12	eTPU A channel	I/O	MH	V <sub>DDEH1</sub>	—/WKPCFG	—/WKPCFG	G3	H2	J5
		A1	PCSB1	DSPI B peripheral chip select	O							
		A2	—	—	—							
		G	GPIO126	GPIO	I/O							
127	ETPUA13_PCSB3_ GPIO127	P	ETPUA13	eTPU A channel	I/O	MH	V <sub>DDEH1</sub>	—/WKPCFG	—/WKPCFG	F1	H4	G2
		A1	PCSB3	DSPI B peripheral chip select	O							
		A2	—	—	—							
		G	GPIO127	GPIO	I/O							
128	ETPUA14_PCSB4_ GPIO128	P	ETPUA14	eTPU A channel	I/O	MH	V <sub>DDEH1</sub>	—/WKPCFG	—/WKPCFG	F2	H3	H5
		A1	PCSB4	DSPI B peripheral chip select	O							
		A2	—	—	—							
		G	GPIO128	GPIO	I/O							
129	ETPUA15_PCSB5_ GPIO129	P	ETPUA15	eTPU A channel	I/O	MH	V <sub>DDEH1</sub>	—/WKPCFG	—/WKPCFG	F3	G1	G3
		A1	PCSB5	DSPI B peripheral chip select	O							
		A2	—	—	—							
		G	GPIO129	GPIO	I/O							
130	ETPUA16_PCSD1_ GPIO130	P	ETPUA16	eTPU A channel	I/O	MH	V <sub>DDEH1</sub>	—/WKPCFG	—/WKPCFG	H4	G2	H6
		A1	PCSD1	DSPI D peripheral chip select	O							
		A2	—	—	—							
		G	GPIO130	GPIO	I/O							

Table 43. Signal Properties and Muxing Summary (continued)

GPIO/PCR <sup>1</sup>	Signal Name <sup>2</sup>	P/A/G <sup>3</sup>	Function <sup>4</sup>	Function Summary	Direction	Pad Type <sup>5</sup>	Voltage <sup>6</sup>	State during RESET <sup>7</sup>	State after RESET <sup>8</sup>	Package Location		
										324	416	516
131	ETPUA17_PCSD2_ GPIO131	P	ETPUA17	eTPU A channel	I/O	MH	V <sub>DDEH1</sub>	—/WKPCFG	—/WKPCFG	G4	G3	G4
		A1	PCSD2	DSPI D peripheral chip select	O							
		A2	—	—	—							
		G	GPIO131	GPIO	I/O							
132	ETPUA18_PCSD3_ GPIO132	P	ETPUA18	eTPU A channel	I/O	MH	V <sub>DDEH1</sub>	—/WKPCFG	—/WKPCFG	—	G4	G5
		A1	PCSD3	DSPI D peripheral chip select	O							
		A2	—	—	—							
		G	GPIO132	GPIO	I/O							
133	ETPUA19_PCSD4_ GPIO133	P	ETPUA19	eTPU A channel	I/O	MH	V <sub>DDEH1</sub>	—/WKPCFG	—/WKPCFG	—	F1	F1
		A1	PCSD4	DSPI D peripheral chip select	O							
		A2	—	—	—							
		G	GPIO133	GPIO	I/O							
134	ETPUA20_IRQ8_ GPIO134	P	ETPUA20	eTPU A channel	I/O	MH	V <sub>DDEH1</sub>	—/WKPCFG	—/WKPCFG	E1	F2	F2
		A1	IRQ8	External interrupt request	I							
		A2	—	—	—							
		G	GPIO134	GPIO	I/O							
135	ETPUA21_IRQ9_ GPIO135	P	ETPUA21	eTPU A channel	I/O	MH	V <sub>DDEH1</sub>	—/WKPCFG	—/WKPCFG	C1	F3	F3
		A1	IRQ9	External interrupt request	I							
		A2	—	—	—							
		G	GPIO135	GPIO	I/O							
136	ETPUA22_IRQ10_ GPIO136	P	ETPUA22	eTPU A channel	I/O	MH	V <sub>DDEH1</sub>	—/WKPCFG	—/WKPCFG	E2	F4	F4
		A1	IRQ10	External interrupt request	I							
		A2	—	—	—							
		G	GPIO136	GPIO	I/O							

Table 43. Signal Properties and Muxing Summary (continued)

GPIO/PCR <sup>1</sup>	Signal Name <sup>2</sup>	P/A/G <sup>3</sup>	Function <sup>4</sup>	Function Summary	Direction	Pad Type <sup>5</sup>	Voltage <sup>6</sup>	State during RESET <sup>7</sup>	State after RESET <sup>8</sup>	Package Location		
										324	416	516
137	ETPUA23_IRQ11_ GPIO137	P	ETPUA23	eTPU A channel	I/O	MH	V <sub>DDEH1</sub>	—/WKPCFG	—/WKPCFG	D1	E1	E1
		A1	IRQ11	External interrupt request	I							
		A2	—	—	—							
		G	GPIO137	GPIO	I/O							
138	ETPUA24_IRQ12_ GPIO138	P	ETPUA24	eTPU A channel	I/O	MH	V <sub>DDEH1</sub>	—/WKPCFG	—/WKPCFG	E3	E2	E2
		A1	IRQ12	External interrupt request	I							
		A2	—	—	—							
		G	GPIO138	GPIO	I/O							
139	ETPUA25_IRQ13_ GPIO139	P	ETPUA25	eTPU A channel	I/O	MH	V <sub>DDEH1</sub>	—/WKPCFG	—/WKPCFG	D2	E3	E3
		A1	IRQ13	External interrupt request	I							
		A2	—	—	—							
		G	GPIO139	GPIO	I/O							
140	ETPUA26_IRQ14_ GPIO140	P	ETPUA26	eTPU A channel	I/O	MH	V <sub>DDEH1</sub>	—/WKPCFG	—/WKPCFG	C2	E4	E4
		A1	IRQ14	External interrupt request	I							
		A2	—	—	—							
		G	GPIO140	GPIO	I/O							
141	ETPUA27_IRQ15_ GPIO141	P	ETPUA27	eTPU A channel	I/O	MH	V <sub>DDEH1</sub>	—/WKPCFG	—/WKPCFG	F4	D1	D1
		A1	IRQ15	External interrupt request	I							
		A2	—	—	—							
		G	GPIO141	GPIO	I/O							
142	ETPUA28_PCSC1_ GPIO142	P	ETPUA28	eTPU A channel	I/O	MH	V <sub>DDEH1</sub>	—/WKPCFG	—/WKPCFG	—	D2	D2
		A1	PCSC1	DSPI C peripheral chip select	O							
		A2	—	—	—							
		G	GPIO142	GPIO	I/O							

**Table 43. Signal Properties and Muxing Summary (continued)**

GPIO/PCR <sup>1</sup>	Signal Name <sup>2</sup>	P/A/G <sup>3</sup>	Function <sup>4</sup>	Function Summary	Direction	Pad Type <sup>5</sup>	Voltage <sup>6</sup>	State during RESET <sup>7</sup>	State after RESET <sup>8</sup>	Package Location		
										324	416	516
143	ETPUA29_PCSC2_ GPIO143	P	ETPUA29	eTPU A channel	I/O	MH	V <sub>DDEH1</sub>	—/WKPCFG	—/WKPCFG	—	D3	D3
		A1	PCSC2	DSPI C peripheral chip select	O							
		A2	—	—	—							
		G	GPIO143	GPIO	I/O							
144	ETPUA30_PCSC3_ GPIO144	P	ETPUA30	eTPU A channel	I/O	MH	V <sub>DDEH1</sub>	—/WKPCFG	—/WKPCFG	E4	C1	C1
		A1	PCSC3	DSPI C peripheral chip select	O							
		A2	—	—	—							
		G	GPIO144	GPIO	I/O							
145	ETPUA31_PCSC4_ GPIO145	P	ETPUA31	eTPU A channel	I/O	MH	V <sub>DDEH1</sub>	—/WKPCFG	—/WKPCFG	D3	C2	C2
		A1	PCSC4	DSPI C peripheral chip select	O							
		A2	—	—	—							
		G	GPIO145	GPIO	I/O							
<b>eTPU_B</b>												
146	TCRCLKB_IRQ6_ GPIO146	P	TCRCLKB	eTPU B TCR clock	I	MH	V <sub>DDEH6</sub>	—/Up	—/Up	P19	T23	V25
		A1	IRQ6	External interrupt request	I							
		A2	—	—	—							
		G	GPIO146	GPIO	I/O							
147	ETPUB0_ETPUB16_ GPIO147	P	ETPUB0	eTPU B channel	I/O	MH	V <sub>DDEH6</sub>	—/WKPCFG	—/WKPCFG	N19	T24	V26
		A1	ETPUB16	eTPU B channel (output only)	O							
		A2	—	—	—							
		G	GPIO147	GPIO	I/O							
148	ETPUB1_ETPUB17_ GPIO148	P	ETPUB1	eTPU B channel	I/O	MH	V <sub>DDEH6</sub>	—/WKPCFG	—/WKPCFG	R19	T25	U22
		A1	ETPUB17	eTPU B channel (output only)	O							
		A2	—	—	—							
		G	GPIO148	GPIO	I/O							

Table 43. Signal Properties and Muxing Summary (continued)

GPIO/PCR <sup>1</sup>	Signal Name <sup>2</sup>	P/A/G <sup>3</sup>	Function <sup>4</sup>	Function Summary	Direction	Pad Type <sup>5</sup>	Voltage <sup>6</sup>	State during RESET <sup>7</sup>	State after RESET <sup>8</sup>	Package Location		
										324	416	516
149	ETPUB2_ETPUB18_ GPIO149	P	ETPUB2	eTPU B channel	I/O	MH	V <sub>DDEH6</sub>	—/WKPCFG	—/WKPCFG	R22	T26	U23
		A1	ETPUB18	eTPU B channel (output only)	O							
		A2	—	—	—							
		G	GPIO149	GPIO	I/O							
150	ETPUB3_ETPUB19_ GPIO150	P	ETPUB3	eTPU B channel	I/O	MH	V <sub>DDEH6</sub>	—/WKPCFG	—/WKPCFG	R21	R23	T22
		A1	ETPUB19	eTPU B channel (output only)	O							
		A2	—	—	—							
		G	GPIO150	GPIO	I/O							
151	ETPUB4_ETPUB20_ GPIO151	P	ETPUB4	eTPU B channel	I/O	MH	V <sub>DDEH6</sub>	—/WKPCFG	—/WKPCFG	P22	R24	U24
		A1	ETPUB20	eTPU B channel (output only)	O							
		A2	—	—	—							
		G	GPIO151	GPIO	I/O							
152	ETPUB5_ETPUB21_ GPIO152	P	ETPUB5	eTPU B channel	I/O	MH	V <sub>DDEH6</sub>	—/WKPCFG	—/WKPCFG	P21	R25	U25
		A1	ETPUB21	eTPU B channel (output only)	O							
		A2	—	—	—							
		G	GPIO152	GPIO	I/O							
153	ETPUB6_ETPUB22_ GPIO153	P	ETPUB6	eTPU B channel	I/O	MH	V <sub>DDEH6</sub>	—/WKPCFG	—/WKPCFG	N22	R26	U26
		A1	ETPUB22	eTPU B channel (output only)	O							
		A2	—	—	—							
		G	GPIO153	GPIO	I/O							
154	ETPUB7_ETPUB23_ GPIO154	P	ETPUB7	eTPU B channel	I/O	MH	V <sub>DDEH6</sub>	—/WKPCFG	—/WKPCFG	M19	P23	T23
		A1	ETPUB23	eTPU B channel (output only)	O							
		A2	—	—	—							
		G	GPIO154	GPIO	I/O							



**Table 43. Signal Properties and Muxing Summary (continued)**

GPIO/PCR <sup>1</sup>	Signal Name <sup>2</sup>	P/A/G <sup>3</sup>	Function <sup>4</sup>	Function Summary	Direction	Pad Type <sup>5</sup>	Voltage <sup>6</sup>	State during RESET <sup>7</sup>	State after RESET <sup>8</sup>	Package Location		
										324	416	516
155	ETPUB8_ETPUB24_ GPIO155	P	ETPUB8	eTPU B channel	I/O	MH	V <sub>DDEH6</sub>	—/WKPCFG	—/WKPCFG	N21	P24	T24
		A1	ETPUB24	eTPU B channel (output only)	O							
		A2	—	—	—							
		G	GPIO155	GPIO	I/O							
156	ETPUB9_ETPUB25_ GPIO156	P	ETPUB9	eTPU B channel	I/O	MH	V <sub>DDEH6</sub>	—/WKPCFG	—/WKPCFG	M22	P25	R22
		A1	ETPUB25	eTPU B channel (output only)	O							
		A2	—	—	—							
		G	GPIO156	GPIO	I/O							
157	ETPUB10_ETPUB26_ GPIO157	P	ETPUB10	eTPU B channel	I/O	MH	V <sub>DDEH6</sub>	—/WKPCFG	—/WKPCFG	M20	P26	T25
		A1	ETPUB26	eTPU B channel (output only)	O							
		A2	—	—	—							
		G	GPIO157	GPIO	I/O							
158	ETPUB11_ETPUB27_ GPIO158	P	ETPUB11	eTPU B channel	I/O	MH	V <sub>DDEH6</sub>	—/WKPCFG	—/WKPCFG	M21	N24	T26
		A1	ETPUB27	eTPU B channel (output only)	O							
		A2	—	—	—							
		G	GPIO158	GPIO	I/O							
159	ETPUB12_ETPUB28_ GPIO159	P	ETPUB12	eTPU B channel	I/O	MH	V <sub>DDEH6</sub>	—/WKPCFG	—/WKPCFG	L19	N25	R23
		A1	ETPUB28	eTPU B channel (output only)	O							
		A2	—	—	—							
		G	GPIO159	GPIO	I/O							
160	ETPUB13_ETPUB29_ GPIO160	P	ETPUB13	eTPU B channel	I/O	MH	V <sub>DDEH6</sub>	—/WKPCFG	—/WKPCFG	L20	N26	P22
		A1	ETPUB29	eTPU B channel (output only)	O							
		A2	—	—	—							
		G	GPIO160	GPIO	I/O							

Table 43. Signal Properties and Muxing Summary (continued)

GPIO/PCR <sup>1</sup>	Signal Name <sup>2</sup>	P/A/G <sup>3</sup>	Function <sup>4</sup>	Function Summary	Direction	Pad Type <sup>5</sup>	Voltage <sup>6</sup>	State during RESET <sup>7</sup>	State after RESET <sup>8</sup>	Package Location		
										324	416	516
161	ETPUB14_ETPUB30_ GPIO161	P	ETPUB14	eTPU B channel	I/O	MH	V <sub>DDEH6</sub>	—/WKPCFG	—/WKPCFG	L21	M25	R24
		A1	ETPUB30	eTPU B channel (output only)	O							
		A2	—	—	—							
		G	GPIO161	GPIO	I/O							
162	ETPUB15_ETPUB31_ GPIO162	P	ETPUB15	eTPU B channel	I/O	MH	V <sub>DDEH6</sub>	—/WKPCFG	—/WKPCFG	—	M24	R25
		A1	ETPUB31	eTPU B channel (output only)	O							
		A2	—	—	—							
		G	GPIO162	GPIO	I/O							
163	ETPUB16_PCSA1_ GPIO163	P	ETPUB16	eTPU B channel	I/O	MH	V <sub>DDEH6</sub>	—/WKPCFG	—/WKPCFG	P20	U26	V24
		A1	PCSA1	DSPI A peripheral chip select	O							
		A2	—	—	—							
		G	GPIO163	GPIO	I/O							
164	ETPUB17_PCSA2_ GPIO164	P	ETPUB17	eTPU B channel	I/O	MH	V <sub>DDEH6</sub>	—/WKPCFG	—/WKPCFG	R20	U25	T21
		A1	PCSA2	DSPI A peripheral chip select	O							
		A2	—	—	—							
		G	GPIO164	GPIO	I/O							
165	ETPUB18_PCSA3_ GPIO165	P	ETPUB18	eTPU B channel	I/O	MH	V <sub>DDEH6</sub>	—/WKPCFG	—/WKPCFG	T20	U24	W26
		A1	PCSA3	DSPI A peripheral chip select	O							
		A2	—	—	—							
		G	GPIO165	GPIO	I/O							
166	ETPUB19_PCSA4_ GPIO166	P	ETPUB19	eTPU B channel	I/O	MH	V <sub>DDEH6</sub>	—/WKPCFG	—/WKPCFG	T19	U23	W25
		A1	PCSA4	DSPI A peripheral chip select	O							
		A2	—	—	—							
		G	GPIO166	GPIO	I/O							

Table 43. Signal Properties and Muxing Summary (continued)

GPIO/PCR <sup>1</sup>	Signal Name <sup>2</sup>	P/A/G <sup>3</sup>	Function <sup>4</sup>	Function Summary	Direction	Pad Type <sup>5</sup>	Voltage <sup>6</sup>	State during RESET <sup>7</sup>	State after RESET <sup>8</sup>	Package Location		
										324	416	516
167	ETPUB20_ GPIO167	P	ETPUB20	eTPU B channel	I/O	MH	V <sub>DDEH6</sub>	—/WKPCFG	—/WKPCFG	—	V26	W24
		A1	—	—	—							
		A2	—	—	—							
		G	GPIO167	GPIO	I/O							
168	ETPUB21_ GPIO168	P	ETPUB21	eTPU B channel	I/O	MH	V <sub>DDEH6</sub>	—/WKPCFG	—/WKPCFG	—	V25	V22
		A1	—	—	—							
		A2	—	—	—							
		G	GPIO168	GPIO	I/O							
169	ETPUB22_ GPIO169	P	ETPUB22	eTPU B channel	I/O	MH	V <sub>DDEH6</sub>	—/WKPCFG	—/WKPCFG	—	V24	V23
		A1	—	—	—							
		A2	—	—	—							
		G	GPIO169	GPIO	I/O							
170	ETPUB23_ GPIO170	P	ETPUB23	eTPU B channel	I/O	MH	V <sub>DDEH6</sub>	—/WKPCFG	—/WKPCFG	—	W26	U21
		A1	—	—	—							
		A2	—	—	—							
		G	GPIO170	GPIO	I/O							
171	ETPUB24_ GPIO171	P	ETPUB24	eTPU B channel	I/O	MH	V <sub>DDEH6</sub>	—/WKPCFG	—/WKPCFG	—	W25	Y25
		A1	—	—	—							
		A2	—	—	—							
		G	GPIO171	GPIO	I/O							
172	ETPUB25_ GPIO172	P	ETPUB25	eTPU B channel	I/O	MH	V <sub>DDEH6</sub>	—/WKPCFG	—/WKPCFG	—	W24	W21
		A1	—	—	—							
		A2	—	—	—							
		G	GPIO172	GPIO	I/O							

Table 43. Signal Properties and Muxing Summary (continued)

GPIO/PCR <sup>1</sup>	Signal Name <sup>2</sup>	P/A/G <sup>3</sup>	Function <sup>4</sup>	Function Summary	Direction	Pad Type <sup>5</sup>	Voltage <sup>6</sup>	State during RESET <sup>7</sup>	State after RESET <sup>8</sup>	Package Location		
										324	416	516
173	ETPUB26_ GPIO173	P	ETPUB26	eTPU B channel	I/O	MH	V <sub>DDEH6</sub>	—/WKPCFG	—/WKPCFG	—	V23	Y23
		A1	—	—	—							
		A2	—	—	—							
		G	GPIO173	GPIO	I/O							
174	ETPUB27_ GPIO174	P	ETPUB27	eTPU B channel	I/O	MH	V <sub>DDEH6</sub>	—/WKPCFG	—/WKPCFG	—	Y25	Y24
		A1	—	—	—							
		A2	—	—	—							
		G	GPIO174	GPIO	I/O							
175	ETPUB28_ GPIO175	P	ETPUB28	eTPU B channel	I/O	MH	V <sub>DDEH6</sub>	—/WKPCFG	—/WKPCFG	—	Y24	AA24
		A1	—	—	—							
		A2	—	—	—							
		G	GPIO175	GPIO	I/O							
176	ETPUB29_ GPIO176	P	ETPUB29	eTPU B channel	I/O	MH	V <sub>DDEH6</sub>	—/WKPCFG	—/WKPCFG	—	Y23	W22
		A1	—	—	—							
		A2	—	—	—							
		G	GPIO176	GPIO	I/O							
177	ETPUB30_ GPIO177	P	ETPUB30	eTPU B channel	I/O	MH	V <sub>DDEH6</sub>	—/WKPCFG	—/WKPCFG	U20	AA24	AB24
		A1	—	—	—							
		A2	—	—	—							
		G	GPIO177	GPIO	I/O							
178	ETPUB31_ GPIO178	P	ETPUB31	eTPU B channel	I/O	MH	V <sub>DDEH6</sub>	—/WKPCFG	—/WKPCFG	U19	AB24	Y22
		A1	—	—	—							
		A2	—	—	—							
		G	GPIO178	GPIO	I/O							

**Table 43. Signal Properties and Muxing Summary (continued)**

GPIO/PCR <sup>1</sup>	Signal Name <sup>2</sup>	P/A/G <sup>3</sup>	Function <sup>4</sup>	Function Summary	Direction	Pad Type <sup>5</sup>	Voltage <sup>6</sup>	State during RESET <sup>7</sup>	State after RESET <sup>8</sup>	Package Location		
										324	416	516
<b>GPIO, IRQ, FlexRay</b>												
440	TCRCLKC_ GPIO440 <sup>9</sup>	P	—	—	—	MH	V <sub>DDEH7</sub>	—/Up	—/Up	B22	B26	F22
		A1	—	—	—							
		A2	—	—	—							
		G	GPIO440	GPIO	I/O							
441	ETPUC0_ GPIO441 <sup>9</sup>	P	—	—	—	MH	V <sub>DDEH7</sub>	—/WKPCFG	—/WKPCFG	C21	C25	C25
		A1	—	—	—							
		A2	—	—	—							
		G	GPIO441	GPIO	I/O							
442	ETPUC1_ GPIO442 <sup>9</sup>	P	—	—	—	MH	V <sub>DDEH7</sub>	—/WKPCFG	—/WKPCFG	D20	C26	C26
		A1	—	—	—							
		A2	—	—	—							
		G	GPIO442	GPIO	I/O							
443	ETPUC2_ GPIO443 <sup>9</sup>	P	—	—	—	MH	V <sub>DDEH7</sub>	—/WKPCFG	—/WKPCFG	D22	D25	D25
		A1	—	—	—							
		A2	—	—	—							
		G	GPIO443	GPIO	I/O							
444	ETPUC3_ GPIO444 <sup>9</sup>	P	—	—	—	MH	V <sub>DDEH7</sub>	—/WKPCFG	—/WKPCFG	D21	D26	D26
		A1	—	—	—							
		A2	—	—	—							
		G	GPIO444	GPIO	I/O							
445	ETPUC4_ GPIO445 <sup>9</sup>	P	—	—	—	MH	V <sub>DDEH7</sub>	—/WKPCFG	—/WKPCFG	E22	E24	E24
		A1	—	—	—							
		A2	—	—	—							
		G	GPIO445	GPIO	I/O							

Table 43. Signal Properties and Muxing Summary (continued)

GPIO/PCR <sup>1</sup>	Signal Name <sup>2</sup>	P/A/G <sup>3</sup>	Function <sup>4</sup>	Function Summary	Direction	Pad Type <sup>5</sup>	Voltage <sup>6</sup>	State during RESET <sup>7</sup>	State after RESET <sup>8</sup>	Package Location		
										324	416	516
446	ETPUC5_ GPIO446 <sup>9</sup>	P	—	—	I/O	MH	V <sub>DDEH7</sub>	—/WKPCFG	—/WKPCFG	E19	E25	E25
		A1	—	—	—							
		A2	—	—	—							
		G	GPIO446	GPIO	I/O							
447	ETPUC6_ GPIO447 <sup>9</sup>	P	—	—	I/O	MH	V <sub>DDEH7</sub>	—/WKPCFG	—/WKPCFG	—	E26	E26
		A1	—	—	—							
		A2	—	—	—							
		G	GPIO447	GPIO	I/O							
448	ETPUC7_ GPIO448 <sup>9</sup>	P	—	—	I/O	MH	V <sub>DDEH7</sub>	—/WKPCFG	—/WKPCFG	—	F23	F23
		A1	—	—	—							
		A2	—	—	—							
		G	GPIO448	GPIO	I/O							
449	ETPUC8_ GPIO449 <sup>9</sup>	P	—	—	I/O	MH	V <sub>DDEH7</sub>	—/WKPCFG	—/WKPCFG	—	F24	F24
		A1	—	—	—							
		A2	—	—	—							
		G	GPIO449	GPIO	I/O							
450	ETPUC9_IRQ0_ GPIO450 <sup>9</sup>	P	—	—	—	MH	V <sub>DDEH7</sub>	—/WKPCFG	—/WKPCFG	F22	F25	F25
		A1	IRQ0	External interrupt request	I							
		A2	—	—	—							
		G	GPIO450	GPIO	I/O							
451	ETPUC10_IRQ1_ GPIO451 <sup>9</sup>	P	—	—	—	MH	V <sub>DDEH7</sub>	—/WKPCFG	—/WKPCFG	E20	F26	F26
		A1	IRQ1	External interrupt request	I							
		A2	—	—	—							
		G	GPIO451	GPIO	I/O							

**Table 43. Signal Properties and Muxing Summary (continued)**

GPIO/PCR <sup>1</sup>	Signal Name <sup>2</sup>	P/A/G <sup>3</sup>	Function <sup>4</sup>	Function Summary	Direction	Pad Type <sup>5</sup>	Voltage <sup>6</sup>	State during RESET <sup>7</sup>	State after RESET <sup>8</sup>	Package Location		
										324	416	516
452	ETPUC11_IRQ2_ GPIO452 <sup>9</sup>	P	—	—	—	MH	V <sub>DDEH7</sub>	—/WKPCFG	—/WKPCFG	E21	G23	G22
		A1	IRQ2	External interrupt request	I							
		A2	—	—	—							
		G	GPIO452	GPIO	I/O							
453	ETPUC12_IRQ3_ GPIO453 <sup>9</sup>	P	—	—	—	MH	V <sub>DDEH7</sub>	—/WKPCFG	—/WKPCFG	F19	G24	G23
		A1	IRQ3	External interrupt request	I							
		A2	—	—	—							
		G	GPIO453	GPIO	I/O							
454	ETPUC13_3_IRQ4_ GPIO454 <sup>9</sup>	P	—	—	—	MH	V <sub>DDEH7</sub>	—/WKPCFG	—/WKPCFG	F21	G25	G24
		A1	IRQ4	External interrupt request	I							
		A2	—	—	—							
		G	GPIO454	GPIO	I/O							
455	ETPUC14_4_IRQ5_ GPIO455 <sup>9</sup>	P	—	—	—	MH	V <sub>DDEH7</sub>	—/WKPCFG	—/WKPCFG	F20	G26	G25
		A1	IRQ5	External interrupt request	I							
		A2	—	—	—							
		G	GPIO455	GPIO	I/O							
456	ETPUC15_ GPIO456 <sup>9</sup>	P	—	—	—	MH	V <sub>DDEH7</sub>	—/WKPCFG	—/WKPCFG	—	H23	G26
		A1	—	—	—							
		A2	—	—	—							
		G	GPIO456	GPIO	I/O							
457	ETPUC16_FR_A_TX_ GPIO457 <sup>9</sup>	P	—	—	—	MH	V <sub>DDEH7</sub>	—/WKPCFG	—/WKPCFG	—	H24	H22
		A1	FR_A_TX	FlexRay A transfer	O							
		A2	—	—	—							
		G	GPIO457	GPIO	I/O							

Table 43. Signal Properties and Muxing Summary (continued)

GPIO/PCR <sup>1</sup>	Signal Name <sup>2</sup>	P/A/G <sup>3</sup>	Function <sup>4</sup>	Function Summary	Direction	Pad Type <sup>5</sup>	Voltage <sup>6</sup>	State during RESET <sup>7</sup>	State after RESET <sup>8</sup>	Package Location		
										324	416	516
458	ETPUC17_FR_A_RX_ GPIO458 <sup>9</sup>	P	—	—	—	MH	V <sub>DDEH7</sub>	—/WKPCFG	—/WKPCFG	G22	H25	H23
		A1	FR_A_RX	FlexRay A receive	I							
		A2	—	—	—							
		G	GPIO458	GPIO	I/O							
459	ETPUC18_FR_A_TX_EN_ GPIO459 <sup>9</sup>	P	—	—	—	MH	V <sub>DDEH7</sub>	—/WKPCFG	—/WKPCFG	G20	H26	H24
		A1	FR_A_TX_EN	FlexRay A transfer enable	O							
		A2	—	—	—							
		G	GPIO459	GPIO	I/O							
460	ETPUC19_TXDA_ GPIO460 <sup>9</sup>	P	—	—	—	MH	V <sub>DDEH7</sub>	—/WKPCFG	—/WKPCFG	G21	J23	H21
		A1	TXDA	eSCI A transmit	O							
		A2	—	—	—							
		G	GPIO460	GPIO	I/O							
461	ETPUC20_RXDA_ GPIO461 <sup>9</sup>	P	—	—	—	MH	V <sub>DDEH7</sub>	—/WKPCFG	—/WKPCFG	G19	J24	H25
		A1	RXDA	eSCI A receive	I							
		A2	—	—	—							
		G	GPIO461	GPIO	I/O							
462	ETPUC21_TXDB_ GPIO462 <sup>9</sup>	P	—	—	—	MH	V <sub>DDEH7</sub>	—/WKPCFG	—/WKPCFG	H22	J25	H26
		A1	TXDB	eSCI B transmit	O							
		A2	—	—	—							
		G	GPIO462	GPIO	I/O							
463	ETPUC22_RXDB_ GPIO463 <sup>9</sup>	P	—	—	—	MH	V <sub>DDEH7</sub>	—/WKPCFG	—/WKPCFG	H21	J26	J22
		A1	RXDB	eSCI B receive	I							
		A2	—	—	—							
		G	GPIO463	GPIO	I/O							



Table 43. Signal Properties and Muxing Summary (continued)

GPIO/PCR <sup>1</sup>	Signal Name <sup>2</sup>	P/A/G <sup>3</sup>	Function <sup>4</sup>	Function Summary	Direction	Pad Type <sup>5</sup>	Voltage <sup>6</sup>	State during RESET <sup>7</sup>	State after RESET <sup>8</sup>	Package Location		
										324	416	516
464	ETPUC23_PCSD5_ GPIO464 <sup>9</sup>	P	—	—	—	MH	V <sub>DDEH7</sub>	—/WKPCFG	—/WKPCFG	H20	K23	J23
		A1	PCSD5	DSPI D peripheral chip select	O							
		A2	MAA0	ADC A Mux Address 0	O							
		A3	MAB0	ADC B Mux Address 0	O							
		G	GPIO464	GPIO	I/O							
465	ETPUC24_PCSD4_ GPIO465 <sup>9</sup>	P	—	—	—	MH	V <sub>DDEH7</sub>	—/WKPCFG	—/WKPCFG	J22	K24	J24
		A1	PCSD4	DSPI D peripheral chip select	O							
		A2	MAA1	ADC A Mux Address 1	O							
		A4	MAB1	ADC B Mux Address 1	O							
		G	GPIO465	GPIO	I/O							
466	ETPUC25_PCSD3_ GPIO466 <sup>9</sup>	P	—	—	—	MH	V <sub>DDEH7</sub>	—/WKPCFG	—/WKPCFG	K22	K25	K21
		A1	PCSD3	DSPI D peripheral chip select	O							
		A2	MAA2	ADC A Mux Address 2	O							
		A3	MAB2	ADC B Mux Address 2	O							
		G	GPIO466	GPIO	I/O							
467	ETPUC26_PCSD2_ GPIO467 <sup>9</sup>	P	—	—	—	MH	V <sub>DDEH7</sub>	—/WKPCFG	—/WKPCFG	J21	K26	J25
		A1	PCSD2	DSPI D peripheral chip select	O							
		A2	—	—	—							
		G	GPIO467	GPIO	I/O							
468	ETPUC27_PCSD1_ GPIO468 <sup>9</sup>	P	—	—	—	MH	V <sub>DDEH7</sub>	—/WKPCFG	—/WKPCFG	J19	L23	J26
		A1	PCSD1	DSPI D peripheral chip select	O							
		A2	—	—	—							
		G	GPIO468	GPIO	I/O							
469	ETPUC28_PCSD0_ GPIO469 <sup>9</sup>	P	—	—	—	MH	V <sub>DDEH7</sub>	—/WKPCFG	—/WKPCFG	J20	L24	K22
		A1	PCSD0	DSPI D peripheral chip select	I/O							
		A2	—	—	—							
		G	GPIO469	GPIO	I/O							

Table 43. Signal Properties and Muxing Summary (continued)

GPIO/PCR <sup>1</sup>	Signal Name <sup>2</sup>	P/A/G <sup>3</sup>	Function <sup>4</sup>	Function Summary	Direction	Pad Type <sup>5</sup>	Voltage <sup>6</sup>	State during RESET <sup>7</sup>	State after RESET <sup>8</sup>	Package Location		
										324	416	516
470	ETPUC29_SCKD_ GPIO470 <sup>9</sup>	P	—	—	—	MH	V <sub>DDEH7</sub>	—/WKPCFG	—/WKPCFG	K21	L25	K23
		A1	SCKD	DSPI D clock	I/O							
		A2	—	—	—							
		G	GPIO470	GPIO	I/O							
471	ETPUC30_SOUTD_ GPIO471 <sup>9</sup>	P	—	—	—	MH	V <sub>DDEH7</sub>	—/WKPCFG	—/WKPCFG	K20	L26	K24
		A1	SOUTD	DSPI D data output	O							
		A2	—	—	—							
		G	GPIO471	GPIO	I/O							
472	ETPUC31_SIND_ GPIO472 <sup>9</sup>	P	—	—	—	MH	V <sub>DDEH7</sub>	—/WKPCFG	—/WKPCFG	K19	M23	K25
		A1	SIND	DSPI D data input	I							
		A2	—	—	—							
		G	GPIO472	GPIO	I/O							
<b>eMIOS</b>												
179	EMIOS0_ETPUA0_ GPIO179	P	EMIOS0	eMIOS channel	I/O	MH	V <sub>DDEH4</sub>	—/WKPCFG	—/WKPCFG	AA9	AE10	AC13
		A1	ETPUA0	eTPU A channel	O							
		A2	—	—	—							
		G	GPIO179	GPIO	I/O							
180	EMIOS1_ETPUA1_ GPIO180	P	EMIOS1	eMIOS channel	I/O	MH	V <sub>DDEH4</sub>	—/WKPCFG	—/WKPCFG	AB9	AF10	AB13
		A1	ETPUA1	eTPU A channel	O							
		A2	—	—	—							
		G	GPIO180	GPIO	I/O							
181	EMIOS2_ETPUA2_ GPIO181	P	EMIOS2	eMIOS channel	I/O	MH	V <sub>DDEH4</sub>	—/WKPCFG	—/WKPCFG	Y10	AD11	AD13
		A1	ETPUA2	eTPU A channel	O							
		A2	—	—	—							
		G	GPIO181	GPIO	I/O							

**Table 43. Signal Properties and Muxing Summary (continued)**

GPIO/PCR <sup>1</sup>	Signal Name <sup>2</sup>	P/A/G <sup>3</sup>	Function <sup>4</sup>	Function Summary	Direction	Pad Type <sup>5</sup>	Voltage <sup>6</sup>	State during RESET <sup>7</sup>	State after RESET <sup>8</sup>	Package Location		
										324	416	516
182	EMIOS3_ETPUA3_ GPIO182	P	EMIOS3	eMIOS channel	I/O	MH	V <sub>DDEH4</sub>	—/WKPCFG	—/WKPCFG	AA10	AE11	AE13
		A1	ETPUA3	eTPU A channel	O							
		A2	—	—	—							
		G	GPIO182	GPIO	I/O							
183	EMIOS4_ETPUA4_ GPIO183	P	EMIOS4	eMIOS channel	I/O	MH	V <sub>DDEH4</sub>	—/WKPCFG	—/WKPCFG	AB10	AF11	AF13
		A1	ETPUA4	eTPU A channel	O							
		A2	—	—	—							
		G	GPIO183	GPIO	I/O							
184	EMIOS5_ETPUA5_ GPIO184	P	EMIOS5	eMIOS channel	I/O	MH	V <sub>DDEH4</sub>	—/WKPCFG	—/WKPCFG	Y11	AD12	AF14
		A1	ETPUA5	eTPU A channel	O							
		A2	—	—	—							
		G	GPIO184	GPIO	I/O							
185	EMIOS6_ETPUA6_ GPIO185	P	EMIOS6	eMIOS channel	I/O	MH	V <sub>DDEH4</sub>	—/WKPCFG	—/WKPCFG	—	AE12	AE14
		A1	ETPUA6	eTPU A channel	O							
		A2	—	—	—							
		G	GPIO185	GPIO	I/O							
186	EMIOS7_ETPUA7_ GPIO186	P	EMIOS7	eMIOS channel	I/O	MH	V <sub>DDEH4</sub>	—/WKPCFG	—/WKPCFG	AB11	AF12	AD14
		A1	ETPUA7	eTPU A channel	O							
		A2	—	—	—							
		G	GPIO186	GPIO	I/O							
187	EMIOS8_ETPUA8_ GPIO187	P	EMIOS8	eMIOS channel	I/O	MH	V <sub>DDEH4</sub>	—/WKPCFG	—/WKPCFG	W10	AC13	AC14
		A1	ETPUA8	eTPU A channel	O							
		A2	—	—	—							
		G	GPIO187	GPIO	I/O							

Table 43. Signal Properties and Muxing Summary (continued)

GPIO/PCR <sup>1</sup>	Signal Name <sup>2</sup>	P/A/G <sup>3</sup>	Function <sup>4</sup>	Function Summary	Direction	Pad Type <sup>5</sup>	Voltage <sup>6</sup>	State during RESET <sup>7</sup>	State after RESET <sup>8</sup>	Package Location		
										324	416	516
188	EMIOS9_ETPUA9_ GPIO188	P	EMIOS9	eMIOS channel	I/O	MH	V <sub>DDEH4</sub>	—/WKPCFG	—/WKPCFG	W11	AD13	AF15
		A1	ETPUA9	eTPU A channel	O							
		A2	—	—	—							
		G	GPIO188	GPIO	I/O							
189	EMIOS10_SCKD_ GPIO189	P	EMIOS10	eMIOS channel	I/O	MH	V <sub>DDEH4</sub>	—/WKPCFG	—/WKPCFG	AA11	AE13	AE15
		A1	SCKD	DSPI D clock	O							
		A2	—	—	—							
		G	GPIO189	GPIO	I/O							
190	EMIOS11_SIND_ GPIO190	P	EMIOS11	eMIOS channel	I/O	MH	V <sub>DDEH4</sub>	—/WKPCFG	—/WKPCFG	AB12	AF13	AB14
		A1	SIND	DSPI D data input	I							
		A2	—	—	—							
		G	GPIO190	GPIO	I/O							
191	EMIOS12_SOUTC_ GPIO191	P	EMIOS12	eMIOS channel	O	MH	V <sub>DDEH4</sub>	—/WKPCFG	—/WKPCFG	AB13	AF14	AD15
		A1	SOUTC	DSPI C data output	O							
		A2	—	—	—							
		G	GPIO191	GPIO	I/O							
192	EMIOS13_SOUTD_ GPIO192	P	EMIOS13	eMIOS channel	O	MH	V <sub>DDEH4</sub>	—/WKPCFG	—/WKPCFG	AA12	AE14	AC15
		A1	SOUTD	DSPI D data output	O							
		A2	—	—	—							
		G	GPIO192	GPIO	I/O							
193	EMIOS14_IRQ0_ GPIO193	P	EMIOS14	eMIOS channel	O	MH	V <sub>DDEH4</sub>	—/WKPCFG	—/WKPCFG	Y12	AC14	AF17
		A1	IRQ0	External interrupt request	I							
		A2	CNTXD	FlexCAN D transmit	O							
		G	GPIO193	GPIO	I/O							

**Table 43. Signal Properties and Muxing Summary (continued)**

GPIO/PCR <sup>1</sup>	Signal Name <sup>2</sup>	P/A/G <sup>3</sup>	Function <sup>4</sup>	Function Summary	Direction	Pad Type <sup>5</sup>	Voltage <sup>6</sup>	State during RESET <sup>7</sup>	State after RESET <sup>8</sup>	Package Location		
										324	416	516
194	EMIOS15_IRQ1_ GPIO194	P	EMIOS15	eMIOS channel	O	MH	V <sub>DDEH4</sub>	—/WKPCFG	—/WKPCFG	Y13	AD14	AE16
		A1	IRQ1	External interrupt request	I							
		A2	CNRXD	FlexCAN D receive	I							
		G	GPIO194	GPIO	I/O							
195	EMIOS16_ETPUB0_ GPIO195	P	EMIOS16	eMIOS channel	I/O	MH	V <sub>DDEH4</sub>	—/WKPCFG	—/WKPCFG	AB14	AF15	AD16
		A1	ETPUB0	eTPU B channel	O							
		A2	FR_DBG[3]	FlexRay debug	O							
		G	GPIO195	GPIO	I/O							
196	EMIOS17_ETPUB1_ GPIO196	P	EMIOS17	eMIOS channel	I/O	MH	V <sub>DDEH4</sub>	—/WKPCFG	—/WKPCFG	AA13	AE15	AB15
		A1	ETPUB1	eTPU B channel	O							
		A2	FR_DBG[2]	FlexRay debug	O							
		G	GPIO196	GPIO	I/O							
197	EMIOS18_ETPUB2_ GPIO197	P	EMIOS18	eMIOS channel	I/O	MH	V <sub>DDEH4</sub>	—/WKPCFG	—/WKPCFG	W12	AC15	AD17
		A1	ETPUB2	eTPU B channel	O							
		A2	FR_DBG[1]	FlexRay debug	O							
		G	GPIO197	GPIO	I/O							
198	EMIOS19_ETPUB3_ GPIO198	P	EMIOS19	eMIOS channel	I/O	MH	V <sub>DDEH4</sub>	—/WKPCFG	—/WKPCFG	Y14	AD15	AB16
		A1	ETPUB3	eTPU B channel	O							
		A2	FR_DBG[0]	FlexRay debug	O							
		G	GPIO198	GPIO	I/O							
199	EMIOS20_ETPUB4_ GPIO199	P	EMIOS20	eMIOS channel	I/O	MH	V <sub>DDEH4</sub>	—/WKPCFG	—/WKPCFG	AB15	AF16	AF16
		A1	ETPUB4	eTPU B channel	O							
		A2	—	—	—							
		G	GPIO199	GPIO	I/O							

Table 43. Signal Properties and Muxing Summary (continued)

GPIO/PCR <sup>1</sup>	Signal Name <sup>2</sup>	P/A/G <sup>3</sup>	Function <sup>4</sup>	Function Summary	Direction	Pad Type <sup>5</sup>	Voltage <sup>6</sup>	State during RESET <sup>7</sup>	State after RESET <sup>8</sup>	Package Location		
										324	416	516
200	EMIOS21_ETPUB5_ GPIO200	P	EMIOS21	eMIOS channel	I/O	MH	V <sub>DDEH4</sub>	—/WKPCFG	—/WKPCFG	AA14	AE16	AE17
		A1	ETPUB5	eTPU B channel	O							
		A2	—	—	—							
		G	GPIO200	GPIO	I/O							
201	EMIOS22_ETPUB6_ GPIO201	P	EMIOS22	eMIOS channel	I/O	MH	V <sub>DDEH4</sub>	—/WKPCFG	—/WKPCFG	W13	AC16	AC16
		A1	ETPUB6	eTPU B channel	O							
		A2	—	—	—							
		G	GPIO201	GPIO	I/O							
202	EMIOS23_ETPUB7_ GPIO202	P	EMIOS23	eMIOS channel	I/O	MH	V <sub>DDEH4</sub>	—/WKPCFG	—/WKPCFG	Y15	AD16	AA16
		A1	ETPUB7	eTPU B channel	O							
		A2	—	—	—							
		G	GPIO202	GPIO	I/O							
203	EMIOS24_PCSB0_ GPIO203	P	EMIOS24	eMIOS channel	I/O	MH	V <sub>DDEH4</sub>	—/WKPCFG	—/WKPCFG	AB16	AF17	AC17
		A1	PCSB0	DSPI B peripheral chip select	I/O							
		A2	—	—	—							
		G	GPIO203	GPIO	I/O							
204	EMIOS25_PCSB1_ GPIO204	P	EMIOS25	eMIOS channel	I/O	MH	V <sub>DDEH4</sub>	—/WKPCFG	—/WKPCFG	AA15	AE17	AF18
		A1	PCSB1	DSPI B peripheral chip select	O							
		A2	—	—	—							
		G	GPIO204	GPIO	I/O							
432	EMIOS26_PCSB2_ GPIO432	P	EMIOS26	eMIOS channel	I/O	MH	V <sub>DDEH4</sub>	—/WKPCFG	—/WKPCFG	Y16	AD17	AE18
		A1	PCSB2	DSPI B peripheral chip select	O							
		A2	—	—	—							
		G	GPIO432	GPIO	I/O							

**Table 43. Signal Properties and Muxing Summary (continued)**

GPIO/PCR <sup>1</sup>	Signal Name <sup>2</sup>	P/A/G <sup>3</sup>	Function <sup>4</sup>	Function Summary	Direction	Pad Type <sup>5</sup>	Voltage <sup>6</sup>	State during RESET <sup>7</sup>	State after RESET <sup>8</sup>	Package Location		
										324	416	516
433	EMIOS27_PCSB3_GPIO433	P	EMIOS27	eMIOS channel	I/O	MH	V <sub>DDEH4</sub>	—/WKPCFG	—/WKPCFG	W14	AC17	AD18
		A1	PCSB3	DSPI B peripheral chip select	O							
		A2	—	—	—							
		G	GPIO433	GPIO	I/O							
434	EMIOS28_PCSC0_GPIO434	P	EMIOS28	eMIOS channel	I/O	MH	V <sub>DDEH4</sub>	—/WKPCFG	—/WKPCFG	AA16	AF18	AC18
		A1	PCSC0	DSPI C peripheral chip select	I/O							
		A2	—	—	—							
		G	GPIO434	GPIO	I/O							
435	EMIOS29_PCSC1_GPIO435	P	EMIOS29	eMIOS channel	I/O	MH	V <sub>DDEH4</sub>	—/WKPCFG	—/WKPCFG	AA17	AE18	AB17
		A1	PCSC1	DSPI C peripheral chip select	O							
		A2	—	—	—							
		G	GPIO435	GPIO	I/O							
436	EMIOS30_PCSC2_GPIO436	P	EMIOS30	eMIOS channel	I/O	MH	V <sub>DDEH4</sub>	—/WKPCFG	—/WKPCFG	Y17	AD18	AF19
		A1	PCSC2	DSPI C peripheral chip select	O							
		A2	—	—	—							
		G	GPIO436	GPIO	I/O							
437	EMIOS31_PCSC5_GPIO437	P	EMIOS31	eMIOS channel	I/O	MH	V <sub>DDEH4</sub>	—/WKPCFG	—/WKPCFG	W15	AC18	AA17
		A1	PCSC5	DSPI C peripheral chip select	O							
		A2	—	—	—							
		G	GPIO437	GPIO	I/O							
<b>eQADC</b>												
—	ANA0	P	ANA0 <sup>10</sup>	eQADC A analog input	I	AE/up-down	V <sub>DDA_A1</sub>	ANA0	ANA0	A4	A4	A4
—	ANA1	P	ANA1 <sup>10</sup>	eQADC A analog input	I	AE/up-down	V <sub>DDA_A1</sub>	ANA1	ANA1	A5	B5	B5
—	ANA2	P	ANA2 <sup>10</sup>	eQADC A analog input	I	AE/up-down	V <sub>DDA_A1</sub>	ANA2	ANA2	B5	C5	C5

Table 43. Signal Properties and Muxing Summary (continued)

GPIO/PCR <sup>1</sup>	Signal Name <sup>2</sup>	P/A/G <sup>3</sup>	Function <sup>4</sup>	Function Summary	Direction	Pad Type <sup>5</sup>	Voltage <sup>6</sup>	State during RESET <sup>7</sup>	State after RESET <sup>8</sup>	Package Location		
										324	416	516
—	ANA3	P	ANA3 <sup>10</sup>	eQADC A analog input	I	AE/up-down	V <sub>DDA_A1</sub>	ANA3	ANA3	B6	D6	D6
—	ANA4	P	ANA4 <sup>10</sup>	eQADC A analog input	I	AE/up-down	V <sub>DDA_A1</sub>	ANA4	ANA4	A6	A5	A5
—	ANA5	P	ANA5 <sup>10</sup>	eQADC A analog input	I	AE/up-down	V <sub>DDA_A1</sub>	ANA5	ANA5	A7	B6	B6
—	ANA6	P	ANA6 <sup>10</sup>	eQADC A analog input	I	AE/up-down	V <sub>DDA_A1</sub>	ANA6	ANA6	B7	C6	C6
—	ANA7	P	ANA7 <sup>10</sup>	eQADC A analog input	I	AE/up-down	V <sub>DDA_A1</sub>	ANA7	ANA7	B8	D7	C7
—	ANA8	P	ANA8	eQADC A analog input	I	AE	V <sub>DDA_A1</sub>	ANA8	ANA8	C5	A6	D7
—	ANA9	P	ANA9	eQADC A analog input	I	AE	V <sub>DDA_A1</sub>	ANA9	ANA9	C7	C7	A6
—	ANA10	P	ANA10	eQADC A analog input	I	AE	V <sub>DDA_A1</sub>	ANA10	ANA10	C6	B7	B7
—	ANA11	P	ANA11	eQADC A analog input	I	AE	V <sub>DDA_A1</sub>	ANA11	ANA11	D6	A7	A7
—	ANA12	P	ANA12	eQADC A analog input	I	AE	V <sub>DDA_A1</sub>	ANA12	ANA12	D7	D8	D8
—	ANA13	P	ANA13	eQADC A analog input	I	AE	V <sub>DDA_A1</sub>	ANA13	ANA13	C8	C8	C8
—	ANA14	P	ANA14	eQADC A analog input	I	AE	V <sub>DDA_A1</sub>	ANA14	ANA14	D8	B8	B8
—	ANA15	P	ANA15	eQADC A analog input	I	AE	V <sub>DDA_A1</sub>	ANA15	ANA15	A8	A8	A8
—	ANA16	P	ANA16	eQADC A analog input	I	AE	V <sub>DDA_A1</sub>	ANA16	ANA16	D9	D9	D9
—	ANA17	P	ANA17	eQADC A analog input	I	AE	V <sub>DDA_A1</sub>	ANA17	ANA17	C9	C9	C9
—	ANA18	P	ANA18	eQADC A analog input	I	AE	V <sub>DDA_A1</sub>	ANA18	ANA18	D10	D10	D10
—	ANA19	P	ANA19	eQADC A analog input	I	AE	V <sub>DDA_A1</sub>	ANA19	ANA19	C10	C10	C10
—	ANA20	P	ANA20	eQADC A analog input	I	AE	V <sub>DDA_A1</sub>	ANA20	ANA20	D11	D11	D11
—	ANA21	P	ANA21	eQADC A analog input	I	AE	V <sub>DDA_A1</sub>	ANA21	ANA21	C11	C11	C11
—	ANA22	P	ANA22	eQADC A analog input	I	AE	V <sub>DDA_A1</sub>	ANA22	ANA22	D12	D12	C12
—	ANA23	P	ANA23	eQADC A analog input	I	AE	V <sub>DDA_A1</sub>	ANA23	ANA23	C12	C12	D12
—	AN24	P	AN24	eQADC A and B shared analog input	I	AE	V <sub>DDA_A0</sub>	AN24	AN24	—	B12	B12
—	AN25	P	AN25	eQADC A and B shared analog input	I	AE	V <sub>DDA_A0</sub>	AN25	AN25	—	D13	C13
—	AN26	P	AN26	eQADC A and B shared analog input	I	AE	V <sub>DDA_A0</sub>	AN26	AN26	—	C13	D13



Table 43. Signal Properties and Muxing Summary (continued)

GPIO/PCR <sup>1</sup>	Signal Name <sup>2</sup>	P/A/G <sup>3</sup>	Function <sup>4</sup>	Function Summary	Direction	Pad Type <sup>5</sup>	Voltage <sup>6</sup>	State during RESET <sup>7</sup>	State after RESET <sup>8</sup>	Package Location		
										324	416	516
—	AN27	P	AN27	eQADC A and B shared analog input	I	AE	V <sub>DDA_A0</sub>	AN27	AN27	—	B13	B13
—	AN28	P	AN28	eQADC A and B shared analog input	I	AE	V <sub>DDA_A0</sub>	AN28	AN28	—	A13	A13
—	AN29	P	AN29	eQADC A and B shared analog input	I	AE	V <sub>DDA_A0</sub>	AN29	AN29	—	B14	A14
—	AN30	P	AN30	eQADC A and B shared analog input	I	AE	V <sub>DDA_B1</sub>	AN30	AN30	—	C14	B14
—	AN31	P	AN31	eQADC A and B shared analog input	I	AE	V <sub>DDA_B1</sub>	AN31	AN31	—	D14	C14
—	AN32	P	AN32	eQADC A and B shared analog input	I	AE	V <sub>DDA_B1</sub>	AN32	AN32	—	A14	B15
—	AN33	P	AN33	eQADC A and B shared analog input	I	AE	V <sub>DDA_B0</sub>	AN33	AN33	—	B15	D14
—	AN34	P	AN34	eQADC A and B shared analog input	I	AE	V <sub>DDA_B0</sub>	AN34	AN34	—	C15	C15
—	AN35	P	AN35	eQADC A and B shared analog input	I	AE	V <sub>DDA_B0</sub>	AN35	AN35	—	D15	D15
—	AN36	P	AN36	eQADC A and B shared analog input	I	AE	V <sub>DDA_B1</sub>	AN36	AN36	—	A15	A15
—	AN37	P	AN37	eQADC A and B shared analog input	I	AE	V <sub>DDA_B0</sub>	AN37	AN37	—	C16	C17
—	AN38	P	AN38	eQADC A and B shared analog input	I	AE	V <sub>DDA_B0</sub>	AN38	AN38	—	C17	D16
—	AN39	P	AN39	eQADC A and B shared analog input	I	AE	V <sub>DDA_B0</sub>	AN39	AN39	—	D16	C16
—	ANB0	P	ANB0	eQADC B analog input	I	AE/up-down	V <sub>DDA_B0</sub>	ANB0	ANB0	B15	C18	C18
—	ANB1	P	ANB1	eQADC B analog input	I	AE/up-down	V <sub>DDA_B0</sub>	ANB1	ANB1	B16	D17	D17
—	ANB2	P	ANB2	eQADC B analog input	I	AE/up-down	V <sub>DDA_B0</sub>	ANB2	ANB2	A17	D18	D18
—	ANB3	P	ANB3	eQADC B analog input	I	AE/up-down	V <sub>DDA_B0</sub>	ANB3	ANB3	A18	D19	D19
—	ANB4	P	ANB4	eQADC B analog input	I	AE/up-down	V <sub>DDA_B0</sub>	ANB4	ANB4	B17	C19	B19
—	ANB5	P	ANB5	eQADC B analog input	I	AE/up-down	V <sub>DDA_B0</sub>	ANB5	ANB5	B18	C20	A20
—	ANB6	P	ANB6	eQADC B analog input	I	AE/up-down	V <sub>DDA_B0</sub>	ANB6	ANB6	A19	B19	C20
—	ANB7	P	ANB7	eQADC B analog input	I	AE/up-down	V <sub>DDA_B0</sub>	ANB7	ANB7	A20	A20	C19
—	ANB8	P	ANB8	eQADC B analog input	I	AE	V <sub>DDA_B0</sub>	ANB8	ANB8	D13	B20	B20

Table 43. Signal Properties and Muxing Summary (continued)

GPIO/PCR <sup>1</sup>	Signal Name <sup>2</sup>	P/A/G <sup>3</sup>	Function <sup>4</sup>	Function Summary	Direction	Pad Type <sup>5</sup>	Voltage <sup>6</sup>	State during RESET <sup>7</sup>	State after RESET <sup>8</sup>	Package Location		
										324	416	516
—	ANB9	P	ANB9	eQADC B analog input	I	AE	V <sub>DDA_B0</sub>	ANB9	ANB9	C14	D20	A21
—	ANB10	P	ANB10	eQADC B analog input	I	AE	V <sub>DDA_B0</sub>	ANB10	ANB10	C13	B21	B21
—	ANB11	P	ANB11	eQADC B analog input	I	AE	V <sub>DDA_B0</sub>	ANB11	ANB11	C15	A21	C21
—	ANB12	P	ANB12	eQADC B analog input	I	AE	V <sub>DDA_B0</sub>	ANB12	ANB12	C16	C21	A22
—	ANB13	P	ANB13	eQADC B analog input	I	AE	V <sub>DDA_B0</sub>	ANB13	ANB13	D14	D21	B22
—	ANB14	P	ANB14	eQADC B analog input	I	AE	V <sub>DDA_B0</sub>	ANB14	ANB14	C17	A22	D20
—	ANB15	P	ANB15	eQADC B analog input	I	AE	V <sub>DDA_B0</sub>	ANB15	ANB15	D15	B22	C22
—	ANB16	P	ANB16	eQADC B analog input	I	AE	V <sub>DDA_B0</sub>	ANB16	ANB16	C18	C22	D21
—	ANB17	P	ANB17	eQADC B analog input	I	AE	V <sub>DDA_B0</sub>	ANB17	ANB17	D16	A23	D22
—	ANB18	P	ANB18	eQADC B analog input	I	AE	V <sub>DDA_B0</sub>	ANB18	ANB18	D17	B23	A23
—	ANB19	P	ANB19	eQADC B analog input	I	AE	V <sub>DDA_B0</sub>	ANB19	ANB19	B19	C23	B23
—	ANB20	P	ANB20	eQADC B analog input	I	AE	V <sub>DDA_B0</sub>	ANB20	ANB20	C19	D22	C23
—	ANB21	P	ANB21	eQADC B analog input	I	AE	V <sub>DDA_B0</sub>	ANB21	ANB21	D18	A24	A24
—	ANB22	P	ANB22	eQADC B analog input	I	AE	V <sub>DDA_B0</sub>	ANB22	ANB22	A21	B24	B24
—	ANB23	P	ANB23	eQADC B analog input	I	AE	V <sub>DDA_B0</sub>	ANB23	ANB23	B20	A25	E20
—	VRH_A	P	VRH_A	ADC A Voltage reference high	I	VDDINT	V <sub>RH_A</sub>	VRH_A	VRH_A	A10	A12	A12
—	VRL_A	P	VRL_A	ADC A Voltage reference low	I	VSSINT	V <sub>RL_A</sub>	VRL_A	VRL_A	A11	A11	A11
—	VRH_B	P	VRH_B	ADC B Voltage reference high	I	VDDINT	V <sub>RH_B</sub>	VRH_B	VRH_B	A16	A19	A19
—	VRL_B	P	VRL_B	ADC B Voltage reference low	I	VSSINT	V <sub>RL_B</sub>	VRL_B	VRL_B	A15	A18	A18
—	REFBYPCB	P	REFBYPCB	ADC B Reference bypass capacitor	I	AE	V <sub>DDA_B0</sub>	REFBYPCB	REFBYPCB	B12	B18	B18
—	REFBYPCA	P	REFBYPCA	ADC A Reference bypass capacitor	I	AE	V <sub>DDA_A1</sub>	REFBYPCA	REFBYPCA	B11	B11	B11
—	VDDA_A0	P	VDDA_A	Internal logic supply input	I	VDDE	V <sub>DDA_A0</sub>	VDDA_A0	VDDA_A0	A9	A9	A9
—	VDDA_A1	P	VDDA_A	Internal logic supply input	I	VDDE	V <sub>DDA_A1</sub>	VDDA_A1	VDDA_A1	B9	B9	B9
—	REFBYPCA1	P	REFBYPCA1	ADC A Reference bypass capacitor	I	AE	V <sub>DDA_A1</sub>	REFBYPCA1	REFBYPCA1	A12	A10	A10
—	VSSA_A1	P	VSSA_A	Ground	I	VSSE	V <sub>SSA_A1</sub>	VSSA_A1	VSSA_A1	B10	B10	B10
—	VDDA_B0	P	VDDA_B	Internal logic supply input	I	VDDE	V <sub>DDA_B0</sub>	VDDA_B0	VDDA_B0	A13	A16	A16
—	VDDA_B1	P	VDDA_B	Internal logic supply input	I	VDDE	V <sub>DDA_B1</sub>	VDDA_B1	VDDA_B1	B13	B16	B16

**Table 43. Signal Properties and Muxing Summary (continued)**

GPIO/PCR <sup>1</sup>	Signal Name <sup>2</sup>	P/A/G <sup>3</sup>	Function <sup>4</sup>	Function Summary	Direction	Pad Type <sup>5</sup>	Voltage <sup>6</sup>	State during RESET <sup>7</sup>	State after RESET <sup>8</sup>	Package Location		
										324	416	516
—	VSSA_B0	P	VSSA_B	Ground	I	VSSE	V <sub>SSA_B0</sub>	VSSA_B0	VSSA_B0	B14	B17	B17
—	REFBYPCB1	P	REFBYPCB1	ADC B Reference bypass capacitor	I	AE	V <sub>DDA_B0</sub>	REFBYPCB1	REFBYPCB1	A14	A17	A17
<b>FlexRay</b>												
248	FR_A_TX_ GPIO248	P	FR_A_TX	FlexRay A transfer	O	FS	V <sub>DDE2</sub>	—/Up (—/— for Rev.1 of the device)	—/Up (—/— for Rev.1 of the device)	Y5	AD4	AD4
		A1	—	—	—							
		A2	—	—	—							
		G	GPIO248	GPIO	I/O							
249	FR_A_RX_ GPIO249	P	FR_A_RX	FlexRay A receive	I	FS	V <sub>DDE2</sub>	—/Up (—/— for Rev.1 of the device)	—/Up (—/— for Rev.1 of the device)	AA4	AE3	AE3
		A1	—	—	—							
		A2	—	—	—							
		G	GPIO249	GPIO	I/O							
250	FR_A_TX_EN_ GPIO250	P	FR_A_TX_EN	FlexRay A transfer enable	O	FS	V <sub>DDE2</sub>	—/Up (—/— for Rev.1 of the device)	—/Up (—/— for Rev.1 of the device)	AB3	AF3	AF3
		A1	—	—	—							
		A2	—	—	—							
		G	GPIO250	GPIO	I/O							
251	FR_B_TX_ GPIO251	P	FR_B_TX	FlexRay B transfer	O	FS	V <sub>DDE2</sub>	—/Up (—/— for Rev.1 of the device)	—/Up (—/— for Rev.1 of the device)	Y6	AD5	AD5
		A1	—	—	—							
		A2	—	—	—							
		G	GPIO251	GPIO	I/O							
252	FR_B_RX_ GPIO252	P	FR_B_RX	FlexRay B receive	I	FS	V <sub>DDE2</sub>	—/Up (—/— for Rev.1 of the device)	—/Up (—/— for Rev.1 of the device)	AA5	AE4	AE4
		A1	—	—	—							
		A2	—	—	—							
		G	GPIO252	GPIO	I/O							

Table 43. Signal Properties and Muxing Summary (continued)

GPIO/PCR <sup>1</sup>	Signal Name <sup>2</sup>	P/A/G <sup>3</sup>	Function <sup>4</sup>	Function Summary	Direction	Pad Type <sup>5</sup>	Voltage <sup>6</sup>	State during RESET <sup>7</sup>	State after RESET <sup>8</sup>	Package Location		
										324	416	516
253	FR_B_TX_EN_ GPIO253	P	FR_B_TX_EN	FlexRay B transfer enable	O	FS	V <sub>DDE2</sub>	—/Up (—/— for Rev.1 of the device)	—/Up (—/— for Rev.1 of the device)	AB5	AF4	AF4
		A1	—	—	—							
		A2	—	—	—							
		G	GPIO253	GPIO	I/O							
<b>FlexCAN</b>												
83	CNTXA_TXDA_ GPIO83	P	CNTXA	FlexCAN A transmit	O	MH	V <sub>DDEH4</sub>	—/Up	—/Up	AB17	AF19	AE19
		A1	TXDA	eSCI A transmit	O							
		A2	—	—	—							
		G	GPIO83	GPIO	I/O							
84	CNRXA_RXDA_ GPIO84	P	CNRXA	FlexCAN A receive	I	MH	V <sub>DDEH4</sub>	—/Up	—/Up	AA18	AE19	AD19
		A1	RXDA	eSCI A receive	I							
		A2	—	—	—							
		G	GPIO84	GPIO	I/O							
85	CNTXB_PCSC3_ GPIO85	P	CNTXB	FlexCAN B transmit	O	MH	V <sub>DDEH4</sub>	—/Up	—/Up	Y18	AD19	AC19
		A1	PCSC3	DSPI C peripheral chip select	O							
		A2	—	—	—							
		G	GPIO85	GPIO	I/O							
86	CNRXB_PCSC4_ GPIO86	P	CNRXB	FlexCAN B receive	I	MH	V <sub>DDEH4</sub>	—/Up	—/Up	W18	AC19	AA19
		A1	PCSC4	DSPI C peripheral chip select	O							
		A2	—	—	—							
		G	GPIO86	GPIO	I/O							
87	CNTXC_PCSD3_ GPIO87	P	CNTXC	FlexCAN C transmit	O	MH	V <sub>DDEH4</sub>	—/Up	—/Up	W16	AF20	AF20
		A1	PCSD3	DSPI D peripheral chip select	O							
		A2	—	—	—							
		G	GPIO87	GPIO	I/O							

Table 43. Signal Properties and Muxing Summary (continued)

GPIO/PCR <sup>1</sup>	Signal Name <sup>2</sup>	P/A/G <sup>3</sup>	Function <sup>4</sup>	Function Summary	Direction	Pad Type <sup>5</sup>	Voltage <sup>6</sup>	State during RESET <sup>7</sup>	State after RESET <sup>8</sup>	Package Location		
										324	416	516
88	CNRXC_PCSD4_ GPIO88	P	CNRXC	FlexCAN C receive	I	MH	V <sub>DDEH4</sub>	—/Up	—/Up	W17	AE20	AE20
		A1	PCSD4	DSPI D peripheral chip select	O							
		A2	—	—	—							
		G	GPIO88	GPIO	I/O							
246	CNTXD_ GPIO246	P	CNTXD	FlexCAN D transmit	O	MH	V <sub>DDEH4</sub>	—/Up	—/Up	AB21	AD20	AD20
		A1	—	—	—							
		A2	—	—	—							
		G	GPIO246	GPIO	I/O							
247	CNRXD_ GPIO247	P	CNRXD	FlexCAN D receive	I	MH	V <sub>DDEH4</sub>	—/Up	—/Up	Y19	AC20	AC20
		A1	—	—	—							
		A2	—	—	—							
		G	GPIO247	GPIO	I/O							
<b>eSCI</b>												
89	TXDA_ GPIO89	P	TXDA	eSCI A transmit	O	MH	V <sub>DDEH1</sub>	—/Up	—/Up	—	M2	K2
		A1	—	—	—							
		A2	—	—	—							
		G	GPIO89	GPIO	I/O							
90	RXDA_ GPIO90	P	RXDA	eSCI A receive	I	MH	V <sub>DDEH1</sub>	—/Up	—/Up	—	M3	K3
		A1	—	—	—							
		A2	—	—	—							
		G	GPIO90	GPIO	I							
91	TXDB_PCSD1_ GPIO91	P	TXDB	eSCI B transmit	O	MH	V <sub>DDEH1</sub>	—/Up	—/Up	—	P1	K1
		A1	PCSD1	DSPI D peripheral chip select	O							
		A2	—	—	—							
		G	GPIO91	GPIO	I/O							

Table 43. Signal Properties and Muxing Summary (continued)

GPIO/PCR <sup>1</sup>	Signal Name <sup>2</sup>	P/A/G <sup>3</sup>	Function <sup>4</sup>	Function Summary	Direction	Pad Type <sup>5</sup>	Voltage <sup>6</sup>	State during RESET <sup>7</sup>	State after RESET <sup>8</sup>	Package Location		
										324	416	516
92	RXDB_PCSD5_ GPIO92	P	RXDB	eSCI B receive	I	MH	V <sub>DDEH1</sub>	—/Up	—/Up	—	N1	L5
		A1	PCSD5	DSPI D peripheral chip select	O							
		A2	—	—	—							
		G	GPIO92	GPIO	I/O							
244	TXDC_ETRIG0_ GPIO244	P	TXDC	eSCI C transmit	O	MH	V <sub>DDEH4</sub>	—/Up	—/Up	—	AF23	AF23
		A1	ETRIG0	eQADC trigger input	I							
		A2	—	—	—							
		G	GPIO244	GPIO	I/O							
245	RXDC_ GPIO245	P	RXDC	eSCI C receive	I	MH	V <sub>DDEH5</sub>	—/Up	—/Up	—	AD22	AD22
		A1	—	—	—							
		A2	—	—	—							
		G	GPIO245	GPIO	I/O							
<b>DSPI</b>												
93	SCKA_PCSC1_ GPIO93	P	SCKA	DSPI A clock	I/O	MH	V <sub>DDEH3</sub>	—/Up	—/Up	Y7	AD8	AB8
		A1	PCSC1	DSPI C peripheral chip select	O							
		A2	—	—	—							
		G	GPIO93	GPIO	I/O							
94	SINA_PCSC2_ GPIO94	P	SINA	DSPI A data input	I	MH	V <sub>DDEH3</sub>	—/Up	—/Up	AA7	AF7	AE7
		A1	PCSC2	DSPI C peripheral chip select	O							
		A2	—	—	—							
		G	GPIO94	GPIO	I/O							
95	SOUTA_PCSC5_ GPIO95	P	SOUTA	DSPI A data output	O	MH	V <sub>DDEH3</sub>	—/Up	—/Up	AB7	AD7	AC7
		A1	PCSC5	DSPI C peripheral chip select	O							
		A2	—	—	—							
		G	GPIO95	GPIO	I/O							

**Table 43. Signal Properties and Muxing Summary (continued)**

GPIO/PCR <sup>1</sup>	Signal Name <sup>2</sup>	P/A/G <sup>3</sup>	Function <sup>4</sup>	Function Summary	Direction	Pad Type <sup>5</sup>	Voltage <sup>6</sup>	State during RESET <sup>7</sup>	State after RESET <sup>8</sup>	Package Location		
										324	416	516
96	PCSA0_PCSD2_ GPIO96	P	PCSA0	DSPI A peripheral chip select	I/O	MH	V <sub>DDEH3</sub>	—/Up	—/Up	AB6	AE6	AD6
		A1	PCSD2	DSPI D peripheral chip select	O							
		A2	—	—	—							
		G	GPIO96	GPIO	I/O							
97	PCSA1_ GPIO97	P	PCSA1	DSPI A peripheral chip select	O	MH	V <sub>DDEH3</sub>	—/Up	—/Up	—	AC6	AC6
		A1	—	—	—							
		A2	—	—	—							
		G	GPIO97	GPIO	I/O							
98	PCSA2_ GPIO98	P	PCSA2	DSPI A peripheral chip select	O	MH	V <sub>DDEH3</sub>	—/Up	—/Up	—	AC7	AF6
		A1	—	—	—							
		A2	—	—	—							
		G	GPIO98	GPIO	I/O							
99	PCSA3_ GPIO99	P	PCSA3	DSPI A peripheral chip select	O	MH	V <sub>DDEH3</sub>	—/Up	—/Up	—	AE7	AD7
		A1	—	—	—							
		A2	—	—	—							
		G	GPIO99	GPIO	I/O							
100	PCSA4_ GPIO100	P	PCSA4	DSPI A peripheral chip select	O	MH	V <sub>DDEH3</sub>	—/Up	—/Up	—	AE5	AE5
		A1	—	—	—							
		A2	—	—	—							
		G	GPIO100	GPIO	I/O							
101	PCSA5_ETRIG1_ GPIO101	P	PCSA5	DSPI A peripheral chip select	O	MH	V <sub>DDEH3</sub>	—/Up	—/Up	AA6	AD6	AA8
		A1	ETRIG1	eQADC trigger input	I							
		A2	—	—	—							
		G	GPIO101	GPIO	I/O							

Table 43. Signal Properties and Muxing Summary (continued)

GPIO/PCR <sup>1</sup>	Signal Name <sup>2</sup>	P/A/G <sup>3</sup>	Function <sup>4</sup>	Function Summary	Direction	Pad Type <sup>5</sup>	Voltage <sup>6</sup>	State during RESET <sup>7</sup>	State after RESET <sup>8</sup>	Package Location		
										324	416	516
102	SCKB_ GPIO102	P	SCKB	DSPI B clock	I/O	MH	V <sub>DDEH3</sub>	—/Up	—/Up	Y8	AE8	AC8
		A1	—	—	—							
		A2	—	—	—							
		G	GPIO102	GPIO	I/O							
103	SINB_ GPIO103	P	SINB	DSPI B data input	I	MH	V <sub>DDEH3</sub>	—/Up	—/Up	AA8	AE9	AB9
		A1	—	—	—							
		A2	—	—	—							
		G	GPIO103	GPIO	I/O							
104	SOUTB_ GPIO104	P	SOUTB	DSPI B data output	O	MH	V <sub>DDEH3</sub>	—/Up	—/Up	AB8	AF9	AA10
		A1	—	—	—							
		A2	—	—	—							
		G	GPIO104	GPIO	I/O							
105	PCSB0_PCSD2_ GPIO105	P	PCSB0	DSPI B peripheral chip select	I/O	MH	V <sub>DDEH3</sub>	—/Up	—/Up	Y9	AD9	AF8
		A1	PCSD2	DSPI D peripheral chip select	O							
		A2	—	—	—							
		G	GPIO105	GPIO	I/O							
106	PCSB1_PCSD0_ GPIO106	P	PCSB1	DSPI B peripheral chip select	O	MH	V <sub>DDEH3</sub>	—/Up	—/Up	—	AC9	AE8
		A1	PCSD0	DSPI D peripheral chip select	I/O							
		A2	—	—	—							
		G	GPIO106	GPIO	I/O							
107	PCSB2_SOUTC_ GPIO107	P	PCSB2	DSPI B peripheral chip select	O	MH	V <sub>DDEH3</sub>	—/Up	—/Up	W7	AF8	AD8
		A1	SOUTC	DSPI C data output	O							
		A2	—	—	—							
		G	GPIO107	GPIO	I/O							



Table 43. Signal Properties and Muxing Summary (continued)

GPIO/PCR <sup>1</sup>	Signal Name <sup>2</sup>	P/A/G <sup>3</sup>	Function <sup>4</sup>	Function Summary	Direction	Pad Type <sup>5</sup>	Voltage <sup>6</sup>	State during RESET <sup>7</sup>	State after RESET <sup>8</sup>	Package Location		
										324	416	516
108	PCSB3_SINC_ GPIO108	P	PCSB3	DSPI B peripheral chip select	O	MH	V <sub>DDEH3</sub>	—/Up	—/Up	—	AD10	AC9
		A1	SINC	DSPI C data input	I							
		A2	—	—	—							
		G	GPIO108	GPIO	I/O							
109	PCSB4_SCKC_ GPIO109	P	PCSB4	DSPI B peripheral chip select	O	MH	V <sub>DDEH3</sub>	—/Up	—/Up	—	AC8	AF7
		A1	SCKC	DSPI C clock	I/O							
		A2	—	—	—							
		G	GPIO109	GPIO	I/O							
110	PCSB5_PCSC0_ GPIO110	P	PCSB5	DSPI B peripheral chip select	O	MH	V <sub>DDEH3</sub>	—/Up	—/Up	—	AF6	AE6
		A1	PCSC0	DSPI C peripheral chip select	I/O							
		A2	—	—	—							
		G	GPIO110	GPIO	I/O							
235	SCKC_SCK_C_LVDSP_ GPIO235	P	SCKC	DSPI C clock	I/O	MH+ LVDS	V <sub>DDEH4</sub>	—/Up	—/Up	AA19	AD21	AD21
		A1	SCK_C_LVDSP	LVDS+ downstream signal positive output clock	O							
		A2	—	—	—							
		G	GPIO235	GPIO	I/O							
236	SINC_SCK_C_LVDSM_ GPIO236	P	SINC	DSPI C data input	I	MH+ LVDS	V <sub>DDEH4</sub>	—/Up	—/Up	AA20	AE22	AE22
		A1	SCK_C_LVDSM	LVDS– downstream signal negative output clock	O							
		A2	—	—	—							
		G	GPIO236	GPIO	I/O							
237	SOUTC_SOUT_C_LVDSP_ GPIO237	P	SOUTC	DSPI C data output	O	MH+ LVDS	V <sub>DDEH4</sub>	—/Up	—/Up	AB18	AF21	AF21
		A1	SOUT_C_LVDSP	LVDS+ downstream signal positive output data	O							
		A2	—	—	—							
		G	GPIO237	GPIO	I/O							

Table 43. Signal Properties and Muxing Summary (continued)

GPIO/PCR <sup>1</sup>	Signal Name <sup>2</sup>	P/A/G <sup>3</sup>	Function <sup>4</sup>	Function Summary	Direction	Pad Type <sup>5</sup>	Voltage <sup>6</sup>	State during RESET <sup>7</sup>	State after RESET <sup>8</sup>	Package Location		
										324	416	516
238	PCSC0_SOUT_C_LVDSM_GPIO238	P	PCSC0	DSPI C peripheral chip select	I/O	MH+LVDS	V <sub>DDEH4</sub>	—/Up	—/Up	AB19	AE21	AE21
		A1	SOUT_C_LVDSM	LVDS— downstream signal negative output data	O							
		A2	—	—	—							
		G	GPIO238	GPIO	I/O							
239	PCSC1_GPIO239	P	PCSC1	DSPI C peripheral chip select	O	MH	V <sub>DDEH4</sub>	—/Up	—/Up	—	AC22	AC22
		A1	—	—	—							
		A2	—	—	—							
		G	GPIO239	GPIO	I/O							
240	PCSC2_GPIO240	P	PCSC2	DSPI C peripheral chip select	O	MH	V <sub>DDEH5</sub>	—/Up	—/Up	—	AE23	AE23
		A1	—	—	—							
		A2	—	—	—							
		G	GPIO240	GPIO	I/O							
241	PCSC3_GPIO241	P	PCSC3	DSPI C peripheral chip select	O	MH	V <sub>DDEH5</sub>	—/Up	—/Up	—	AD23	AD23
		A1	—	—	—							
		A2	—	—	—							
		G	GPIO241	GPIO	I/O							
242	PCSC4_GPIO242	P	PCSC4	DSPI C peripheral chip select	O	MH	V <sub>DDEH5</sub>	—/Up	—/Up	—	AF24	AF24
		A1	—	—	—							
		A2	—	—	—							
		G	GPIO242	GPIO	I/O							
243	PCSC5_GPIO243	P	PCSC5	DSPI C peripheral chip select	O	MH	V <sub>DDEH5</sub>	—/Up	—/Up	—	AE24	AE24
		A1	—	—	—							
		A2	—	—	—							
		G	GPIO243	GPIO	I/O							

**Table 43. Signal Properties and Muxing Summary (continued)**

GPIO/PCR <sup>1</sup>	Signal Name <sup>2</sup>	P/A/G <sup>3</sup>	Function <sup>4</sup>	Function Summary	Direction	Pad Type <sup>5</sup>	Voltage <sup>6</sup>	State during RESET <sup>7</sup>	State after RESET <sup>8</sup>	Package Location		
										324	416	516
<b>EBI</b>												
256	D_CS0_ GPIO256	P	D_CS0	EBI chip select 0	O	F	V <sub>DDE9</sub>	—/Up	—/Up	—	—	AD9
		A1	—	—	—							
		A2	—	—	—	—						
		G	GPIO256	GPIO	I/O							
257	D_CS2_D_ADD_DAT31_ GPIO257	P	D_CS2	EBI chip select 2	O	F	V <sub>DDE8</sub>	—/Up	—/Up	—	—	U1
		A1	D_ADD_DAT31	EBI data only in non-mux mode. Address and data in mux mode.	I/O							
		A2	—	—	—							
		G	GPIO257	GPIO	I/O							
258	D_CS3_D_TEA_ GPIO258	P	D_CS3	EBI chip select 3	O	F	V <sub>DDE8</sub>	—/Up	—/Up	—	—	T6
		A1	D_TEA	EBI transfer error acknowledge	I							
		A2	—	—	—							
		G	GPIO258	GPIO	I/O							
259	D_ADD12_ GPIO259	P	D_ADD12	EBI address bus	I/O	F	V <sub>DDE8</sub>	—/Up	—/Up	—	—	R1
		A1	—	—	—							
		A2	—	—	—							
		G	GPIO259	GPIO	I/O							
260	D_ADD13_ GPIO260	P	D_ADD13	EBI address bus	I/O	F	V <sub>DDE8</sub>	—/Up	—/Up	—	—	R2
		A1	—	—	—							
		A2	—	—	—							
		G	GPIO260	GPIO	I/O							
261	D_ADD14_ GPIO261	P	D_ADD14	EBI address bus	I/O	F	V <sub>DDE8</sub>	—/Up	—/Up	—	—	R3
		A1	—	—	—							
		A2	—	—	—							
		G	GPIO261	GPIO	I/O							

Table 43. Signal Properties and Muxing Summary (continued)

GPIO/PCR <sup>1</sup>	Signal Name <sup>2</sup>	P/A/G <sup>3</sup>	Function <sup>4</sup>	Function Summary	Direction	Pad Type <sup>5</sup>	Voltage <sup>6</sup>	State during RESET <sup>7</sup>	State after RESET <sup>8</sup>	Package Location		
										324	416	516
262	D_ADD15_ GPIO262	P	D_ADD15	EBI address bus	I/O	F	V <sub>DDE8</sub>	—/Up	—/Up	—	—	R4
		A1	—	—	—							
		A2	—	—	—							
		G	GPIO262	GPIO	I/O							
263	D_ADD16_D_ADD_DAT16_ GPIO263	P	D_ADD16	EBI address bus	I/O	F	V <sub>DDE8</sub>	—/Up	—/Up	—	—	R5
		A1	D_ADD_DAT16	EBI data only in non-mux mode. Address and data in mux mode.	I/O							
		A2	—	—	—							
		G	GPIO263	GPIO	I/O							
264	D_ADD17_D_ADD_DAT17_ GPIO264	P	D_ADD17	EBI address bus	I/O	F	V <sub>DDE8</sub>	—/Up	—/Up	—	—	T5
		A1	D_ADD_DAT17	EBI data only in non-mux mode. Address and data in mux mode.	I/O							
		A2	—	—	—							
		G	GPIO264	GPIO	I/O							
265	D_ADD18_D_ADD_DAT18_ GPIO265	P	D_ADD18	EBI address bus	I/O	F	V <sub>DDE8</sub>	—/Up	—/Up	—	—	T2
		A1	D_ADD_DAT18	EBI data only in non-mux mode. Address and data in mux mode.	I/O							
		A2	—	—	—							
		G	GPIO265	GPIO	I/O							
266	D_ADD19_D_ADD_DAT19_ GPIO266	P	D_ADD19	EBI address bus	I/O	F	V <sub>DDE8</sub>	—/Up	—/Up	—	—	T3
		A1	D_ADD_DAT19	EBI data only in non-mux mode. Address and data in mux mode.	I/O							
		A2	—	—	—							
		G	GPIO266	GPIO	I/O							
267	D_ADD20_D_ADD_DAT20_ GPIO267	P	D_ADD20	EBI address bus	I/O	F	V <sub>DDE8</sub>	—/Up	—/Up	—	—	T4
		A1	D_ADD_DAT20	EBI data only in non-mux mode. Address and data in mux mode.	I/O							
		A2	—	—	—							
		G	GPIO267	GPIO	I/O							

**Table 43. Signal Properties and Muxing Summary (continued)**

GPIO/PCR <sup>1</sup>	Signal Name <sup>2</sup>	P/A/G <sup>3</sup>	Function <sup>4</sup>	Function Summary	Direction	Pad Type <sup>5</sup>	Voltage <sup>6</sup>	State during RESET <sup>7</sup>	State after RESET <sup>8</sup>	Package Location		
										324	416	516
268	D_ADD21_D_ADD_DAT21_ GPIO268	P	D_ADD21	EBI address bus	I/O	F	V <sub>DDE9</sub>	—/Up	—/Up	—	—	AB11
		A1	D_ADD_DAT21	EBI data only in non-mux mode. Address and data in mux mode.	I/O							
		A2	—	—	—							
		G	GPIO268	GPIO	I/O							
269	D_ADD22_D_ADD_DAT22_ GPIO269	P	D_ADD22	EBI address bus	I/O	F	V <sub>DDE9</sub>	—/Up	—/Up	—	—	AD10
		A1	D_ADD_DAT22	EBI data only in non-mux mode. Address and data in mux mode.	I/O							
		A2	—	—	—							
		G	GPIO269	GPIO	I/O							
270	D_ADD23_D_ADD_DAT23_ GPIO270	P	D_ADD23	EBI address bus	I/O	F	V <sub>DDE9</sub>	—/Up	—/Up	—	—	AE10
		A1	D_ADD_DAT23	EBI data only in non-mux mode. Address and data in mux mode.	I/O							
		A2	—	—	—							
		G	GPIO270	GPIO	I/O							
271	D_ADD24_D_ADD_DAT24_ GPIO271	P	D_ADD24	EBI address bus	I/O	F	V <sub>DDE9</sub>	—/Up	—/Up	—	—	AF10
		A1	D_ADD_DAT24	EBI data only in non-mux mode. Address and data in mux mode.	I/O							
		A2	—	—	—							
		G	GPIO271	GPIO	I/O							
272	D_ADD25_D_ADD_DAT25_ GPIO272	P	D_ADD25	EBI address bus	I/O	F	V <sub>DDE9</sub>	—/Up	—/Up	—	—	AD11
		A1	D_ADD_DAT25	EBI data only in non-mux mode. Address and data in mux mode.	I/O							
		A2	—	—	—							
		G	GPIO272	GPIO	I/O							

Table 43. Signal Properties and Muxing Summary (continued)

GPIO/PCR <sup>1</sup>	Signal Name <sup>2</sup>	P/A/G <sup>3</sup>	Function <sup>4</sup>	Function Summary	Direction	Pad Type <sup>5</sup>	Voltage <sup>6</sup>	State during RESET <sup>7</sup>	State after RESET <sup>8</sup>	Package Location		
										324	416	516
273	D_ADD26_D_ADD_DAT26_ GPIO273	P	D_ADD26	EBI address bus	I/O	F	V <sub>DDE9</sub>	—/Up	—/Up	—	—	AE11
		A1	D_ADD_DAT26	EBI data only in non-mux mode. Address and data in mux mode.	I/O							
		A2	—	—	—							
		G	GPIO273	GPIO	I/O							
274	D_ADD27_D_ADD_DAT27_ GPIO274	P	D_ADD27	EBI address bus	I/O	F	V <sub>DDE9</sub>	—/Up	—/Up	—	—	AF11
		A1	D_ADD_DAT27	EBI data only in non-mux mode. Address and data in mux mode.	I/O							
		A2	—	—	—							
		G	GPIO274	GPIO	I/O							
275	D_ADD28_D_ADD_DAT28_ GPIO275	P	D_ADD28	EBI address bus	I/O	F	V <sub>DDE9</sub>	—/Up	—/Up	—	—	AD12
		A1	D_ADD_DAT28	EBI data only in non-mux mode. Address and data in mux mode.	I/O							
		A2	—	—	—							
		G	GPIO275	GPIO	I/O							
276	D_ADD29_D_ADD_DAT29_ GPIO276	P	D_ADD29	EBI address bus	I/O	F	V <sub>DDE9</sub>	—/Up	—/Up	—	—	AB12
		A1	D_ADD_DAT29	EBI data only in non-mux mode. Address and data in mux mode.	I/O							
		A2	—	—	—							
		G	GPIO276	GPIO	I/O							
277	D_ADD30_D_ADD_DAT30_ GPIO277	P	D_ADD30	EBI address bus	I/O	F	V <sub>DDE9</sub>	—/Up	—/Up	—	—	AE12
		A1	D_ADD_DAT30	EBI data only in non-mux mode. Address and data in mux mode.	I/O							
		A2	—	—	—							
		G	GPIO277	GPIO	I/O							

**Table 43. Signal Properties and Muxing Summary (continued)**

GPIO/PCR <sup>1</sup>	Signal Name <sup>2</sup>	P/A/G <sup>3</sup>	Function <sup>4</sup>	Function Summary	Direction	Pad Type <sup>5</sup>	Voltage <sup>6</sup>	State during RESET <sup>7</sup>	State after RESET <sup>8</sup>	Package Location		
										324	416	516
278	D_ADD_DAT0_ GPIO278	P	D_ADD_DAT0	EBI data only in non-mux mode. Address and data in mux mode.	I/O	F	V <sub>DDE10</sub>	—/Up	—/Up	—	—	P25
		A1	—	—	—							
		A2	—	—	—							
		G	GPIO278	GPIO	I/O							
279	D_ADD_DAT1_ GPIO279	P	D_ADD_DAT1	EBI data only in non-mux mode. Address and data in mux mode.	I/O	F	V <sub>DDE10</sub>	—/Up	—/Up	—	—	P26
		A1	—	—	—							
		A2	—	—	—							
		G	GPIO279	GPIO	I/O							
280	D_ADD_DAT2_ GPIO280	P	D_ADD_DAT2	EBI data only in non-mux mode. Address and data in mux mode.	I/O	F	V <sub>DDE10</sub>	—/Up	—/Up	—	—	N24
		A1	—	—	—							
		A2	—	—	—							
		G	GPIO280	GPIO	I/O							
281	D_ADD_DAT3_ GPIO281	P	D_ADD_DAT3	EBI data only in non-mux mode. Address and data in mux mode.	I/O	F	V <sub>DDE10</sub>	—/Up	—/Up	—	—	N25
		A1	—	—	—							
		A2	—	—	—							
		G	GPIO281	GPIO	I/O							
282	D_ADD_DAT4_ GPIO282	P	D_ADD_DAT4	EBI data only in non-mux mode. Address and data in mux mode.	I/O	F	V <sub>DDE10</sub>	—/Up	—/Up	—	—	N26
		A1	—	—	—							
		A2	—	—	—							
		G	GPIO282	GPIO	I/O							

Table 43. Signal Properties and Muxing Summary (continued)

GPIO/PCR <sup>1</sup>	Signal Name <sup>2</sup>	P/A/G <sup>3</sup>	Function <sup>4</sup>	Function Summary	Direction	Pad Type <sup>5</sup>	Voltage <sup>6</sup>	State during RESET <sup>7</sup>	State after RESET <sup>8</sup>	Package Location		
										324	416	516
283	D_ADD_DAT5_ GPIO283	P	D_ADD_DAT5	EBI data only in non-mux mode. Address and data in mux mode.	I/O	F	V <sub>DDE10</sub>	—/Up	—/Up	—	—	M25
		A1	—	—	—							
		A2	—	—	—							
		G	GPIO283	GPIO	I/O							
284	D_ADD_DAT6_ GPIO284	P	D_ADD_DAT6	EBI data only in non-mux mode. Address and data in mux mode.	I/O	F	V <sub>DDE10</sub>	—/Up	—/Up	—	—	N22
		A1	—	—	—							
		A2	—	—	—							
		G	GPIO284	GPIO	I/O							
285	D_ADD_DAT7_ GPIO285	P	D_ADD_DAT7	EBI data only in non-mux mode. Address and data in mux mode.	I/O	F	V <sub>DDE10</sub>	—/Up	—/Up	—	—	M24
		A1	—	—	—							
		A2	—	—	—							
		G	GPIO285	GPIO	I/O							
286	D_ADD_DAT8_ GPIO286	P	D_ADD_DAT8	EBI data only in non-mux mode. Address and data in mux mode.	I/O	F	V <sub>DDE10</sub>	—/Up	—/Up	—	—	M23
		A1	—	—	—							
		A2	—	—	—							
		G	GPIO286	GPIO	I/O							
287	D_ADD_DAT9_ GPIO287	P	D_ADD_DAT9	EBI data only in non-mux mode. Address and data in mux mode.	I/O	F	V <sub>DDE10</sub>	—/Up	—/Up	—	—	M22
		A1	—	—	—							
		A2	—	—	—							
		G	GPIO287	GPIO	I/O							



Table 43. Signal Properties and Muxing Summary (continued)

GPIO/PCR <sup>1</sup>	Signal Name <sup>2</sup>	P/A/G <sup>3</sup>	Function <sup>4</sup>	Function Summary	Direction	Pad Type <sup>5</sup>	Voltage <sup>6</sup>	State during RESET <sup>7</sup>	State after RESET <sup>8</sup>	Package Location		
										324	416	516
288	D_ADD_DAT10_ GPIO288	P	D_ADD_DAT10	EBI data only in non-mux mode. Address and data in mux mode.	I/O	F	V <sub>DDE10</sub>	—/Up	—/Up	—	—	L26
		A1	—	—	—							
		A2	—	—	—							
		G	GPIO288	GPIO	I/O							
289	D_ADD_DAT11_ GPIO289	P	D_ADD_DAT11	EBI data only in non-mux mode. Address and data in mux mode.	I/O	F	V <sub>DDE10</sub>	—/Up	—/Up	—	—	L25
		A1	—	—	—							
		A2	—	—	—							
		G	GPIO289	GPIO	I/O							
290	D_ADD_DAT12_ GPIO290	P	D_ADD_DAT12	EBI data only in non-mux mode. Address and data in mux mode.	I/O	F	V <sub>DDE10</sub>	—/Up	—/Up	—	—	L24
		A1	—	—	—							
		A2	—	—	—							
		G	GPIO290	GPIO	I/O							
291	D_ADD_DAT13_ GPIO291	P	D_ADD_DAT13	EBI data only in non-mux mode. Address and data in mux mode.	I/O	F	V <sub>DDE10</sub>	—/Up	—/Up	—	—	L23
		A1	—	—	—							
		A2	—	—	—							
		G	GPIO291	GPIO	I/O							
292	D_ADD_DAT14_GPIO292	P	D_ADD_DAT14	EBI data only in non-mux mode. Address and data in mux mode.	I/O	F	V <sub>DDE10</sub>	—/Up	—/Up	—	—	L22
		A1	—	—	—							
		A2	—	—	—							
		G	GPIO292	GPIO	I/O							

Table 43. Signal Properties and Muxing Summary (continued)

GPIO/PCR <sup>1</sup>	Signal Name <sup>2</sup>	P/A/G <sup>3</sup>	Function <sup>4</sup>	Function Summary	Direction	Pad Type <sup>5</sup>	Voltage <sup>6</sup>	State during RESET <sup>7</sup>	State after RESET <sup>8</sup>	Package Location		
										324	416	516
293	D_ADD_DAT15_GPIO293	P	D_ADD_DAT15	EBI data only in non-mux mode. Address and data in mux mode.	I/O	F	V <sub>DDE10</sub>	—/Up	—/Up	—	—	K26
		A1	—	—	—							
		A2	—	—	—							
		G	GPIO293	GPIO	I/O							
294	D_RD_WR_GPIO294	P	D_RD_WR	EBI read/write	O	F	V <sub>DDE10</sub>	—/Up	—/Up	—	—	R26
		A1	—	—	—							
		A2	—	—	—							
		G	GPIO294	GPIO	I/O							
295	D_WE0_GPIO295	P	D_WE0	EBI write enable	O	F	V <sub>DDE8</sub>	—/Up	—/Up	—	—	N1
		A1	—	—	—							
		A2	—	—	—							
		G	GPIO295	GPIO	I/O							
296	D_WE1_GPIO296	P	D_WE1	EBI write enable	O	F	V <sub>DDE8</sub>	—/Up	—/Up	—	—	P5
		A1	—	—	—							
		A2	—	—	—							
		G	GPIO296	GPIO	I/O							
297	D_OE_GPIO297	P	D_OE	EBI output enable	O	F	V <sub>DDE10</sub>	—/Up	—/Up	—	—	P23
		A1	—	—	—							
		A2	—	—	—							
		G	GPIO297	GPIO	I/O							
298	D_TS_GPIO298	P	D_TS	EBI transfer start	O	F	V <sub>DDE9</sub>	—/Up	—/Up	—	—	AE9
		A1	—	—	—							
		A2	—	—	—							
		G	GPIO298	GPIO	I/O							

Table 43. Signal Properties and Muxing Summary (continued)

GPIO/PCR <sup>1</sup>	Signal Name <sup>2</sup>	P/A/G <sup>3</sup>	Function <sup>4</sup>	Function Summary	Direction	Pad Type <sup>5</sup>	Voltage <sup>6</sup>	State during RESET <sup>7</sup>	State after RESET <sup>8</sup>	Package Location		
										324	416	516
299	D_ALE_GPIO299	P	D_ALE	EBI Address Latch Enable	O	F	V <sub>DDE10</sub>	—/Up	—/Up	—	—	P24
		A1	—	—	—							
		A2	—	—	—							
		G	GPIO299	GPIO	I/O							
300	D_TA_GPIO300	P	D_TA	EBI transfer acknowledge	I/O	F	V <sub>DDE9</sub>	—/Up	—/Up	—	—	AF9
		A1	—	—	—							
		A2	—	—	—							
		G	GPIO300	GPIO	I/O							
301	D_CS1_GPIO301	P	D_CS1	EBI chip select	O	F	V <sub>DDE9</sub>	—/Up	—/Up	—	—	AB10
		A1	—	—	—							
		A2	—	—	—							
		G	GPIO301	GPIO	I/O							
302	D_BDIP_GPIO302	P	D_BDIP	EBI burst data in progress	O	F	V <sub>DDE8</sub>	—/Up	—/Up	—	—	M2
		A1	—	—	—							
		A2	—	—	—							
		G	GPIO302	GPIO	I/O							
303	D_WE2_GPIO303	P	D_WE2	EBI write enable	O	F	V <sub>DDE8</sub>	—/Up	—/Up	—	—	N2
		A1	—	—	—							
		A2	—	—	—							
		G	GPIO303	GPIO	I/O							
304	D_WE3_GPIO304	P	D_WE3	EBI write enable	O	F	V <sub>DDE8</sub>	—/Up	—/Up	—	—	N3
		A1	—	—	—							
		A2	—	—	—							
		G	GPIO304	GPIO	I/O							

Table 43. Signal Properties and Muxing Summary (continued)

GPIO/PCR <sup>1</sup>	Signal Name <sup>2</sup>	P/A/G <sup>3</sup>	Function <sup>4</sup>	Function Summary	Direction	Pad Type <sup>5</sup>	Voltage <sup>6</sup>	State during RESET <sup>7</sup>	State after RESET <sup>8</sup>	Package Location		
										324	416	516
305	D_ADD9_GPIO305	P	D_ADD9	EBI address bus	I/O	F	V <sub>DDE8</sub>	—/Up	—/Up	—	—	P1
		A1	—	—	—							
		A2	—	—	—							
		G	GPIO305	GPIO	I/O							
306	D_ADD10_GPIO306	P	D_ADD10	EBI address bus	I/O	F	V <sub>DDE8</sub>	—/Up	—/Up	—	—	P2
		A1	—	—	—							
		A2	—	—	—							
		G	GPIO306	GPIO	I/O							
307	D_ADD11_GPIO307	P	D_ADD11	EBI address bus	I/O	F	V <sub>DDE8</sub>	—/Up	—/Up	—	—	P3
		A1	—	—	—							
		A2	—	—	—							
		G	GPIO307	GPIO	I/O							
<b>Reset and Clocks</b>												
—	RESET	P	RESET	External reset input	I	MH	V <sub>DDEH1</sub>	RESET/Up	RESET/Up	M2	R2	N5
230	RSTOUT	P	RSTOUT	External reset output	O	MH	V <sub>DDEH1</sub>	RSTOUT/Low	RSTOUT/High	A3	A3	A3
211	BOOTCFG0_IRQ2_GPIO211	P	BOOTCFG0	Boot configuration	I	MH	V <sub>DDEH1</sub>	BOOTCFG/Down	BOOTCFG/Down	—	—	L4
		A1	IRQ2	—	I							
		A2	—	—	—							
		G	GPIO211	GPIO	I/O							
212	BOOTCFG1_IRQ3_GPIO212	P	BOOTCFG1	Boot configuration	I	MH	V <sub>DDEH1</sub>	BOOTCFG/Down	Input/Down	L1	N2	L3
		A1	IRQ3	External interrupt request	I							
		A2	—	—	—							
		G	GPIO212	GPIO	I/O							

**Table 43. Signal Properties and Muxing Summary (continued)**

GPIO/PCR <sup>1</sup>	Signal Name <sup>2</sup>	P/A/G <sup>3</sup>	Function <sup>4</sup>	Function Summary	Direction	Pad Type <sup>5</sup>	Voltage <sup>6</sup>	State during RESET <sup>7</sup>	State after RESET <sup>8</sup>	Package Location		
										324	416	516
213	WKPCFG_NMI_ GPIO213	P	WKPCFG	Weak pull configuration input	I	MH	V <sub>DDEH1</sub>	WKPCFG/Up	Input/Up	—	N3	M5
		A1	NMI	Critical interrupt to core <sup>11</sup>	I							
		A2	—	—	—							
		G	GPIO213	GPIO	I							
208	PLLCFG0_IRQ4_ GPIO208	P	PLLCFG0	FMPLL mode configuration input	I	MH	V <sub>DDEH1</sub>	PLLCFG/Up	Input/Up	M3	R3	M3
		A1	IRQ4	External interrupt request	I							
		A2	—	—	—							
		G	GPIO208	GPIO	I/O							
209	PLLCFG1_IRQ5_ GPIO209	P	PLLCFG1	FMPLL mode configuration input	I	MH	V <sub>DDEH1</sub>	PLLCFG/Up	Input/Up (for Rev2 of the device: —/Up)	L2	P2	L1
		A1	IRQ5	External interrupt request	I							
		A2	SOUTD	DSPI D data output	O							
		G	GPIO209	GPIO	I/O							
—	PLLCFG2	P	PLLCFG2	FMPLL mode configuration input	I	MH	V <sub>DDEH1</sub>	PLLCFG/ Down	PLLCFG/ Down	L3	P3	L2
—	XTAL	P	XTAL	Crystal oscillator output	O	AE	V <sub>DD33</sub>	XTAL	XTAL	W22	AC26	AC26
—	EXTAL	P	EXTAL	Crystal oscillator input	I	AE	V <sub>DD33</sub>	EXTAL	EXTAL	V22	AB26	AB26
229	D_CLKOUT	P	D_CLKOUT	EBI system clock output	O	F	V <sub>DDE9</sub>	CLKOUT/ Enabled	CLKOUT/ Enabled	—	—	AF12
214	ENGCLK	P	ENGCLK	EBI engineering clock output Note: EXTCLK (External clock input) selected through SIU register)	O	F	V <sub>DDE2</sub>	ENGCLK/ Enabled	ENGCLK/ Enabled	AA1	AD1	AD1
<b>JTAG and Nexus (see footnote<sup>12</sup> about resets)</b>												
—	$\overline{\text{EVTI}}$	_ <sup>13</sup>	EVTI	Nexus event in	I	F	V <sub>DDE2</sub>	—/Up	EVTI/Up	N4	T4	V1
227	$\overline{\text{EVTO}}$ (the BAM uses this pin to select if auto baud rate is on or off)	_ <sup>13</sup>	EVTO	Nexus event out	O	F	V <sub>DDE2</sub>	ABS/Up	EVTO/Hi	P1	U1	V2
219	MCKO	_ <sup>13</sup>	MCKO	Nexus message clock out	O	F	V <sub>DDE2</sub>	O/Low	Disabled <sup>14</sup>	N2	T2	U4

Table 43. Signal Properties and Muxing Summary (continued)

GPIO/PCR <sup>1</sup>	Signal Name <sup>2</sup>	P/A/G <sup>3</sup>	Function <sup>4</sup>	Function Summary	Direction	Pad Type <sup>5</sup>	Voltage <sup>6</sup>	State during RESET <sup>7</sup>	State after RESET <sup>8</sup>	Package Location		
										324	416	516
220	MDO0_GPIO220 (GPIO function on this pin is only available on Rev.2 of the device)	_13	MDO0 <sup>15</sup>	Nexus message data out	O	F	V <sub>DDE2</sub>	O/Low	MDO0/Low	P3	U3	V3
		A1	—	—	—							
		A2	—	—	—							
		G	GPIO220	GPIO	I/O							
221	MDO1_GPIO221 (GPIO function on this pin is only available on Rev.2 of the device)	_13	MDO1 <sup>15</sup>	Nexus message data out	O	F	V <sub>DDE2</sub>	O/Low	—/Down	P4	U4	W6
		A1	—	—	—							
		A2	—	—	—							
		G	GPIO221	GPIO	I/O							
222	MDO2_GPIO222 (GPIO function on this pin is only available on Rev.2 of the device)	_13	MDO2 <sup>15</sup>	Nexus message data out	O	F	V <sub>DDE2</sub>	O/Low	—/Down	R1	V1	V4
		A1	—	—	—							
		A2	—	—	—							
		G	GPIO222	GPIO	I/O							
223	MDO3_GPIO223 (GPIO function on this pin is only available on Rev.2 of the device)	_13	MDO3 <sup>15</sup>	Nexus message data out	O	F	V <sub>DDE2</sub>	O/Low	—/Down	R2	V2	V5
		A1	—	—	—							
		A2	—	—	—							
		G	GPIO223	GPIO	I/O							
75	MDO4_GPIO75 (GPIO function on this pin is only available on Rev.2 of the device)	_13	MDO4 <sup>15</sup>	Nexus message data out	O	F	V <sub>DDE2</sub>	O/Low	—/Down	R3	V3	W1
		A1	—	—	—							
		A2	—	—	—							
		G	GPIO75	GPIO	I/O							
76	MDO5_GPIO76 (GPIO function on this pin is only available on Rev.2 of the device)	_13	MDO5 <sup>15</sup>	Nexus message data out	O	F	V <sub>DDE2</sub>	O/Low	—/Down	R4	V4	W2
		A1	—	—	—							
		A2	—	—	—							
		G	GPIO76	GPIO	I/O							

**Table 43. Signal Properties and Muxing Summary (continued)**

GPIO/PCR <sup>1</sup>	Signal Name <sup>2</sup>	P/A/G <sup>3</sup>	Function <sup>4</sup>	Function Summary	Direction	Pad Type <sup>5</sup>	Voltage <sup>6</sup>	State during RESET <sup>7</sup>	State after RESET <sup>8</sup>	Package Location		
										324	416	516
77	MDO6_GPIO77 (GPIO function on this pin is only available on Rev.2 of the device)	_13	MDO6 <sup>15</sup>	Nexus message data out	O	F	V <sub>DDE2</sub>	O/Low	—/Down	T1	W1	W3
		A1	—	—	—							
		A2	—	—	—							
		G	GPIO77	GPIO	I/O							
78	MDO7_GPIO78 (GPIO function on this pin is only available on Rev.2 of the device)	_13	MDO7 <sup>15</sup>	Nexus message data out	O	F	V <sub>DDE2</sub>	O/Low	—/Down	T2	W2	Y1
		A1	—	—	—							
		A2	—	—	—							
		G	GPIO78	GPIO	I/O							
79	MDO8_GPIO79 (GPIO function on this pin is only available on Rev.2 of the device)	_13	MDO8 <sup>15</sup>	Nexus message data out	O	F	V <sub>DDE2</sub>	O/Low	—/Down	T3	W3	W5
		A1	—	—	—							
		A2	—	—	—							
		G	GPIO79	GPIO	I/O							
80	MDO9_GPIO80 (GPIO function on this pin is only available on Rev.2 of the device)	_13	MDO9 <sup>15</sup>	Nexus message data out	O	F	V <sub>DDE2</sub>	O/Low	—/Down	U1	Y1	Y2
		A1	—	—	—							
		A2	—	—	—							
		G	GPIO80	GPIO	I/O							
81	MDO10_GPIO81 (GPIO function on this pin is only available on Rev.2 of the device)	_13	MDO10 <sup>15</sup>	Nexus message data out	O	F	V <sub>DDE2</sub>	O/Low	—/Down	U2	Y2	Y3
		A1	—	—	—							
		A2	—	—	—							
		G	GPIO81	GPIO	I/O							
82	MDO11_GPIO82 (GPIO function on this pin is only available on Rev.2 of the device)	_13	MDO11 <sup>15</sup>	Nexus message data out	O	F	V <sub>DDE2</sub>	O/Low	—/Down	U3	Y3	Y4
		A1	—	—	—							
		A2	—	—	—							
		G	GPIO82	GPIO	I/O							

Table 43. Signal Properties and Muxing Summary (continued)

GPIO/PCR <sup>1</sup>	Signal Name <sup>2</sup>	P/A/G <sup>3</sup>	Function <sup>4</sup>	Function Summary	Direction	Pad Type <sup>5</sup>	Voltage <sup>6</sup>	State during RESET <sup>7</sup>	State after RESET <sup>8</sup>	Package Location		
										324	416	516
231	MDO12_GPIO231	_13	MDO12 <sup>15</sup>	Nexus message data out	O	F	V <sub>DDE2</sub>	O/Low	—/Down	V1	AA1	Y5
		A1	—	—	—							
		A2	—	—	—							
		G	GPIO231	GPIO	I/O							
232	MDO13_GPIO232	_13	MDO13 <sup>15</sup>	Nexus message data out	O	F	V <sub>DDE2</sub>	O/Low	—/Down	W2	AA2	AA1
		A1	—	—	—							
		A2	—	—	—							
		G	GPIO232	GPIO	I/O							
233	MDO14_GPIO233	_13	MDO14 <sup>15</sup>	Nexus message data out	O	F	V <sub>DDE2</sub>	O/Low	—/Down	V3	AA3	AA2
		A1	—	—	—							
		A2	—	—	—							
		G	GPIO233	GPIO	I/O							
234	MDO15_GPIO234	_13	MDO15 <sup>15</sup>	Nexus message data out	O	F	V <sub>DDE2</sub>	O/Low	—/Down	U4	Y4	AA3
		A1	—	—	—							
		A2	—	—	—							
		G	GPIO234	GPIO	I/O							
224	MSEO0	_13	MSEO0 <sup>15</sup>	Nexus message start/end out	O	F	V <sub>DDE2</sub>	O/Low	MSEO/HI	P2	U2	U6
225	MSEO1	_13	MSEO1 <sup>15</sup>	Nexus message start/end out	O	F	V <sub>DDE2</sub>	O/Low	MSEO/HI	N3	T3	U5
226	RDY	_13	RDY	Nexus ready output	O	F	V <sub>DDE2</sub>	O/Low	RDY/HI	M4	R4	U3
—	TCK	_13	TCK	JTAG test clock input	I	F	V <sub>DDE2</sub>	TCK/Down	TCK/Down	Y1	AB2	AB2
—	TDI	_13	TDI	JTAG test data input	I	F	V <sub>DDE2</sub>	TDI/Up	TDI/Up	Y2	AC2	AC2
228	TDO	_13	TDO	JTAG test data output	O	F	V <sub>DDE2</sub>	TDO/Up	TDO/Up	W1	AB1	AB1
—	TMS	_13	TMS	JTAG test mode select input	I	F	V <sub>DDE2</sub>	TMS/Up	TMS/Up	W3	AB3	AB3
—	JCOMP	_13	JCOMP	JTAG TAP controller enable	I	F	V <sub>DDE2</sub>	JCOMP/Down	JCOMP/Down	M1	R1	U2
—	TEST	—	TEST	Test mode select (not for customer use)	I	F	V <sub>DDEH1</sub>	TEST/Down	TEST/Down	B4	B4	B4
—	VDDSYN	—	VDDSYN	Clock synthesizer power input	I	VDDE	V <sub>DDEH1</sub>	VDDSYN	VDDSYN	Y22	AD26	AD26



**Table 43. Signal Properties and Muxing Summary (continued)**

GPIO/PCR <sup>1</sup>	Signal Name <sup>2</sup>	P/A/G <sup>3</sup>	Function <sup>4</sup>	Function Summary	Direction	Pad Type <sup>5</sup>	Voltage <sup>6</sup>	State during RESET <sup>7</sup>	State after RESET <sup>8</sup>	Package Location		
										324	416	516
—	VSSSYN	—	VSSSYN	Clock synthesizer ground input	I	VSSE	V <sub>DDSYN</sub>	VSSSYN	VSSSYN	U22	AA26	AA26
—	VSTBY	—	VSTBY	SRAM standby power input	I	VHV	V <sub>DDEH1</sub>	VSTBY	VSTBY	K4	M4	M4
—	REGSEL	—	REGSEL	Selects regulator mode (Linear/Switch mode)	I	AE	V <sub>DDREG</sub>	REGSEL	REGSEL	V20	W23	W23
—	REGCTL	—	REGCTL	Regulator controller output to base/gate of power transistor	O	AE	V <sub>DDREG</sub>	REGCTL	REGCTL	T22	Y26	Y26
—	VSSFL	—	VSSFL	Tie to V <sub>SS</sub>	I	VSS	V <sub>DDREG</sub>	VSSFL	VSSFL	V21	AB25	AB25
—	VDDREG	—	VDDREG	Source voltage for on-chip regulators and Low voltage detect circuits	I	VDDINT	V <sub>DDREG</sub>	VDDREG	VDDREG	U21	AA25	AA25

- <sup>1</sup> The GPIO number is the same as the corresponding pad configuration register (SIU\_PCRn) number in pins that have GPIO functionality. For pins that do not have GPIO functionality, this number is the PCR number.
- <sup>2</sup> The primary signal name is used as the pin label on the BGA map for identification purposes. However, the primary signal function is not available on all devices and is indicated by a dash in the following table columns: Signal Functions, P/F/G, and I/O Type.
- <sup>3</sup> P/A/G stands for Primary/Alternate/GPIO . This column indicates which function on a pin is Primary, Alternate 1, Alternate 2, (Alternate *n*) and GPIO.
- <sup>4</sup> Each line in the Function column corresponds to a separate signal function on the pin. For all device I/O pins, the primary, alternate, or GPIO signal functions are designated in the PA field of the SIU\_PCRn registers except where explicitly noted.
- <sup>5</sup> MH = High voltage, medium speed  
 F = Fast speed  
 FS = Fast speed with slew  
 AE = Analog with ESD protection circuitry (up/down = pull up and pull down circuits included in the pad)  
 VHV = Very high voltage
- <sup>6</sup> VDDE (fast I/O) and VDDEH (slow I/O) power supply inputs are grouped into segments. Each segment of VDDEH pins can connect to a separate 3.3–5.0 V (+5%/–10%) power supply input. Each segment of VDDE pins can connect to a separate 1.8–3.3 V (±10%) power supply.
- <sup>7</sup> The Status During Reset pin is sampled after the internal POR is negated. Prior to exiting POR, the signal has a high impedance. The terminology used in this column is: O – output, I – input, Up – weak pull up enabled, Down – weak pulldown enabled, Low – output driven low, High – output driven high, ABS — Auto Baud Select (during Reset or until JCOMP assertion). A dash on the left side of the slash denotes that both the input and output buffers for the pin are off. A dash on the right side of the slash denotes that there is no weak pull up/down enabled on the pin. The signal name to the left or right of the slash indicates the pin is enabled.
- <sup>8</sup> The Function After Reset of a GPI function is general purpose input. A dash on the left side of the slash denotes that both the input and output buffers for the pin are off. A dash on the right side of the slash denotes that there is no weak pull up/down enabled on the pin.
- <sup>9</sup> This signal name includes eTPU\_C functionality that this device does not have. This is for forward compatibility with devices that have an eTPU\_C.
- <sup>10</sup> During and just after POR negates, internal pull resistors can be enabled, resulting in as much as 4 mA of current draw. The pull resistors are disabled when the system clock propagates through the device.
- <sup>11</sup> NMI does not have a PCR PA configuration; it is enabled when NMI is enabled through the SIU\_IREEER and SIU\_IFEER registers.

- <sup>12</sup> Nexus reset is different than system reset; MDO 1-11 are enabled when trace (RPM or FPM) is enabled, and MDO 12-15 when FPM trace is enabled. MSEO and MCKO are also dependent on trace (RPM or FPM) being enabled.
- <sup>13</sup> The Nexus pins don't have a "primary" function as they are not configured by the SIU. The pins are selected by asserting JCOMP and configuring the NPC. SIU values have no effect on the function of these pins once enabled.
- <sup>14</sup> MCKO is disabled from reset; it can be enabled from the tool (controlled by Nexus NPC\_PCR register).
- <sup>15</sup> Do not connect pin directly to a power supply or ground.

Table 45 lists the pin locations of the power and ground signals on the 324 TEPBGA package.

**Table 44. 324-pin Power Supply Locations**

**VDD**

A2	B3	C4	D5	K3	V19	W5	W9	W20	Y4	Y21	AA3	AA22	AB2
----	----	----	----	----	-----	----	----	-----	----	-----	-----	------	-----

**VDD33**

W21	V4
-----	----

**VDDE2**

AB4	M9	N1	N10	N9	P10	P9	T4	W6	V2
-----	----	----	-----	----	-----	----	----	----	----

**VDDEH1**

B1	L4
----	----

**VDDEH4**

AB20	W8
------	----

**VDDEH6**

N20	T21
-----	-----

**VDDEH7**

C22	H19	L22
-----	-----	-----

**VSS**

A1	A22	AA2	AA21	AB1	AB22	B2	B21	C20	C3	D19	D4	J10	J11	J12	J13	J14	J9
K10	K11	K12	K13	K14	K9	L10	L11	L12	L13	L14	L9	M10	M11	M12	M13	M14	N11
N12	N13	N14	P11	P12	P13	P14	W19	W4	Y20	Y3							

Table 45 lists the pin locations of the power and ground signals on the 416 TEPBGA package.

**Table 45. 416-pin Power Supply Locations**

**VDD**

A2	B3	C4	D5	N4	AB4	AB23	AC3	AC12	AC24	AD2	AD25	AE1	AE26
----	----	----	----	----	-----	------	-----	------	------	-----	------	-----	------

**VDD33**

M1	AA4	AA23
----	-----	------

**VDDE2**

N10	P10	P11	R10	R11	T1	T10	T11	T12	U10	U11	U12	W4	AC1	AC5	AF2
-----	-----	-----	-----	-----	----	-----	-----	-----	-----	-----	-----	----	-----	-----	-----

**VDDEH1**

B1	P4
----	----

**VDDEH3**

AC10	AF5
------	-----

**VDDEH4**

AC11	AF22
------	------

**VDDEH5**

AC21	AF25
------	------

**VDDEH6**

N23	AC25
-----	------

**VDDEH7**

D24	E23	M26
-----	-----	-----

**VSS**

A1	A26	B2	B25	C3	C24	D4	D23	K10	K11	K12	K13	K14	K15	K16	K17	L10	L11
L12	L13	L14	L15	L16	L17	M10	M11	M12	M13	M14	M15	M16	M17	N11	N12	N13	N14
N15	N16	N17	P12	P13	P14	P15	P16	P17	R12	R13	R14	R15	R16	R17	T13	T14	T15
T16	T17	U13	U14	U15	U16	U17	AC4	AC23	AD3	AD24	AE2	AE25	AF1	AF26			

Table 46 lists the pin locations of the power and ground signals on the 516 TEPBGA package.

**Table 46. 516-pin Power Supply Locations**

**VDD**

A2	B3	C4	D5	E6	N4	AB4	AB23	AC3	AC12	AC24	AD2	AD25	AE1	AE26
----	----	----	----	----	----	-----	------	-----	------	------	-----	------	-----	------

**VDD33**

M1	P6	L21	AA4	AA11	AA14	AA23
----	----	-----	-----	------	------	------

**VDDE10**

F16	F17	F19	F21	N21	P21	AA22
-----	-----	-----	-----	-----	-----	------

**VDDE2**

N10	P10	P11	R10	R11	T1	T10	T11	T12	U10	U11	U12	W4	AC1	AC5	AF2
-----	-----	-----	-----	-----	----	-----	-----	-----	-----	-----	-----	----	-----	-----	-----

**VDDE8**

F6	F8	F10	F11	N6	AA5
----	----	-----	-----	----	-----

**VDDE9**

AA13	AB6	AB7	AB18	AB19	AB20	AB21
------	-----	-----	------	------	------	------

**VDDEH1**

B1	P4
----	----

**VDDEH3**

AC10	AF5
------	-----

**VDDEH4**

AC11	AF22
------	------

**VDDEH5**

AC21	AF25
------	------

**VDDEH6**

N23	AC25
-----	------

**VDDEH7**

D24	E23	M26
-----	-----	-----

**VSS**

A25	B2	B25	B26	C3	C24	D4	D23	E5	E7	E8	E9	E10	E11	E12	E13	E14	E15
E16	E17	E18	E19	E21	E22	F5	F13	F14	K10	K11	K12	K13	K14	K15	K16	K17	L10
L11	L12	L13	L14	L15	L16	L17	M10	M11	M12	M13	M14	M15	M16	M17	N11	N12	N13
N14	N15	N16	N17	P12	P13	P14	P15	P16	P17	R12	R13	R14	R15	R16	R17	T13	T14
T15	T16	T17	U13	U14	U15	U16	U17	AA6	AA21	AB5	AB22	AC4	AC23	AD3	AD24	AE2	AE25

## Appendix B Revision History

Table 47 describes the changes made to this document between revisions.

**Table 47. Revision History**

Revision (Date)	Description of changes
2 (Sept 2008)	Initial release, NDA Required.
3 (Nov 2009)	<b>Changes between Rev.2 and Rev. 3:</b>
	Added 516-pin package figures.
	Signals table: Updates throughout entire table.
	Updated <a href="#">Section 4.6, "Power Up/Down Sequencing"</a>
	Updated features list. Updated flash PFCPR1 settings table. Fixed JTAG Test Clock Input Timing figure so the spec #'s in table matched figure.
	Updated Orderable Part numbers table.
	Moved signals table to be an appendix.
	Added 324-pin package thermals. Updated part numbers in orderable parts table (missing F: MPC5674F).
	FMPLL Electrical Spec table: Spec #1 changed min values of 4 to 8 Removed last sentence of footnote 2 Added note "Upper tolerance of less than 1% is allowed on 40MHz crystal."
	Oscillator Electrical Spec table: Moved predivider op. frequency spec from this table to the FMPLL Electrical Spec table Removed footnote #3 (since VDDE9 is an external supply and has no relation to the oscillator, PMC, or PLL).
	Added maximum solder temperature to Absolute Max Ratings table.
	PMC Operating Conditions table: Removed JTemp row. Changed VDDR to VDDREG (naming consistency) Changed VDD12 to VDD (naming consistency)
	PMC Electrical Spec table: Added VDDREG to this parameter "Trimmed bandgap reference voltage / voltage dependence ( $V_{DDREG}$ )" Changed VDDSTEP to LVDSTEP12 (naming consistency)
	Added two conditons to the opening statements of <a href="#">Section 4.6, "Power Up/Down Sequencing."</a>
	DC Electrical Specifications table: spec #9 (Fast I/O Input High Voltage) spec #10 (Fast I/O Input Low Voltage) spec #24 (Operating Current 1.2 V Supplies; IDD) spec #25 (Operating Current 3.3 V Supplies; IDDSYN) spec #32 (Analog Input Current, Channel Off; IINACT_A) footnote #12 ("IOH_S = {11.6} mA...")

Table 47. Revision History (continued)

Revision (Date)	Description of changes
3 (cont.)	<p>eQADC Conversion Specifications table: Spec #7, 8: both +/-3, no dependency on frequency Spec #15, 16: added "(with calibration)" to both</p> <p>Flash Program and Erase Specifications table: Added footnote 4 to spec #2. Updated all initial max value times.</p> <p>Updated entire AC Specifications: Clocking section.</p> <p>Pad AC Specifications table: updated Medium pad specs Derated Pad AC Specifications table: updated all specs</p> <p>Updated entire <a href="#">Section 4.6, "Power Up/Down Sequencing."</a></p> <p>Updated Absolute Maximum Ratings (AMR) specs 1–11, 15, 16.</p> <p>Changed name of IDDC to IREGCTL since it is the REGCTL max drive current.</p> <p>Added two EMC Radiated Emissions Operating Behaviors tables and removed "EMI Testing Specifications" table.</p> <p>PMC Electrical Specifications table: 1b: Changed 1% to 2% 1c: Changed 150 to 300 ppm/C 2b: added footnote 2c: Changed from "Trimming step VDD" to "Trimming step VDD12OUT"</p> <p>DC Electrical Specifications table: 6: Updated min value and added keep-out range</p> <p>Standby RAM Regulator Electrical Specifications table: Added brownout spec</p> <p>PMC electrical spec table, added new specs: SMPS regulator output resistance, SPMS regulator clock frequency, SMPS regulator overshoot at start-up, SMPS max output current, and voltage variation on current step.</p> <p>Added LVD VDDA specs to the PMC electrical spec table.</p> <p>Removed specs for VDDF and VFLASH since those supplies are shorted with others in the package.</p>
4 (Aug 2010)	<p style="text-align: center;"><b>Changes between Rev.3 and Rev.4:</b></p> <p>Table "Derated Pad AC Specifications", Spec #1: Changed 20ns to 200ns.</p> <p>Added "324-ball TEPBGA Pin Assignments" section and mechanical drawings.</p> <p>Appendix A (Signals): Added "(the BAM uses this pin to select if auto baud rate is on or off)" to the EVTO pin description. Added 324 pinout column. Changed footnote from "NMI does not have a PCR PA configuration; it is enabled when NMI is enabled through the SIU DIRER register." to "NMI does not have a PCR PA configuration; it is enabled when NMI is enabled through the SIU_IREEER and SIU_IFEER registers." Updated eQADC signals to show that eQADC A and B each have dedicated channels (ANx0-23) and shared channels (AN24-39).</p>

Table 47. Revision History (continued)

Revision (Date)	Description of changes
4 (cont)	"Temperature Sensor Electrical Specifications" table: Changed spec #2 to have one temperature range (-40 - 150 C) and changed spec value from $\pm 1.0$ to $\pm 10.0$ C.
	"eQADC Conversion Specifications (Operating)" table: Changed spec #13 (non-disruptive injection current) values from $\pm 1$ to $\pm 3$ .
	"IPCLKDIV Settings" table, removed footnote "eMIOS and DMA are not considered peripherals here."
5 (Feb-2011)	Note 4 in Maximum Ratings updated from 2.0 V to 1.65 V. Changed I/O Supply Voltage spec in DC Electrical specs, Spec 2, from 1.62 V min to 3.0 V min. Changed the APC=RWSC value in line 1 of PFCPR1 Settings vs. Frequency of Operation table from 0b011 to 0b100 Changed note 1 for Pad AC Specifications table from Vdde = 1.62 V to 1.98 V to read Vdde = 3.0 V to 3.6 V Changed note 6 for Signal Properties and Muxing Summary table by removing the voltage range 1.8 V - 3.3 V to have 3.3 V instead of the range. Spec 2 in Table 9 "ESD Ratings" the spec for "ESD for Charged Device Model (CDM)" changed to 250 V (other) from 500 V (other) Removed voltage ranges 1.62-1.98 V and 2.25-2.75 V from spec 28 in Table 14
6 (Feb-2011)	Same content as for Rev. 5
7 (Mar-2011)	Added entry for Rev. 6 and Rev. 7 to this table to fix a revision-numbering issue.
8 (Jun-2011)	Added the following footnotes to the "Signal Properties and Muxing Summary" table: <ul style="list-style-type: none"> <li>Footnote 10, for the ANA[0:7] signals, "During and just after POR negates, internal pull resistors can be enabled, resulting in as much as 4 mA of current draw. The pull resistors are disabled when the system clock propagates through the device."</li> <li>Footnote 15, for MDO[0:15] and MSEO[0:1] signals, "Do not connect pin directly to a power supply or ground."</li> </ul>
	Changed min and max values of ID 1 "Nominal bandgap reference voltage" in Table 11 (PMC Electrical Specifications) to 0.608 V min and 0.632 V max. Changed min and max values of Spec 2 "ADC Bandgap" in Table 23 (ADC Band Gap Reference/LVI Electrical Specifications) to 1.171 V min and 1.269 V max. Changed Spec 3 of Table 26 (Flash EEPROM Module Life) from 'Minimum Data Retention at 25 °C ambient temperature' to 'Minimum Data Retention at 85 °C ambient temperature'
	Added Spec 41, 42, 43 and 44 to the "DC Electrical Specifications" table Added Note 25 to the "DC Electrical Specifications" table for Spec 41, 42 and 43 Added Note 26 to the "DC Electrical Specifications" for Spec 44 Added Spec 17 to the "eQADC Conversion Specifications (Operating)" table. Added Spec 18 to the "eQADC Conversion Specifications (Operating)" table. Added Note 15 to the "eQADC Conversion Specifications (Operating)" table for Spec 17 and 18.



Table 47. Revision History (continued)

Revision (Date)	Description of changes
8 (Jun-2011)	<p>Removed spec 3 from Table 27 "PFCPR1 Settings vs Frequency of Operation"</p> <p>Updated spec 2a (Untrimmed VRC 1.2V) in Table 11 "PMC Electrical Specifications" to a max value of <math>V_{DD12OUT} + 17\%</math>.</p> <p>Updated item 26 (Operating Current VDDA Supply) in table 14 "Electrical Specifications" from 30 mA to 40 mA.</p> <p>Updated Note 11 for Table 14 (Electrical Specifications) to read <math>I_{OH\_F} = \{16,32,47,77\}</math> mA and <math>I_{OL\_F} = \{24,48,71,115\}</math> mA for <math>\{00,01,10,11\}</math> drive mode with <math>V_{DDE} = 3.0</math> V.</p> <p>Updated ID 9 in Table 11 (PMC Electrical Specifications) to  <math>V_{REG} = 4.5</math> V, max DC output current with a max of 80 mA  <math>V_{REG} = 4.25</math> V, max DC output current, crank condition with a max of 40 mA</p> <p>Updated Table 17 (DSPI LVDS Pad Specification) with the following:</p> <ul style="list-style-type: none"> <li>• Spec 1 typical value updated from 40 MHz to 50 MHz</li> <li>• Spec 2 added SRC conditions and associated values: <ul style="list-style-type: none"> <li>– SRC=0b00 or SRC=0b11 Min 150 mV Max 400 mV</li> <li>– SRC=0b01 Min 90 mV Max 320 mV</li> <li>– SRC=0b10 Min 160 mV Max 480 mV</li> </ul> </li> <li>• Spec 3 <ul style="list-style-type: none"> <li>- Min value from 1.075 V to 1.06 V</li> <li>- Max value from 1.325 V to 1.39 V</li> </ul> </li> <li>• Added Spec 5, 6 and 7</li> </ul> <p>Updated table 17 "DSPI LVDS pad specification" to include Temperature with a min value of -40 C and max of 150 C</p> <p>Updated Spec 5 of Table 18, "FMPLL Electrical Specifications" to &lt; 400 us as the Max vaule.</p> <p>Added the sentence "Violating the VCO min/max range may prevent the system from exiting reset." to the end of Footnote 16 of Table 18, "FMPLL Electrical Specifications"</p> <p>Updated Spec 1 of Table 18, "FMPLL Electrical Specifications", Crystal Reference (PLLCFG2 = 0b1) minimum value from 40 MHz to 16 MHz.</p> <p>Updated Spec 1 of Table 18, "FMPLL Electrical Specifications", External Reference (PLLCFG2 = 0b1) minimum value from 40 MHz to 16 MHz.</p> <p>Removed Note 9, 'Duty cycle can be 20–80% when PLL is used with a pre-divider greater than 1', from Table 18, "FMPLL Electrical Specifications".</p> <p>Updated ID 16 in Table 11, "PMC Electrical Specifications", SMPS regulator clock frequency (after reset) 2.4MHz Max</p> <p>Updated Table 16 "Flash EEPROM Module Life", spec 3, 'Blocks with 10,001–100,000 P/E cycles' to 5 Years.</p> <p>Added Typ column to Table 25, "Flash Program and Erase Specifications"</p> <p>Updated Table 3, "Absolute Maximum Ratings" with the following:</p> <ul style="list-style-type: none"> <li>- Spec 1, '1.2 V Core Supply Voltage', to a Max of 2.0 V</li> <li>- Spec 3, 'Clock Synthesizer Voltage', to a Max of 5.3 V</li> <li>- Spec 4, 'I/O Supply Voltage' to a Max of 5.3 V</li> <li>- Spec 5, 'Analog Supply Voltage' to a Max of 5.3 V</li> <li>- Note 2 to read, "2.0 V for 10 hours cumulative time, 1.32 V +10% for time remaining."</li> <li>- Note 3, "... 5.0 V + 10% ..." to "... 5.25 V + 10 % ..."</li> <li>- Note 5, "... 3.3 V + 10% ..." to "... 3.60 V + 10 % ..."</li> </ul> <p>Updated Spec 2 (ESD for Charged Device Model (CDM)) of Table 9, "ESD Ratings", to 500 V</p> <p>Updated Table 27, "PFCPR1 Settings vs. Frequency of Operation", Spec 3, APC = RWSC column to 0b100.</p> <p>Updated Spec 26, "Operating Current 5.0 V Supplies @ <math>f_{sys} = 264</math> MHz" for <math>I_{DDA}</math> to 50 mA, in Table 14, "DC electrical specifications".</p>

Table 47. Revision History (continued)

Revision (Date)	Description of changes
9	<p>Updated <a href="#">Table 1</a>, "<a href="#">Orderable Part Numbers</a>" with actual available parts. Added new part number SPC5673FF3MVY2 ,Package description 516 PBGA, w/EBI, Pb-free.Speed is 200 MHz nom and max.—Removed note attached to “Orderable Part Numbers” and “Freescale Part Number”.</p> <p>Updated footnotes of <a href="#">Table 3</a>, "<a href="#">Absolute Maximum Ratings</a>" to:</p> <ul style="list-style-type: none"> <li>• 2.0 V for 10 hours cumulative time, 1.2V +10% for time remaining.</li> <li>• 6.4 V for 10 hours cumulative time, 5.0V +10% for time remaining.</li> <li>• 5.3 V for 10 hours cumulative time, 3.3V +10% for time remaining.</li> </ul> <p>Updated <a href="#">Table 6</a>, "<a href="#">Thermal Characteristics, 324-pin Package</a>" to show MPC5674F thermal characteristics.</p> <p>In <a href="#">Table 10</a>, "<a href="#">PMC Operating conditions</a>", updated the parameter “Supply voltage VDD 1.2V nominal” to “Core supply voltage”.</p> <p>In <a href="#">Table 11</a>, "<a href="#">PMC Electrical Specifications</a>", updated the following rows:</p> <ul style="list-style-type: none"> <li>• Parameter “Nominal VRC regulated 1.2V output VDD” updated column “Typ” to 1.27 V.</li> <li>• The minimum and maximum value of “Untrimmed VRC 1.2V output variation before band gap trim (unloaded)” updated to “-14%” and “+10%”, respectively.</li> <li>• The minimum and maximum value of “Trimmed VRC 1.2V output variation after band gap trim (REGCTL load max. 20mA, VDD load max 1A)” updated to “-10%” and “+5%”, respectively.</li> </ul> <p>In <a href="#">Table 12</a>, "<a href="#">Power Sequence Pin States for MH and AE pads</a>", updated the row (VDD33 = low, VDDE = high), parameter “MH+LVDS Pads” to “Outputs disabled”.</p> <p>In <a href="#">Table 13</a>, "<a href="#">Power Sequence Pin States for F and FS pads</a>", updated the rows (VDD = low, VDD33 = low, VDDE = high) and (VDD = high, VDD33 = low, VDDE = high), parameter “F and FS pad” to “Outputs Disabled”.</p> <p>In <a href="#">Table 14</a>, "<a href="#">DC Electrical Specifications</a>", updated the spec 'Operating Current 1.2 V Supplies @ <math>f_{SYS} = 264</math> MHz' with 'V<sub>DD</sub> @ 1.32 V' Max value to 850 mA from 1.0 A, and deleted corresponding footnote stating that the previous information was preliminary.</p> <p>Updated current (mA) values in <a href="#">Table 15</a>, "<a href="#">V<sub>DDE</sub>/V<sub>DDEH</sub> I/O Pad Average DC Current</a>" from Spec 5 to 13:</p> <ul style="list-style-type: none"> <li>• Spec 5 Current (mA) from 6.5 to 7.4</li> <li>• Spec 6 Current (mA) from 9.4 to 10.5</li> <li>• Spec 7 Current (mA) from 10.8 to 12.3</li> <li>• Spec 8 Current (mA) from 33.3 to 35.2</li> <li>• Spec 9 Current (mA) from 12.0 to 12.7</li> <li>• Spec 10 Current (mA) from 6.2 to 6.7</li> <li>• Spec 11 Current (mA) from 4.0 to 4.2</li> <li>• Spec 12 Current (mA) from 2.4 to 2.6</li> <li>• Spec 13 Current (mA) from 8.9 to 9.</li> </ul> <p>In <a href="#">Table 35</a>, "<a href="#">Nexus Debug Port Timing</a>", updated the footnote of parameter “tCYC” to “See Notes on tcy on Table27”. Removed references to “Section I/O Pad VDD33 Current Specifications” .</p>
10	<p>Updated <a href="#">Figure 1</a>, "<a href="#">MPC5674F Orderable Part Number Description</a>" with changes in “Revision of Silicon” and “Fab Revision ID”.</p> <p>Updated <a href="#">Table 1</a>, "<a href="#">Orderable Part Numbers</a>" with changes in Part numbers and Package Description.</p>

## Revision History

**Table 47. Revision History (continued)**

Revision (Date)	Description of changes
10.1	In <a href="#">Figure 1., "MPC5674F Orderable Part Number Description"</a> , replaced "Revision of Silicon for TSMC is 0 for now. In future, it will be revision 1" with "0 = Rev 0 (TSMC14)".
11	In <a href="#">Figure 1., "MPC5674F Orderable Part Number Description"</a> , updated Fab and Masking Information. In <a href="#">Table 1</a> , added information about the available parts.