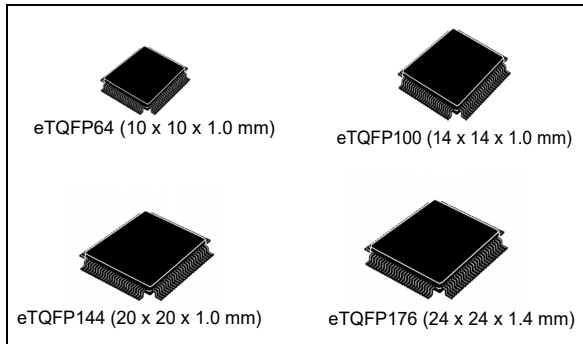


## 32-bit Power Architecture microcontroller for automotive ASIL-B applications

Datasheet - production data



### Features



- AEC-Q100 qualified
- High performance e200z420
  - 32-bit Power Architecture technology CPU
  - Core frequency as high as 120 MHz
  - Variable Length Encoding (VLE)
- 2112 KB (2048 KB code flash + 64 KB data flash) on-chip flash memory: supports read during program and erase operations, and multiple blocks allowing EEPROM emulation
- 176 KB HSM dedicated flash memory (144 KB code + 32 KB data)
- 128 KB on-chip general-purpose SRAM (in addition to 64 KB core local data RAM)
- Crossbar switch architecture for concurrent access to peripherals, Flash, or RAM from multiple bus masters with end-to-end ECC
- Multi-channel direct memory access controller (eDMA) with 64 channels
- 1 interrupt controller (INTC)
- Comprehensive new generation ASIL-B safety concept
  - ASIL-B of ISO 26262
  - FCCU for collection and reaction to failure notifications
- Memory Error Management Unit (MEMU) for collection and reporting of error events in memories
- Cyclic redundancy check (CRC) unit
- Enhanced low power support
  - Ultra low power STANDBY
  - Smart Wake-up Unit
  - Fast wake-up and execute from RAM
- Enhanced modular IO subsystem (eMIOS): up to 64 timed I/O channels with 16-bit counter resolution
- Body cross triggering unit (BCTU)
  - Triggers ADC conversions from any eMIOS channel
  - Triggers ADC conversions from up to 2 dedicated PIT\_RTIs
- Enhanced analog-to-digital converter system with:
  - 2 independent fast 12-bit SAR analog converters
  - 1 supervisor 12-bit SAR analog converter
  - 1 10-bit SAR analog converter with STDBY mode support
- Communication interfaces
  - 1 Ethernet controller 10/100 Mbps, compliant IEEE 802.3-2008
  - 8 MCAN interfaces with advanced shared memory scheme and ISO CAN-FD support
  - 14 LINFlexD modules
  - 7 Deserial Serial Peripheral Interface (DSPI) modules
- Dual phase-locked loops with stable clock domain for peripherals and FM modulation domain for computational shell
- Nexus Development Interface (NDI) per IEEE-ISTO 5001-2003 standard, with some support for 2010 standard

- Boot Assist Flash (BAF) supports factory programming using a serial bootload through the asynchronous CAN or LIN/UART
- Junction temperature range -40 °C to 150 °C

**Table 1. Device summary**

| Package  | Part number |             |             |
|----------|-------------|-------------|-------------|
|          | 1 MB        | 1.5 MB      | 2 MB        |
| eTQFP64  | SPC584B60E1 | SPC584B64E1 | SPC584B70E1 |
| eTQFP100 | SPC584B60E3 | SPC584B64E3 | SPC584B70E3 |
| eTQFP144 | SPC584B60E5 | SPC584B64E5 | SPC584B70E5 |
| eLQFP176 | SPC584B60E7 | SPC584B64E7 | SPC584B70E7 |

# Contents

|          |                                                |           |
|----------|------------------------------------------------|-----------|
| <b>1</b> | <b>Introduction</b>                            | <b>6</b>  |
| <b>2</b> | <b>Description</b>                             | <b>7</b>  |
| 2.1      | Device feature summary                         | 7         |
| 2.2      | Block diagram                                  | 8         |
| 2.3      | Features overview                              | 11        |
| <b>3</b> | <b>Package pinouts and signal descriptions</b> | <b>13</b> |
| <b>4</b> | <b>Electrical characteristics</b>              | <b>14</b> |
| 4.1      | Introduction                                   | 14        |
| 4.2      | Absolute maximum ratings                       | 15        |
| 4.3      | Operating conditions                           | 17        |
| 4.3.1    | Power domains and power up/down sequencing     | 18        |
| 4.4      | Electrostatic discharge (ESD)                  | 20        |
| 4.5      | Electromagnetic compatibility characteristics  | 21        |
| 4.6      | Temperature profile                            | 22        |
| 4.7      | Device consumption                             | 23        |
| 4.8      | I/O pad specification                          | 26        |
| 4.8.1    | I/O input DC characteristics                   | 26        |
| 4.8.2    | I/O output DC characteristics                  | 29        |
| 4.8.3    | I/O pad current specifications                 | 34        |
| 4.9      | Reset pad (PORST) electrical characteristics   | 37        |
| 4.10     | PLLs                                           | 40        |
| 4.10.1   | PLL0                                           | 40        |
| 4.10.2   | PLL1                                           | 42        |
| 4.11     | Oscillators                                    | 43        |
| 4.11.1   | Crystal oscillator 40 MHz                      | 43        |
| 4.11.2   | Crystal Oscillator 32 kHz                      | 44        |
| 4.11.3   | RC oscillator 16 MHz                           | 45        |
| 4.11.4   | Low power RC oscillator                        | 46        |
| 4.12     | ADC system                                     | 47        |
| 4.12.1   | ADC input description                          | 47        |

|          |                                                                  |            |
|----------|------------------------------------------------------------------|------------|
| 4.12.2   | SAR ADC 12 bit electrical specification                          | 48         |
| 4.12.3   | SAR ADC 10 bit electrical specification                          | 53         |
| 4.13     | Temperature sensor                                               | 56         |
| 4.14     | LFAST pad electrical characteristics                             | 57         |
| 4.14.1   | LFAST interface timing diagrams                                  | 57         |
| 4.14.2   | LFAST LVDS interface electrical characteristics                  | 58         |
| 4.14.3   | LFAST PLL electrical characteristics                             | 61         |
| 4.15     | Power management                                                 | 63         |
| 4.15.1   | Power management integration                                     | 63         |
| 4.15.2   | Voltage regulators                                               | 69         |
| 4.15.3   | Voltage monitors                                                 | 70         |
| 4.16     | Flash                                                            | 73         |
| 4.17     | AC specifications                                                | 77         |
| 4.17.1   | Debug and calibration interface timing                           | 77         |
| 4.17.2   | DSPI timing with CMOS pads                                       | 83         |
| 4.17.3   | Ethernet timing                                                  | 93         |
| 4.17.4   | CAN timing                                                       | 99         |
| 4.17.5   | UART timing                                                      | 100        |
| 4.17.6   | I2C timing                                                       | 100        |
| <b>5</b> | <b>Package information</b>                                       | <b>102</b> |
| 5.1      | eTQFP64 package information                                      | 102        |
| 5.1.1    | Package mechanical drawings and data information                 | 106        |
| 5.2      | eTQFP100 package information                                     | 107        |
| 5.2.1    | Package mechanical drawings and data information                 | 111        |
| 5.3      | eTQFP144 package information                                     | 112        |
| 5.3.1    | Package mechanical drawings and data information                 | 116        |
| 5.4      | eLQFP176 package information                                     | 117        |
| 5.4.1    | Package mechanical drawings and data information                 | 121        |
| 5.5      | Package thermal characteristics                                  | 123        |
| 5.5.1    | eTQFP64                                                          | 123        |
| 5.5.2    | eTQFP100                                                         | 123        |
| 5.5.3    | eTQFP144                                                         | 124        |
| 5.5.4    | LQFP176                                                          | 124        |
| 5.5.5    | General notes for specifications at maximum junction temperature | 125        |

---

|          |                                   |            |
|----------|-----------------------------------|------------|
| <b>6</b> | <b>Ordering information</b> ..... | <b>128</b> |
| <b>7</b> | <b>Revision history</b> .....     | <b>130</b> |

# 1 Introduction

This document describes the features of the family and options available within the family members, and highlights important electrical and physical characteristics of the device. To ensure a complete understanding of the device functionality, refer also to the device reference manual and errata sheet.

## 2 Description

The SPC584Bx microcontroller is a member of the family of devices superseding the SPC560Bx family. SPC584Bx is built on the legacy of the SPC560Bx family, while introducing new features coupled with higher throughput to provide substantial reduction of cost per feature and significant power and performance improvement (MIPS per mW). On the SPC584Bx device, there is one processor core e200z420 and one e200z0 core embedded in the Hardware Security Module.

### 2.1 Device feature summary

[Table 2](#) lists a summary of major features for the SPC584Bx device. The feature column represents a combination of module names and capabilities of certain modules. A detailed description of the functionality provided by each on-chip module is given later in this document.

**Table 2. Features list**

| Feature                         | Description               |
|---------------------------------|---------------------------|
| SPC58 family                    | 40 nm                     |
| Number of Cores                 | 1                         |
| Local RAM                       | 64 KB Data                |
| Single Precision Floating Point | Yes                       |
| SIMD                            | No                        |
| VLE                             | Yes                       |
| Cache                           | 8 KB Instruction          |
|                                 | 4 KB Data                 |
| MPU                             | Core MPU: 24 per CPU      |
|                                 | System MPU: 24 per XBAR   |
| Semaphores                      | No                        |
| CRC Channels                    | 2 x 4                     |
| Software Watchdog Timer (SWT)   | 2                         |
| Core Nexus Class                | 3+                        |
| Event Processor                 | 4 x SCU                   |
|                                 | 4 x PMC                   |
| Run control Module              | Yes                       |
| System SRAM                     | 128 KB (full standby RAM) |
| Flash                           | 2048 KB code / 64 KB data |
| Flash fetch accelerator         | 2 x 4 x 256-bit           |
| DMA channels                    | 32                        |
| DMA Nexus Class                 | 3                         |

Table 2. Features list (continued)

| Feature                             | Description                                                     |
|-------------------------------------|-----------------------------------------------------------------|
| LINFlexD                            | 14                                                              |
| MCAN (ISO CAN-FD compliant)         | 8                                                               |
| DSPI                                | 7                                                               |
| I2C                                 | 1                                                               |
| Ethernet                            | 1 MAC with Time Stamping, AVB and VLAN support                  |
| SIPI / LFAST Debugger               | High Speed                                                      |
| System Timers                       | 8 PIT channels                                                  |
|                                     | 1 AUTOSAR® (STM)                                                |
|                                     | RTC/API                                                         |
| eMIOS                               | 2 x 32 channels                                                 |
| BCTU                                | 64 channels                                                     |
| ADC (SAR)                           | 4                                                               |
| Temp. sensor                        | Yes                                                             |
| Self Test Controller                | Yes                                                             |
| PLL                                 | Dual PLL with FM                                                |
| Integrated linear voltage regulator | Yes                                                             |
| External Power Supplies             | 5 V, 3.3 V                                                      |
| Low Power Modes                     | HALT Mode                                                       |
|                                     | STOP Mode                                                       |
|                                     | Smart Standby with output controller, analog and digital inputs |
|                                     | Standby Mode                                                    |

## 2.2 Block diagram

The figures below show the top-level block diagrams.



Figure 1. Block diagram

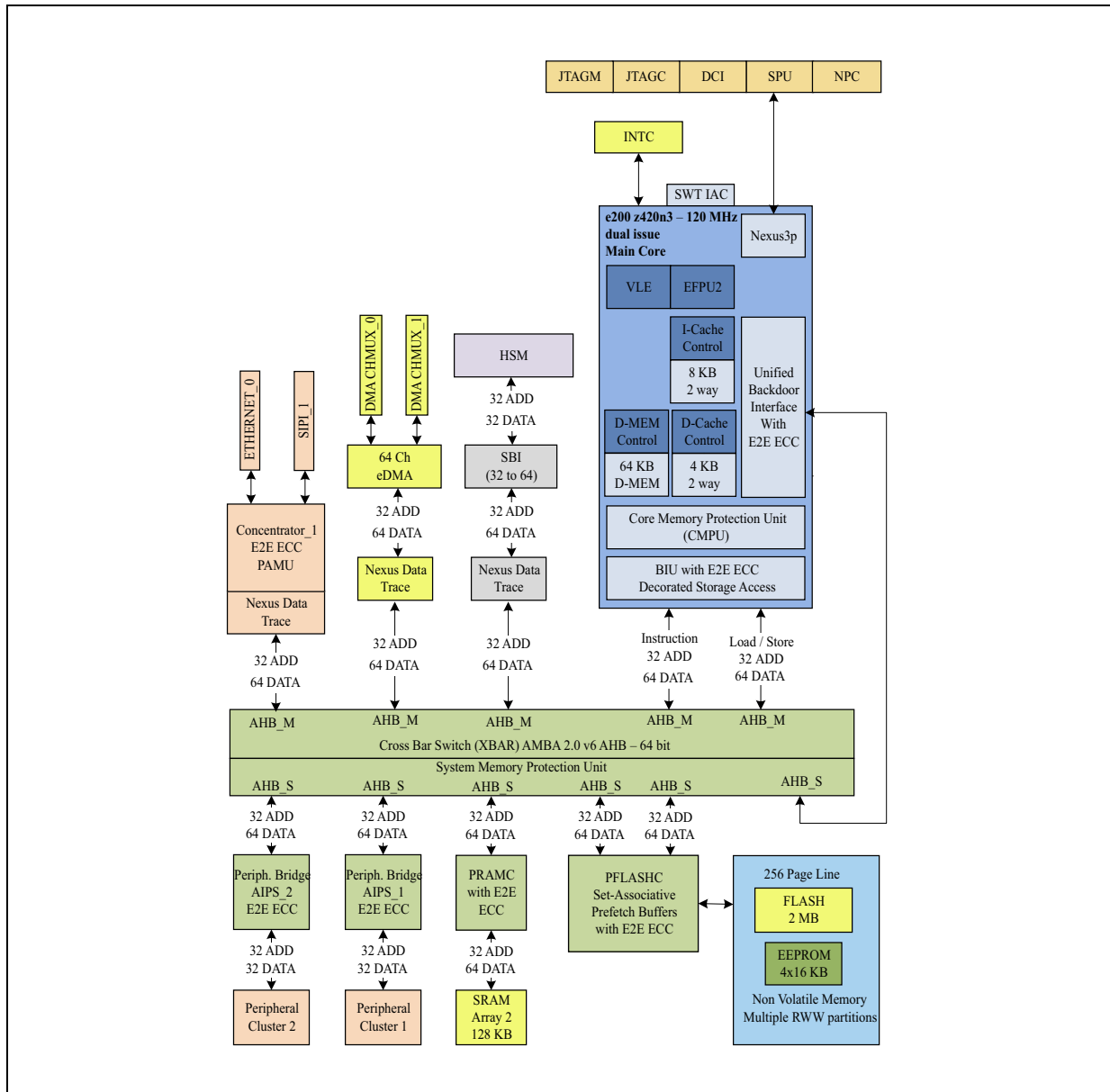
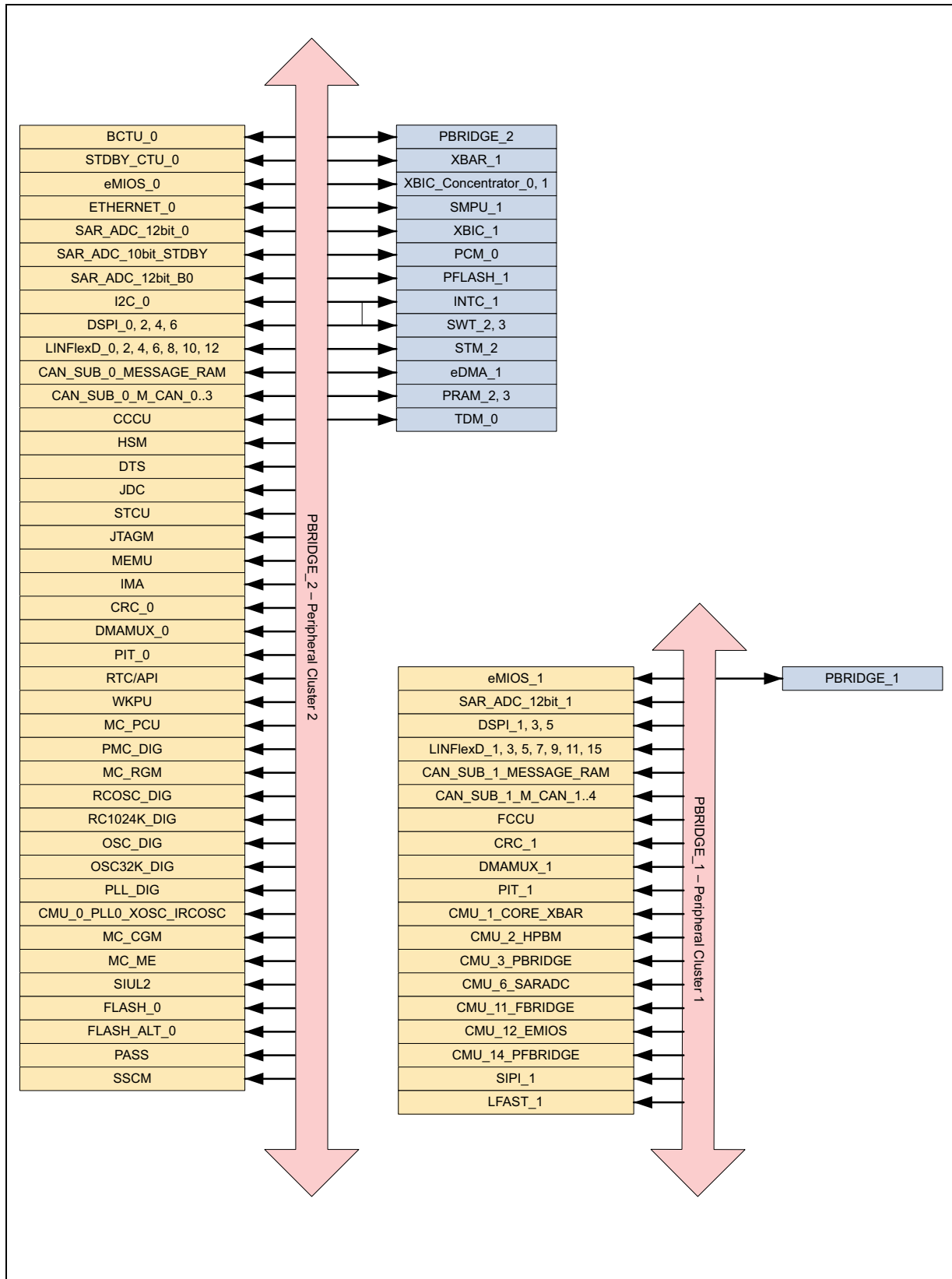


Figure 2. Periphery allocation



## 2.3 Features overview

On-chip modules within SPC584Bx include the following features:

- One main CPU, dual issue, 32-bit CPU core complexes (e200z4)
  - Power Architecture embedded specification compliance
  - Instruction set enhancement allowing variable length encoding (VLE), encoding a mix of 16-bit and 32-bit instructions, for code size footprint reduction
  - Single-precision floating point operations
  - 64 KB local data RAM for Core\_2
  - 8 KB I-Cache and 4 KB D-Cache for Core\_2
- 2112 KB (2048 KB code flash + 64 KB data flash) on-chip flash memory
  - Supports read during program and erase operations, and multiple blocks allowing EEPROM emulation
- 176 KB HSM dedicated flash memory (144 KB code + 32 KB data)
- 128 KB on-chip general-purpose SRAM (+ 64 KB local data RAM: 64 KB included in the CPU)
- Multi channel direct memory access controllers
  - 32 eDMA channels
- One interrupt controller (INTC)
- Dual phase-locked loops with stable clock domain for peripherals and FM modulation domain for computational shell
- Crossbar switch architecture for concurrent access to peripherals, Flash, or RAM from multiple bus masters with end-to-end ECC
- Hardware security module (HSM) with HW cryptographic co-processor
- System integration unit lite (SIUL)
- Boot assist Flash (BAF) supports factory programming using a serial bootload through the asynchronous CAN or LIN/UART.
- Hardware support for safety ASIL-B level related applications
- Enhanced modular IO subsystem (eMIOS): up to 64 (2 x 32) timed I/O channels with 16-bit counter resolution
  - Buffered updates
  - Support for shifted PWM outputs to minimize occurrence of concurrent edges
  - Supports configurable trigger outputs for ADC conversion for synchronization to channel output waveforms
  - Shared or independent time bases
  - DMA transfer support available
- Body Cross Triggering Unit (BCTU)
  - Triggers ADC conversions from any eMIOS channel
  - Triggers ADC conversions from up to 2 dedicated PIT\_RTIs
  - One event configuration register dedicated to each timer event allows to define the corresponding ADC channel
  - Synchronization with ADC to avoid collision
- Enhanced analog-to-digital converter system with:
  - Two independent fast 12-bit SAR analog converters

- One supervisor 12-bit SAR analog converter
- One 10-bit SAR analog converter with STDBY mode support
- Seven Deserial Serial Peripheral Interface (DSPI) modules
- Fourteen LIN and UART communication interface (LINFlexD) modules
  - LINFlexD\_0 is a Master/Slave
  - All others are Masters
- Eight modular controller area network (MCAN) modules, all supporting flexible data rate (ISO CAN-FD compliant)
- One ethernet controller 10/100 Mbps, compliant IEEE 802.3-2008
  - IEEE 1588-2008 Time stamping (internal 64-bit time stamp)
  - IEEE 802.1AS and IEEE 802.1Qav (AVB-Feature)
  - IEEE 802.1Q VLAN tag detection
  - IPv4 and IPv6 checksum modules
- Nexus development interface (NDI) per IEEE-ISTO 5001-2003 standard, with some support for 2010 standard
- Device and board test support per Joint Test Action Group (JTAG) (IEEE 1149.1 and IEEE 1149.7), 2-pin JTAG interface
- Standby power domain with smart wake-up sequence

### 3 Package pinouts and signal descriptions

Refer to the SPC584Bx IO\_ Definition document.

It includes the following sections:

1. Package pinouts
2. Pin descriptions
  - a) Power supply and reference voltage pins
  - b) System pins
  - c) LVDS pins
  - d) Generic pins

## 4 Electrical characteristics

### 4.1 Introduction

The present document contains the target Electrical Specification for the 40 nm family 32-bit MCU SPC584Bx products.

In the tables where the device logic provides signals with their respective timing characteristics, the symbol “CC” (Controller Characteristics) is included in the “Symbol” column.

In the tables where the external system must provide signals with their respective timing characteristics to the device, the symbol “SR” (System Requirement) is included in the “Symbol” column.

The electrical parameters shown in this document are guaranteed by various methods. To give the customer a better understanding, the classifications listed in [Table 3](#) are used and the parameters are tagged accordingly in the tables where appropriate.

**Table 3. Parameter classifications**

| Classification tag | Tag description                                                                                                                           |
|--------------------|-------------------------------------------------------------------------------------------------------------------------------------------|
| P                  | Those parameters are guaranteed during production testing on each individual device.                                                      |
| C                  | Those parameters are achieved by the design characterization by measuring a statistically relevant sample size across process variations. |
| T                  | Those parameters are achieved by design validation on a small sample size from typical devices.                                           |
| D                  | Those parameters are derived mainly from simulations.                                                                                     |

## 4.2 Absolute maximum ratings

*Table 4* describes the maximum ratings for the device. Absolute maximum ratings are stress ratings only, and functional operation at the maxima is not guaranteed. Exposure to absolute maximum rating conditions for extended periods may affect device reliability. Stress beyond the listed maxima, even momentarily, may affect device reliability or cause permanent damage to the device.

**Table 4. Absolute maximum ratings**

| Symbol                                                                                    | C  | Parameter | Conditions                                                              | Value                                              |     |     | Unit |
|-------------------------------------------------------------------------------------------|----|-----------|-------------------------------------------------------------------------|----------------------------------------------------|-----|-----|------|
|                                                                                           |    |           |                                                                         | Min                                                | Typ | Max |      |
| $V_{DD\_LV}$                                                                              | SR | D         | Core voltage operating life range <sup>(1)</sup>                        | —                                                  | —   | 1.4 | V    |
| $V_{DD\_HV\_IO\_MAIN}$<br>$V_{DD\_HV\_IO\_ETH}$<br>$V_{DD\_HV\_OSC}$<br>$V_{DD\_HV\_FLA}$ | SR | D         | I/O supply voltage <sup>(2)</sup>                                       | —                                                  | —   | 6.0 | V    |
| $V_{SS\_HV\_ADV}$                                                                         | SR | D         | ADC ground voltage                                                      | Reference to digital ground                        | —   | 0.3 | V    |
| $V_{DD\_HV\_ADV}$                                                                         | SR | D         | ADC Supply voltage <sup>(2)</sup>                                       | Reference to $V_{SS\_HV\_ADV}$                     | —   | 6.0 | V    |
| $V_{SS\_HV\_ADR\_S}$                                                                      | SR | D         | SAR ADC ground reference                                                | —                                                  | —   | 0.3 | V    |
| $V_{DD\_HV\_ADR\_S}$                                                                      | SR | D         | SAR ADC voltage reference <sup>(2)</sup>                                | Reference to $V_{SS\_HV\_ADR\_S}$                  | —   | 6.0 | V    |
| $V_{SS}-V_{SS\_HV\_ADR\_S}$                                                               | SR | D         | $V_{SS\_HV\_ADR\_S}$ differential voltage                               | —                                                  | —   | 0.3 | V    |
| $V_{SS}-V_{SS\_HV\_ADV}$                                                                  | SR | D         | $V_{SS\_HV\_ADV}$ differential voltage                                  | —                                                  | —   | 0.3 | V    |
| $V_{IN}$                                                                                  | SR | D         | I/O input voltage range <sup>(2)(3) (4)</sup>                           | —                                                  | —   | 6.0 | V    |
|                                                                                           |    |           |                                                                         | Relative to $V_{SS}$                               | —   | —   |      |
|                                                                                           |    |           |                                                                         | Relative to $V_{DD\_HV\_IO}$ and $V_{DD\_HV\_ADV}$ | —   | 0.3 |      |
| $T_{TRIN}$                                                                                | SR | D         | Digital Input pad transition time <sup>(5)</sup>                        | —                                                  | —   | 1   | ms   |
| $I_{INJ}$                                                                                 | SR | T         | Maximum DC injection current for each analog/digital PAD <sup>(6)</sup> | —                                                  | —   | 5   | mA   |

**Table 4. Absolute maximum ratings (continued)**

| Symbol                 |    | C | Parameter                                                  | Conditions                                                                 | Value |     |                    | Unit  |
|------------------------|----|---|------------------------------------------------------------|----------------------------------------------------------------------------|-------|-----|--------------------|-------|
|                        |    |   |                                                            |                                                                            | Min   | Typ | Max                |       |
| T <sub>STG</sub>       | SR | T | Maximum non-operating Storage temperature range            | —                                                                          | -55   | —   | 125                | °C    |
| T <sub>PAS</sub>       | SR | C | Maximum nonoperating temperature during passive lifetime   | —                                                                          | -55   | —   | 150 <sup>(7)</sup> | °C    |
| T <sub>STORAGE</sub>   | SR | — | Maximum storage time, assembled part programmed in ECU     | No supply; storage temperature in range -40 °C to 60 °C                    | —     | —   | 20                 | years |
| T <sub>SDR</sub>       | SR | T | Maximum solder temperature Pb-free packaged <sup>(8)</sup> | —                                                                          | —     | —   | 260                | °C    |
| MSL                    | SR | T | Moisture sensitivity level <sup>(9)</sup>                  | —                                                                          | —     | —   | 3                  | —     |
| T <sub>XRAY</sub> dose | SR | T | Maximum cumulated XRAY dose                                | Typical range for X-rays source during inspection: 80 ÷ 130 KV; 20 ÷ 50 µA | —     | —   | 1                  | grey  |

1. V<sub>DD\_LV</sub>: allowed 1.335 V - 1.400 V for 60 seconds cumulative time at the given temperature profile. Remaining time allowed 1.260 V - 1.335 V for 10 hours cumulative time at the given temperature profile. Remaining time as defined in [Section 4.3: Operating conditions](#).
2. V<sub>DD\_HV</sub>: allowed 5.5 V – 6.0 V for 60 seconds cumulative time at the given temperature profile, for 10 hours cumulative time with the device in reset at the given temperature profile. Remaining time as defined in [Section 4.3: Operating conditions](#).
3. The maximum input voltage on an I/O pin tracks with the associated I/O supply maximum. For the injection current condition on a pin, the voltage will be equal to the supply plus the voltage drop across the internal ESD diode from I/O pin to supply. The diode voltage varies greatly across process and temperature, but a value of 0.3 V can be used for nominal calculations.
4. Relative value can be exceeded if design measures are taken to ensure injection current limitation (parameter IINJ).
5. This limitation applies to pads with digital input buffer enabled. If the digital input buffer is disabled, there are no maximum limits to the transition time.
6. The limits for the sum of all normal and injected currents on all pads within the same supply segment can be found in [Section 4.8.3: I/O pad current specifications](#).
7. 175 °C are allowed for limited time. Mission profile with passive lifetime temperature >150 °C have to be evaluated by ST to confirm that are granted by product qualification.
8. Solder profile per IPC/JEDEC J-STD-020D.
9. Moisture sensitivity per JDEC test method A112.



### 4.3 Operating conditions

Table 5 describes the operating conditions for the device, and for which all the specifications in the data sheet are valid, except where explicitly noted. The device operating conditions must not be exceeded or the functionality of the device is not guaranteed.

Table 5. Operating conditions

| Symbol                                                                                                      | C  | Parameter | Conditions                                      | Value <sup>(1)</sup>    |                        |      | Unit                               |    |
|-------------------------------------------------------------------------------------------------------------|----|-----------|-------------------------------------------------|-------------------------|------------------------|------|------------------------------------|----|
|                                                                                                             |    |           |                                                 | Min                     | Typ                    | Max  |                                    |    |
| F <sub>SYS</sub>                                                                                            | SR | P         | Operating system clock frequency <sup>(2)</sup> | —                       | —                      | 120  | MHz                                |    |
| T <sub>A_125 Grade</sub> <sup>(3)</sup>                                                                     | SR | D         | Operating Ambient temperature                   | —                       | —                      | 125  | °C                                 |    |
| T <sub>J_125 Grade</sub> <sup>(3)</sup>                                                                     | SR | P         | Junction temperature under bias                 | T <sub>A</sub> = 125 °C | —                      | 150  | °C                                 |    |
| T <sub>A_105 Grade</sub> <sup>(3)</sup>                                                                     | SR | D         | Ambient temperature under bias                  | —                       | —                      | 105  | °C                                 |    |
| T <sub>J_105 Grade</sub> <sup>(3)</sup>                                                                     | SR | D         | Operating Junction temperature                  | T <sub>A</sub> = 105 °C | —                      | 130  | °C                                 |    |
| V <sub>DD_LV</sub>                                                                                          | SR | P         | Core supply voltage <sup>(4)</sup>              | —                       | 1.14                   | 1.20 | 1.26 <sup>(5)</sup> <sup>(6)</sup> | V  |
| V <sub>DD_HV_IO_MAIN</sub><br>V <sub>DD_HV_IO_ETH</sub><br>V <sub>DD_HV_FLA</sub><br>V <sub>DD_HV_OSC</sub> | SR | P         | IO supply voltage                               | —                       | 3.0                    | —    | 5.5                                | V  |
| V <sub>DD_HV_ADV</sub>                                                                                      | SR | P         | ADC supply voltage                              | —                       | 3.0                    | —    | 5.5                                | V  |
| V <sub>SS_HV_ADV</sub><br>V <sub>SS</sub>                                                                   | SR | D         | ADC ground differential voltage                 | —                       | —25                    | —    | 25                                 | mV |
| V <sub>DD_HV_ADR_S</sub>                                                                                    | SR | P         | SAR ADC reference voltage                       | —                       | 3.0                    | —    | 5.5                                | V  |
| V <sub>DD_HV_ADR_S</sub> <sup>-</sup><br>V <sub>DD_HV_ADV</sub>                                             | SR | D         | SAR ADC reference differential voltage          | —                       | —                      | —    | 25                                 | mV |
| V <sub>SS_HV_ADR_S</sub>                                                                                    | SR | P         | SAR ADC ground reference voltage                | —                       | V <sub>SS_HV_ADV</sub> |      |                                    | V  |

Table 5. Operating conditions (continued)

| Symbol                                      | C  | Parameter | Conditions                                                                                             | Value <sup>(1)</sup>            |      |     | Unit |    |
|---------------------------------------------|----|-----------|--------------------------------------------------------------------------------------------------------|---------------------------------|------|-----|------|----|
|                                             |    |           |                                                                                                        | Min                             | Typ  | Max |      |    |
| $V_{SS\_HV\_ADR\_S^-}$<br>$V_{SS\_HV\_ADV}$ | SR | D         | $V_{SS\_HV\_ADR\_S}$<br>differential<br>voltage                                                        | —                               | —    | 25  | mV   |    |
| $V_{RAMP\_HV}$                              | SR | D         | Slew rate on<br>HV power<br>supply                                                                     | —                               | —    | 100 | V/ms |    |
| $V_{IN}$                                    | SR | P         | I/O input<br>voltage range                                                                             | —                               | —    | 5.5 | V    |    |
| $I_{INJ1}$                                  | SR | T         | Injection<br>current (per<br>pin) without<br>performance<br>degradation <sup>(7)</sup><br>(8) (9)      | Digital pins and<br>analog pins | —3.0 | —   | 3.0  | mA |
| $I_{INJ2}$                                  | SR | D         | Dynamic<br>Injection<br>current (per<br>pin) with<br>performance<br>degradation <sup>(9)</sup><br>(10) | Digital pins and<br>analog pins | —10  | —   | 10   | mA |

1. The ranges in this table are design targets and actual data may vary in the given range.
2. Maximum operating frequency is applicable to the cores and platform of the device. See the Clock Chapter in the Microcontroller Reference Manual for more information on the clock limitations for the various IP blocks on the device.
3. In order to evaluate the actual difference between ambient and junction temperatures in the application, refer to [Section 5.5: Package thermal characteristics](#).
4. Core voltage as measured on device pin to guarantee published silicon performance.
5. Core voltage can exceed 1.26 V with the limitations provided in [Section 4.2: Absolute maximum ratings](#), provided that HVD134\_C monitor reset is disabled.
6. 1.260 V - 1.290 V range allowed periodically for supply with sinusoidal shape and average supply value below or equal to 1.236 V at the given temperature profile.
7. Full device lifetime. I/O and analog input specifications are only valid if the injection current on adjacent pins is within these limits. See [Section 4.2: Absolute maximum ratings](#) for maximum input current for reliability requirements.
8. The I/O pins on the device are clamped to the I/O supply rails for ESD protection. When the voltage of the input pins is above the supply rail, current will be injected through the clamp diode to the supply rails. For external RC network calculation, assume typical 0.3 V drop across the active diode. The diode voltage drop varies with temperature.
9. The limits for the sum of all normal and injected currents on all pads within the same supply segment can be found in [Section 4.8.3: I/O pad current specifications](#).
10. Positive and negative Dynamic current injection pulses are allowed up to this limit. I/O and ADC specifications are not granted. See the dedicated chapters for the different specification limits. See the Absolute Maximum Ratings table for maximum input current for reliability requirements. Refer to the following pulses definitions: Pulse1 (ISO 7637-2:2011), Pulse 2a(ISO 7637-2:2011 5.6.2), Pulse 3a (ISO 7637-2:2011 5.6.3), Pulse 3b (ISO 7637-2:2011 5.6.3).

### 4.3.1 Power domains and power up/down sequencing

The following table shows the constraints and relationships for the different power domains. Supply1 (on rows) can exceed Supply2 (on columns), only if the cell at the given row and column is reporting 'ok'. This limitation is valid during power-up and power-down phases, as well as during normal device operation.

Table 6. Device supply relation during power-up/power-down sequence

|         |                                                                                 | Supply2            |                           |                                                                                 |                        |                        |
|---------|---------------------------------------------------------------------------------|--------------------|---------------------------|---------------------------------------------------------------------------------|------------------------|------------------------|
|         |                                                                                 | V <sub>DD_LV</sub> | V <sub>DD_HV_IO_ETH</sub> | V <sub>DD_HV_IO_MAIN</sub><br>V <sub>DD_HV_FL A</sub><br>V <sub>DD_HV_OSC</sub> | V <sub>DD_HV_ADV</sub> | V <sub>DD_HV_ADR</sub> |
| Supply1 | V <sub>DD_HV_IO_ETH</sub>                                                       | ok                 |                           | not allowed                                                                     | ok                     | ok                     |
|         | V <sub>DD_HV_IO_MAIN</sub><br>V <sub>DD_HV_FL A</sub><br>V <sub>DD_HV_OSC</sub> | ok                 | ok                        |                                                                                 | ok                     | ok                     |
|         | V <sub>DD_HV_ADV</sub>                                                          | ok                 | ok                        | not allowed                                                                     |                        | ok                     |
|         | V <sub>DD_HV_ADR</sub>                                                          | ok                 | ok                        | not allowed                                                                     | not allowed            |                        |

During power-up, all functional terminals are maintained in a known state as described in the device pinout Microsoft Excel file attached to the IO\_Definition document.

### 4.4 Electrostatic discharge (ESD)

The following table describes the ESD ratings of the device:

- All ESD testing are in conformity with CDF-AEC-Q100 Stress Test Qualification for Automotive Grade Integrated Circuits.
- Device failure is defined as: “If after exposure to ESD pulses, the device does not meet the device specification requirements, which include the complete DC parametric and functional testing at room temperature and hot temperature, maximum DC parametric variation within 10 % of maximum specification”.

**Table 7. ESD ratings**

| Parameter                                                       | C | Conditions  | Value | Unit |
|-----------------------------------------------------------------|---|-------------|-------|------|
| ESD for Human Body Model (HBM) <sup>(1)</sup>                   | T | All pins    | 2000  | V    |
| ESD for field induced Charged Device Model (CDM) <sup>(2)</sup> | T | All pins    | 500   | V    |
|                                                                 | T | Corner pins | 750   | V    |

1. This parameter tested in conformity with ANSI/ESD STM5.1-2007 Electrostatic Discharge Sensitivity Testing.

2. This parameter tested in conformity with ANSI/ESD STM5.3-1990 Charged Device Model - Component Level.

## 4.5 Electromagnetic compatibility characteristics

EMC measurements at IC-level IEC standards are available from STMicroelectronics on request.

## 4.6 Temperature profile

The device is qualified in accordance to AEC-Q100 Grade1 requirements, such as HTOL 1,000 h and HTDR 1,000 hrs,  $T_J = 150\text{ }^{\circ}\text{C}$ .

## 4.7 Device consumption

Table 8. Device consumption

| Symbol                  | C  | Parameter                                                                                    | Conditions            | Value <sup>(1)</sup> |     |      | Unit |
|-------------------------|----|----------------------------------------------------------------------------------------------|-----------------------|----------------------|-----|------|------|
|                         |    |                                                                                              |                       | Min                  | Typ | Max  |      |
| $I_{DD\_LKG}^{(2),(3)}$ | CC | Leakage current on the $V_{DD\_LV}$ supply                                                   | $T_J = 40\text{ °C}$  | —                    | —   | 7    | mA   |
|                         |    |                                                                                              | $T_J = 25\text{ °C}$  | —                    | 1.5 | 5    |      |
|                         |    |                                                                                              | $T_J = 55\text{ °C}$  | —                    | —   | 10   |      |
|                         |    |                                                                                              | $T_J = 95\text{ °C}$  | —                    | —   | 25   |      |
|                         |    |                                                                                              | $T_J = 120\text{ °C}$ | —                    | —   | 45   |      |
|                         |    |                                                                                              | $T_J = 150\text{ °C}$ | —                    | —   | 90   |      |
| $I_{DD\_LV}^{(3)}$      | CC | Dynamic current on the $V_{DD\_LV}$ supply, very high consumption profile <sup>(4)</sup>     | —                     | —                    | —   | 125  | mA   |
| $I_{DD\_HV}$            | CC | Total current on the $V_{DD\_HV}$ supply <sup>(4)</sup>                                      | $f_{MAX}$             | —                    | —   | 55   | mA   |
| $I_{DD\_LV\_GW}$        | CC | Dynamic current on the $V_{DD\_LV}$ supply, gateway profile <sup>(5)</sup>                   | —                     | —                    | —   | 98   | mA   |
| $I_{DD\_HV\_GW}$        | CC | Dynamic current on the $V_{DD\_HV}$ supply, gateway profile <sup>(5)</sup>                   | —                     | —                    | —   | 22   | mA   |
| $I_{DD\_LV\_BCM}$       | CC | Dynamic current on the $V_{DD\_LV}$ supply, body profile <sup>(6)</sup>                      | —                     | —                    | —   | 79   | mA   |
| $I_{DD\_HV\_BCM}$       | CC | Dynamic current on the $V_{DD\_HV}$ supply, body profile <sup>(6)</sup>                      | —                     | —                    | —   | 29   | mA   |
| $I_{DD\_HSM\_AC}$       | CC | HSM platform dynamic operating current <sup>(7)</sup>                                        | $f_{MAX}/2$           | —                    | —   | 15   | mA   |
| $I_{DDHALT}^{(8)}$      | CC | Dynamic current on the $V_{DD\_LV}$ supply + Total current on the $V_{DD\_HV}$ supply        | —                     | —                    | 54  | 63   | mA   |
| $I_{DDSTOP}^{(9)}$      | CC | Dynamic current on the $V_{DD\_LV}$ supply + Total current on the $V_{DD\_HV}$ supply        | —                     | —                    | 18  | 24   | mA   |
| $I_{DDSTBY8}$           | CC | Total standby mode current on $V_{DD\_LV}$ and $V_{DD\_HV}$ supply, 8 KB RAM <sup>(10)</sup> | $T_J = 25\text{ °C}$  | —                    | 55  | 120  | μA   |
|                         |    |                                                                                              | $T_J = 40\text{ °C}$  | —                    | —   | 180  |      |
|                         |    |                                                                                              | $T_J = 55\text{ °C}$  | —                    | —   | 280  |      |
|                         |    |                                                                                              | $T_J = 120\text{ °C}$ | —                    | 0.8 | 1.65 | mA   |
|                         |    |                                                                                              | $T_J = 150\text{ °C}$ | —                    | 1.8 | 3.8  |      |

Table 8. Device consumption (continued)

| Symbol                 | C  | Parameter                                                                                                  | Conditions             | Value <sup>(1)</sup>    |     |     | Unit |    |
|------------------------|----|------------------------------------------------------------------------------------------------------------|------------------------|-------------------------|-----|-----|------|----|
|                        |    |                                                                                                            |                        | Min                     | Typ | Max |      |    |
| I <sub>DDSTBY32</sub>  | CC | Total standby mode current on V <sub>DD_LV</sub> and V <sub>DD_HV</sub> supply, 32 KB RAM <sup>(10)</sup>  | T <sub>J</sub> = 25 °C | —                       | 60  | 130 | μA   |    |
|                        |    |                                                                                                            | T <sub>J</sub> = 40 °C | —                       | —   | 200 |      |    |
|                        |    |                                                                                                            | T <sub>J</sub> = 55 °C | —                       | —   | 300 |      |    |
|                        |    |                                                                                                            | D                      | T <sub>J</sub> = 120 °C | —   | —   | 1.8  | mA |
|                        |    |                                                                                                            | P                      | T <sub>J</sub> = 150 °C | —   | —   | 4.1  |    |
| I <sub>DDSTBY128</sub> | CC | Total standby mode current on V <sub>DD_LV</sub> and V <sub>DD_HV</sub> supply, 128 KB RAM <sup>(10)</sup> | T <sub>J</sub> = 25 °C | —                       | 90  | 160 | μA   |    |
|                        |    |                                                                                                            | T <sub>J</sub> = 40 °C | —                       | —   | 250 | μA   |    |
|                        |    |                                                                                                            | T <sub>J</sub> = 55 °C | —                       | —   | 370 | μA   |    |
|                        |    |                                                                                                            | D                      | T <sub>J</sub> = 120 °C | —   | 1.2 | 2.2  | mA |
|                        |    |                                                                                                            | P                      | T <sub>J</sub> = 150 °C | —   | 2.8 | 5.0  |    |
| I <sub>DDSSWU1</sub>   | CC | SSWU running over all STANDBY period with OPC/TU commands execution and keeping ADC off <sup>(11)</sup>    | T <sub>J</sub> = 40 °C | —                       | 1.0 | 3.5 | mA   |    |
| I <sub>DDSSWU2</sub>   | CC | SSWU running over all STANDBY period with OPC/TU/ADC commands execution and keeping ADC on <sup>(12)</sup> | T <sub>J</sub> = 40 °C | —                       | 3.5 | 5.0 | mA   |    |

- The ranges in this table are design targets and actual data may vary in the given range.
- The leakage considered is the sum of core logic and RAM memories. The contribution of analog modules is not considered, and they are computed in the dynamic I<sub>DD\_LV</sub> and I<sub>DD\_HV</sub> parameters.
- I<sub>DD\_LKG</sub> (leakage current) and I<sub>DD\_LV</sub> (dynamic current) are reported as separate parameters, to give an indication of the consumption contributors. The tests used in validation, characterization and production are verifying that the total consumption (leakage+dynamic) is lower or equal to the sum of the maximum values provided (I<sub>DD\_LKG</sub> + I<sub>DD\_LV</sub>). The two parameters, measured separately, may exceed the maximum reported for each, depending on the operative conditions and the software profile used.
- Use case: 1 x e200Z4 @120 MHz, HSM @60 MHz, all IPs clock enabled, Flash access with prefetch disabled, Flash consumption includes parallel read and program/erase, all SARADC in continuous conversion, DMA continuously triggered by ADC conversion, 2 DSP1 / 8 CAN / 2 LINFlex transmitting, RTC and STM running, 1 x EMIOs running (4 channels in OPWMT mode), FIRC, SIRC, FXOSC, PLL0-1 running. The switching activity estimated for dynamic consumption does not include I/O toggling, which is highly dependent on the application. Details of the software configuration are available separately. The total device consumption is I<sub>DD\_LV</sub> + I<sub>DD\_HV</sub> + I<sub>DD\_LKG</sub> for the selected temperature.
- Gateway use case: One core running at 120 MHz, HSM 40 MHz, DMA, PLL, FLASH read only 25%, 8xCAN, 1xSARADC.
- BCM use case: One Core running at 80 MHz, HSM 40 MHz, DMA, PLL, FLASH read only 25%, 1xCAN, 3xSARADC.
- Dynamic consumption of the HSM module, including the dedicated memories, during the execution of Electronic Code Book crypto algorithm on 1 block of 16 byte of shared RAM.
- Flash in Low Power. Sysclk at 120 MHz, HSM 60 MHz, PLL0\_PHI at 400 MHz, XTAL at 40 MHz, FIRC 16 MHz ON, RCOSC1M off. FlexCAN: instances: 0, 1, 2, 3, 4, 5, 6, 7 ON (configured but no reception or transmission), Ethernet ON (configured but no reception or transmission), ADC ON (continuously converting). All others IPs clock-gated.
- Sysclk = RC16 MHz, RC16 MHz ON, RC1 MHz ON, PLL OFF. All possible peripherals off and clock gated. Flash in power down mode.
- STANDBY mode: device configured for minimum consumption, RC16 MHz off, RC1 MHz on.



11. SSWU1 mode adder: FIRC = ON, SSWU clocked at 8 MHz and running over all STANDBY period, ADC off. The total standby consumption can be obtained by adding this parameter to the IDDSTBY parameter for the selected memory size and temperature.
12. SSWU2 mode adder: FIRC = ON, SSWU clocked at 8 MHz and running over all STANDBY period, ADC on in continuous conversion. The total standby consumption can be obtained by adding this parameter to the IDDSTBY parameter for the selected memory size and temperature.

## 4.8 I/O pad specification

The following table describes the different pad type configurations.

**Table 9. I/O pad specification descriptions**

| Pad type                   | Description                                                                                                                                                                                                                                                                                                                                                                                                                                                                                                                                                                                                                                     |
|----------------------------|-------------------------------------------------------------------------------------------------------------------------------------------------------------------------------------------------------------------------------------------------------------------------------------------------------------------------------------------------------------------------------------------------------------------------------------------------------------------------------------------------------------------------------------------------------------------------------------------------------------------------------------------------|
| Weak configuration         | Provides a good compromise between transition time and low electromagnetic emission.                                                                                                                                                                                                                                                                                                                                                                                                                                                                                                                                                            |
| Medium configuration       | Provides transition fast enough for the serial communication channels with controlled current to reduce electromagnetic emission.                                                                                                                                                                                                                                                                                                                                                                                                                                                                                                               |
| Strong configuration       | Provides fast transition speed; used for fast interface.                                                                                                                                                                                                                                                                                                                                                                                                                                                                                                                                                                                        |
| Very strong configuration  | Provides maximum speed and controlled symmetric behavior for rise and fall transition. Used for fast interface including Ethernet interface requiring fine control of rising/falling edge jitter.                                                                                                                                                                                                                                                                                                                                                                                                                                               |
| Differential configuration | A few pads provide differential capability providing very fast interface together with good EMC performances.                                                                                                                                                                                                                                                                                                                                                                                                                                                                                                                                   |
| Input only pads            | These low input leakage pads are associated with the ADC channels.                                                                                                                                                                                                                                                                                                                                                                                                                                                                                                                                                                              |
| Standby pads               | These pads (LP pads) are active during STANDBY. They are configured in CMOS level logic and this configuration cannot be changed. Moreover, when the device enters the STANDBY mode, the pad-keeper feature is activated for LP pads. It means that: <ul style="list-style-type: none"> <li>– if the pad voltage level is above the pad keeper high threshold, a weak pull-up resistor is automatically enabled</li> <li>– if the pad voltage level is below the pad keeper low threshold, a weak pull-down resistor is automatically enabled.</li> </ul> For the pad-keeper high/low thresholds, consider $(VDD\_HV\_IO\_MAIN / 2) \pm 20\%$ . |

*Note:* Each I/O pin on the device supports specific drive configurations. See the signal description table in the device reference manual for the available drive configurations for each I/O pin. PMC\_DIG\_VSIO register has to be configured to select the voltage level (3.3 V or 5.0 V) for each IO segment.

*Logic level is configurable in running mode while it is CMOS not-configurable in STANDBY for LP (low power) pads, so if a LP pad is used to wakeup from STANDBY, it should be configured as CMOS also in running mode in order to prevent device wrong behavior in STANDBY.*

### 4.8.1 I/O input DC characteristics

The following table provides input DC electrical characteristics, as described in [Figure 3](#).

Figure 3. I/O input electrical characteristics

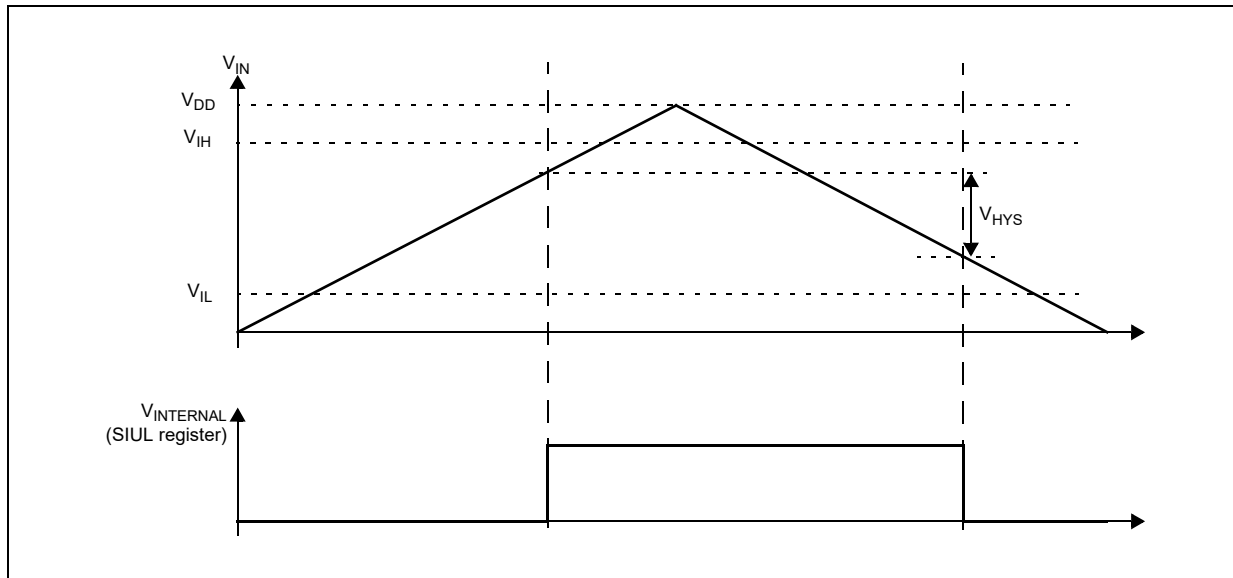


Table 10. I/O input electrical characteristics

| Symbol        | C  | Parameter | Conditions               | Value                                                  |                 |     | Unit                   |    |
|---------------|----|-----------|--------------------------|--------------------------------------------------------|-----------------|-----|------------------------|----|
|               |    |           |                          | Min                                                    | Typ             | Max |                        |    |
| <b>TTL</b>    |    |           |                          |                                                        |                 |     |                        |    |
| $V_{ihttl}$   | SR | P         | Input high level<br>TTL  | —                                                      | 2               | —   | $V_{DD\_HV\_IO} + 0.3$ | V  |
| $V_{ilttl}$   | SR | P         | Input low level<br>TTL   | —                                                      | -0.3            | —   | 0.8                    | V  |
| $V_{hysttl}$  | CC | C         | Input hysteresis<br>TTL  | —                                                      | 0.3             | —   | —                      | V  |
| <b>CMOS</b>   |    |           |                          |                                                        |                 |     |                        |    |
| $V_{ihcmos}$  | SR | P         | Input high level<br>CMOS | —                                                      | $0.65 * V_{DD}$ | —   | $V_{DD\_HV\_IO} + 0.3$ | V  |
| $V_{ilcmos}$  | SR | P         | Input low level<br>CMOS  | —                                                      | -0.3            | —   | $0.35 * V_{DD}$        | V  |
| $V_{hyscmos}$ | CC | C         | Input hysteresis<br>CMOS | —                                                      | $0.10 * V_{DD}$ | —   | —                      | V  |
| <b>COMMON</b> |    |           |                          |                                                        |                 |     |                        |    |
| $I_{LKG}$     | CC | P         | Pad input<br>leakage     | INPUT-ONLY pads<br>$T_J = 150\text{ }^\circ\text{C}$   | —               | —   | 200                    | nA |
| $I_{LKG}$     | CC | P         | Pad input<br>leakage     | STRONG pads<br>$T_J = 150\text{ }^\circ\text{C}$       | —               | —   | 1,000                  | nA |
| $I_{LKG}$     | CC | P         | Pad input<br>leakage     | VERY STRONG pads,<br>$T_J = 150\text{ }^\circ\text{C}$ | —               | —   | 1,000                  | nA |

**Table 10. I/O input electrical characteristics (continued)**

| Symbol             | C  | Parameter | Conditions                                               | Value                                                 |     |     | Unit |    |
|--------------------|----|-----------|----------------------------------------------------------|-------------------------------------------------------|-----|-----|------|----|
|                    |    |           |                                                          | Min                                                   | Typ | Max |      |    |
| C <sub>P1</sub>    | CC | D         | Pad capacitance                                          | —                                                     | —   | 10  | pF   |    |
| V <sub>drift</sub> | CC | D         | Input V <sub>il</sub> /V <sub>ih</sub> temperature drift | In a 1 ms period, with a temperature variation <30 °C | —   | —   | 100  | mV |
| W <sub>FI</sub>    | SR | C         | Wakeup input filtered pulse <sup>(1)</sup>               | —                                                     | —   | —   | 20   | ns |
| W <sub>NFI</sub>   | SR | C         | Wakeup input not filtered pulse <sup>(1)</sup>           | —                                                     | 400 | —   | —    | ns |

1. In the range from W<sub>FI</sub> (max) to W<sub>NFI</sub> (min), pulses can be filtered or not filtered, according to operating temperature and voltage. Refer to the device pinout IO definition excel file for the list of pins supporting the wakeup filter feature.

**Table 11. I/O pull-up/pull-down electrical characteristics**

| Symbol           | C  | Parameter | Conditions                            | Value                                                         |     |     | Unit |    |
|------------------|----|-----------|---------------------------------------|---------------------------------------------------------------|-----|-----|------|----|
|                  |    |           |                                       | Min                                                           | Typ | Max |      |    |
| I <sub>WPU</sub> | CC | T         | Weak pull-up current absolute value   | V <sub>IN</sub> = 1.1 V <sup>(1)</sup>                        | —   | —   | 130  | μA |
|                  |    |           |                                       | V <sub>IN</sub> = 0.69 * V <sub>DD_HV_IO</sub> <sup>(2)</sup> | 15  | —   | —    |    |
| R <sub>WPU</sub> | CC | D         | Weak Pull-up resistance               | V <sub>DD_HV_IO</sub> = 5.0 V ± 10%                           | 33  | —   | 93   | KΩ |
| R <sub>WPU</sub> | CC | D         | Weak Pull-up resistance               | V <sub>DD_HV_IO</sub> = 3.3 V ± 10%                           | 19  | —   | 62   | KΩ |
| I <sub>WPD</sub> | CC | T         | Weak pull-down current absolute value | V <sub>IN</sub> = 0.69 * V <sub>DD_HV_IO</sub> <sup>(1)</sup> | —   | —   | 130  | μA |
|                  |    |           |                                       | V <sub>IN</sub> = 0.9 V <sup>(2)</sup>                        | 15  | —   | —    |    |
| R <sub>WPD</sub> | CC | D         | Weak Pull-down resistance             | V <sub>DD_HV_IO</sub> = 5.0 V ± 10%                           | 29  | —   | 60   | KΩ |
| R <sub>WPD</sub> | CC | D         | Weak Pull-down resistance             | V <sub>DD_HV_IO</sub> = 3.3 V ± 10%                           | 19  | —   | 60   | KΩ |

1. Maximum current when forcing a change in the pin level opposite to the pull configuration.

2. Minimum current when keeping the same pin level state than the pull configuration.

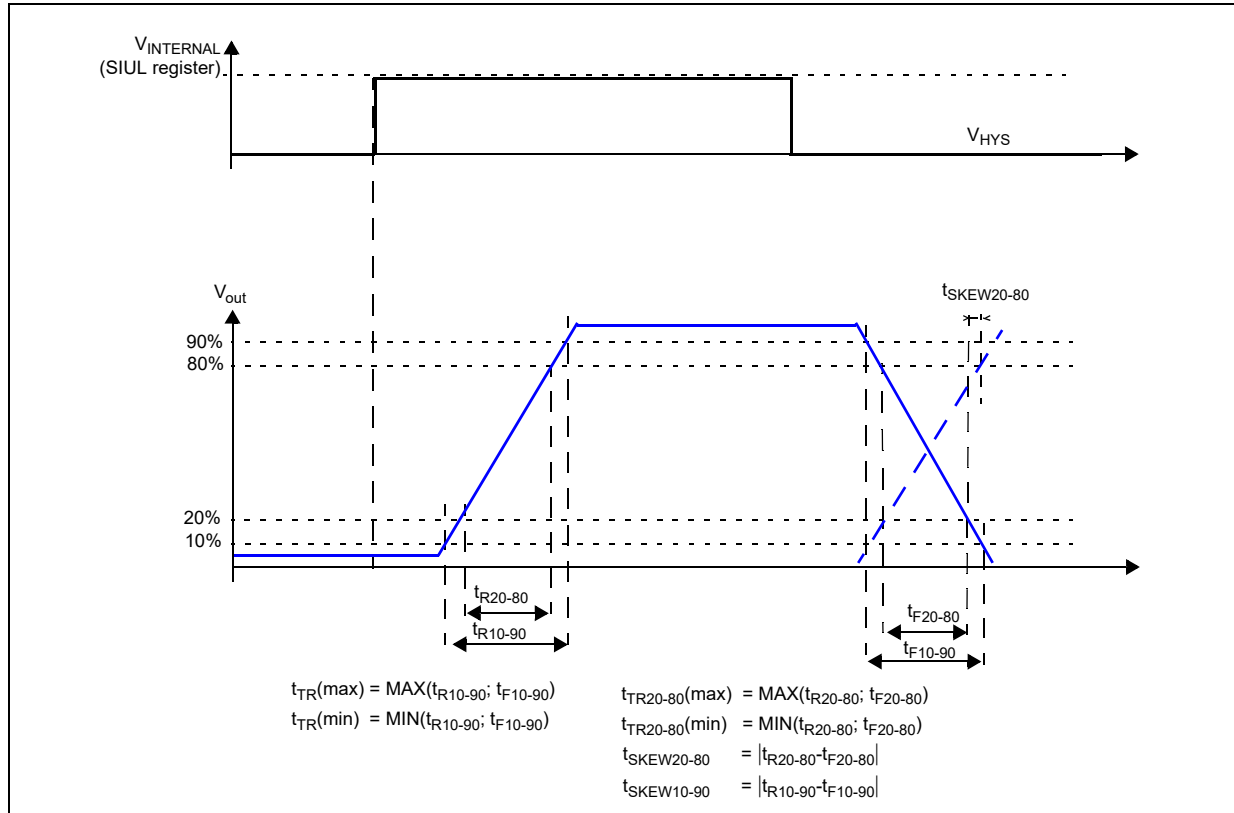
**Note:** When the device enters into standby mode, the LP pads have the input buffer switched-on. As a consequence, if the pad input voltage V<sub>IN</sub> is V<sub>SS</sub> < V<sub>IN</sub> < V<sub>DD\_HV</sub>, an additional consumption can be measured in the V<sub>DD\_HV</sub> domain. The highest consumption can be seen around mid-range (V<sub>IN</sub> ≈ V<sub>DD\_HV</sub>/2), 2-3 mA depending on process, voltage and temperature.

This situation may occur if the PAD is used as a ADC input channel, and  $V_{SS} < V_{IN} < V_{DD\_HV}$ . The applications should ensure that LP pads are always set to VDD\_HV or VSS, to avoid the extra consumption. Refer to the device pinout IO definition excel file to identify the low-power pads which also have an ADC function.

### 4.8.2 I/O output DC characteristics

Figure 4 provides description of output DC electrical characteristics.

Figure 4. I/O output DC electrical characteristics definition



The following tables provide DC characteristics for bidirectional pads:

- [Table 12](#) provides output driver characteristics for I/O pads when in WEAK/SLOW configuration.
- [Table 13](#) provides output driver characteristics for I/O pads when in MEDIUM configuration.
- [Table 14](#) provides output driver characteristics for I/O pads when in STRONG/FAST configuration.
- [Table 15](#) provides output driver characteristics for I/O pads when in VERY STRONG/VERY FAST configuration.

Note: 10 %/90 % is the default condition for any parameter if not explicitly mentioned differently.

**Table 12. WEAK/SLOW I/O output characteristics**

| Symbol          | C  | Parameter | Conditions                                                                                                                                             | Value              |     |                    | Unit     |
|-----------------|----|-----------|--------------------------------------------------------------------------------------------------------------------------------------------------------|--------------------|-----|--------------------|----------|
|                 |    |           |                                                                                                                                                        | Min                | Typ | Max                |          |
| $V_{ol\_W}$     | CC | D         | Output low voltage for Weak type PADs<br>$I_{ol} = 0.5 \text{ mA}$<br>$V_{DD} = 5.0 \text{ V} \pm 10 \%$<br>$V_{DD} = 3.3 \text{ V} \pm 10 \%$         | —                  | —   | $0.1 \cdot V_{DD}$ | V        |
| $V_{oh\_W}$     | CC | D         | Output high voltage for Weak type PADs<br>$I_{oh} = 0.5 \text{ mA}$<br>$V_{DD} = 5.0 \text{ V} \pm 10 \%$<br>$V_{DD} = 3.3 \text{ V} \pm 10 \%$        | $0.9 \cdot V_{DD}$ | —   | —                  | V        |
| $R_{\_W}$       | CC | P         | Output impedance for Weak type PADs<br>$V_{DD} = 5.0 \text{ V} \pm 10 \%$<br>$V_{DD} = 3.3 \text{ V} \pm 10 \%$                                        | 380                | —   | 1040               | $\Omega$ |
|                 |    |           |                                                                                                                                                        | 250                | —   | 700                |          |
| $F_{max\_W}$    | CC | T         | Maximum output frequency for Weak type PADs<br>$CL = 25 \text{ pF}$<br>$V_{DD} = 5.0 \text{ V} \pm 10 \%$<br>$V_{DD} = 3.3 \text{ V} \pm 10 \%$        | —                  | —   | 2                  | MHz      |
|                 |    |           |                                                                                                                                                        | —                  | —   | 1                  | MHz      |
| $t_{TR\_W}$     | CC | T         | Transition time output pin weak configuration, 10%-90%<br>$CL = 25 \text{ pF}$<br>$V_{DD} = 5.0 \text{ V} + 10 \%$<br>$V_{DD} = 3.3 \text{ V} + 10 \%$ | 25                 | —   | 120                | ns       |
|                 |    |           |                                                                                                                                                        | 50                 | —   | 240                | ns       |
| $ t_{SKEW\_W} $ | CC | T         | Difference between rise and fall time, 90%-10%                                                                                                         | —                  | —   | 25                 | %        |
| $I_{DCMAX\_W}$  | CC | D         | Maximum DC current<br>$V_{DD} = 5.0 \text{ V} \pm 10 \%$<br>$V_{DD} = 3.3 \text{ V} \pm 10 \%$                                                         | —                  | —   | 0.5                | mA       |

**Table 13. MEDIUM I/O output characteristics**

| Symbol      | C  | Parameter | Conditions                                                                                                                                        | Value              |     |                    | Unit |
|-------------|----|-----------|---------------------------------------------------------------------------------------------------------------------------------------------------|--------------------|-----|--------------------|------|
|             |    |           |                                                                                                                                                   | Min                | Typ | Max                |      |
| $V_{ol\_M}$ | CC | D         | Output low voltage for Medium type PADs<br>$I_{ol} = 2.0 \text{ mA}$<br>$V_{DD} = 5.0 \text{ V} \pm 10 \%$<br>$V_{DD} = 3.3 \text{ V} \pm 10 \%$  | —                  | —   | $0.1 \cdot V_{DD}$ | V    |
| $V_{oh\_M}$ | CC | D         | Output high voltage for Medium type PADs<br>$I_{oh} = 2.0 \text{ mA}$<br>$V_{DD} = 5.0 \text{ V} \pm 10 \%$<br>$V_{DD} = 3.3 \text{ V} \pm 10 \%$ | $0.9 \cdot V_{DD}$ | —   | —                  | V    |

Table 13. MEDIUM I/O output characteristics (continued)

| Symbol               | C  | Parameter | Conditions                                               | Value                                                                          |     |     | Unit |     |
|----------------------|----|-----------|----------------------------------------------------------|--------------------------------------------------------------------------------|-----|-----|------|-----|
|                      |    |           |                                                          | Min                                                                            | Typ | Max |      |     |
| R <sub>M</sub>       | CC | P         | Output impedance for Medium type PADs                    | V <sub>DD</sub> = 5.0 V ± 10 %                                                 | 90  | —   | 260  | Ω   |
|                      |    |           |                                                          | V <sub>DD</sub> = 3.3 V ± 10 %                                                 | 60  | —   | 170  |     |
| F <sub>max_M</sub>   | CC | T         | Maximum output frequency for Medium type PADs            | CL = 25 pF<br>V <sub>DD</sub> = 5.0 V ± 10 %<br>V <sub>DD</sub> = 3.3 V ± 10 % | —   | —   | 12   | MHz |
|                      |    |           |                                                          | CL = 50 pF<br>V <sub>DD</sub> = 5.0 V ± 10 %<br>V <sub>DD</sub> = 3.3 V ± 10 % | —   | —   | 6    | MHz |
| t <sub>TR_M</sub>    | CC | T         | Transition time output pin MEDIUM configuration, 10%-90% | CL = 25 pF<br>V <sub>DD</sub> = 5.0 V ± 10 %<br>V <sub>DD</sub> = 3.3 V ± 10 % | 8   | —   | 30   | ns  |
|                      |    |           |                                                          | CL = 50 pF<br>V <sub>DD</sub> = 5.0 V ± 10 %<br>V <sub>DD</sub> = 3.3 V ± 10 % | 12  | —   | 60   | ns  |
| t <sub>SKEW_M</sub>  | CC | T         | Difference between rise and fall time, 90%-10%           | —                                                                              | —   | —   | 25   | %   |
| I <sub>DCMAX_M</sub> | CC | D         | Maximum DC current                                       | V <sub>DD</sub> = 5.0 V ± 10 %<br>V <sub>DD</sub> = 3.3 V ± 10 %               | —   | —   | 2    | mA  |

Table 14. STRONG/FAST I/O output characteristics

| Symbol            | C  | Parameter | Conditions                               | Value                                                      |                      |     | Unit                 |   |
|-------------------|----|-----------|------------------------------------------|------------------------------------------------------------|----------------------|-----|----------------------|---|
|                   |    |           |                                          | Min                                                        | Typ                  | Max |                      |   |
| V <sub>ol_S</sub> | CC | D         | Output low voltage for Strong type PADs  | I <sub>ol</sub> = 8.0 mA<br>V <sub>DD</sub> = 5.0 V ± 10 % | —                    | —   | 0.1*V <sub>DD</sub>  | V |
|                   |    |           |                                          | I <sub>ol</sub> = 5.5 mA<br>V <sub>DD</sub> = 3.3 V ± 10 % | —                    | —   | 0.15*V <sub>DD</sub> | V |
| V <sub>oh_S</sub> | CC | D         | Output high voltage for Strong type PADs | I <sub>oh</sub> = 8.0 mA<br>V <sub>DD</sub> = 5.0 V ± 10 % | 0.9*V <sub>DD</sub>  | —   | —                    | V |
|                   |    |           |                                          | I <sub>oh</sub> = 5.5 mA<br>V <sub>DD</sub> = 3.3 V ± 10 % | 0.85*V <sub>DD</sub> | —   | —                    | V |
| R <sub>S</sub>    | CC | P         | Output impedance for Strong type PADs    | V <sub>DD</sub> = 5.0 V ± 10 %                             | 20                   | —   | 65                   | Ω |
|                   |    |           |                                          | V <sub>DD</sub> = 3.3 V ± 10 %                             | 28                   | —   | 90                   |   |

**Table 14. STRONG/FAST I/O output characteristics (continued)**

| Symbol               | C  | Parameter | Conditions                                               | Value                                        |     |     | Unit |     |
|----------------------|----|-----------|----------------------------------------------------------|----------------------------------------------|-----|-----|------|-----|
|                      |    |           |                                                          | Min                                          | Typ | Max |      |     |
| F <sub>max_S</sub>   | CC | T         | Maximum output frequency for Strong type PADs            | CL = 25 pF<br>V <sub>DD</sub> =5.0 V ± 10 %  | —   | —   | 50   | MHz |
|                      |    |           |                                                          | CL = 50 pF<br>V <sub>DD</sub> =5.0 V ± 10 %  | —   | —   | 25   | MHz |
|                      |    |           |                                                          | CL = 25 pF<br>V <sub>DD</sub> = 3.3 V ± 10 % | —   | —   | 25   | MHz |
|                      |    |           |                                                          | CL = 50 pF<br>V <sub>DD</sub> = 3.3 V ± 10 % | —   | —   | 12.5 | MHz |
| t <sub>TR_S</sub>    | CC | T         | Transition time output pin STRONG configuration, 10%-90% | CL = 25 pF<br>V <sub>DD</sub> = 5.0 V ± 10 % | 3   | —   | 10   | ns  |
|                      |    |           |                                                          | CL = 50 pF<br>V <sub>DD</sub> = 5.0 V ± 10 % | 5   | —   | 16   |     |
|                      |    |           |                                                          | CL = 25 pF<br>V <sub>DD</sub> = 3.3 V ± 10 % | 1.5 | —   | 15   |     |
|                      |    |           |                                                          | CL = 50 pF<br>V <sub>DD</sub> = 3.3 V ± 10 % | 2.5 | —   | 26   |     |
| I <sub>DCMAX_S</sub> | CC | D         | Maximum DC current                                       | V <sub>DD</sub> = 5 V ± 10 %                 | —   | —   | 8    | mA  |
|                      |    |           |                                                          | V <sub>DD</sub> = 3.3 V ± 10 %               | —   | —   | 5.5  |     |
| t <sub>SKEW_S</sub>  | CC | T         | Difference between rise and fall time, 90 %-10 %         | —                                            | —   | —   | 25   | %   |

**Table 15. VERY STRONG/VERY FAST I/O output characteristics**

| Symbol            | C  | Parameter | Conditions                                    | Value                                                      |                      |     | Unit                 |   |
|-------------------|----|-----------|-----------------------------------------------|------------------------------------------------------------|----------------------|-----|----------------------|---|
|                   |    |           |                                               | Min                                                        | Typ                  | Max |                      |   |
| V <sub>ol_V</sub> | CC | D         | Output low voltage for Very Strong type PADs  | I <sub>ol</sub> = 9.0 mA<br>V <sub>DD</sub> =5.0 V ± 10 %  | —                    | —   | 0.1*V <sub>DD</sub>  | V |
|                   |    |           |                                               | I <sub>ol</sub> = 9.0 mA<br>V <sub>DD</sub> =3.3 V ± 10 %  | —                    | —   | 0.15*V <sub>DD</sub> | V |
| V <sub>oh_V</sub> | CC | D         | Output high voltage for Very Strong type PADs | I <sub>oh</sub> = 9.0 mA<br>V <sub>DD</sub> = 5.0 V ± 10 % | 0.9*V <sub>DD</sub>  | —   | —                    | V |
|                   |    |           |                                               | I <sub>oh</sub> = 9.0 mA<br>V <sub>DD</sub> = 3.3 V ± 10 % | 0.85*V <sub>DD</sub> | —   | —                    | V |
| R <sub>V</sub>    | CC | P         | Output impedance for Very Strong type PADs    | V <sub>DD</sub> = 5.0 V ± 10 %                             | 20                   | —   | 60                   | Ω |
|                   |    |           |                                               | V <sub>DD</sub> = 3.3 V ± 10 %                             | 18                   | —   | 50                   |   |



Table 15. VERY STRONG/VERY FAST I/O output characteristics (continued)

| Symbol                  | C  | Parameter | Conditions                                                                                    | Value                                                                |      |     | Unit |     |
|-------------------------|----|-----------|-----------------------------------------------------------------------------------------------|----------------------------------------------------------------------|------|-----|------|-----|
|                         |    |           |                                                                                               | Min                                                                  | Typ  | Max |      |     |
| $F_{\max\_V}$           | CC | T         | Maximum output frequency for Very Strong type PADs                                            | CL = 25 pF<br>$V_{DD} = 5.0\text{ V} \pm 10\%$                       | —    | —   | 50   | MHz |
|                         |    |           |                                                                                               | CL = 50 pF<br>$V_{DD} = 5.0\text{ V} \pm 10\%$                       | —    | —   | 25   | MHz |
|                         |    |           |                                                                                               | CL = 25 pF<br>$V_{DD} = 3.3\text{ V} \pm 10\%$                       | —    | —   | 50   | MHz |
|                         |    |           |                                                                                               | CL = 50 pF<br>$V_{DD} = 3.3\text{ V} \pm 10\%$                       | —    | —   | 25   | MHz |
| $t_{TR\_V}$             | CC | T         | 10–90% threshold transition time output pin VERY STRONG configuration                         | CL = 25 pF<br>$V_{DD} = 5.0\text{ V} \pm 10\%$                       | 1    | —   | 6    | ns  |
|                         |    |           |                                                                                               | CL = 50 pF<br>$V_{DD} = 5.0\text{ V} \pm 10\%$                       | 3    | —   | 12   |     |
|                         |    |           |                                                                                               | CL = 25 pF<br>$V_{DD} = 3.3\text{ V} \pm 10\%$                       | 1.5  | —   | 6    |     |
|                         |    |           |                                                                                               | CL = 50 pF<br>$V_{DD} = 3.3\text{ V} \pm 10\%$                       | 3    | —   | 11   |     |
| $t_{TR20-80\_V}$        | CC | T         | 20–80% threshold transition time output pin VERY STRONG configuration                         | CL = 25 pF<br>$V_{DD} = 5.0\text{ V} \pm 10\%$                       | 0.8  | —   | 4.5  | ns  |
|                         |    |           |                                                                                               | CL = 15 pF<br>$V_{DD} = 3.3\text{ V} \pm 10\%$                       | 1    | —   | 4.5  |     |
| $t_{TRTTL\_V}$          | CC | T         | TTL threshold transition time for output pin in VERY STRONG configuration (Ethernet standard) | CL = 25 pF<br>$V_{DD} = 3.3\text{ V} \pm 10\%$                       | 0.88 | —   | 5    | ns  |
| $\Sigma t_{TR20-80\_V}$ | CC | T         | Sum of transition time 20–80% output pin VERY STRONG configuration                            | CL = 25 pF<br>$V_{DD} = 5.0\text{ V} \pm 10\%$                       | —    | —   | 9    | ns  |
|                         |    |           |                                                                                               | CL = 15 pF<br>$V_{DD} = 3.3\text{ V} \pm 10\%$                       | —    | —   | 9    |     |
| $ t_{SKEW\_V} $         | CC | T         | Difference between rise and fall delay                                                        | CL = 25 pF<br>$V_{DD} = 5.0\text{ V} \pm 10\%$                       | 0    | —   | 1.2  | ns  |
| $I_{DCMAX\_V}$          | CC | D         | Maximum DC current                                                                            | $V_{DD} = 5.0\text{ V} \pm 10\%$<br>$V_{DD} = 3.3\text{ V} \pm 10\%$ | —    | —   | 9    | mA  |

### 4.8.3 I/O pad current specifications

The I/O pads are distributed across the I/O supply segment. Each I/O supply segment is associated to a  $V_{DD}/V_{SS}$  supply pair as described in the device pinout Microsoft Excel file attached to the IO\_Definition document.

Table 16 provides I/O consumption figures.

In order to ensure device reliability, the average current of the I/O on a single segment should remain below the  $I_{RMSSEG}$  maximum value.

In order to ensure device functionality, the sum of the dynamic and static current of the I/O on a single segment should remain below the  $I_{DYNSEG}$  maximum value.

Pad mapping on each segment can be optimized using the pad usage information provided on the I/O Signal Description table.

**Table 16. I/O consumption**

| Symbol                                   | C  | Parameter | Conditions                                            | Value <sup>(1)</sup>                                                  |     |     | Unit |    |
|------------------------------------------|----|-----------|-------------------------------------------------------|-----------------------------------------------------------------------|-----|-----|------|----|
|                                          |    |           |                                                       | Min                                                                   | Typ | Max |      |    |
| <b>Average consumption<sup>(2)</sup></b> |    |           |                                                       |                                                                       |     |     |      |    |
| $I_{RMSSEG}$                             | SR | D         | Sum of all the DC I/O current within a supply segment | —                                                                     | —   | 80  | mA   |    |
| $I_{RMS\_W}$                             | CC | D         | RMS I/O current for WEAK configuration                | $C_L = 25\text{ pF}, 2\text{ MHz}, V_{DD} = 5.0\text{ V} \pm 10\%$    | —   | —   | 1.1  | mA |
|                                          |    |           |                                                       | $C_L = 50\text{ pF}, 1\text{ MHz}, V_{DD} = 5.0\text{ V} \pm 10\%$    | —   | —   | 1.1  |    |
|                                          |    |           |                                                       | $C_L = 25\text{ pF}, 2\text{ MHz}, V_{DD} = 3.3\text{ V} \pm 10\%$    | —   | —   | 1.0  |    |
|                                          |    |           |                                                       | $C_L = 25\text{ pF}, 1\text{ MHz}, V_{DD} = 3.3\text{ V} \pm 10\%$    | —   | —   | 1.0  |    |
| $I_{RMS\_M}$                             | CC | D         | RMS I/O current for MEDIUM configuration              | $C_L = 25\text{ pF}, 12\text{ MHz}, V_{DD} = 5.0\text{ V} \pm 10\%$   | —   | —   | 5.5  | mA |
|                                          |    |           |                                                       | $C_L = 50\text{ pF}, 6\text{ MHz}, V_{DD} = 5.0\text{ V} \pm 10\%$    | —   | —   | 5.5  |    |
|                                          |    |           |                                                       | $C_L = 25\text{ pF}, 12\text{ MHz}, V_{DD} = 3.3\text{ V} \pm 10\%$   | —   | —   | 4.2  |    |
|                                          |    |           |                                                       | $C_L = 25\text{ pF}, 6\text{ MHz}, V_{DD} = 3.3\text{ V} \pm 10\%$    | —   | —   | 4.2  |    |
| $I_{RMS\_S}$                             | CC | D         | RMS I/O current for STRONG configuration              | $C_L = 25\text{ pF}, 50\text{ MHz}, V_{DD} = 5.0\text{ V} \pm 10\%$   | —   | —   | 21   | mA |
|                                          |    |           |                                                       | $C_L = 50\text{ pF}, 25\text{ MHz}, V_{DD} = 5.0\text{ V} \pm 10\%$   | —   | —   | 21   |    |
|                                          |    |           |                                                       | $C_L = 25\text{ pF}, 25\text{ MHz}, V_{DD} = 3.3\text{ V} \pm 10\%$   | —   | —   | 10   |    |
|                                          |    |           |                                                       | $C_L = 25\text{ pF}, 12.5\text{ MHz}, V_{DD} = 3.3\text{ V} \pm 10\%$ | —   | —   | 10   |    |

Table 16. I/O consumption (continued)

| Symbol                                   | C  | Parameter | Conditions                                                        | Value <sup>(1)</sup>                                           |     |     | Unit |    |
|------------------------------------------|----|-----------|-------------------------------------------------------------------|----------------------------------------------------------------|-----|-----|------|----|
|                                          |    |           |                                                                   | Min                                                            | Typ | Max |      |    |
| I <sub>RMS_V</sub>                       | CC | D         | RMS I/O current for VERY STRONG configuration                     | C <sub>L</sub> = 25 pF, 50 MHz, V <sub>DD</sub> = 5.0 V ± 10 % | —   | —   | 23   | mA |
|                                          |    |           |                                                                   | C <sub>L</sub> = 50 pF, 25 MHz, V <sub>DD</sub> = 5.0 V ± 10 % | —   | —   | 23   |    |
|                                          |    |           |                                                                   | C <sub>L</sub> = 25 pF, 50 MHz, V <sub>DD</sub> = 3.3 V ± 10 % | —   | —   | 16   |    |
|                                          |    |           |                                                                   | C <sub>L</sub> = 25 pF, 25 MHz, V <sub>DD</sub> = 3.3 V ± 10 % | —   | —   | 16   |    |
| <b>Dynamic consumption<sup>(3)</sup></b> |    |           |                                                                   |                                                                |     |     |      |    |
| I <sub>DYN_SEG</sub>                     | SR | D         | Sum of all the dynamic and DC I/O current within a supply segment | V <sub>DD</sub> = 5.0 V ± 10 %                                 | —   | —   | 195  | mA |
|                                          |    |           |                                                                   | V <sub>DD</sub> = 3.3 V ± 10 %                                 | —   | —   | 150  |    |
| I <sub>DYN_W</sub>                       | CC | D         | Dynamic I/O current for WEAK configuration                        | C <sub>L</sub> = 25 pF, V <sub>DD</sub> = 5.0 V ± 10 %         | —   | —   | 16.7 | mA |
|                                          |    |           |                                                                   | C <sub>L</sub> = 50 pF, V <sub>DD</sub> = 5.0 V ± 10 %         | —   | —   | 16.8 |    |
|                                          |    |           |                                                                   | C <sub>L</sub> = 25 pF, V <sub>DD</sub> = 3.3 V ± 10 %         | —   | —   | 12.9 |    |
|                                          |    |           |                                                                   | C <sub>L</sub> = 50 pF, V <sub>DD</sub> = 3.3 V ± 10 %         | —   | —   | 12.9 |    |
| I <sub>DYN_M</sub>                       | CC | D         | Dynamic I/O current for MEDIUM configuration                      | C <sub>L</sub> = 25 pF, V <sub>DD</sub> = 5.0 V ± 10 %         | —   | —   | 18.2 | mA |
|                                          |    |           |                                                                   | C <sub>L</sub> = 50 pF, V <sub>DD</sub> = 5.0 V ± 10 %         | —   | —   | 18.4 |    |
|                                          |    |           |                                                                   | C <sub>L</sub> = 25 pF, V <sub>DD</sub> = 3.3 V ± 10 %         | —   | —   | 14.3 |    |
|                                          |    |           |                                                                   | C <sub>L</sub> = 50 pF, V <sub>DD</sub> = 3.3 V ± 10 %         | —   | —   | 16.4 |    |
| I <sub>DYN_S</sub>                       | CC | D         | Dynamic I/O current for STRONG configuration                      | C <sub>L</sub> = 25 pF, V <sub>DD</sub> = 5.0 V ± 10 %         | —   | —   | 57   | mA |
|                                          |    |           |                                                                   | C <sub>L</sub> = 50 pF, V <sub>DD</sub> = 5.0 V ± 10 %         | —   | —   | 63.5 |    |
|                                          |    |           |                                                                   | C <sub>L</sub> = 25 pF, V <sub>DD</sub> = 3.3 V ± 10 %         | —   | —   | 31   |    |
|                                          |    |           |                                                                   | C <sub>L</sub> = 50 pF, V <sub>DD</sub> = 3.3 V ± 10 %         | —   | —   | 33.5 |    |

Table 16. I/O consumption (continued)

| Symbol             | C  | Parameter | Conditions                                        | Value <sup>(1)</sup>                                   |     |     | Unit |    |
|--------------------|----|-----------|---------------------------------------------------|--------------------------------------------------------|-----|-----|------|----|
|                    |    |           |                                                   | Min                                                    | Typ | Max |      |    |
| I <sub>DYN_V</sub> | CC | D         | Dynamic I/O current for VERY STRONG configuration | C <sub>L</sub> = 25 pF, V <sub>DD</sub> = 5.0 V ± 10 % | —   | —   | 62   | mA |
|                    |    |           |                                                   | C <sub>L</sub> = 50 pF, V <sub>DD</sub> = 5.0 V ± 10 % | —   | —   | 70   |    |
|                    |    |           |                                                   | C <sub>L</sub> = 25 pF, V <sub>DD</sub> = 3.3 V ± 10 % | —   | —   | 52   |    |
|                    |    |           |                                                   | C <sub>L</sub> = 50 pF, V <sub>DD</sub> = 3.3 V ± 10 % | —   | —   | 55   |    |

- I/O current consumption specifications for the  $4.5\text{ V} \leq V_{DD\_HV\_IO} \leq 5.5\text{ V}$  range are valid for VSIO\_[VSIO\_xx] = 1, and VSIO\_[VSIO\_xx] = 0 for  $3.0\text{ V} \leq V_{DD\_HV\_IO} \leq 3.6\text{ V}$ .
- Average consumption in one pad toggling cycle.
- Stated maximum values represent peak consumption that lasts only a few ns during I/O transition. When possible (timed output) it is recommended to delay transition between pads by few cycles to reduce noise and consumption.

## 4.9 Reset pad (PORST) electrical characteristics

The device implements dedicated bidirectional reset pins as below specified.  $\overline{\text{PORST}}$  pin does not require active control. It is possible to implement an external pull-up to ensure correct reset exit sequence. Recommended value is 4.7 K $\Omega$ .

Figure 5. Startup reset requirements

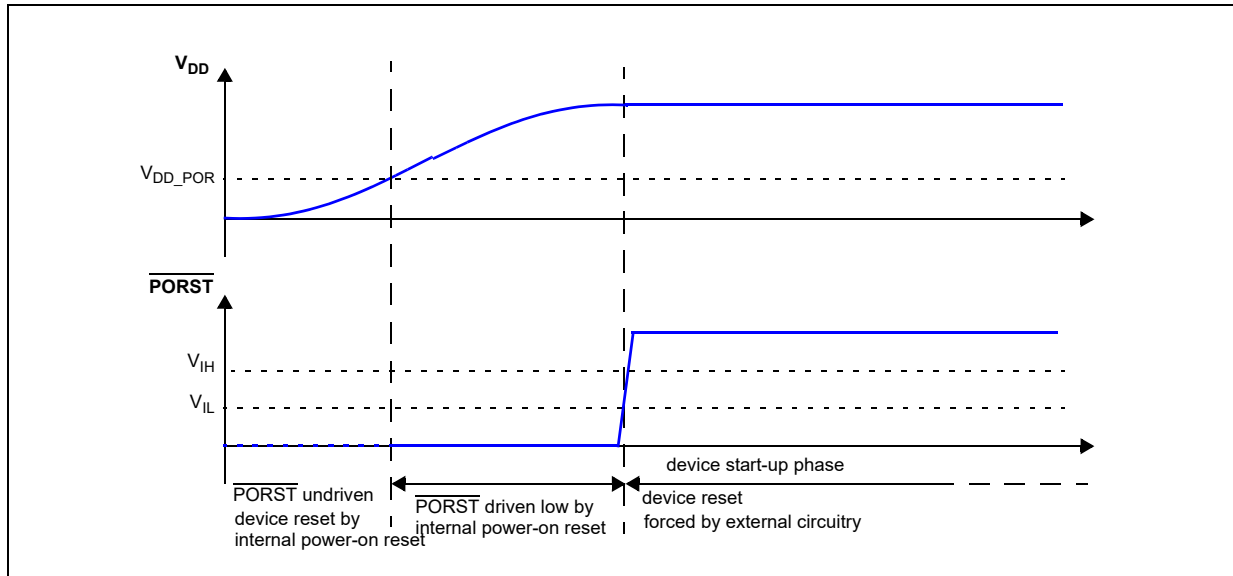


Figure 6 describes device behavior depending on supply signal on PORST:

1.  $\overline{\text{PORST}}$  low pulse has too low amplitude: it is filtered by input buffer hysteresis. Device remains in current state.
2.  $\overline{\text{PORST}}$  low pulse has too short duration: it is filtered by low pass filter. Device remains in current state.
3.  $\overline{\text{PORST}}$  low pulse is generating a reset:
  - a)  $\overline{\text{PORST}}$  low but initially filtered during at least WFRST. Device remains initially in current state.
  - b)  $\overline{\text{PORST}}$  potentially filtered until WNFRST. Device state is unknown. It may either be reset or remains in current state depending on extra condition (temperature, voltage, device).
  - c)  $\overline{\text{PORST}}$  asserted for longer than WNFRST. Device is under reset.

Figure 6. Noise filtering on reset signal

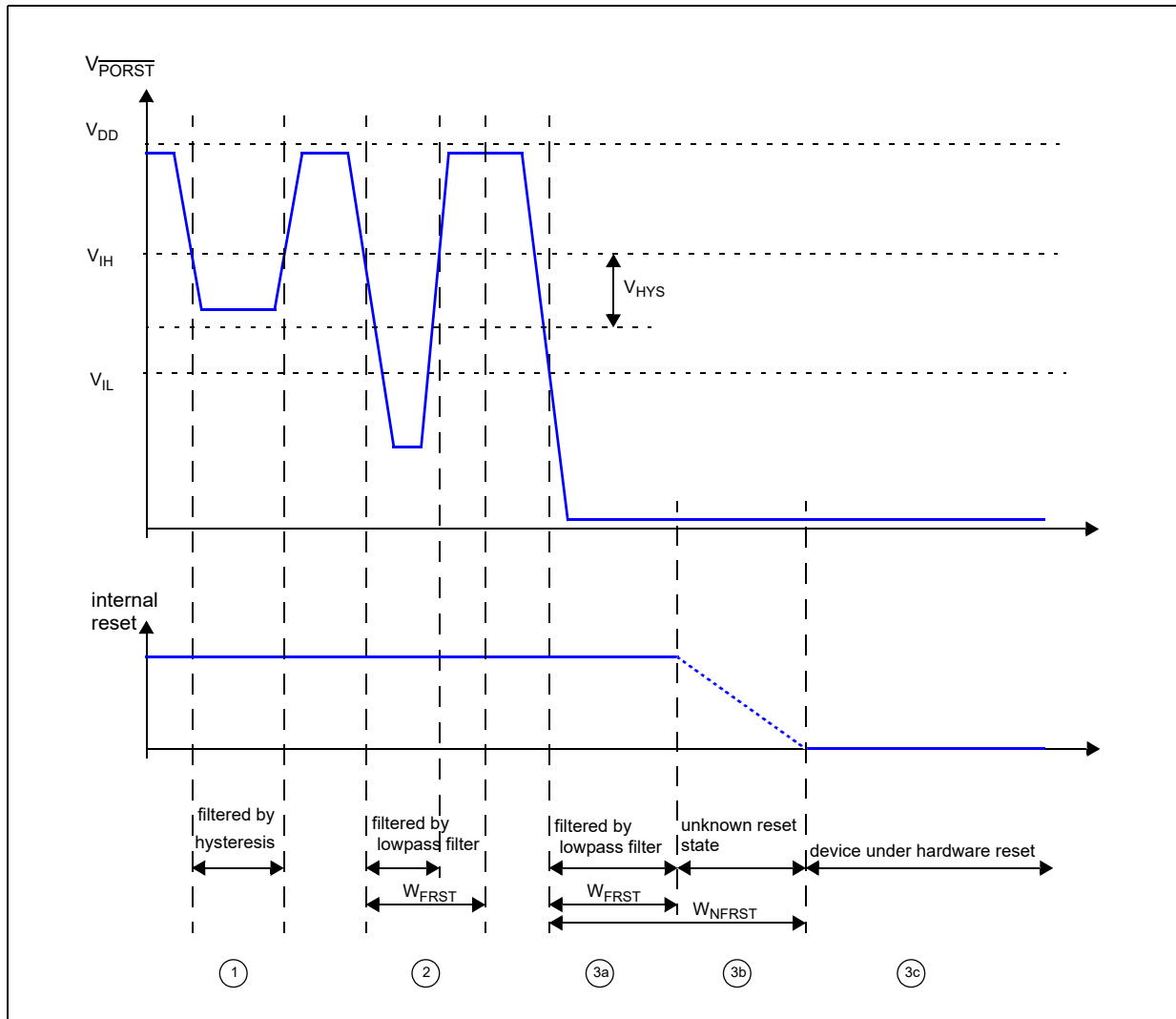


Table 17. Reset PAD electrical characteristics

| Symbol        | C  | Parameter | Conditions                                            | Value                                                                        |      |     | Unit                   |   |
|---------------|----|-----------|-------------------------------------------------------|------------------------------------------------------------------------------|------|-----|------------------------|---|
|               |    |           |                                                       | Min                                                                          | Typ  | Max |                        |   |
| $V_{IHRES}$   | SR | P         | Input high level<br>TTL                               | $V_{DD\_HV} = 5.0\text{ V} \pm 10\%$<br>$V_{DD\_HV} = 3.3\text{ V} \pm 10\%$ | 2    | —   | $V_{DD\_HV\_IO} + 0.3$ | V |
| $V_{ILRES}$   | SR | P         | Input low level<br>TTL                                | $V_{DD\_HV} = 5.0\text{ V} \pm 10\%$                                         | -0.3 | —   | 0.8                    | V |
|               |    |           |                                                       | $V_{DD\_HV} = 3.3\text{ V} \pm 10\%$                                         | -0.3 | —   | 0.6                    |   |
| $V_{HYSRES}$  | CC | C         | Input hysteresis<br>TTL                               | $V_{DD\_HV} = 5.0\text{ V} \pm 10\%$                                         | 0.3  | —   | —                      | V |
|               |    |           |                                                       | $V_{DD\_HV} = 3.3\text{ V} \pm 10\%$                                         | 0.2  | —   | —                      |   |
| $V_{DD\_POR}$ | CC | D         | Minimum supply<br>for strong pull-<br>down activation | $V_{DD\_HV} = 5.0\text{ V} \pm 10\%$                                         | —    | —   | 1.6                    | V |
|               |    |           |                                                       | $V_{DD\_HV} = 3.3\text{ V} \pm 10\%$                                         | —    | —   | 1.05                   |   |

**Table 17. Reset PAD electrical characteristics (continued)**

| Symbol             | C  | Parameter | Conditions                              | Value                                                                                                 |      |     | Unit |    |
|--------------------|----|-----------|-----------------------------------------|-------------------------------------------------------------------------------------------------------|------|-----|------|----|
|                    |    |           |                                         | Min                                                                                                   | Typ  | Max |      |    |
| I <sub>OL_R</sub>  | CC | P         | Strong pull-down current <sup>(1)</sup> | V <sub>DD_HV</sub> = 5.0 V ± 10 %                                                                     | 12   | —   | —    | mA |
|                    |    |           |                                         | V <sub>DD_HV</sub> = 3.3 V ± 10 %                                                                     | 8    | —   | —    |    |
| I <sub>WPU</sub>   | CC | P         | Weak pull-up current absolute value     | V <sub>IN</sub> = 1.1 V <sup>(2)</sup><br>V <sub>DD_HV</sub> = 5.0 V ± 10 %                           | —    | —   | 130  | μA |
|                    |    |           |                                         | V <sub>IN</sub> = 1.1 V<br>V <sub>DD_HV</sub> = 3.3 V ± 10 %                                          | —    | —   | 70   |    |
|                    |    |           |                                         | V <sub>IN</sub> = 0.69 *<br>V <sub>DD_HV_IO</sub> <sup>(3)</sup><br>V <sub>DD_HV</sub> = 5.0 V ± 10 % | 15   | —   | —    |    |
|                    |    |           |                                         | V <sub>IN</sub> = 0.69 * V <sub>DD_HV_IO</sub><br>V <sub>DD_HV</sub> = 3.3 V ± 10 %                   | 15   | —   | —    |    |
| I <sub>WPD</sub>   | CC | P         | Weak pull-down current absolute value   | V <sub>IN</sub> = 0.69 *<br>V <sub>DD_HV_IO</sub> <sup>(2)</sup><br>V <sub>DD_HV</sub> = 5.0 V ± 10 % | —    | —   | 130  | μA |
|                    |    |           |                                         | V <sub>IN</sub> = 0.69 *<br>V <sub>DD_HV_IO</sub> <sup>(2)</sup><br>V <sub>DD_HV</sub> = 3.3 V ± 10 % | —    | —   | 80   |    |
|                    |    |           |                                         | V <sub>IN</sub> = 0.9 V<br>V <sub>DD_HV</sub> = 5.0 V ± 10 %                                          | 15   | —   | —    |    |
|                    |    |           |                                         | V <sub>IN</sub> = 0.9 V<br>V <sub>DD_HV</sub> = 3.3 V ± 10 %                                          | 15   | —   | —    |    |
| W <sub>FRST</sub>  | CC | P         | Input filtered pulse                    | V <sub>DD_HV</sub> = 5.0 V ± 10 %                                                                     | —    | —   | 500  | ns |
|                    |    |           |                                         | V <sub>DD_HV</sub> = 3.3 V ± 10 %                                                                     | —    | —   | 600  |    |
| W <sub>NFRST</sub> | CC | P         | Input not filtered pulse                | V <sub>DD_HV</sub> = 5.0 V ± 10 %                                                                     | 2000 | —   | —    | ns |
|                    |    |           |                                         | V <sub>DD_HV</sub> = 3.3 V ± 10 %                                                                     | 3000 | —   | —    |    |

1. I<sub>ol\_r</sub> applies to PORST: Strong Pull-down is active on PHASE0 for PORST. Refer to the device pinout IO definition excel file for details regarding pin usage.
2. Maximum current when forcing a change in the pin level opposite to the pull configuration.
3. Minimum current when keeping the same pin level state than the pull configuration.

**Table 18. Reset PAD state during power-up and reset**

| PAD   | POWER-UP State   | RESET state    | DEFAULT state <sup>(1)</sup> | STANDBY state |
|-------|------------------|----------------|------------------------------|---------------|
| PORST | Strong pull-down | Weak pull-down | Weak pull-down               | Weak pull-up  |

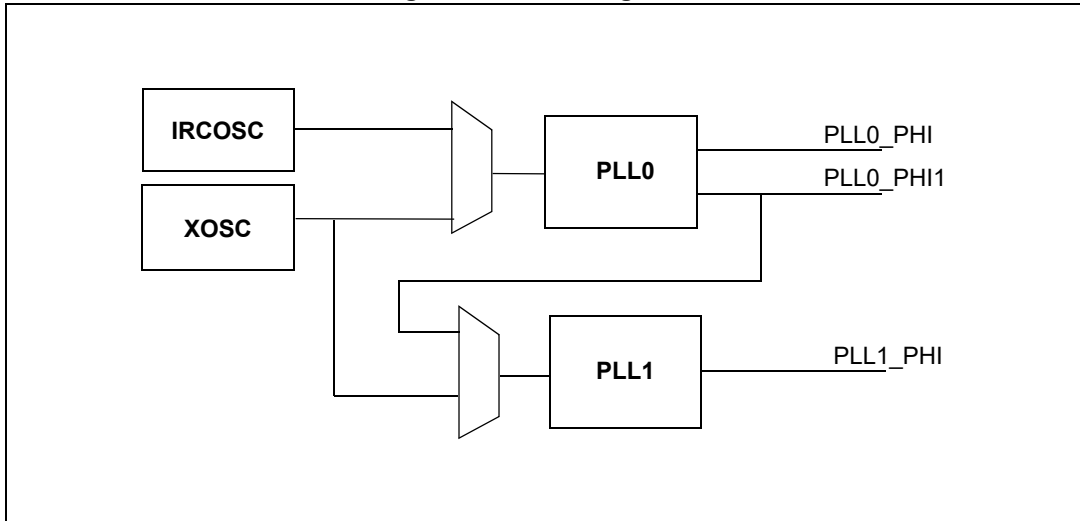
1. Before SW Configuration. Refer to the Device Reference Manual, Reset Generation Module (MC\_RGM) Functional Description chapter for the details of the power-up phases.

### 4.10 PLLs

Two phase-locked loop (PLL) modules are implemented to generate system and auxiliary clocks on the device.

Figure 7 depicts the integration of the two PLLs. Refer to device Reference Manual for more detailed schematic.

Figure 7. PLLs integration



#### 4.10.1 PLL0

Table 19. PLL0 electrical characteristics

| Symbol                         | C  | Parameter | Conditions                                                                 | Value |     |                    | Unit    |
|--------------------------------|----|-----------|----------------------------------------------------------------------------|-------|-----|--------------------|---------|
|                                |    |           |                                                                            | Min   | Typ | Max                |         |
| $f_{PLL0IN}$                   | SR | —         | PLL0 input clock <sup>(1)</sup>                                            | 8     | —   | 44                 | MHz     |
| $\Delta_{PLL0IN}$              | SR | —         | PLL0 input clock duty cycle <sup>(1)</sup>                                 | 40    | —   | 60                 | %       |
| $f_{INFIN}$                    | SR | —         | PLL0 PFD (Phase Frequency Detector) input clock frequency                  | 8     | —   | 20                 | MHz     |
| $f_{PLL0VCO}$                  | CC | P         | PLL0 VCO frequency                                                         | 600   | —   | 1400               | MHz     |
| $f_{PLL0PHI0}$                 | CC | D         | PLL0 output frequency                                                      | 4.762 | —   | 400                | MHz     |
| $f_{PLL0PHI1}$                 | CC | D         | PLL0 output clock PHI1                                                     | 20    | —   | 175 <sup>(2)</sup> | MHz     |
| $t_{PLL0LOCK}$                 | CC | P         | PLL0 lock time                                                             | —     | —   | 100                | $\mu$ s |
| $ \Delta_{PLL0PHI0SPJ} ^{(3)}$ | CC | T         | PLL0_PHI0 single period jitter<br>f <sub>PLL0IN</sub> = 20 MHz (resonator) | —     | —   | 200                | ps      |



Table 19. PLL0 electrical characteristics (continued)

| Symbol                                | C  | Parameter | Conditions                                                                                                             | Value                                                                                  |     |             | Unit      |    |
|---------------------------------------|----|-----------|------------------------------------------------------------------------------------------------------------------------|----------------------------------------------------------------------------------------|-----|-------------|-----------|----|
|                                       |    |           |                                                                                                                        | Min                                                                                    | Typ | Max         |           |    |
| $ \Delta_{\text{PLL0PHI1SPJ}} ^{(3)}$ | CC | D         | PLL0_PHI1 single period jitter<br>$f_{\text{PLL0IN}} = 20$ MHz<br>(resonator)                                          | —                                                                                      | —   | $300^{(4)}$ | ps        |    |
| $\Delta_{\text{PLL0LTJ}}^{(3)}$       | CC | D         | PLL0 output long term jitter <sup>(4)</sup><br>$f_{\text{PLL0IN}} = 20$ MHz<br>(resonator), VCO<br>frequency = 800 MHz | 10 periods<br>accumulated jitter<br>(80 MHz equivalent<br>frequency), 6-sigma<br>pk-pk | —   | —           | $\pm 250$ | ps |
|                                       |    |           |                                                                                                                        | 16 periods<br>accumulated jitter<br>(50 MHz equivalent<br>frequency), 6-sigma<br>pk-pk | —   | —           | $\pm 300$ | ps |
|                                       |    |           |                                                                                                                        | long term jitter<br>( $< 1$ MHz equivalent<br>frequency), 6-sigma<br>pk-pk)            | —   | —           | $\pm 500$ | ps |
| $I_{\text{PLL0}}$                     | CC | D         | PLL0 consumption                                                                                                       | FINE LOCK state                                                                        |     |             | 6         | mA |

1. PLL0IN clock retrieved directly from either internal RCOSC or external FXOSC clock. Input characteristics are granted when using internal RCOSC or external oscillator is used in functional mode.
2. If the PLL0\_PHI1 is used as an input for PLL1, then the PLL0\_PHI1 frequency shall obey the maximum input frequency limit set for PLL1 (87.5 MHz, according to [Table 20](#)).
3. Jitter values reported in this table refer to the internal jitter, and do not include the contribution of the divider and the path to the output CLKOUT pin.
4.  $V_{\text{DD\_LV}}$  noise due to application in the range  $V_{\text{DD\_LV}} = 1.20 \text{ V} \pm 5 \%$ , with frequency below PLL bandwidth (40 kHz) will be filtered.

### 4.10.2 PLL1

PLL1 is a frequency modulated PLL with Spread Spectrum Clock Generation (SSCG) support.

**Table 20. PLL1 electrical characteristics**

| Symbol                         | C  | Parameter | Conditions                                                | Value                                     |       |     | Unit               |         |
|--------------------------------|----|-----------|-----------------------------------------------------------|-------------------------------------------|-------|-----|--------------------|---------|
|                                |    |           |                                                           | Min                                       | Typ   | Max |                    |         |
| $f_{PLL1IN}$                   | SR | —         | PLL1 input clock <sup>(1)</sup>                           | —                                         | 37.5  | —   | 87.5               | MHz     |
| $\Delta_{PLL1IN}$              | SR | —         | PLL1 input clock duty cycle <sup>(1)</sup>                | —                                         | 35    | —   | 65                 | %       |
| $f_{INFIN}$                    | SR | —         | PLL1 PFD (Phase Frequency Detector) input clock frequency | —                                         | 37.5  | —   | 87.5               | MHz     |
| $f_{PLL1VCO}$                  | CC | P         | PLL1 VCO frequency                                        | —                                         | 600   | —   | 1400               | MHz     |
| $f_{PLL1PHI0}$                 | CC | D         | PLL1 output clock PHI0                                    | —                                         | 4.762 | —   | $F_{SYS}^{(2)}$    | MHz     |
| $t_{PLL1LOCK}$                 | CC | P         | PLL1 lock time                                            | —                                         | —     | —   | 50                 | $\mu s$ |
| $f_{PLL1MOD}$                  | CC | T         | PLL1 modulation frequency                                 | —                                         | —     | —   | 250                | kHz     |
| $ \delta_{PLL1MOD} $           | CC | T         | PLL1 modulation depth (when enabled)                      | Center spread <sup>(3)</sup>              | 0.25  | —   | 2                  | %       |
|                                |    |           |                                                           | Down spread                               | 0.5   | —   | 4                  | %       |
| $ \Delta_{PLL1PHI0SPJ} _{(4)}$ | CC | T         | PLL1_PHI0 single period peak to peak jitter               | $f_{PLL1PHI0} = 200 \text{ MHz, 6-sigma}$ | —     | —   | 500 <sup>(5)</sup> | ps      |
| $I_{PLL1}$                     | CC | D         | PLL1 consumption                                          | FINE LOCK state                           | —     | —   | 5                  | mA      |

1. PLL1IN clock retrieved directly from either internal PLL0 or external FXOSC clock. Input characteristics are granted when using internal PPL0 or external oscillator is used in functional mode.
2. Refer to [Section 4.3: Operating conditions](#) for the maximum operating frequency.
3. The device maximum operating frequency  $F_{SYS} \text{ (max)}$  includes the frequency modulation. If center modulation is selected, the  $F_{SYS}$  must be below the maximum by MD (Modulation Depth Percentage), such that  $F_{SYS} \text{ (max)} = F_{SYS} (1 + MD \%)$ . Refer to the Reference Manual for the PLL programming details.
4. Jitter values reported in this table refer to the internal jitter, and do not include the contribution of the divider and the path to the output CLKOUT pin.
5. 1.25 V $\pm$ 5 %, application noise below 40 kHz at  $V_{DD\_LV}$  pin - no frequency modulation.

## 4.11 Oscillators

### 4.11.1 Crystal oscillator 40 MHz

Table 21. External 40 MHz oscillator electrical specifications

| Symbol         | C  | Parameter | Conditions                                                          | Value                                                     |                  | Unit             |      |
|----------------|----|-----------|---------------------------------------------------------------------|-----------------------------------------------------------|------------------|------------------|------|
|                |    |           |                                                                     | Min                                                       | Max              |                  |      |
| $f_{XTAL}$     | CC | D         | Crystal Frequency Range <sup>(1)</sup>                              | —                                                         | 4 <sup>(2)</sup> | 8                | MHz  |
|                |    |           |                                                                     |                                                           | >8               | 20               |      |
|                |    |           |                                                                     |                                                           | >20              | 40               |      |
| $t_{cst}$      | CC | T         | Crystal start-up time <sup>(3),(4)</sup>                            | $T_J = 150\text{ °C}$                                     | —                | 5                | ms   |
| $t_{rec}$      | CC | D         | Crystal recovery time <sup>(5)</sup>                                | —                                                         | —                | 0.5              | ms   |
| $V_{IHEXT}$    | CC | D         | EXTAL input high voltage <sup>(6)</sup> (External Reference)        | $V_{REF} = 0.29 * V_{DD\_HV\_OSC}$                        | $V_{REF} + 0.75$ | —                | V    |
| $V_{ILEXT}$    | CC | D         | EXTAL input low voltage <sup>(6)</sup> (External Reference)         | $V_{REF} = 0.29 * V_{DD\_HV\_OSC}$                        | —                | $V_{REF} - 0.75$ | V    |
| $C_{S\_EXTAL}$ | CC | D         | Total on-chip stray capacitance on EXTAL pin <sup>(7)</sup>         | —                                                         | 3                | 7                | pF   |
| $C_{S\_XTAL}$  | CC | D         | Total on-chip stray capacitance on XTAL pin <sup>(7)</sup>          | —                                                         | 3                | 7                | pF   |
| $g_m$          | CC | P         | Oscillator Transconductance                                         | $f_{XTAL} = 4 - 8\text{ MHz}$<br>$freq\_sel[2:0] = 000$   | 3.9              | 13.6             | mA/V |
|                |    | D         |                                                                     | $f_{XTAL} = 5 - 10\text{ MHz}$<br>$freq\_sel[2:0] = 001$  | 5                | 17.5             |      |
|                |    | D         |                                                                     | $f_{XTAL} = 10 - 15\text{ MHz}$<br>$freq\_sel[2:0] = 010$ | 8.6              | 29.3             |      |
|                |    | P         |                                                                     | $f_{XTAL} = 15 - 20\text{ MHz}$<br>$freq\_sel[2:0] = 011$ | 14.4             | 48               |      |
|                |    | D         |                                                                     | $f_{XTAL} = 20 - 25\text{ MHz}$<br>$freq\_sel[2:0] = 100$ | 21.2             | 69               |      |
|                |    | D         |                                                                     | $f_{XTAL} = 25 - 30\text{ MHz}$<br>$freq\_sel[2:0] = 101$ | 27               | 86               |      |
|                |    | D         |                                                                     | $f_{XTAL} = 30 - 35\text{ MHz}$<br>$freq\_sel[2:0] = 110$ | 33.5             | 115              |      |
|                |    | P         |                                                                     | $f_{XTAL} = 35 - 40\text{ MHz}$<br>$freq\_sel[2:0] = 111$ | 33.5             | 115              |      |
| $V_{EXTAL}$    | CC | D         | Oscillation Amplitude on the EXTAL pin after startup <sup>(8)</sup> | $T_J = -40\text{ °C to }150\text{ °C}$                    | 0.5              | 1.8              | V    |

**Table 21. External 40 MHz oscillator electrical specifications (continued)**

| Symbol            |    | C | Parameter                       | Conditions                        | Value |     | Unit |
|-------------------|----|---|---------------------------------|-----------------------------------|-------|-----|------|
|                   |    |   |                                 |                                   | Min   | Max |      |
| V <sub>HYS</sub>  | CC | D | Comparator Hysteresis           | T <sub>J</sub> = -40 °C to 150 °C | 0.1   | 1.0 | V    |
| I <sub>XTAL</sub> | CC | D | XTAL current <sup>(8),(9)</sup> | T <sub>J</sub> = -40 °C to 150 °C | —     | 14  | mA   |

1. The range is selectable by UTEST miscellaneous DCF client XOSC\_FREQ\_SEL.
2. The XTAL frequency, if used to feed the PPL0 (or PLL1), shall obey the minimum input frequency limit set for PLL0 (or PLL1).
3. This value is determined by the crystal manufacturer and board design, and it can potentially be higher than the maximum provided.
4. Proper PC board layout procedures must be followed to achieve specifications.
5. Crystal recovery time is the time for the oscillator to settle to the correct frequency after adjustment of the integrated load capacitor value.
6. Applies to an external clock input and not to crystal mode.
7. See crystal manufacturer's specification for recommended load capacitor (C<sub>L</sub>) values. The external oscillator requires external load capacitors when operating from 8 MHz to 16 MHz. Account for on-chip stray capacitance (C<sub>S\_EXTAL</sub>/C<sub>S\_XTAL</sub>) and PCB capacitance when selecting a load capacitor value. When operating at 20 MHz/40 MHz, the integrated load capacitor value is selected via S/W to match the crystal manufacturer's specification, while accounting for on-chip and PCB capacitance.
8. Amplitude on the EXTAL pin after startup is determined by the ALC block, that is the Automatic Level Control Circuit. The function of the ALC is to provide high drive current during oscillator startup, but reduce current after oscillation in order to reduce power, distortion, and RFI, and to avoid over driving the crystal. The operating point of the ALC is dependent on the crystal value and loading conditions.
9. I<sub>XTAL</sub> is the oscillator bias current out of the XTAL pin with both EXTAL and XTAL pins grounded. This is the maximum current during startup of the oscillator.

### 4.11.2 Crystal Oscillator 32 kHz

**Table 22. 32 kHz external slow oscillator electrical specifications**

| Symbol              |    | C | Parameter                                         | Conditions | Value |     |     | Unit |
|---------------------|----|---|---------------------------------------------------|------------|-------|-----|-----|------|
|                     |    |   |                                                   |            | Min   | Typ | Max |      |
| f <sub>sxosc</sub>  | SR | T | Slow external crystal oscillator frequency        | —          | 32768 | —   | Hz  |      |
| g <sub>msxosc</sub> | CC | P | Slow external crystal oscillator transconductance | —          | 9.5   | —   | 32  | μA/V |
| V <sub>sxosc</sub>  | CC | T | Oscillation Amplitude                             | —          | 0.5   | —   | 1.7 | V    |
| I <sub>sxoosc</sub> | CC | D | Oscillator consumption                            | —          | —     | —   | 9   | μA   |
| T <sub>sxosc</sub>  | CC | T | Start up time                                     | —          | —     | —   | 2   | s    |

## 4.11.3 RC oscillator 16 MHz

Table 23. Internal RC oscillator electrical specifications

| Symbol                | C  | Parameter | Conditions                                               | Value                             |      |           | Unit |               |
|-----------------------|----|-----------|----------------------------------------------------------|-----------------------------------|------|-----------|------|---------------|
|                       |    |           |                                                          | Min                               | Typ  | Max       |      |               |
| $f_{Target}$          | CC | D         | IRC target frequency                                     | —                                 | 16   | —         | MHz  |               |
| $\delta f_{var\_noT}$ | CC | P         | IRC frequency variation without temperature compensation | $T < 150\text{ }^{\circ}\text{C}$ | -5   | —         | 5    | %             |
| $\delta f_{var\_T}$   | CC | T         | IRC frequency variation with temperature compensation    | $T < 150\text{ }^{\circ}\text{C}$ | -3   | —         | 3    | %             |
| $\delta f_{var\_SW}$  |    | T         | IRC software trimming accuracy                           | Trimming temperature              | -0.5 | $\pm 0.3$ | 0.5  | %             |
| $T_{start\_noT}$      | CC | T         | Startup time to reach within $f_{var\_noT}$              | Factory trimming already applied  | —    | —         | 5    | $\mu\text{s}$ |
| $T_{start\_T}$        | CC | T         | Startup time to reach within $f_{var\_T}$                | Factory trimming already applied  | —    | —         | 120  | $\mu\text{s}$ |
| $I_{FIRC}$            | CC | T         | Current consumption on HV power supply <sup>(1)</sup>    | After $T_{start\_T}$              | —    | —         | 1200 | $\mu\text{A}$ |

1. The consumption reported considers the sum of the RC oscillator 16 MHz IP, and the core logic clocked by the IP during Standby mode.

## 4.11.4 Low power RC oscillator

Table 24. 1024 kHz internal RC oscillator electrical characteristics

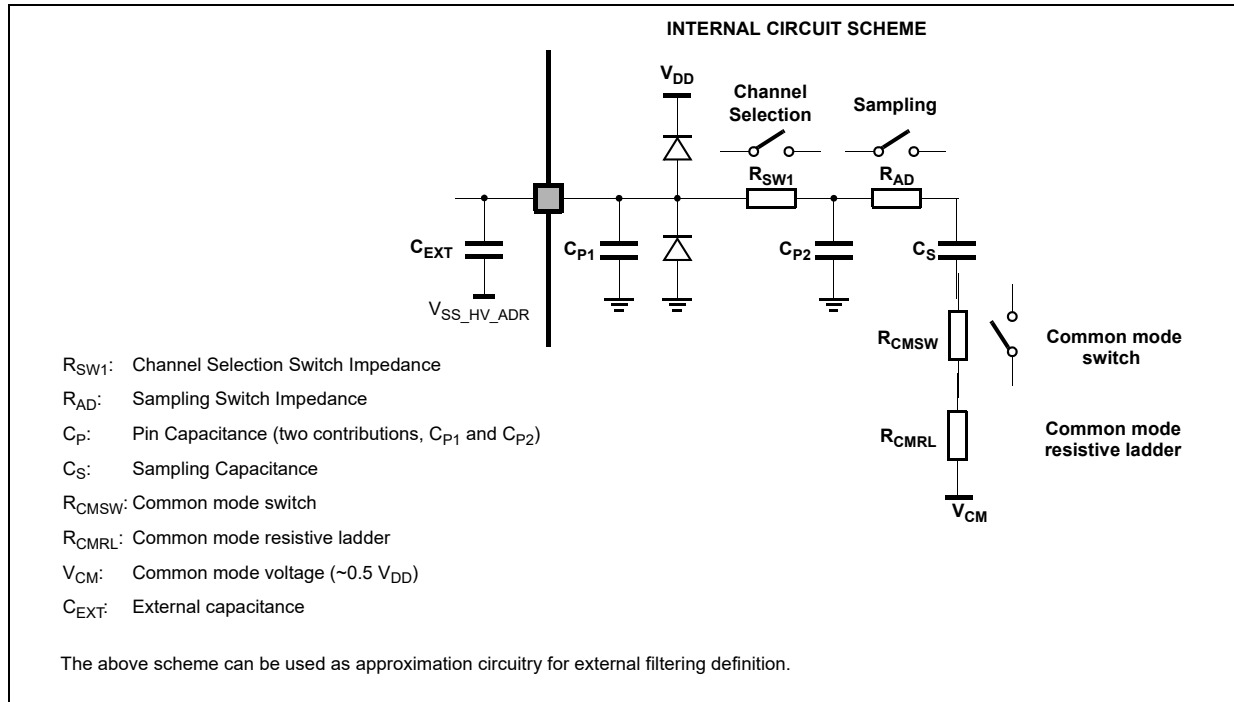
| Symbol              | C  | Parameter | Conditions                                                | Value                               |      |     | Unit |               |
|---------------------|----|-----------|-----------------------------------------------------------|-------------------------------------|------|-----|------|---------------|
|                     |    |           |                                                           | Min                                 | Typ  | Max |      |               |
| $F_{sirc}$          | CC | T         | Slow Internal RC oscillator frequency                     | —                                   | 1024 | —   | kHz  |               |
| $\delta f_{var\_T}$ | CC | P         | Frequency variation across temperature                    | $-40\text{ °C} < T < 150\text{ °C}$ | -9   | —   | +9   | %             |
| $\delta f_{var\_V}$ | CC | P         | Frequency variation across voltage                        | $-40\text{ °C} < T < 150\text{ °C}$ | -5   | —   | +5   | %             |
| $I_{sirc}$          | CC | T         | Slow Internal RC oscillator current                       | $T = 55\text{ °C}$                  | —    | —   | 6    | $\mu\text{A}$ |
| $T_{sirc}$          | CC | T         | Start up time, after switching ON the internal regulator. | —                                   | —    | —   | 12   | $\mu\text{S}$ |

## 4.12 ADC system

### 4.12.1 ADC input description

Figure 8 shows the input equivalent circuit for SARn and SARB channels.

Figure 8. Input equivalent circuit (Fast SARn and SARB channels)



All specifications in the following table valid for the full input voltage range for the analog inputs.

Table 25. ADC pin specification

| Symbol          | C  | Parameter | Conditions                                                                                   | Value                                                                                                         |     | Unit      |
|-----------------|----|-----------|----------------------------------------------------------------------------------------------|---------------------------------------------------------------------------------------------------------------|-----|-----------|
|                 |    |           |                                                                                              | Min                                                                                                           | Max |           |
| $R_{20K\Omega}$ | CC | D         | Internal voltage reference source impedance.                                                 | 16                                                                                                            | 30  | $K\Omega$ |
| $I_{LKG}$       | CC | —         | Input leakage current, two ADC channels on input-only pin.                                   | See IO chapter <a href="#">Table 10: I/O input electrical characteristics</a> , parameter $I_{LKG}$ .         |     |           |
| $I_{INJ1}$      | SR | —         | Injection current on analog input preserving functionality at full or degraded performances. | See Operating Conditions chapter <a href="#">Table 5: Operating conditions</a> , $I_{INJ1}$ parameter.        |     |           |
| $C_{HV\_ADC}$   | SR | D         | $V_{DD\_HV\_ADV}$ external capacitance.                                                      | See Power Management chapter <a href="#">Table 33: External components integration</a> , $C_{ADC}$ parameter. |     |           |
| $C_{P1}$        | CC | D         | Pad capacitance                                                                              | See IO chapter <a href="#">Table 10: I/O input electrical characteristics</a> , parameter $C_{P1}$ .          |     |           |

Table 25. ADC pin specification (continued)

| Symbol                                        | C  | Parameter | Conditions                                                                 | Value                                                                                                                                                                                                                                                                                                                                                                                                                     |      | Unit |    |
|-----------------------------------------------|----|-----------|----------------------------------------------------------------------------|---------------------------------------------------------------------------------------------------------------------------------------------------------------------------------------------------------------------------------------------------------------------------------------------------------------------------------------------------------------------------------------------------------------------------|------|------|----|
|                                               |    |           |                                                                            | Min                                                                                                                                                                                                                                                                                                                                                                                                                       | Max  |      |    |
| C <sub>P2</sub>                               | CC | D         | Internal routing capacitance                                               | SARB channels                                                                                                                                                                                                                                                                                                                                                                                                             | —    | 2    | pF |
|                                               |    |           |                                                                            | SARn 10bit channels                                                                                                                                                                                                                                                                                                                                                                                                       | —    | 0.5  |    |
|                                               |    |           |                                                                            | SARn 12bit channels                                                                                                                                                                                                                                                                                                                                                                                                       | —    | 1    |    |
| C <sub>S</sub>                                | CC | D         | SAR ADC sampling capacitance                                               | SARn 12bit                                                                                                                                                                                                                                                                                                                                                                                                                | —    | 5    | pF |
|                                               |    |           |                                                                            | SARn 10bit                                                                                                                                                                                                                                                                                                                                                                                                                | —    | 2    |    |
| R <sub>SWn</sub>                              | CC | D         | Analog switches resistance                                                 | SARB channels                                                                                                                                                                                                                                                                                                                                                                                                             | 0    | 1.8  | kΩ |
|                                               |    |           |                                                                            | SARn 10bit channels                                                                                                                                                                                                                                                                                                                                                                                                       | 0    | 0.8  |    |
|                                               |    |           |                                                                            | SARn 12bit channels                                                                                                                                                                                                                                                                                                                                                                                                       | 0    | 1.8  |    |
| R <sub>AD</sub>                               | CC | D         | ADC input analog switches resistance                                       | SARn 12bit                                                                                                                                                                                                                                                                                                                                                                                                                | —    | 0.8  | kΩ |
|                                               |    |           |                                                                            | SARn 10bit                                                                                                                                                                                                                                                                                                                                                                                                                | —    | 3.2  |    |
| R <sub>CMSW</sub>                             | CC | D         | Common mode switch resistance                                              | Sum of the two resistances                                                                                                                                                                                                                                                                                                                                                                                                | —    | 9    | kΩ |
| R <sub>CMRL</sub>                             | CC | D         | Common mode resistive ladder                                               |                                                                                                                                                                                                                                                                                                                                                                                                                           |      |      | kΩ |
| R <sub>SAFE<sub>PD</sub></sub> <sup>(1)</sup> | CC | D         | Discharge resistance for ADC input-only pins (strong pull-down for safety) | V <sub>DD_HV_IO</sub> = 5.0 V ± 10 %                                                                                                                                                                                                                                                                                                                                                                                      | —    | 300  | W  |
|                                               |    |           |                                                                            | V <sub>DD_HV_IO</sub> = 3.3 V ± 10 %                                                                                                                                                                                                                                                                                                                                                                                      | —    | 500  | W  |
| A <sub>BGAP</sub>                             | CC | D         | ADC digital bandgap accuracy                                               |                                                                                                                                                                                                                                                                                                                                                                                                                           | -1.5 | +1.5 | %  |
| C <sub>EXT</sub>                              | SR | —         | External capacitance at the pad input pin                                  | To preserve the accuracy of the ADC, it is necessary that analog input pins have low AC impedance. Placing a capacitor with good high frequency characteristics at the input pin of the device can be effective: the capacitor should be as large as possible. This capacitor contributes to attenuating the noise present on the input pin. The impedance relative to the signal source can limit the ADC's sample rate. |      |      |    |

1. It enables discharge of up to 100 nF from 5 V every 300 ms. Refer to the device pinout Microsoft Excel file attached to the IO\_Definition document for the pads supporting it.

### 4.12.2 SAR ADC 12 bit electrical specification

The SARn ADCs are 12-bit Successive Approximation Register analog-to-digital converters with full capacitive DAC. The SARn architecture allows input channel multiplexing.

*Note:* The functional operating conditions are given in the DC electrical specifications. Absolute maximum ratings are stress ratings only, and functional operation at the maxima is not guaranteed. Stress beyond the listed maximum may affect device reliability or cause permanent damage to the device.



Table 26. SARn ADC electrical specification

| Symbol              | C  | Parameter            | Conditions                                  | Value                                                                                                                                              |              | Unit |            |
|---------------------|----|----------------------|---------------------------------------------|----------------------------------------------------------------------------------------------------------------------------------------------------|--------------|------|------------|
|                     |    |                      |                                             | Min                                                                                                                                                | Max          |      |            |
| $f_{ADCK}$          | SR | P<br>Clock frequency | Standard frequency mode                     | 7.5                                                                                                                                                | 13.33        | MHz  |            |
|                     |    |                      | High frequency mode                         | >13.33                                                                                                                                             | 16.0         |      |            |
| $t_{ADCINIT}$       | SR | —                    | ADC initialization time                     | —                                                                                                                                                  | 1.5          | —    | $\mu$ s    |
| $t_{ADCBIASINIT}$   | SR | —                    | ADC BIAS initialization time                | —                                                                                                                                                  | 5            | —    | $\mu$ s    |
| $t_{ADCPRECH}$      | SR | T                    | ADC discharge time                          | Fast SAR                                                                                                                                           | $1/f_{ADCK}$ | —    | $\mu$ s    |
|                     |    |                      |                                             | Slow SAR (SARDAC_B)                                                                                                                                | $2/f_{ADCK}$ | —    |            |
| $\Delta V_{PRECH}$  | SR | D                    | Discharge voltage precision                 | $T_J < 150\text{ }^\circ\text{C}$                                                                                                                  | 0            | 0.25 | V          |
| $R_{20K\Omega}$     | CC | D                    | Internal voltage reference source impedance | —                                                                                                                                                  | 16           | 30   | K $\Omega$ |
| $\Delta V_{INTREF}$ | CC | P                    | Internal reference voltage precision        | Applies to all internal reference points<br>( $V_{SS\_HV\_ADR}$ ,<br>$1/3 * V_{DD\_HV\_ADR}$ ,<br>$2/3 * V_{DD\_HV\_ADR}$ ,<br>$V_{DD\_HV\_ADR}$ ) | -0.20        | 0.20 | V          |

Table 26. SARn ADC electrical specification (continued)

| Symbol                                  | C  | Parameter                                   | Conditions                                                                                      | Value                |      | Unit |
|-----------------------------------------|----|---------------------------------------------|-------------------------------------------------------------------------------------------------|----------------------|------|------|
|                                         |    |                                             |                                                                                                 | Min                  | Max  |      |
| t <sub>ADCSAMPLE</sub>                  | SR | ADC sample time <sup>(1)</sup>              | Fast SAR – 12-bit configuration                                                                 | 6/f <sub>ADCK</sub>  | —    | μs   |
|                                         |    |                                             | Fast SAR – 10-bit configuration mode 1 <sup>(2)</sup> (Standard frequency mode only)            | 6/f <sub>ADCK</sub>  |      |      |
|                                         |    |                                             | Fast SAR – 10-bit configuration mode 2 <sup>(3)</sup> (Standard frequency mode only)            | 5/f <sub>ADCK</sub>  |      |      |
|                                         |    |                                             | Fast SAR – 10-bit configuration mode 3 <sup>(4)</sup> (High frequency mode only)                | 6/f <sub>ADCK</sub>  |      |      |
|                                         |    |                                             | Slow SAR (SARADC_B) – 12-bit configuration                                                      | 12/f <sub>ADCK</sub> |      |      |
|                                         |    |                                             | Slow SAR (SARADC_B) – 10-bit configuration mode 1 <sup>(2)</sup> (Standard frequency mode only) | 12/f <sub>ADCK</sub> |      |      |
|                                         |    |                                             | Slow SAR (SARADC_B) – 10-bit configuration mode 2 <sup>(3)</sup> (Standard frequency mode only) | 10/f <sub>ADCK</sub> |      |      |
|                                         |    |                                             | Slow SAR (SARADC_B) – 10-bit configuration mode 3 <sup>(4)</sup> (High frequency mode only)     | 12/f <sub>ADCK</sub> |      |      |
|                                         |    |                                             | Conversion of BIAS test channels through 20 kΩ input.                                           | 40/f <sub>ADCK</sub> |      |      |
| t <sub>ADCEVAL</sub>                    | SR | ADC evaluation time                         | 12-bit configuration                                                                            | 12/f <sub>ADCK</sub> | —    | μs   |
|                                         |    |                                             | 10-bit configuration                                                                            | 10/f <sub>ADCK</sub> | —    |      |
| I <sub>ADCREFH</sub> <sup>(5),(6)</sup> | CC | ADC high reference current                  | Run mode (average across all codes)                                                             | —                    | 7    | μA   |
|                                         |    |                                             | Power Down mode                                                                                 | —                    | 1    |      |
| I <sub>ADCREFL</sub> <sup>(6)</sup>     | CC | ADC low reference current                   | Run mode<br>V <sub>DD_HV_ADR_S</sub> ≤ 5.5 V                                                    | —                    | 15   | μA   |
|                                         |    |                                             | Power Down mode<br>V <sub>DD_HV_ADR_S</sub> ≤ 5.5 V                                             | —                    | 1    |      |
| I <sub>ADV_S</sub> <sup>(6)</sup>       | CC | V <sub>DD_HV_ADV</sub> power supply current | Run mode                                                                                        | —                    | 4.0  | mA   |
|                                         |    |                                             | Power Down mode                                                                                 | —                    | 0.04 |      |

Table 26. SARn ADC electrical specification (continued)

| Symbol            | C  | Parameter                                                     | Conditions                                                                                                          | Value |     | Unit         |
|-------------------|----|---------------------------------------------------------------|---------------------------------------------------------------------------------------------------------------------|-------|-----|--------------|
|                   |    |                                                               |                                                                                                                     | Min   | Max |              |
| TUE <sub>12</sub> | CC | Total unadjusted error in 12-bit configuration <sup>(7)</sup> | T <sub>J</sub> < 150 °C,<br>V <sub>DD_HV_ADV</sub> > 3 V,<br>V <sub>DD_HV_ADR_S</sub> > 3 V                         | -4    | 4   | LSB<br>(12b) |
|                   |    |                                                               | T <sub>J</sub> < 150 °C,<br>V <sub>DD_HV_ADV</sub> > 3 V,<br>V <sub>DD_HV_ADR_S</sub> > 3 V                         | -6    | 6   |              |
|                   |    |                                                               | T <sub>J</sub> < 150 °C,<br>V <sub>DD_HV_ADV</sub> > 3 V,<br>3 V > V <sub>DD_HV_ADR_S</sub> > 2 V                   | -6    | 6   |              |
|                   |    |                                                               | High frequency mode,<br>T <sub>J</sub> < 150 °C,<br>V <sub>DD_HV_ADV</sub> > 3 V,<br>V <sub>DD_HV_ADR_S</sub> > 3 V | -12   | 12  |              |
| TUE <sub>10</sub> | CC | Total unadjusted error in 10-bit configuration <sup>(7)</sup> | Mode 1, T <sub>J</sub> < 150 °C,<br>V <sub>DD_HV_ADV</sub> > 3 V,<br>V <sub>DD_HV_ADR_S</sub> > 3 V                 | -1.5  | 1.5 | LSB<br>(10b) |
|                   |    |                                                               | Mode 1, T <sub>J</sub> < 150 °C,<br>V <sub>DD_HV_ADV</sub> > 3 V,<br>3 V > V <sub>DD_HV_ADR_S</sub> > 2 V           | -2.0  | 2.0 |              |
|                   |    |                                                               | Mode 2, T <sub>J</sub> < 150 °C,<br>V <sub>DD_HV_ADV</sub> > 3 V,<br>V <sub>DD_HV_ADR_S</sub> > 3 V                 | -3.0  | 3.0 |              |
|                   |    |                                                               | Mode 3, T <sub>J</sub> < 150 °C,<br>V <sub>DD_HV_ADV</sub> > 3 V,<br>V <sub>DD_HV_ADR_S</sub> > 3 V                 | -4.0  | 4.0 |              |

Table 26. SARn ADC electrical specification (continued)

| Symbol             | C  | Parameter | Conditions                                                                        | Value                                                                                                       |      | Unit |              |
|--------------------|----|-----------|-----------------------------------------------------------------------------------|-------------------------------------------------------------------------------------------------------------|------|------|--------------|
|                    |    |           |                                                                                   | Min                                                                                                         | Max  |      |              |
| $\Delta TUE_{12}$  | CC | D         | TUE degradation due to $V_{DD\_HV\_ADR}$ offset with respect to $V_{DD\_HV\_ADV}$ | $V_{IN} < V_{DD\_HV\_ADV}$<br>$V_{DD\_HV\_ADR} - V_{DD\_HV\_ADV} \in [0:25 \text{ mV}]$                     | -1   | 1    | LSB<br>(12b) |
|                    |    |           |                                                                                   | $V_{IN} < V_{DD\_HV\_ADV}$<br>$V_{DD\_HV\_ADR} - V_{DD\_HV\_ADV} \in [25:50 \text{ mV}]$                    | -2   | 2    |              |
|                    |    |           |                                                                                   | $V_{IN} < V_{DD\_HV\_ADV}$<br>$V_{DD\_HV\_ADR} - V_{DD\_HV\_ADV} \in [50:75 \text{ mV}]$                    | -4   | 4    |              |
|                    |    |           |                                                                                   | $V_{IN} < V_{DD\_HV\_ADV}$<br>$V_{DD\_HV\_ADR} - V_{DD\_HV\_ADV} \in [75:100 \text{ mV}]$                   | -6   | 6    |              |
|                    |    |           |                                                                                   | $V_{DD\_HV\_ADV} < V_{IN} < V_{DD\_HV\_ADR}$<br>$V_{DD\_HV\_ADR} - V_{DD\_HV\_ADV} \in [0:25 \text{ mV}]$   | -2.5 | 2.5  |              |
|                    |    |           |                                                                                   | $V_{DD\_HV\_ADV} < V_{IN} < V_{DD\_HV\_ADR}$<br>$V_{DD\_HV\_ADR} - V_{DD\_HV\_ADV} \in [25:50 \text{ mV}]$  | -4   | 4    |              |
|                    |    |           |                                                                                   | $V_{DD\_HV\_ADV} < V_{IN} < V_{DD\_HV\_ADR}$<br>$V_{DD\_HV\_ADR} - V_{DD\_HV\_ADV} \in [50:75 \text{ mV}]$  | -7   | 7    |              |
|                    |    |           |                                                                                   | $V_{DD\_HV\_ADV} < V_{IN} < V_{DD\_HV\_ADR}$<br>$V_{DD\_HV\_ADR} - V_{DD\_HV\_ADV} \in [75:100 \text{ mV}]$ | -12  | 12   |              |
| DNL <sup>(8)</sup> | CC | P         | Differential non-linearity                                                        | Standard frequency mode,<br>$V_{DD\_HV\_ADV} > 4 \text{ V}$<br>$V_{DD\_HV\_ADR\_S} > 4 \text{ V}$           | -1   | 2    | LSB<br>(12b) |
|                    |    | T         |                                                                                   | High frequency mode,<br>$V_{DD\_HV\_ADV} > 4 \text{ V}$<br>$V_{DD\_HV\_ADR\_S} > 4 \text{ V}$               | -1   | 2    |              |

- Minimum ADC sample times are dependent on adequate charge transfer from the external driving circuit to the internal sample capacitor. The time constant of the entire circuit must allow the sampling capacitor to charge within 1/2 LSB within the sampling window. Refer to [Figure 8](#) for models of the internal ADC circuit, and the values to use in external RC sizing and calculating the sampling window duration.
- Mode1: 6 sampling cycles + 10 conversion cycles at 13.33 MHz.
- Mode2: 5 sampling cycles + 10 conversion cycles at 13.33 MHz.
- Mode3: 6 sampling cycles + 10 conversion cycles at 16 MHz.
- $I_{ADCREFH}$  and  $I_{ADCREFL}$  are independent from ADC clock frequency. It depends on conversion rate: consumption is driven by the transfer of charge between internal capacitances during the conversion.
- Current parameter values are for a single ADC.

7. TUE is granted with injection current within the range defined in [Table 25](#), for parameters classified as T and D.
8. DNL is granted with injection current within the range defined in [Table 25](#), for parameters classified as T and D.

### 4.12.3 SAR ADC 10 bit electrical specification

The ADC comparators are 10-bit Successive Approximation Register analog-to-digital converters with full capacitive DAC. The SARn architecture allows input channel multiplexing.

*Note:* The functional operating conditions are given in the DC electrical specifications. Absolute maximum ratings are stress ratings only, and functional operation at the maxima is not guaranteed. Stress beyond the listed maximum may affect device reliability or cause permanent damage to the device.

**Table 27. ADC-Comparator electrical specification**

| Symbol                  | C  | Parameter | Conditions                             | Value                                                     |                     | Unit         |         |
|-------------------------|----|-----------|----------------------------------------|-----------------------------------------------------------|---------------------|--------------|---------|
|                         |    |           |                                        | Min                                                       | Max                 |              |         |
| $f_{ADCK}$              | SR | P         | Clock frequency                        | Standard frequency mode                                   | 7.5                 | 13.33        | MHz     |
|                         |    |           |                                        | T                                                         | High frequency mode | >13.33       |         |
| $t_{ADCINIT}$           | SR | —         | ADC initialization time                | —                                                         | 1.5                 | —            | $\mu$ s |
| $t_{ADCBIASINIT}$       | SR | —         | ADC BIAS initialization time           | —                                                         | 5                   | —            | $\mu$ s |
| $t_{ADCINITSBY}$        | SR | —         | ADC initialization time in standby     | Standby mode                                              | 8                   | —            | $\mu$ s |
| $t_{ADCPRECH}$          | SR | T         | ADC precharge time                     | Fast channel                                              | $1/f_{ADCK}$        | —            | $\mu$ s |
|                         |    |           |                                        | Standard channel                                          | $2/f_{ADCK}$        | —            |         |
| $\Delta V_{PRECH}$      | SR | D         | Precharge voltage precision            | $T_J < 150\text{ }^\circ\text{C}$                         | 0                   | 0.25         | V       |
| $t_{ADCSAMPLE}$         | SR | P         | ADC sample time <sup>(1)</sup>         | 10-bit ADC mode                                           | $5/f_{ADCK}$        | —            | $\mu$ s |
|                         |    |           |                                        | ADC comparator mode                                       | $2/f_{ADCK}$        | —            | $\mu$ s |
| $t_{ADCEVAL}$           | SR | P         | ADC evaluation time                    | 10-bit ADC mode                                           | $10/f_{ADCK}$       | —            | $\mu$ s |
|                         |    |           |                                        | D                                                         | ADC comparator mode | $2/f_{ADCK}$ |         |
| $I_{ADCREFH}^{(2),(3)}$ | CC | T         | ADC high reference current             | Run mode (average across all codes)                       | —                   | 7            | $\mu$ A |
|                         |    |           |                                        | Power down mode                                           | —                   | 1            |         |
|                         |    |           |                                        | ADC comparator mode                                       | —                   | 19.5         |         |
| $I_{ADCREFL}^{(4)}$     | CC | D         | ADC low reference current              | Run mode<br>$V_{DD\_HV\_ADR\_S} \leq 5.5\text{ V}$        | —                   | 15           | $\mu$ A |
|                         |    |           |                                        | Power Down mode<br>$V_{DD\_HV\_ADR\_S} \leq 5.5\text{ V}$ | —                   | 1            |         |
|                         |    |           |                                        | ADC comparator mode                                       | —                   | 20.5         |         |
| $I_{ADV\_S}^{(4)}$      | CC | P         | $V_{DD\_HV\_ADV}$ power supply current | Run mode                                                  | —                   | 4            | mA      |
|                         |    |           |                                        | D                                                         | Power down mode     | —            |         |

Table 27. ADC-Comparator electrical specification (continued)

| Symbol             | C  | Parameter                                                                                   | Conditions                                                                                                                         | Value |      | Unit         |
|--------------------|----|---------------------------------------------------------------------------------------------|------------------------------------------------------------------------------------------------------------------------------------|-------|------|--------------|
|                    |    |                                                                                             |                                                                                                                                    | Min   | Max  |              |
| TUE <sub>10</sub>  | CC | Total unadjusted error in 10-bit configuration <sup>(5)</sup>                               | T <sub>J</sub> < 150 °C,<br>V <sub>DD_HV_ADV</sub> > 3 V,<br>V <sub>DD_HV_ADR_S</sub> > 3 V                                        | -2    | 2    | LSB<br>(10b) |
|                    |    |                                                                                             | T <sub>J</sub> < 150 °C,<br>V <sub>DD_HV_ADV</sub> > 3 V,<br>V <sub>DD_HV_ADR_S</sub> > 3 V                                        | -3    | 3    |              |
|                    |    |                                                                                             | T <sub>J</sub> < 150 °C,<br>V <sub>DD_HV_ADV</sub> > 3 V,<br>3 V > V <sub>DD_HV_ADR_S</sub> > 2 V                                  | -3    | 3    |              |
|                    |    |                                                                                             | High frequency mode,<br>T <sub>J</sub> < 150 °C,<br>V <sub>DD_HV_ADV</sub> > 3 V,<br>V <sub>DD_HV_ADR_S</sub> > 3 V                | -3    | 3    |              |
| ΔTUE <sub>10</sub> | CC | TUE degradation due to V <sub>DD_HV_ADR</sub> offset with respect to V <sub>DD_HV_ADV</sub> | V <sub>IN</sub> < V <sub>DD_HV_ADV</sub><br>V <sub>DD_HV_ADR</sub> - V <sub>DD_HV_ADV</sub> ∈ [0:25 mV]                            | -1.0  | 1.0  | LSB<br>(10b) |
|                    |    |                                                                                             | V <sub>IN</sub> < V <sub>DD_HV_ADV</sub><br>V <sub>DD_HV_ADR</sub> - V <sub>DD_HV_ADV</sub> ∈ [25:50 mV]                           | -2.0  | 2.0  |              |
|                    |    |                                                                                             | V <sub>IN</sub> < V <sub>DD_HV_ADV</sub><br>V <sub>DD_HV_ADR</sub> - V <sub>DD_HV_ADV</sub> ∈ [50:75 mV]                           | -3.5  | 3.5  |              |
|                    |    |                                                                                             | V <sub>IN</sub> < V <sub>DD_HV_ADV</sub><br>V <sub>DD_HV_ADR</sub> - V <sub>DD_HV_ADV</sub> ∈ [75:100 mV]                          | -6.0  | 6.0  |              |
|                    |    |                                                                                             | V <sub>DD_HV_ADV</sub> < V <sub>IN</sub> < V <sub>DD_HV_ADR</sub><br>V <sub>DD_HV_ADR</sub> - V <sub>DD_HV_ADV</sub> ∈ [0:25 mV]   | -2.5  | 2.5  |              |
|                    |    |                                                                                             | V <sub>DD_HV_ADV</sub> < V <sub>IN</sub> < V <sub>DD_HV_ADR</sub><br>V <sub>DD_HV_ADR</sub> - V <sub>DD_HV_ADV</sub> ∈ [25:50 mV]  | -4.0  | 4.0  |              |
|                    |    |                                                                                             | V <sub>DD_HV_ADV</sub> < V <sub>IN</sub> < V <sub>DD_HV_ADR</sub><br>V <sub>DD_HV_ADR</sub> - V <sub>DD_HV_ADV</sub> ∈ [50:75 mV]  | -7.0  | 7.0  |              |
|                    |    |                                                                                             | V <sub>DD_HV_ADV</sub> < V <sub>IN</sub> < V <sub>DD_HV_ADR</sub><br>V <sub>DD_HV_ADR</sub> - V <sub>DD_HV_ADV</sub> ∈ [75:100 mV] | -12.0 | 12.0 |              |

Table 27. ADC-Comparator electrical specification (continued)

| Symbol             | C  | Parameter | Conditions                                                                                 | Value |     | Unit         |
|--------------------|----|-----------|--------------------------------------------------------------------------------------------|-------|-----|--------------|
|                    |    |           |                                                                                            | Min   | Max |              |
| DNL <sup>(6)</sup> | CC | P         | Standard frequency mode,<br>V <sub>DD_HV_ADV</sub> > 4 V<br>V <sub>DD_HV_ADR_S</sub> > 4 V | -1    | 2   | LSB<br>(10b) |
|                    |    | T         | High frequency mode,<br>V <sub>DD_HV_ADV</sub> > 4 V<br>V <sub>DD_HV_ADR_S</sub> > 4 V     | -1    | 2   |              |

1. Minimum ADC sample times are dependent on adequate charge transfer from the external driving circuit to the internal sample capacitor. The time constant of the entire circuit must allow the sampling capacitor to charge within 1/2 LSB within the sampling window. Refer to [Figure 8](#) for models of the internal ADC circuit, and the values to use in external RC sizing and calculating the sampling window duration.
2. I<sub>ADCREFH</sub> and I<sub>ADCREFL</sub> are independent from ADC clock frequency. It depends on conversion rate: consumption is driven by the transfer of charge between internal capacitances during the conversion.
3. Current parameter values are for a single ADC.
4. All channels of all SAR-ADC12bit and SAR-ADC10bit are impacted with same degradation, independently from the ADC and the channel subject to current injection.
5. TUE is granted with injection current within the range defined in [Table 25](#), for parameters classified as T and D.
6. DNL is granted with injection current within the range defined in [Table 25](#), for parameters classified as T and D.

## 4.13 Temperature sensor

The following table describes the temperature sensor electrical characteristics.

**Table 28. Temperature sensor electrical characteristics**

| Symbol            | C  | Parameter | Conditions                   | Value                   |      |     | Unit  |
|-------------------|----|-----------|------------------------------|-------------------------|------|-----|-------|
|                   |    |           |                              | Min                     | Typ  | Max |       |
| —                 | CC | —         | Temperature monitoring range | —                       | —    | 150 | °C    |
| T <sub>SENS</sub> | CC | T         | Sensitivity                  | —                       | 5.18 | —   | mV/°C |
| T <sub>ACC</sub>  | CC | P         | Accuracy                     | T <sub>J</sub> < 150 °C | -3   | 3   | °C    |



### 4.14 LFAST pad electrical characteristics

The LFAST(LVDS Fast Asynchronous Serial Transmission) pad electrical characteristics apply to high-speed debug serial interfaces on the device.

#### 4.14.1 LFAST interface timing diagrams

Figure 9. LFAST LVDS timing definition

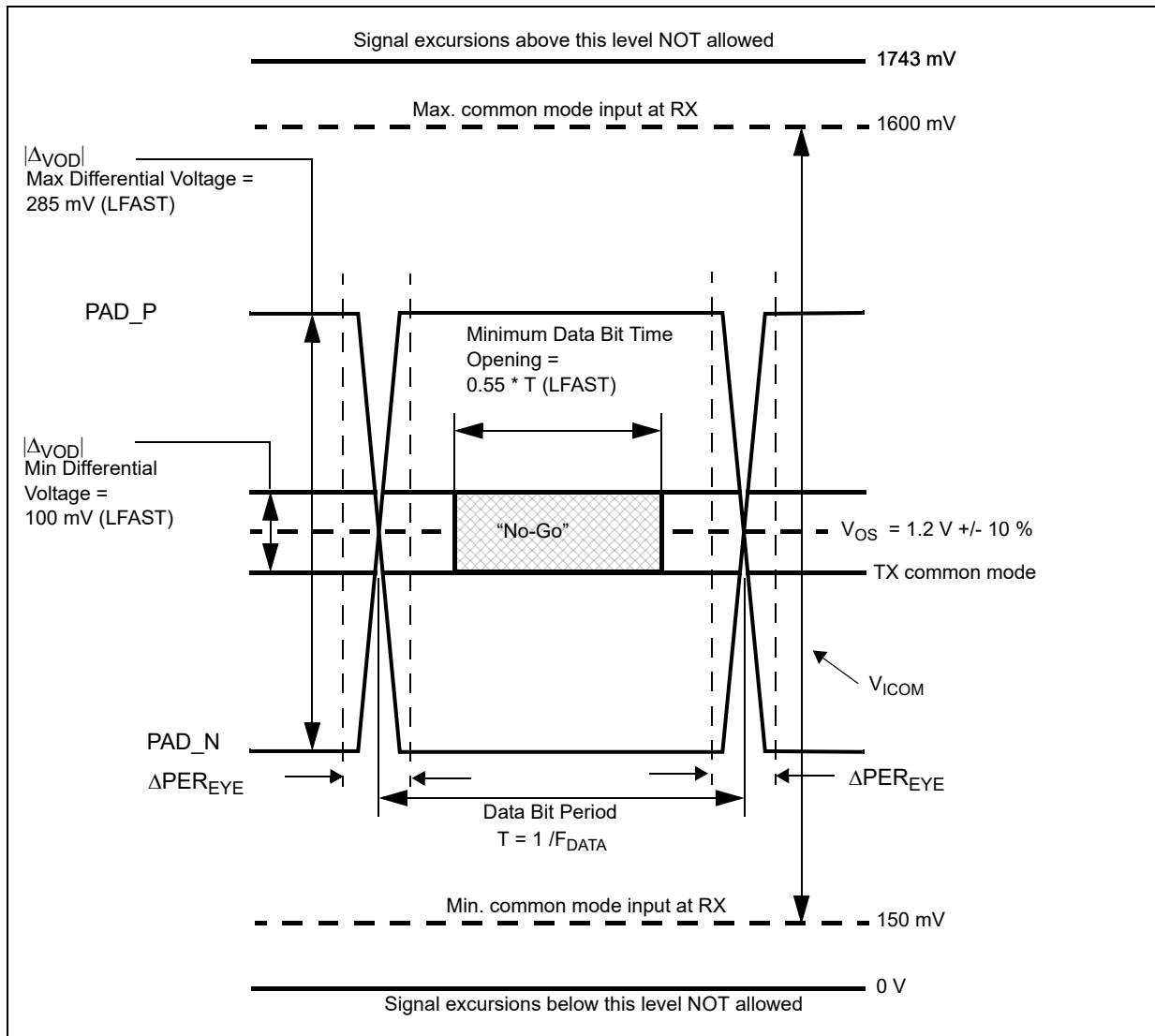


Figure 10. Power-down exit time

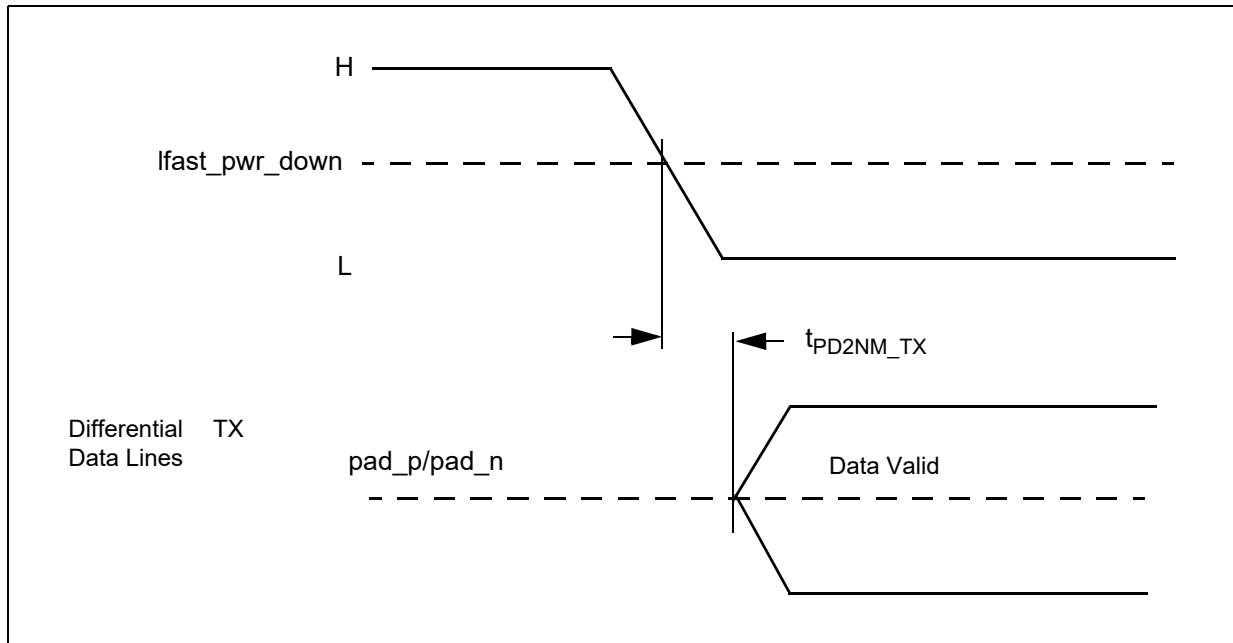
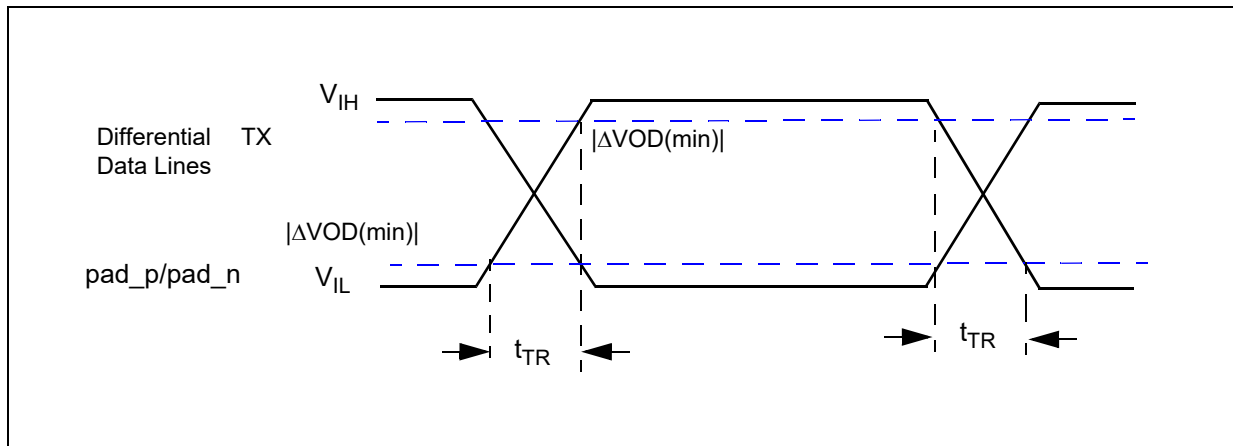


Figure 11. Rise/fall time



#### 4.14.2 LFAST LVDS interface electrical characteristics

The following table contains the electrical characteristics for the LFAST interface.

Table 29. LVDS pad startup and receiver electrical characteristics<sup>(1),(2)</sup>

| Symbol                           | C  | Parameter | Conditions                                                          | Value |     |      | Unit          |
|----------------------------------|----|-----------|---------------------------------------------------------------------|-------|-----|------|---------------|
|                                  |    |           |                                                                     | Min   | Typ | Max  |               |
| <b>STARTUP<sup>(3),(4)</sup></b> |    |           |                                                                     |       |     |      |               |
| $t_{STRT\_BIAS}$                 | CC | T         | Bias current reference startup time <sup>(5)</sup>                  | —     | 0.5 | 4    | $\mu\text{s}$ |
| $t_{PD2NM\_TX}$                  | CC | T         | Transmitter startup time (power down to normal mode) <sup>(6)</sup> | —     | 0.4 | 2.75 | $\mu\text{s}$ |

Table 29. LVDS pad startup and receiver electrical characteristics<sup>(1),(2)</sup> (continued)

| Symbol                                               | C  | Parameter | Conditions                                                          | Value                                                                                                     |              |     | Unit                |          |
|------------------------------------------------------|----|-----------|---------------------------------------------------------------------|-----------------------------------------------------------------------------------------------------------|--------------|-----|---------------------|----------|
|                                                      |    |           |                                                                     | Min                                                                                                       | Typ          | Max |                     |          |
| $t_{SM2NM\_TX}$                                      | CC | T         | Transmitter startup time (sleep mode to normal mode) <sup>(7)</sup> | Not applicable to the MSC/DSPI LVDS pad                                                                   | —            | 0.4 | 0.6                 | $\mu$ s  |
| $t_{PD2NM\_RX}$                                      | CC | T         | Receiver startup time (power down to normal mode) <sup>(8)</sup>    | —                                                                                                         | —            | 20  | 40                  | ns       |
| $t_{PD2SM\_RX}$                                      | CC | T         | Receiver startup time (power down to sleep mode) <sup>(9)</sup>     | Not applicable to the MSC/DSPI LVDS pad                                                                   | —            | 20  | 50                  | ns       |
| $I_{LVDS\_BIAS}$                                     | CC | D         | LVDS bias current consumption                                       | Tx or Rx enabled                                                                                          | —            | —   | 0.95                | mA       |
| <b>TRANSMISSION LINE CHARACTERISTICS (PCB Track)</b> |    |           |                                                                     |                                                                                                           |              |     |                     |          |
| $Z_0$                                                | SR | D         | Transmission line characteristic impedance                          | —                                                                                                         | 47.5         | 50  | 52.5                | $\Omega$ |
| $Z_{DIFF}$                                           | SR | D         | Transmission line differential impedance                            | —                                                                                                         | 95           | 100 | 105                 | $\Omega$ |
| <b>RECEIVER</b>                                      |    |           |                                                                     |                                                                                                           |              |     |                     |          |
| $V_{ICOM}$                                           | SR | T         | Common mode voltage                                                 | —                                                                                                         | 0.15<br>(10) | —   | 1.6 <sup>(11)</sup> | V        |
| $ \Delta V_I $                                       | SR | T         | Differential input voltage <sup>(12)</sup>                          | —                                                                                                         | 100          | —   | —                   | mV       |
| $V_{HYS}$                                            | CC | T         | Input hysteresis                                                    | —                                                                                                         | 25           | —   | —                   | mV       |
| $R_{IN}$                                             | CC | D         | Terminating resistance                                              | $V_{DD\_HV\_IO} = 5.0\text{ V} \pm 10\%$<br>$-40\text{ }^\circ\text{C} < T_J < 150\text{ }^\circ\text{C}$ | 80           | —   | 150                 | $\Omega$ |
|                                                      |    |           |                                                                     | $V_{DD\_HV\_IO} = 3.3\text{ V} \pm 10\%$<br>$-40\text{ }^\circ\text{C} < T_J < 150\text{ }^\circ\text{C}$ | 80           | —   | 175                 |          |
| $C_{IN}$                                             | CC | D         | Differential input capacitance <sup>(13)</sup>                      | —                                                                                                         | —            | 3.5 | 6.0                 | pF       |
| $I_{LVDS\_RX}$                                       | CC | C         | Receiver DC current consumption                                     | Enabled                                                                                                   | —            | —   | 1.6                 | mA       |
| $I_{PIN\_RX}$                                        | CC | D         | Maximum consumption on receiver input pin                           | $\Delta V_I = 400\text{ mV}$ ,<br>$R_{IN} = 80\ \Omega$                                                   | —            | —   | 5                   | mA       |

1. The LVDS pad startup and receiver electrical characteristics in this table apply to both the LFAST & High-speed Debug (HSD) LVDS pad.
2. All LVDS pad electrical characteristics are valid from  $-40\text{ }^\circ\text{C}$  to  $150\text{ }^\circ\text{C}$ .
3. All startup times are defined after a 2 peripheral bridge clock delay from writing to the corresponding enable bit in the LVDS control registers (LCR) of the LFAST and High-speed Debug modules. The value of the LCR bits for the LFAST/HSD modules don't take effect until the corresponding SIUL2 MSCR ODC bits are set to LFAST LVDS mode. Startup times for MSC/DSPI LVDS are defined after 2 peripheral bridge clock delay after selecting MSC/DSPI LVDS in the corresponding SIUL2 MSCR ODC field.
4. Startup times are valid for the maximum external loads CL defined in both the LFAST/HSD and MSC/DSPI transmitter electrical characteristic tables.
5. Bias startup time is defined as the time taken by the current reference block to reach the settling bias current after being enabled.
6. Total transmitter startup time from power down to normal mode is  $t_{STRT\_BIAS} + t_{PD2NM\_TX} + 2$  peripheral bridge clock periods.
7. Total transmitter startup time from sleep mode to normal mode is  $t_{SM2NM\_TX} + 2$  peripheral bridge clock periods. Bias block remains enabled in sleep mode.

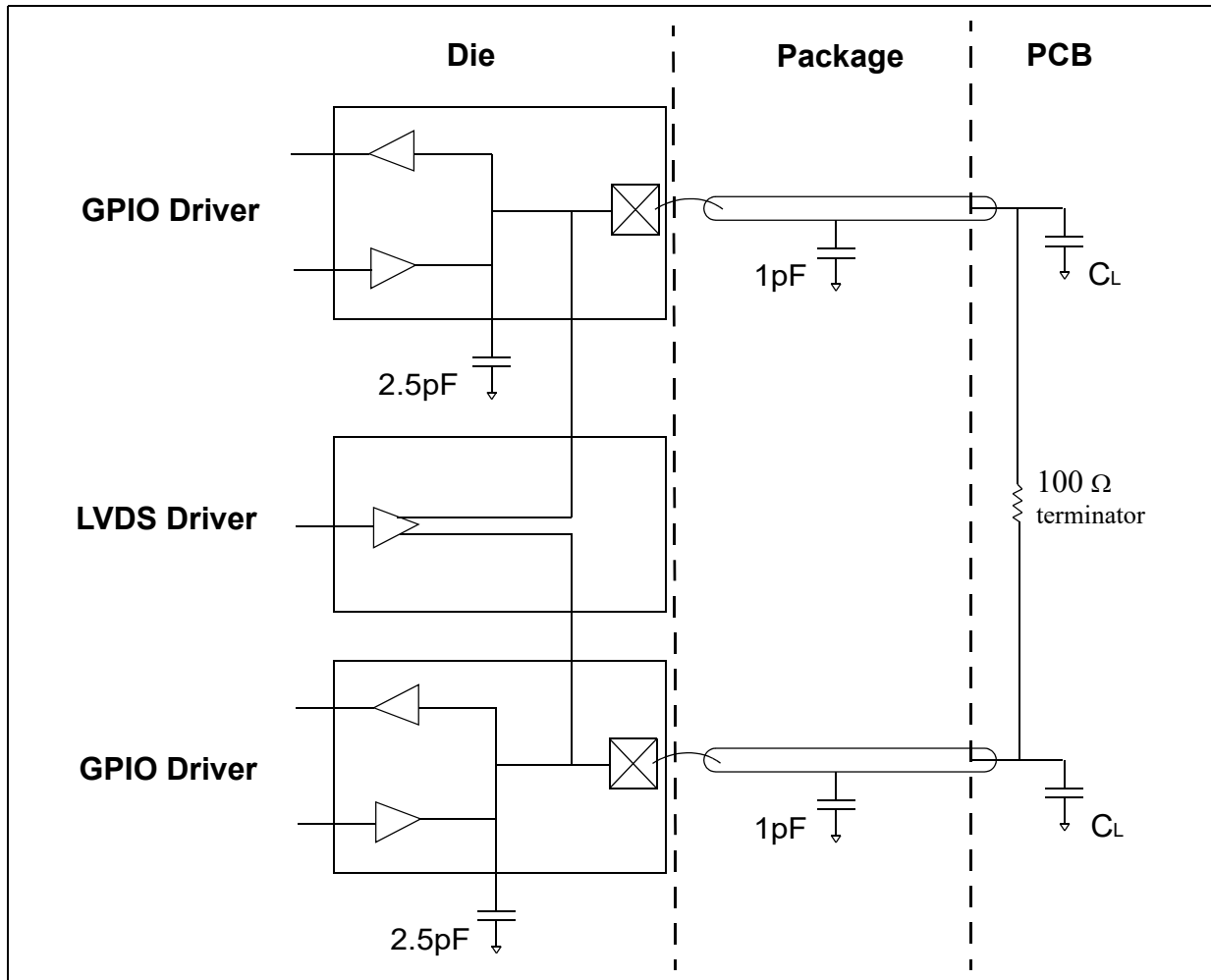
8. Total receiver startup time from power down to normal mode is  $t_{STRT\_BIAS} + t_{PD2NM\_RX} + 2$  peripheral bridge clock periods.
9. Total receiver startup time from power down to sleep mode is  $t_{PD2SM\_RX} + 2$  peripheral bridge clock periods. Bias block remains enabled in sleep mode.
10. Absolute min =  $0.15\text{ V} - (285\text{ mV}/2) = 0\text{ V}$
11. Absolute max =  $1.6\text{ V} + (285\text{ mV}/2) = 1.743\text{ V}$
12. Value valid for LFAST mode. The LXRXP[0] bit in the LFAST LVDS Control Register (LCR) must be set to one to ensure proper LFAST receive timing.
13. Total internal capacitance including receiver and termination, co-bonded GPIO pads, and package contributions.

**Table 30. LFAST transmitter electrical characteristics<sup>(1),(2),(3)</sup>**

| Symbol            |    | C | Parameter                                                                                                                                                         | Conditions                      | Value |      |      | Unit |
|-------------------|----|---|-------------------------------------------------------------------------------------------------------------------------------------------------------------------|---------------------------------|-------|------|------|------|
|                   |    |   |                                                                                                                                                                   |                                 | Min   | Typ  | Max  |      |
| $f_{DATA}$        | SR | D | Data rate                                                                                                                                                         | —                               | —     | 320  | Mbps |      |
| $V_{OS}$          | CC | P | Common mode voltage                                                                                                                                               | —                               | 1.08  | 1.32 | V    |      |
| $ \Delta V_{OD} $ | CC | P | Differential output voltage swing (terminated) <sup>(4),(5)</sup>                                                                                                 | —                               | 110   | 285  | mV   |      |
| $t_{TR}$          | CC | T | Rise time from $- \Delta V_{OD}(\text{min}) $ to $+ \Delta V_{OD}(\text{min}) $ . Fall time from $+ \Delta V_{OD}(\text{min}) $ to $- \Delta V_{OD}(\text{min}) $ | —                               | 0.26  | 1.25 | ns   |      |
| $C_L$             | SR | D | External lumped differential load capacitance <sup>(4)</sup>                                                                                                      | $V_{DD\_HV\_IO} = 4.5\text{ V}$ | —     | —    | 6.0  | pF   |
|                   |    |   |                                                                                                                                                                   | $V_{DD\_HV\_IO} = 3.0\text{ V}$ | —     | —    | 4.0  |      |
| $I_{LVDS\_TX}$    | CC | C | Transmitter DC current consumption                                                                                                                                | Enabled                         | —     | —    | 3.6  | mA   |
| $I_{PIN\_TX}$     | CC | D | Transmitter DC current sourced through output pin                                                                                                                 | —                               | 1.1   | —    | 2.85 | mA   |

1. This table is applicable to LFAST LVDS pads used in LFAST configuration (SIUL2\_MSCR\_IO\_n.ODC=101).
2. The LFAST and High-Speed Debug LFAST pad electrical characteristics are based on worst case internal capacitance values shown in [Figure 12](#).
3. All LFAST and High-Speed Debug LVDS pad electrical characteristics are valid from  $-40\text{ °C}$  to  $150\text{ °C}$ .
4. Valid for maximum data rate  $f_{DATA}$ . Value given is the capacitance on each terminal of the differential pair, as shown in [Figure 12](#).
5. Valid for maximum external load  $C_L$ .

Figure 12. LVDS pad external load diagram



### 4.14.3 LFAST PLL electrical characteristics

The following table contains the electrical characteristics for the LFAST PLL.

Table 31. LFAST PLL electrical characteristics<sup>(1)</sup>

| Symbol             | C  | Parameter | Conditions                                | Value                  |                   |     | Unit               |     |
|--------------------|----|-----------|-------------------------------------------|------------------------|-------------------|-----|--------------------|-----|
|                    |    |           |                                           | Min                    | Typ               | Max |                    |     |
| $f_{RF\_REF}$      | SR | D         | PLL reference clock frequency (CLKIN)     | —                      | 10 <sup>(2)</sup> | —   | 30                 | MHz |
| ERR <sub>REF</sub> | CC | D         | PLL reference clock frequency error       | —                      | -1                | —   | 1                  | %   |
| DC <sub>REF</sub>  | CC | D         | PLL reference clock duty cycle (CLKIN)    | —                      | 30                | —   | 70                 | %   |
| PN                 | CC | D         | Integrated phase noise (single side band) | $f_{RF\_REF} = 20$ MHz | —                 | —   | -58                | dBc |
| $f_{VCO}$          | CC | P         | PLL VCO frequency                         | —                      | 312               | —   | 320 <sup>(3)</sup> | MHz |
| $t_{LOCK}$         | CC | D         | PLL phase lock                            | —                      | —                 | —   | 150 <sup>(4)</sup> | μs  |

**Table 31. LFAST PLL electrical characteristics<sup>(1)</sup> (continued)**

| Symbol                          | C  | Parameter                                       | Conditions                                              | Value |     |     | Unit |
|---------------------------------|----|-------------------------------------------------|---------------------------------------------------------|-------|-----|-----|------|
|                                 |    |                                                 |                                                         | Min   | Typ | Max |      |
| $\Delta\text{PER}_{\text{REF}}$ | SR | Input reference clock jitter (peak to peak)     | Single period,<br>$f_{\text{RF\_REF}} = 20 \text{ MHz}$ | —     | —   | 350 | ps   |
|                                 |    |                                                 | Long term,<br>$f_{\text{RF\_REF}} = 20 \text{ MHz}$     | -500  | —   | 500 | ps   |
| $\Delta\text{PER}_{\text{EYE}}$ | CC | Output Eye Jitter (peak to peak) <sup>(5)</sup> | —                                                       | —     | —   | 400 | ps   |

1. The specifications in this table apply to both the interprocessor bus and debug LFAST interfaces.
2. If the input frequency is lower than 20 MHz, it is required to set a input division factor of 1.
3. The 320 MHz frequency is achieved with a 20 MHz reference clock.
4. The total lock time is the sum of the coarse lock time plus the programmable lock delay time 2 clock cycles of the peripheral bridge clock that is connected to the PLL on the device (to set the PLL enable bit).
5. Measured at the transmitter output across a 100 Ω termination resistor on a device evaluation board. See [Figure 12](#).

## 4.15 Power management

The power management module monitors the different power supplies as well as it generates the required internal supplies. The device can operate in the following configurations:

**Table 32. Power management regulators**

| Device   | External regulator | Internal SMPS regulator | Internal linear regulator external ballast | Internal linear regulator internal ballast | Auxiliary regulator | Clamp regulator | Internal standby regulator <sup>(1)</sup> |
|----------|--------------------|-------------------------|--------------------------------------------|--------------------------------------------|---------------------|-----------------|-------------------------------------------|
| SPC584Bx | —                  | —                       | X <sup>(2)</sup>                           | X                                          | X                   | X               | X                                         |

- Standby regulator is automatically activated when the device enters standby mode.
- For compatibility purpose with SPC584Cx/SPC58ECx, or for the optimization of the power dissipation, the operability of the device with external ballast can be used. The external ballast option is available only on specific devices, contact the local sales.

### 4.15.1 Power management integration

Use the integration schemes provided below to ensure the proper device function, according to the selected regulator configuration.

The internal regulators are supplied by  $V_{DD\_HV\_IO\_MAIN}$  supply and are used to generate  $V_{DD\_LV}$  supply.

Place capacitances on the board as near as possible to the associated pins and limit the serial inductance of the board to less than 5 nH.

It is recommended to use the internal regulators only to supply the device itself.

Figure 13. Internal regulator with external ballast mode

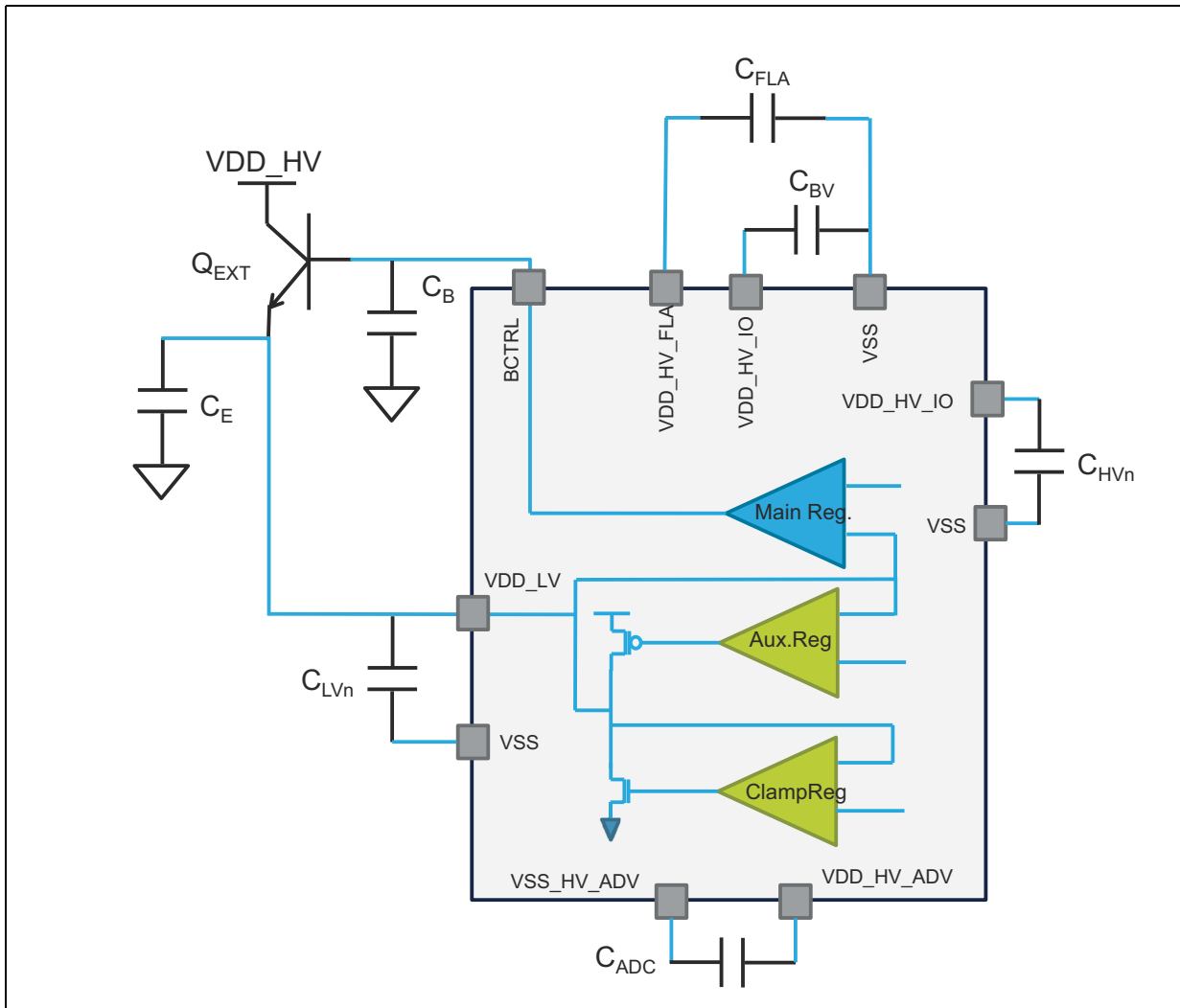




Figure 14. Internal regulator with internal ballast mode

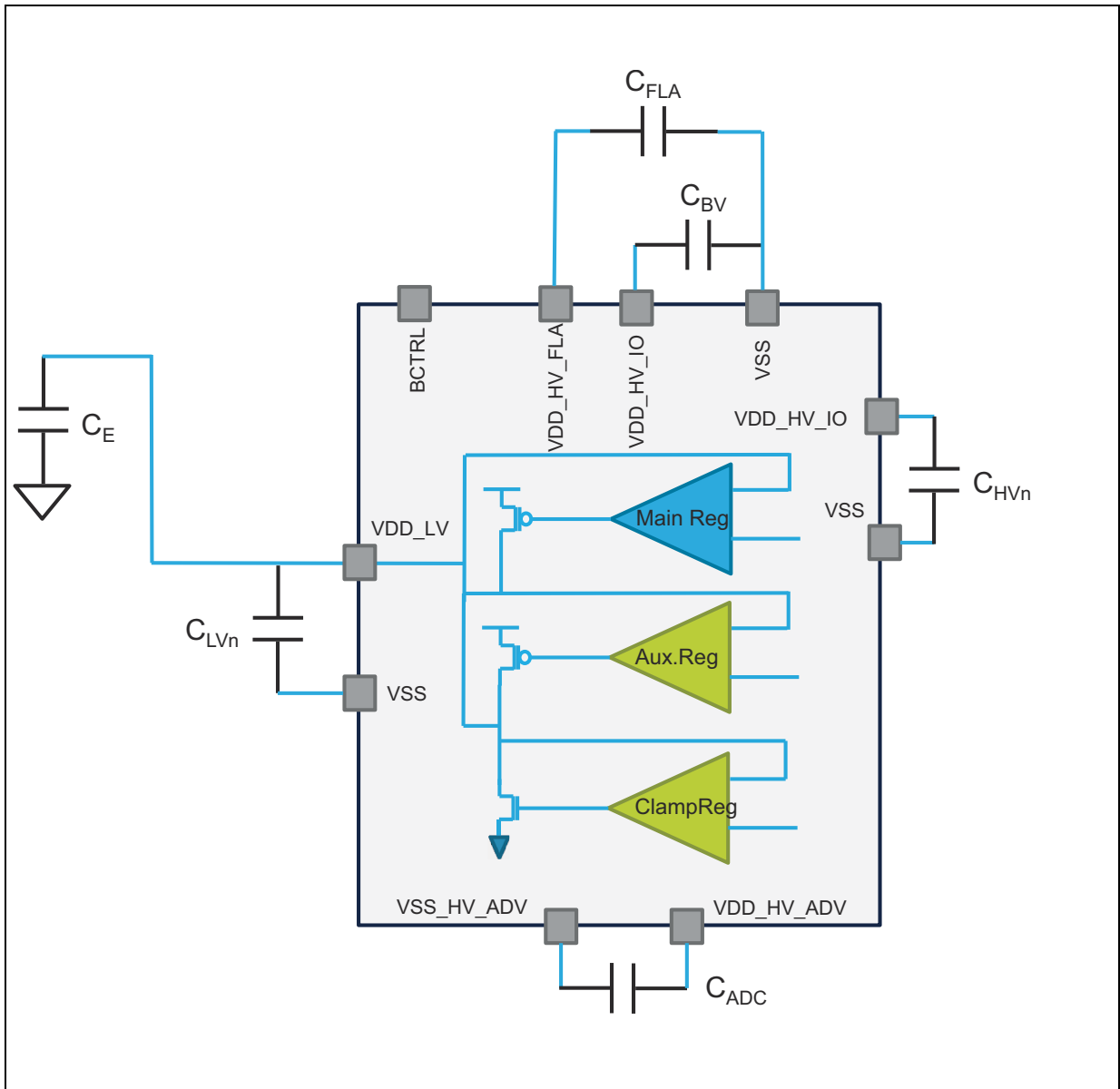


Figure 15. Standby regulator with external ballast mode

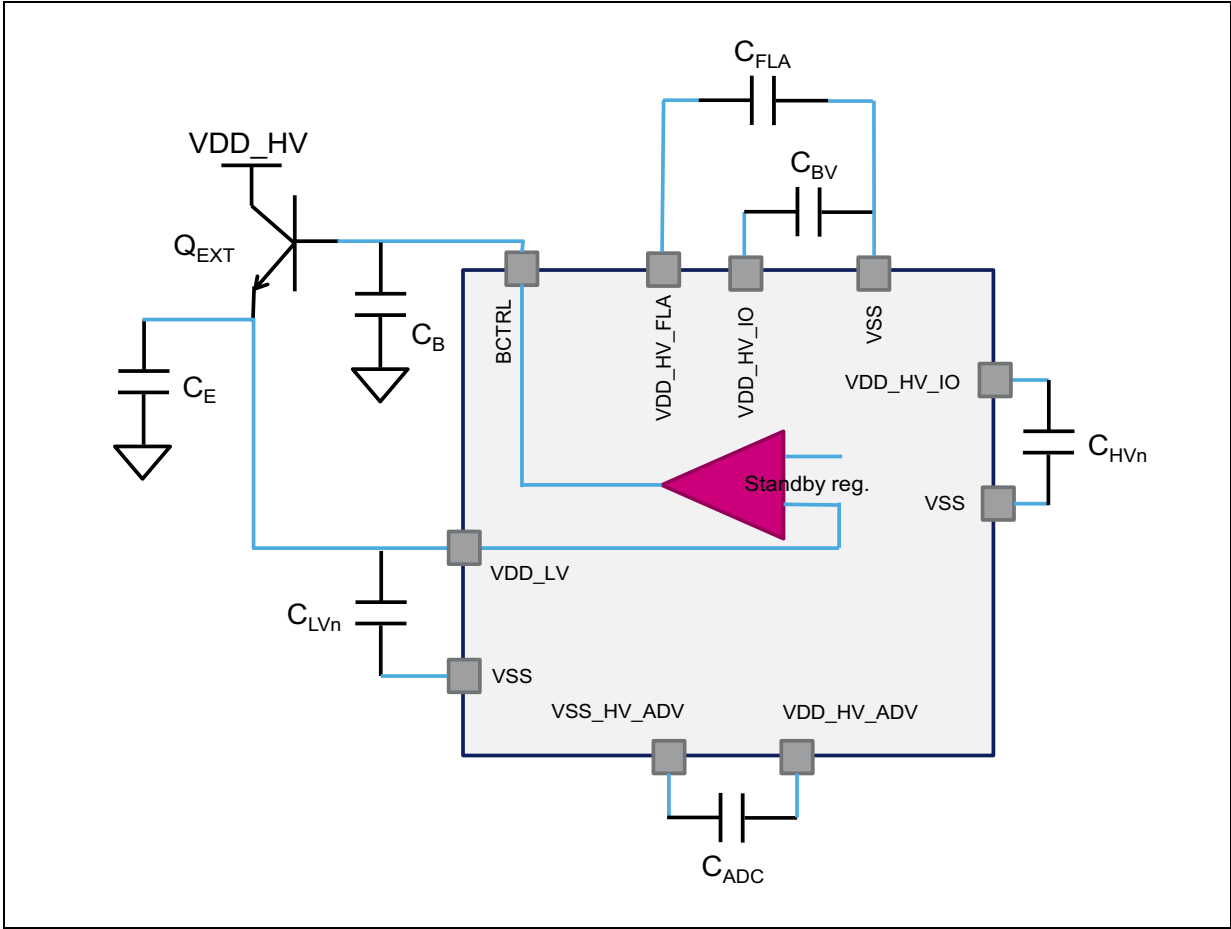


Figure 16. Standby regulator with internal ballast mode

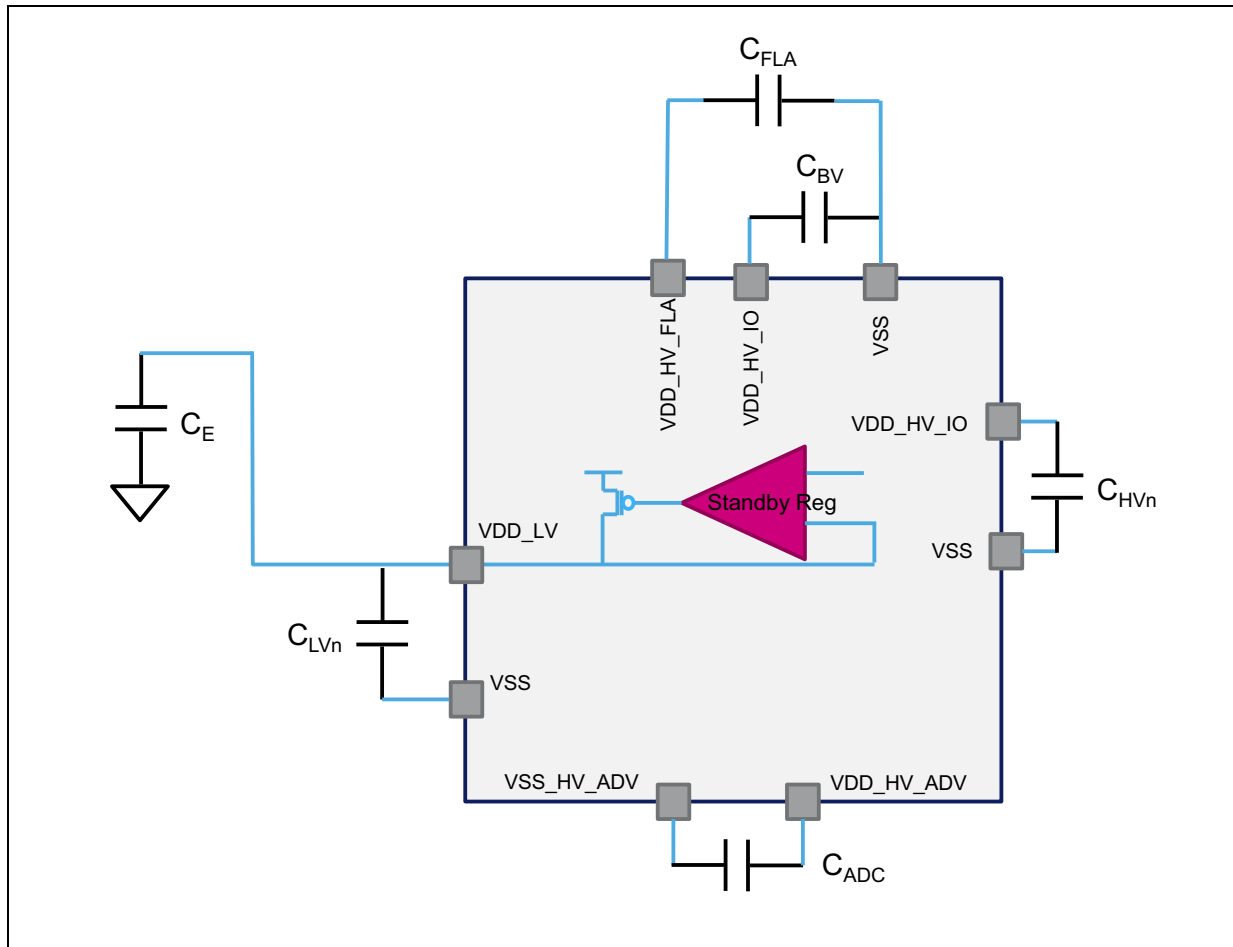


Table 33. External components integration

| Symbol                   | C  | Parameter | Conditions <sup>(1)</sup>                                                         | Value                                                             |     |     | Unit |                  |
|--------------------------|----|-----------|-----------------------------------------------------------------------------------|-------------------------------------------------------------------|-----|-----|------|------------------|
|                          |    |           |                                                                                   | Min                                                               | Typ | Max |      |                  |
| <b>Common Components</b> |    |           |                                                                                   |                                                                   |     |     |      |                  |
| $C_E$                    | SR | D         | Internal voltage regulator stability external capacitance <sup>(2) (3)</sup>      | —                                                                 | 1.1 | 2.2 | 3.0  | $\mu\text{F}$    |
| $R_E$                    | SR | D         | Stability capacitor equivalent serial resistance                                  | Total resistance including board track                            | —   | —   | 50   | $\text{m}\Omega$ |
| $C_{LVn}$                | SR | D         | Internal voltage regulator decoupling external capacitance <sup>(3) (4) (5)</sup> | Each $V_{DD\_LV}/V_{SS}$ pair                                     | —   | 47  | —    | $\text{nF}$      |
| $R_{LVn}$                | SR | D         | Stability capacitor equivalent serial resistance                                  | —                                                                 | —   | —   | 50   | $\text{m}\Omega$ |
| $C_{BV}$                 | SR | D         | Bulk capacitance for HV supply <sup>(3)</sup>                                     | on one $V_{DD\_HV\_IO\_MAIN}/V_{SS}$ pair                         | —   | 4.7 | —    | $\mu\text{F}$    |
| $C_{HVn}$                | SR | D         | Decoupling capacitance for ballast and IOs <sup>(3)</sup>                         | on all $V_{DD\_HV\_IO}/V_{SS}$ and $V_{DD\_HV\_ADR}/V_{SS}$ pairs | —   | 100 | —    | $\text{nF}$      |

**Table 33. External components integration (continued)**

| Symbol                                                      | C  | D | Parameter                                                                                    | Conditions <sup>(1)</sup>                            | Value |     |                            | Unit |
|-------------------------------------------------------------|----|---|----------------------------------------------------------------------------------------------|------------------------------------------------------|-------|-----|----------------------------|------|
|                                                             |    |   |                                                                                              |                                                      | Min   | Typ | Max                        |      |
| C <sub>FLA</sub>                                            | SR | D | Decoupling capacitance for Flash supply <sup>(6)</sup>                                       | —                                                    | —     | 10  | —                          | nF   |
| C <sub>ADC</sub>                                            | SR | D | ADC supply external capacitance <sup>(2)</sup>                                               | V <sub>DD_HV_ADV</sub> /V <sub>SS_HV_ADV</sub> pair. | —     | 1   | —                          | μF   |
| <b>Internal Linear Regulator with External Ballast Mode</b> |    |   |                                                                                              |                                                      |       |     |                            |      |
| Q <sub>EXT</sub>                                            | SR | D | Recommended external NPN transistors                                                         | NJD2873T4, BCP68                                     |       |     |                            |      |
| V <sub>Q</sub>                                              | SR | D | External NPN transistor collector voltage                                                    | —                                                    | 2.0   | —   | V <sub>DD_HV_IO_MAIN</sub> | V    |
| C <sub>B</sub>                                              | SR | D | Internal voltage regulator stability external capacitance on ballast base <sup>(4) (7)</sup> | —                                                    | —     | 2.2 | —                          | μF   |
| R <sub>B</sub>                                              | SR | D | Stability capacitor equivalent serial resistance                                             | Total resistance including board track               | —     | —   | 50                         | mΩ   |

1. V<sub>DD</sub> = 3.3 V ± 10 % / 5.0 V ± 10 %, T<sub>J</sub> = -40 / 150 °C, unless otherwise specified.
2. Recommended X7R or X5R ceramic -50 % / +35 % variation across process, temperature, voltage and after aging.
3. CE capacitance is required both in internal and external regulator mode.
4. For noise filtering, add a high frequency bypass capacitance of 10 nF.
5. For applications it is recommended to implement at least 5 C<sub>LV</sub> capacitances.
6. Recommended X7R capacitors. For noise filtering, add a high frequency bypass capacitance of 100 nF.
7. CB capacitance is required if only the external ballast is implemented.

## 4.15.2 Voltage regulators

Table 34. Linear regulator specifications

| Symbol           | C  | Parameter | Conditions                                                                                                                                          | Value                              |      |      | Unit |    |
|------------------|----|-----------|-----------------------------------------------------------------------------------------------------------------------------------------------------|------------------------------------|------|------|------|----|
|                  |    |           |                                                                                                                                                     | Min                                | Typ  | Max  |      |    |
| $V_{MREG}$       | CC | P         | Main regulator output voltage                                                                                                                       | Power-up, before trimming, no load | 1.14 | 1.22 | 1.30 | V  |
|                  | CC | P         |                                                                                                                                                     | After trimming, maximum load       | 1.09 | 1.19 | 1.24 |    |
| $IDDMREG$        | CC | T         | Main regulator current provided to $V_{DD\_LV}$ domain                                                                                              | Internal ballast                   | —    | —    | 325  | mA |
|                  |    |           | The maximum current supported is the sum of the Main Regulator and the Auxiliary Regulator maximum current both regulators are working in parallel. | External ballast                   | —    | —    | 450  |    |
| $IDDClamp$       | CC | D         | Main regulator rush current sunk from $V_{DD\_HV\_IO\_MAIN}$ domain during $V_{DD\_LV}$ domain loading                                              | Power-up condition                 | —    | —    | 150  | mA |
| $\Delta IDDMREG$ | CC | T         | Main regulator output current variation                                                                                                             | 20 $\mu$ s observation window      | -100 | —    | 100  | mA |
| $I_{MREGINT}$    | CC | D         | Main regulator current consumption                                                                                                                  | $I_{MREG} = \text{max}$            | —    | —    | 17   | mA |
|                  |    |           |                                                                                                                                                     | $I_{MREG} = 0 \text{ mA}$          | —    | —    | —    |    |

Table 35. Auxiliary regulator specifications

| Symbol          | C  | Parameter | Conditions                                            | Value                                   |      |      | Unit |    |
|-----------------|----|-----------|-------------------------------------------------------|-----------------------------------------|------|------|------|----|
|                 |    |           |                                                       | Min                                     | Typ  | Max  |      |    |
| $V_{AUX}$       | CC | P         | Aux regulator output voltage                          | After trimming, internal regulator mode | 1.09 | 1.19 | 1.22 | V  |
| $IDDAUX$        | CC | T         | Aux regulator current provided to $V_{DD\_LV}$ domain | —                                       | —    | —    | 150  | mA |
| $\Delta IDDAUX$ | CC | T         | Aux regulator current variation                       | 20 $\mu$ s observation window           | -100 | —    | 100  | mA |
| $I_{AUXINT}$    | CC | D         | Aux regulator current consumption                     | $I_{MREG} = \text{max}$                 | —    | —    | 1.1  | mA |
|                 |    |           |                                                       | $I_{MREG} = 0 \text{ mA}$               | —    | —    | 1.1  |    |

**Table 36. Clamp regulator specifications**

| Symbol                  | C  | Parameter | Conditions                          | Value                                   |      |      | Unit |    |
|-------------------------|----|-----------|-------------------------------------|-----------------------------------------|------|------|------|----|
|                         |    |           |                                     | Min                                     | Typ  | Max  |      |    |
| $V_{CLAMP}$             | CC | P         | Clamp regulator output voltage      | After trimming, internal regulator mode | 1.18 | 1.22 | 1.33 | V  |
| $\Delta I_{DD_{CLAMP}}$ | CC | T         | Clamp regulator current variation   | 20 $\mu$ s observation window           | -100 | —    | 100  | mA |
| $I_{CLAMPINT}$          | CC | D         | Clamp regulator current consumption | $I_{MREG} = 0$ mA                       | —    | —    | 0.7  | mA |

**Table 37. Standby regulator specifications**

| Symbol         | C  | Parameter | Conditions                                                | Value                        |      |      | Unit |    |
|----------------|----|-----------|-----------------------------------------------------------|------------------------------|------|------|------|----|
|                |    |           |                                                           | Min                          | Typ  | Max  |      |    |
| $V_{SBY}$      | CC | P         | Standby regulator output voltage                          | After trimming, maximum load | 1.02 | 1.06 | 1.26 | V  |
| $I_{DD_{SBY}}$ | CC | T         | Standby regulator current provided to $V_{DD\_LV}$ domain | External Ballast             | —    | —    | 50   | mA |
|                |    |           |                                                           | Internal Ballast             | —    | —    | 10   |    |

### 4.15.3 Voltage monitors

The monitors and their associated levels for the device are given in [Table 38](#). [Figure 17](#) illustrates the workings of voltage monitoring threshold.

Figure 17. Voltage monitor threshold definition

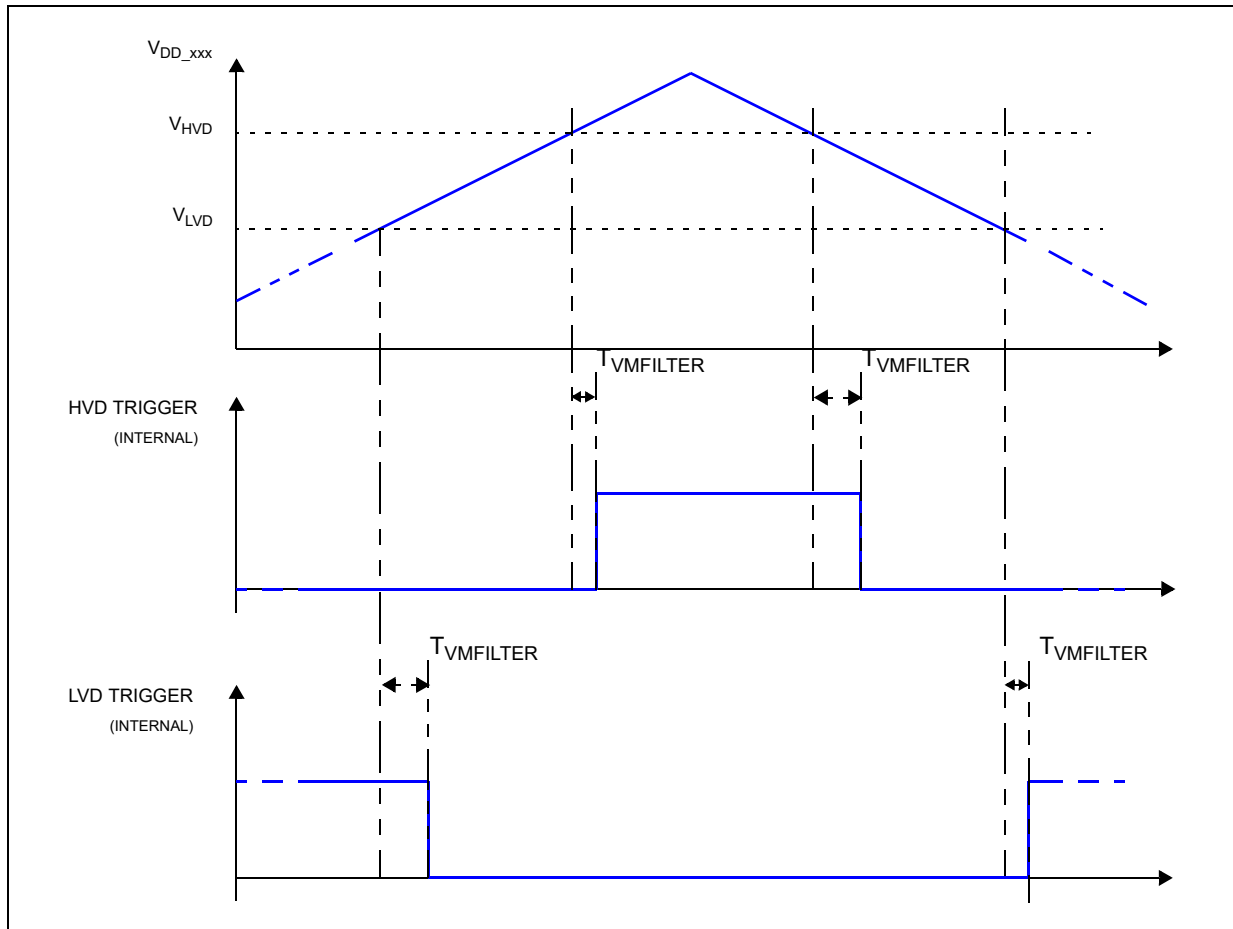


Table 38. Voltage monitor electrical characteristics

| Symbol                       | C  | Supply/Parameter <sup>(1)</sup> | Conditions                          | Value <sup>(2)</sup> |      |      | Unit |   |
|------------------------------|----|---------------------------------|-------------------------------------|----------------------|------|------|------|---|
|                              |    |                                 |                                     | Min                  | Typ  | Max  |      |   |
| PowerOn Reset HV             |    |                                 |                                     |                      |      |      |      |   |
| $V_{POR200\_C}$              | CC | P                               | $V_{DD\_HV\_IO\_MAIN}$              | —                    | 1.80 | 2.18 | 2.40 | V |
| Minimum Voltage Detectors HV |    |                                 |                                     |                      |      |      |      |   |
| $V_{MVD270\_C}$              | CC | P                               | $V_{DD\_HV\_IO\_MAIN}$              | —                    | 2.71 | 2.76 | 2.80 | V |
| $V_{MVD270\_F}$              | CC | P                               | $V_{DD\_HV\_FLA}$                   | —                    | 2.71 | 2.76 | 2.80 | V |
| $V_{MVD270\_SBY}$            | CC | P                               | $V_{DD\_HV\_IO\_MAIN}$ (in Standby) | —                    | 2.71 | 2.76 | 2.80 | V |
| Low Voltage Detectors HV     |    |                                 |                                     |                      |      |      |      |   |
| $V_{LVD290\_C}$              | CC | P                               | $V_{DD\_HV\_IO\_MAIN}$              | —                    | 2.89 | 2.94 | 2.99 | V |
| $V_{LVD290\_F}$              | CC | P                               | $V_{DD\_HV\_FLA}$                   | —                    | 2.89 | 2.94 | 2.99 | V |
| $V_{LVD290\_AS}$             | CC | P                               | $V_{DD\_HV\_ADV}$ (ADCSAR pad)      | —                    | 2.89 | 2.94 | 2.99 | V |
| $V_{LVD290\_IF}$             | CC | P                               | $V_{DD\_HV\_IO\_ETH}$               | —                    | 2.89 | 2.94 | 2.99 | V |
| $V_{LVD400\_AS}$             | CC | P                               | $V_{DD\_HV\_ADV}$ (ADCSAR pad)      | —                    | 4.15 | 4.23 | 4.31 | V |

**Table 38. Voltage monitor electrical characteristics (continued)**

| Symbol                       | C  | P | Supply/Parameter <sup>(1)</sup>       | Conditions | Value <sup>(2)</sup> |      |      | Unit |
|------------------------------|----|---|---------------------------------------|------------|----------------------|------|------|------|
|                              |    |   |                                       |            | Min                  | Typ  | Max  |      |
| V <sub>LVD400_IM</sub>       | CC | P | V <sub>DD_HV_IO_MAIN</sub>            | —          | 4.15                 | 4.23 | 4.31 | V    |
| V <sub>LVD400_IF</sub>       | CC | P | V <sub>DD_HV_IO_ETH</sub>             | —          | 4.15                 | 4.23 | 4.31 | V    |
| High Voltage Detectors HV    |    |   |                                       |            |                      |      |      |      |
| V <sub>HVD400_IF</sub>       | CC | P | V <sub>DD_HV_IO_ETH</sub>             | —          | 3.68                 | 3.75 | 3.82 | V    |
| Upper Voltage Detectors HV   |    |   |                                       |            |                      |      |      |      |
| V <sub>UVD600_F</sub>        | CC | P | V <sub>DD_HV_FLA</sub>                | —          | 5.72                 | 5.82 | 5.92 | V    |
| V <sub>UVD600_IF</sub>       | CC | P | V <sub>DD_HV_IO_ETH</sub>             | —          | 5.72                 | 5.82 | 5.92 | V    |
| PowerOn Reset LV             |    |   |                                       |            |                      |      |      |      |
| V <sub>POR031_C</sub>        | CC | P | V <sub>DD_LV</sub>                    | —          | 0.29                 | 0.60 | 0.97 | V    |
| Minimum Voltage Detectors LV |    |   |                                       |            |                      |      |      |      |
| V <sub>MVD082_C</sub>        | CC | P | V <sub>DD_LV</sub>                    | —          | 0.85                 | 0.88 | 0.91 | V    |
| V <sub>MVD094_C</sub>        | CC | P | V <sub>DD_LV</sub>                    | —          | 0.98                 | 1.00 | 1.02 | V    |
| V <sub>MVD094_FA</sub>       | CC | P | V <sub>DD_LV</sub> (Flash)            | —          | 1.00                 | 1.02 | 1.04 | V    |
| V <sub>MVD094_FB</sub>       | CC | P | V <sub>DD_LV</sub> (Flash)            | —          | 1.00                 | 1.02 | 1.04 | V    |
| Low Voltage Detectors LV     |    |   |                                       |            |                      |      |      |      |
| V <sub>LVD100_C</sub>        | CC | P | V <sub>DD_LV</sub>                    | —          | 1.06                 | 1.08 | 1.11 | V    |
| V <sub>LVD100_SB</sub>       | CC | P | V <sub>DD_LV</sub> (In Standby)       | —          | 0.99                 | 1.01 | 1.03 | V    |
| V <sub>LVD100_F</sub>        | CC | P | V <sub>DD_LV</sub> (Flash)            | —          | 1.08                 | 1.10 | 1.12 | V    |
| High Voltage Detectors LV    |    |   |                                       |            |                      |      |      |      |
| V <sub>HVD134_C</sub>        | CC | P | V <sub>DD_LV</sub>                    | —          | 1.28                 | 1.31 | 1.33 | V    |
| Upper Voltage Detectors LV   |    |   |                                       |            |                      |      |      |      |
| V <sub>UVD140_C</sub>        | CC | P | V <sub>DD_LV</sub>                    | —          | 1.34                 | 1.37 | 1.39 | V    |
| V <sub>UVD140_F</sub>        | CC | P | V <sub>DD_LV</sub> (Flash)            | —          | 1.34                 | 1.37 | 1.39 | V    |
| Common                       |    |   |                                       |            |                      |      |      |      |
| T <sub>VMFILTER</sub>        | CC | D | Voltage monitor filter <sup>(3)</sup> | —          | 5                    | —    | 25   | μs   |

- Even if LVD/HVD monitor reaction is configurable, the application ensures that the device remains in the operative condition range, and the internal LVDx monitors are disabled by the application. Then an external voltage monitor with minimum threshold of V<sub>DD\_LV</sub>(min) = 1.08 V measured at the device pad, has to be implemented. For HVDx, if the application disables them, then they need to grant that V<sub>DD\_LV</sub> and V<sub>DD\_HV</sub> voltage levels stay within the limitations provided in [Section 4.2: Absolute maximum ratings](#).
- The values reported are Trimmed values, where applicable.
- See [Figure 17](#). Transitions shorter than minimum are filtered. Transitions longer than maximum are not filtered, and will be delayed by T<sub>VMFILTER</sub> time. Transitions between minimum and maximum can be filtered or not filtered, according to temperature, process and voltage variations.



### 4.16 Flash

The following table shows the Wait state configuration.

**Table 39. Wait state configuration**

| APC                | RWSC | Frequency range (MHz) |
|--------------------|------|-----------------------|
| 000 <sup>(1)</sup> | 0    | $f \leq 30$           |
|                    | 1    | $f \leq 60$           |
|                    | 2    | $f \leq 90$           |
|                    | 3    | $f \leq 120$          |
| 100 <sup>(2)</sup> | 0    | $f \leq 30$           |
|                    | 1    | $f \leq 60$           |
|                    | 2    | $f \leq 90$           |
|                    | 3    | $f \leq 120$          |
| 001 <sup>(3)</sup> | 2    | $55 < f \leq 80$      |
|                    | 3    | $55 < f \leq 120$     |

1. STD pipelined, no address anticipation.
2. No pipeline (STD + 1 Tck).
3. Pipeline with 1 Tck address anticipation.

The following table shows the Program/Erase characteristics.

**Table 40. Flash memory program and erase specifications**

| Symbol                   | Characteristics <sup>(1)(2)</sup>                                                    | Value              |   |                      |                         |   |                                    |                             |                | Unit |   |
|--------------------------|--------------------------------------------------------------------------------------|--------------------|---|----------------------|-------------------------|---|------------------------------------|-----------------------------|----------------|------|---|
|                          |                                                                                      | Typ <sup>(3)</sup> | C | Initial max          |                         |   | Typical end of life <sup>(4)</sup> | Lifetime max <sup>(5)</sup> |                |      | C |
|                          |                                                                                      |                    |   | 25 °C <sup>(6)</sup> | All temp <sup>(7)</sup> | C |                                    | < 1 K cycles                | ≤ 250 K cycles |      |   |
| t <sub>dwprogram</sub>   | Double Word (64 bits) program time [Packaged part]                                   | 43                 | C | 130                  | —                       | — | 140                                | 500                         | C              | μs   |   |
| t <sub>pprogram</sub>    | Page (256 bits) program time                                                         | 72                 | C | 240                  | —                       | — | 240                                | 1000                        | C              | μs   |   |
| t <sub>pprogrameep</sub> | Page (256 bits) program time Data Flash - EEPROM (partition 1) [Packaged part]       | 83                 | C | 264                  | —                       | — | 276                                | 1000                        | C              | μs   |   |
| t <sub>qprogram</sub>    | Quad Page (1024 bits) program time                                                   | 220                | C | 1040                 | 1200                    | P | 850                                | 2000                        | C              | μs   |   |
| t <sub>qprogrameep</sub> | Quad Page (1024 bits) program time Data Flash - EEPROM (partition 1) [Packaged part] | 245                | C | 1140                 | 1320                    | P | 978                                | 2000                        | C              | μs   |   |

Table 40. Flash memory program and erase specifications (continued)

| Symbol                     | Characteristics <sup>(1)(2)</sup>                                   | Value              |   |                      |                         |   |                                    |                             |                |   | Unit  |
|----------------------------|---------------------------------------------------------------------|--------------------|---|----------------------|-------------------------|---|------------------------------------|-----------------------------|----------------|---|-------|
|                            |                                                                     | Typ <sup>(3)</sup> | C | Initial max          |                         |   | Typical end of life <sup>(4)</sup> | Lifetime max <sup>(5)</sup> |                | C |       |
|                            |                                                                     |                    |   | 25 °C <sup>(6)</sup> | All temp <sup>(7)</sup> | C |                                    | < 1 K cycles                | ≤ 250 K cycles |   |       |
| t <sub>16kpperase</sub>    | 16 KB block pre-program and erase time                              | 190                | C | 450                  | 500                     | P | 220                                | 1000                        | —              | C | ms    |
| t <sub>32kpperase</sub>    | 32 KB block pre-program and erase time                              | 250                | C | 520                  | 600                     | P | 290                                | 1200                        | —              | C | ms    |
| t <sub>64kpperase</sub>    | 64 KB block pre-program and erase time                              | 360                | C | 700                  | 750                     | P | 420                                | 1600                        | —              | C | ms    |
| t <sub>128kpperase</sub>   | 128 KB block pre-program and erase time                             | 600                | C | 1300                 | 1600                    | P | 800                                | 4000                        | —              | C | ms    |
| t <sub>256kpperase</sub>   | 256 KB block pre-program and erase time                             | 1050               | C | 1800                 | 2400                    | P | 1600                               | 4000                        | —              | C | ms    |
| t <sub>16kprogram</sub>    | 16 KB block program time                                            | 25                 | C | 45                   | 50                      | P | 40                                 | 1000                        | —              | C | ms    |
| t <sub>32kprogram</sub>    | 32 KB block program time                                            | 50                 | C | 90                   | 100                     | P | 75                                 | 1200                        | —              | C | ms    |
| t <sub>64kprogram</sub>    | 64 KB block program time                                            | 100                | C | 175                  | 200                     | P | 150                                | 1600                        | —              | C | ms    |
| t <sub>128kprogram</sub>   | 128 KB block program time                                           | 200                | C | 350                  | 430                     | P | 300                                | 2000                        | —              | C | ms    |
| t <sub>256kprogram</sub>   | 256 KB block program time                                           | 400                | C | 700                  | 850                     | P | 590                                | 4000                        | —              | C | ms    |
| t <sub>16kprogrameep</sub> | Program 16 KB Data Flash - EEPROM (partition 1) [Packaged part]     | 30                 | C | 52                   | 58                      | P | 64                                 | 1750                        |                | C | ms    |
| t <sub>16keraseeep</sub>   | Erase 16 KB Data Flash - EEPROM (partition 1) [Packaged part]       | 220                | C | 495                  | 550                     | P | 400                                | 3600                        |                | C | ms    |
| t <sub>16kprogrameep</sub> | Program 16 KB HSM Data Flash - EEPROM (partition 1) [Packaged part] | 30                 | C | 52                   | 58                      | P | 64                                 | 1750                        |                | C | ms    |
| t <sub>16keraseeep</sub>   | Erase 16 KB HSM Data Flash - EEPROM (partition 1) [Packaged part]   | 220                | C | 495                  | 550                     | P | 400                                | 3600                        |                | C | ms    |
| t <sub>pr</sub>            | Program rate <sup>(8)</sup>                                         | 2.2                | C | 2.8                  | 3.40                    | C | 2.4                                | —                           |                | C | s/M B |
| t <sub>pr</sub>            | Erase rate <sup>(8)</sup>                                           | 4.8                | C | 7.2                  | 9.6                     | C | 6.4                                | —                           |                | C | s/M B |
| t <sub>prfm</sub>          | Program rate Factory Mode <sup>(8)</sup>                            | 1.12               | C | 1.4                  | 1.6                     | C | —                                  | —                           |                | C | s/M B |
| t <sub>erfm</sub>          | Erase rate Factory Mode <sup>(8)</sup>                              | 4.0                | C | 5.2                  | 5.8                     | C | —                                  | —                           |                | C | s/M B |
| t <sub>ffprogram</sub>     | Full flash programming time <sup>(9)</sup>                          | 3.45               | C | 6.0                  | 7.3                     | P | 5.1                                | —                           | —              | C | s     |

**Table 40. Flash memory program and erase specifications (continued)**

| Symbol                | Characteristics <sup>(1)(2)</sup>                           | Value              |   |                      |                         |                                    |                             |                |   | Unit |    |
|-----------------------|-------------------------------------------------------------|--------------------|---|----------------------|-------------------------|------------------------------------|-----------------------------|----------------|---|------|----|
|                       |                                                             | Typ <sup>(3)</sup> | C | Initial max          |                         | Typical end of life <sup>(4)</sup> | Lifetime max <sup>(5)</sup> |                | C |      |    |
|                       |                                                             |                    |   | 25 °C <sup>(6)</sup> | All temp <sup>(7)</sup> |                                    | < 1 K cycles                | ≤ 250 K cycles |   |      |    |
| t <sub>fferase</sub>  | Full flash erasing time <sup>(9)</sup>                      | 9.9                | C | 18.1                 | 23.3                    | P                                  | 14.3                        | —              | — | C    | s  |
| t <sub>ESRT</sub>     | Erase suspend request rate <sup>(10)</sup>                  | 200                | T | —                    | —                       | —                                  | —                           | —              | — | —    | µs |
| t <sub>PSRT</sub>     | Program suspend request rate <sup>(10)</sup>                | 30                 | T | —                    | —                       | —                                  | —                           | —              | — | —    | µs |
| t <sub>AMRT</sub>     | Array Integrity Check - Margin Read suspend request rate    | 15                 | T | —                    | —                       | —                                  | —                           | —              | — | —    | µs |
| t <sub>PSUS</sub>     | Program suspend latency <sup>(11)</sup>                     | —                  | — | —                    | —                       | —                                  | —                           | 12             | — | T    | µs |
| t <sub>ESUS</sub>     | Erase suspend latency <sup>(11)</sup>                       | —                  | — | —                    | —                       | —                                  | —                           | 22             | — | T    | µs |
| t <sub>AIC0S</sub>    | Array Integrity Check (2.0 MB, sequential) <sup>(12)</sup>  | 12.8               | T | —                    | —                       | —                                  | —                           | —              | — | —    | ms |
| t <sub>AIC256KS</sub> | Array Integrity Check (256 KB, sequential) <sup>(12)</sup>  | 1.5                | T | —                    | —                       | —                                  | —                           | —              | — | —    | ms |
| t <sub>AIC0P</sub>    | Array Integrity Check (2.0 MB, proprietary) <sup>(12)</sup> | 4.0                | T | —                    | —                       | —                                  | —                           | —              | — | —    | s  |
| t <sub>MR0S</sub>     | Margin Read (2.0 MB, sequential) <sup>(12)</sup>            | 35                 | T | —                    | —                       | —                                  | —                           | —              | — | —    | ms |
| t <sub>MR256KS</sub>  | Margin Read (256 KB, sequential) <sup>(12)</sup>            | 4.0                | T | —                    | —                       | —                                  | —                           | —              | — | —    | ms |

1. Characteristics are valid both for Data Flash and Code Flash, unless specified in the characteristics column.
2. Actual hardware operation times; this does not include software overhead.
3. Typical program and erase times assume nominal supply values and operation at 25 °C.
4. Typical End of Life program and erase times represent the median performance and assume nominal supply values. Typical End of Life program and erase values may be used for throughput calculations. These values are characteristic, but not tested.
5. Lifetime maximum program & erase times apply across the voltages and temperatures and occur after the specified number of program/erase cycles. These maximum values are characterized but not tested or guaranteed.
6. Initial factory condition: < 100 program/erase cycles, 25 °C typical junction temperature and nominal (± 5 %) supply voltages.
7. Initial maximum “All temp” program and erase times provide guidance for time-out limits used in the factory and apply for less than or equal to 100 program or erase cycles, -40 °C < T<sub>J</sub> < 150 °C junction temperature and nominal (± 5 %) supply voltages.
8. Rate computed based on 256 KB sectors.
9. Only code sectors, not including EEPROM.
10. Time between suspend resume and next suspend. Value stated actually represents Min value specification.
11. Timings guaranteed by design.
12. AIC is done using system clock, thus all timing is dependent on system frequency and number of wait states. Timing in the table is calculated at max frequency.

All the Flash operations require the presence of the system clock for internal synchronization. About 50 synchronization cycles are needed: this means that the timings of the previous table can be longer if a low frequency system clock is used.

**Table 41. Flash memory life specification**

| Symbol               | Characteristics <sup>(1) (2)</sup>                              | Value |   |     |   | Unit    |
|----------------------|-----------------------------------------------------------------|-------|---|-----|---|---------|
|                      |                                                                 | Min   | C | Typ | C |         |
| N <sub>CER16K</sub>  | 16 KB CODE Flash endurance                                      | 10    | — | 100 | — | Kcycles |
| N <sub>CER32K</sub>  | 32 KB CODE Flash endurance                                      | 10    | — | 100 | — | Kcycles |
| N <sub>CER64K</sub>  | 64 KB CODE Flash endurance                                      | 10    | — | 100 | — | Kcycles |
| N <sub>CER128K</sub> | 128 KB CODE Flash endurance                                     | 1     | — | 100 | — | Kcycles |
| N <sub>CER256K</sub> | 256 KB CODE Flash endurance                                     | 1     | — | 100 | — | Kcycles |
|                      | 256 KB CODE Flash endurance <sup>(3)</sup>                      | 10    | — | 100 | — | Kcycles |
| N <sub>DER16K</sub>  | 16 KB DATA EEPROM Flash endurance                               | 250   | — | —   | — | Kcycles |
| N <sub>DER16K</sub>  | 16 KB HSM DATA EEPROM Flash endurance                           | 100   | — | —   | — | Kcycles |
| t <sub>DR1k</sub>    | Minimum data retention Blocks with 0 - 1,000 P/E cycles         | 25    | — | —   | — | Years   |
| t <sub>DR10k</sub>   | Minimum data retention Blocks with 1,001 - 10,000 P/E cycles    | 20    | — | —   | — | Years   |
| t <sub>DR100k</sub>  | Minimum data retention Blocks with 10,001 - 100,000 P/E cycles  | 15    | — | —   | — | Years   |
| t <sub>DR250k</sub>  | Minimum data retention Blocks with 100,001 - 250,000 P/E cycles | 10    | — | —   | — | Years   |

1. Program and erase cycles supported across specified temperature specifications.
2. It is recommended that the application enables the core cache memory.
3. 10K cycles on 4-256 KB blocks is not intended for production. Reduced reliability and degraded erase time are possible.

## 4.17 AC specifications

All AC timing specifications are valid up to 150 °C, except where explicitly noted.

### 4.17.1 Debug and calibration interface timing

#### 4.17.1.1 JTAG interface timing

Table 42. JTAG pin AC electrical characteristics

| #  | Symbol                                | C  | Characteristic | Value <sup>(1),(2)</sup>                               |     | Unit               |    |
|----|---------------------------------------|----|----------------|--------------------------------------------------------|-----|--------------------|----|
|    |                                       |    |                | Min                                                    | Max |                    |    |
| 1  | t <sub>JCYC</sub>                     | CC | D              | TCK cycle time                                         | 100 | —                  | ns |
| 2  | t <sub>JDC</sub>                      | CC | T              | TCK clock pulse width                                  | 40  | 60                 | %  |
| 3  | t <sub>TCKRISE</sub>                  | CC | D              | TCK rise and fall times (40 %–70 %)                    | —   | 3                  | ns |
| 4  | t <sub>TMSS</sub> , t <sub>TDIS</sub> | CC | D              | TMS, TDI data setup time                               | 5   | —                  | ns |
| 5  | t <sub>TMSH</sub> , t <sub>TDIH</sub> | CC | D              | TMS, TDI data hold time                                | 5   | —                  | ns |
| 6  | t <sub>TDOV</sub>                     | CC | D              | TCK low to TDO data valid                              | —   | 15 <sup>(3)</sup>  | ns |
| 7  | t <sub>TDOI</sub>                     | CC | D              | TCK low to TDO data invalid                            | 0   | —                  | ns |
| 8  | t <sub>TDOHZ</sub>                    | CC | D              | TCK low to TDO high impedance                          | —   | 15                 | ns |
| 9  | t <sub>JCMPPW</sub>                   | CC | D              | JCOMP assertion time                                   | 100 | —                  | ns |
| 10 | t <sub>JCMPS</sub>                    | CC | D              | JCOMP setup time to TCK low                            | 40  | —                  | ns |
| 11 | t <sub>BSDV</sub>                     | CC | D              | TCK falling edge to output valid                       | —   | 600 <sup>(4)</sup> | ns |
| 12 | t <sub>BSDVZ</sub>                    | CC | D              | TCK falling edge to output valid out of high impedance | —   | 600                | ns |
| 13 | t <sub>BSDHZ</sub>                    | CC | D              | TCK falling edge to output high impedance              | —   | 600                | ns |
| 14 | t <sub>BSDST</sub>                    | CC | D              | Boundary scan input valid to TCK rising edge           | 15  | —                  | ns |
| 15 | t <sub>BSDHT</sub>                    | CC | D              | TCK rising edge to boundary scan input invalid         | 15  | —                  | ns |

1. These specifications apply to JTAG boundary scan only. See [Table 43](#) for functional specifications.
2. JTAG timing specified at V<sub>DD\_HV\_IO\_JTAG</sub> = 4.0 to 5.5 V and max. loading per pad type as specified in the I/O section of the datasheet.
3. Timing includes TCK pad delay, clock tree delay, logic delay and TDO output pad delay.
4. Applies to all pins, limited by pad slew rate. Refer to IO delay and transition specification and add 20 ns for JTAG delay.

Figure 18. JTAG test clock input timing

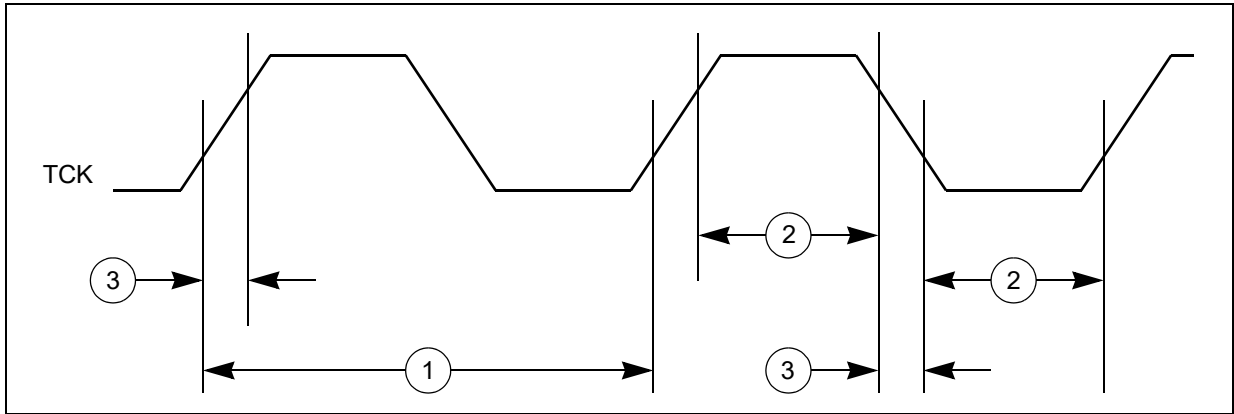


Figure 19. JTAG test access port timing

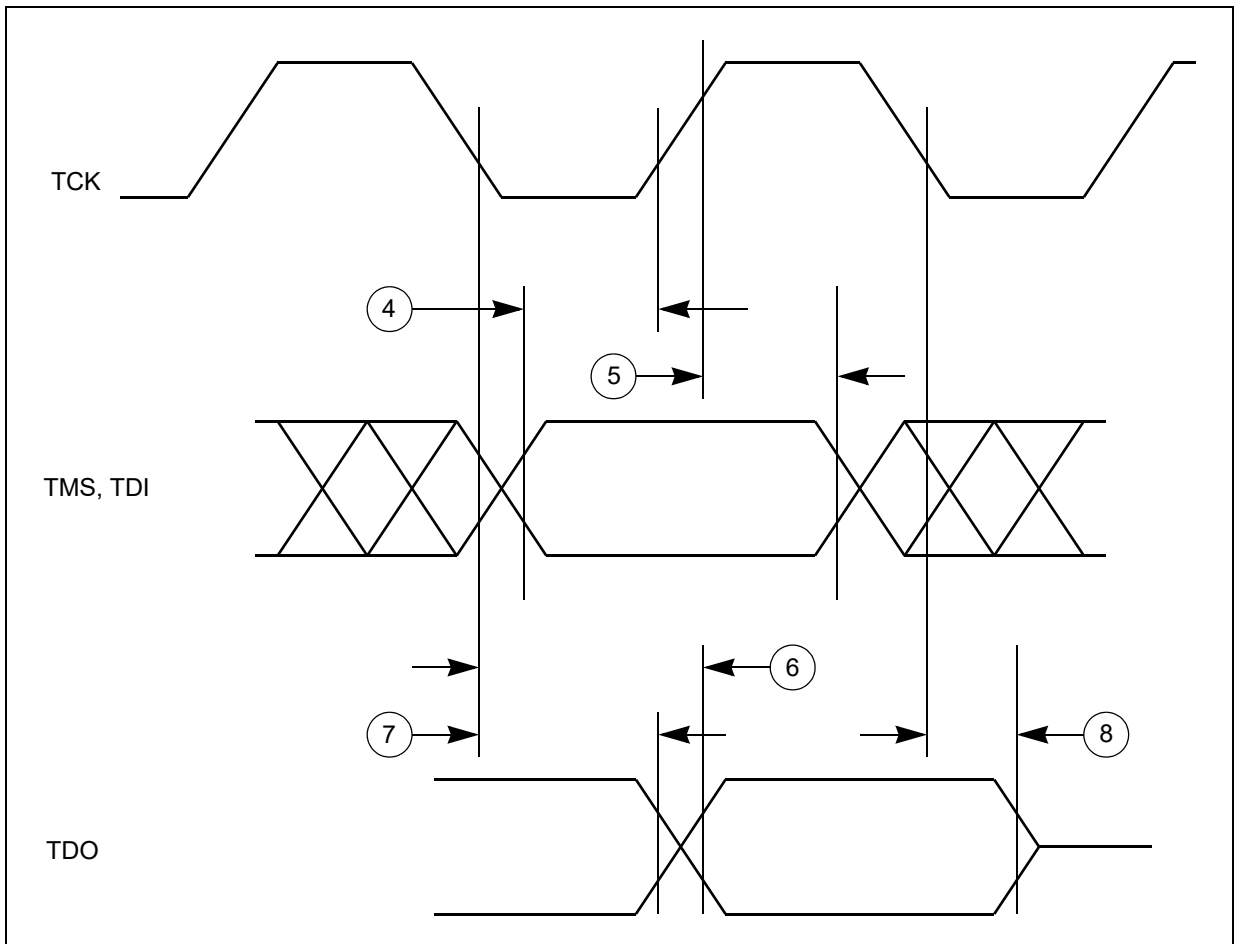


Figure 20. JTAG JCOMP timing

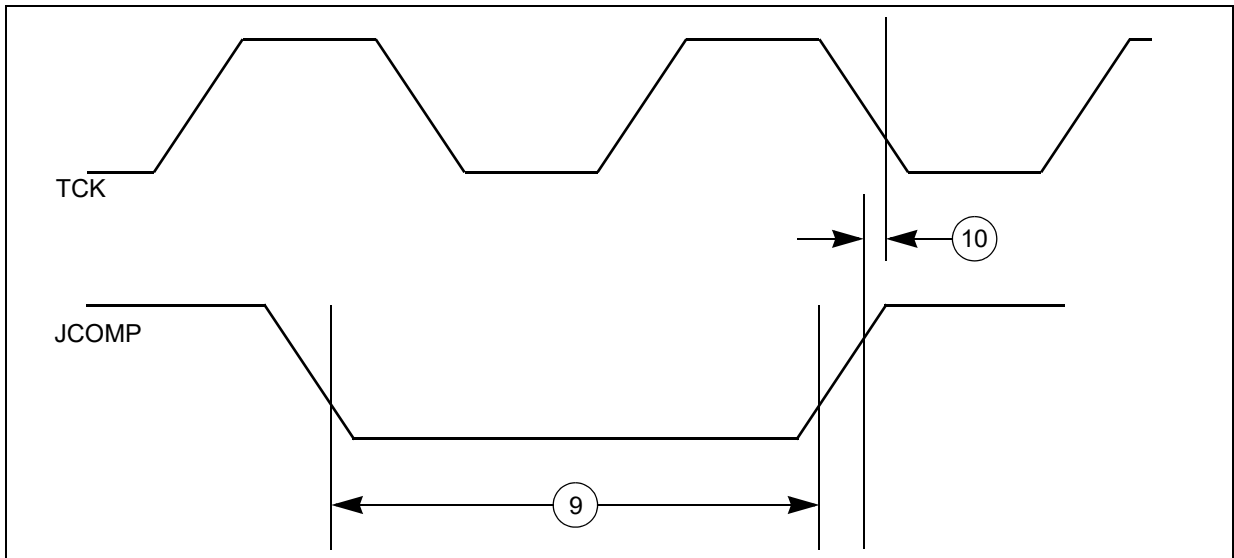
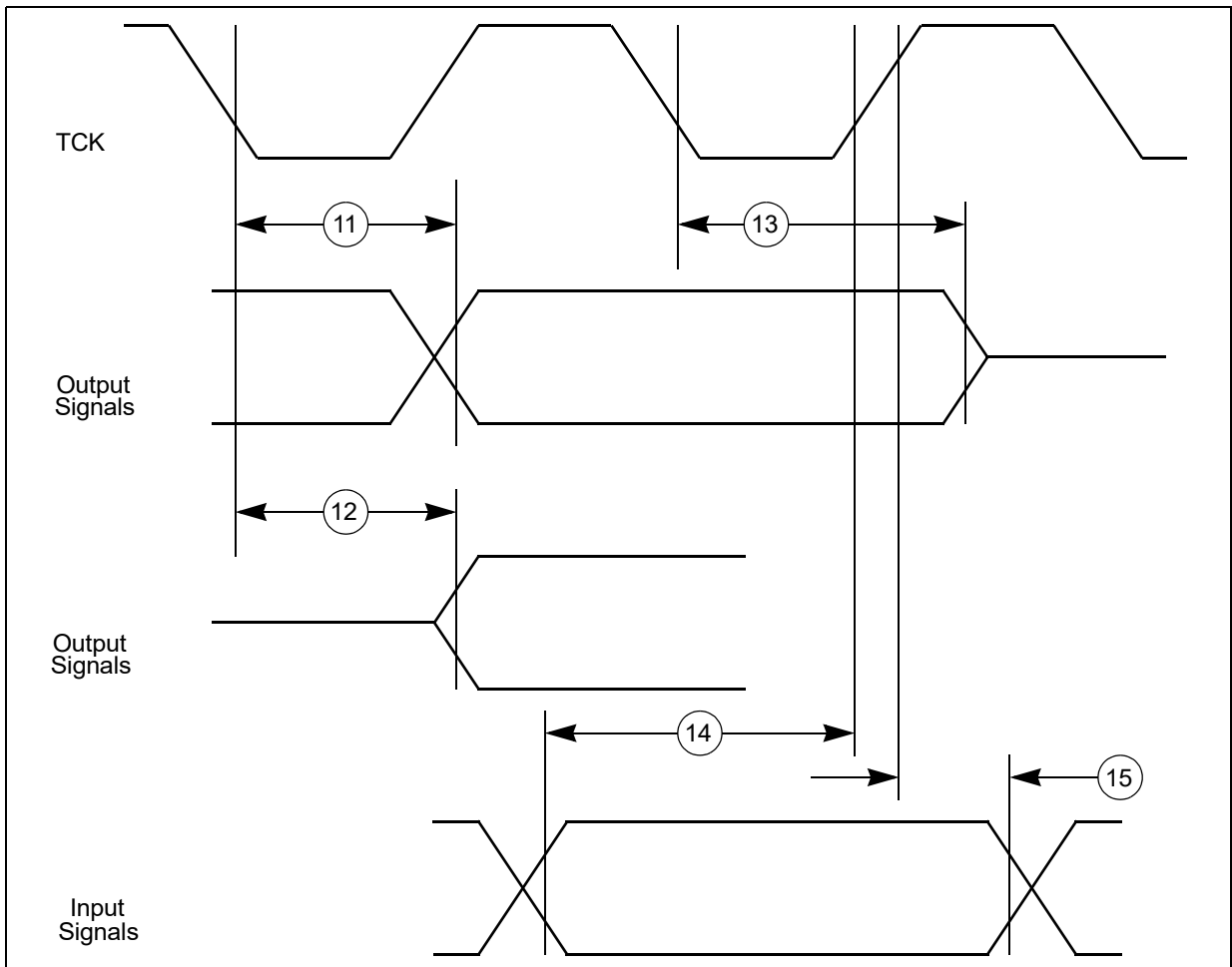


Figure 21. JTAG boundary scan timing



4.17.1.2 Nexus interface timing

Table 43. Nexus debug port timing

| #  | Symbol              | C  | Characteristic | Value <sup>(1)</sup>                                                              |                      | Unit |                                 |
|----|---------------------|----|----------------|-----------------------------------------------------------------------------------|----------------------|------|---------------------------------|
|    |                     |    |                | Min                                                                               | Max                  |      |                                 |
| 7  | t <sub>EVTIPW</sub> | CC | D              | EVTI pulse width                                                                  | 4                    | —    | t <sub>CYC</sub> <sup>(2)</sup> |
| 8  | t <sub>EVTOPW</sub> | CC | D              | EVT $\bar{O}$ pulse width                                                         | 40                   | —    | ns                              |
| 9  | t <sub>TCYC</sub>   | CC | D              | TCK cycle time                                                                    | 2 <sup>(3),(4)</sup> | —    | t <sub>CYC</sub> <sup>(2)</sup> |
|    |                     |    |                | Absolute minimum TCK cycle time <sup>(5)</sup><br>(TDO sampled on posedge of TCK) | 40 <sup>(6)</sup>    | —    | ns                              |
|    |                     |    |                | Absolute minimum TCK cycle time <sup>(7)</sup><br>(TDO sampled on negedge of TCK) | 20 <sup>(6)</sup>    | —    |                                 |
| 11 | t <sub>NTDIS</sub>  | CC | D              | TDI data setup time                                                               | 5                    | —    | ns                              |
| 12 | t <sub>NTDIH</sub>  | CC | D              | TDI data hold time                                                                | 5                    | —    | ns                              |
| 13 | t <sub>NTMSS</sub>  | CC | D              | TMS data setup time                                                               | 5                    | —    | ns                              |
| 14 | t <sub>NTMSH</sub>  | CC | D              | TMS data hold time                                                                | 5                    | —    | ns                              |
| 15 | —                   | CC | D              | TDO propagation delay from falling edge of TCK <sup>(8)</sup>                     | —                    | 16   | ns                              |
| 16 | —                   | CC | D              | TDO hold time with respect to TCK falling edge<br>(minimum TDO propagation delay) | 2.25                 | —    | ns                              |

1. Nexus timing specified at V<sub>DD\_HV\_IO\_JTAG</sub> = 3.0 V to 5.5 V, and maximum loading per pad type as specified in the I/O section of the data sheet.
2. t<sub>CYC</sub> is system clock period.
3. Achieving the absolute minimum TCK cycle time may require a maximum clock speed (system frequency / 8) that is less than the maximum functional capability of the design (system frequency / 4) depending on the actual peripheral frequency being used. To ensure proper operation TCK frequency should be set to the peripheral frequency divided by a number greater than or equal to that specified here.
4. This is a functionally allowable feature. However, it may be limited by the maximum frequency specified by the Absolute minimum TCK period specification.
5. This value is TDO propagation time 36 ns + 4 ns setup time to sampling edge.
6. This may require a maximum clock speed (system frequency / 8) that is less than the maximum functional capability of the design (system frequency / 4) depending on the actual system frequency being used.
7. This value is TDO propagation time 16 ns + 4 ns setup time to sampling edge.
8. Timing includes TCK pad delay, clock tree delay, logic delay and TDO output pad delay.



Figure 22. Nexus output timing

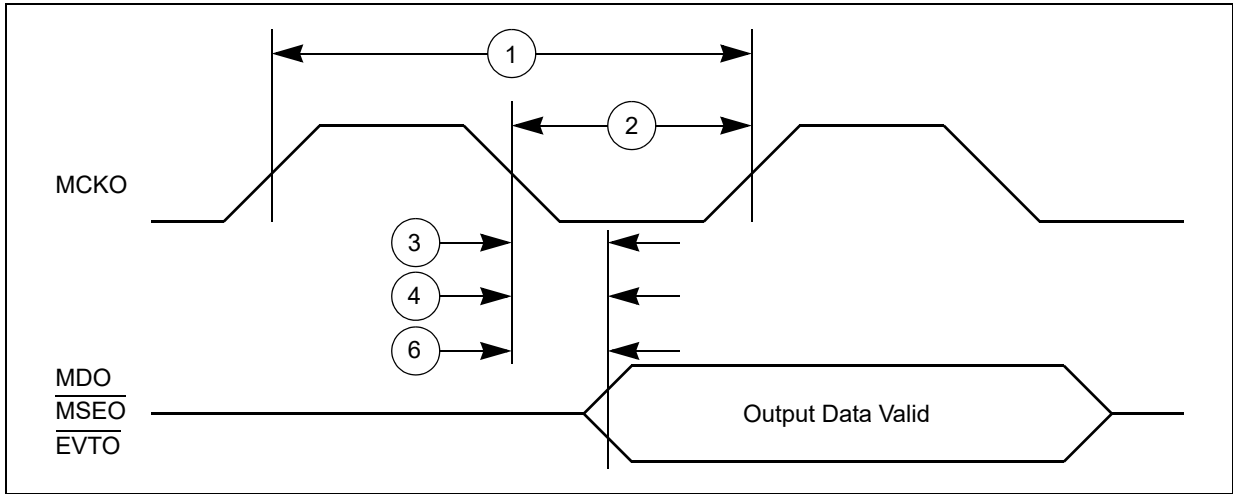


Figure 23. Nexus event trigger and test clock timings

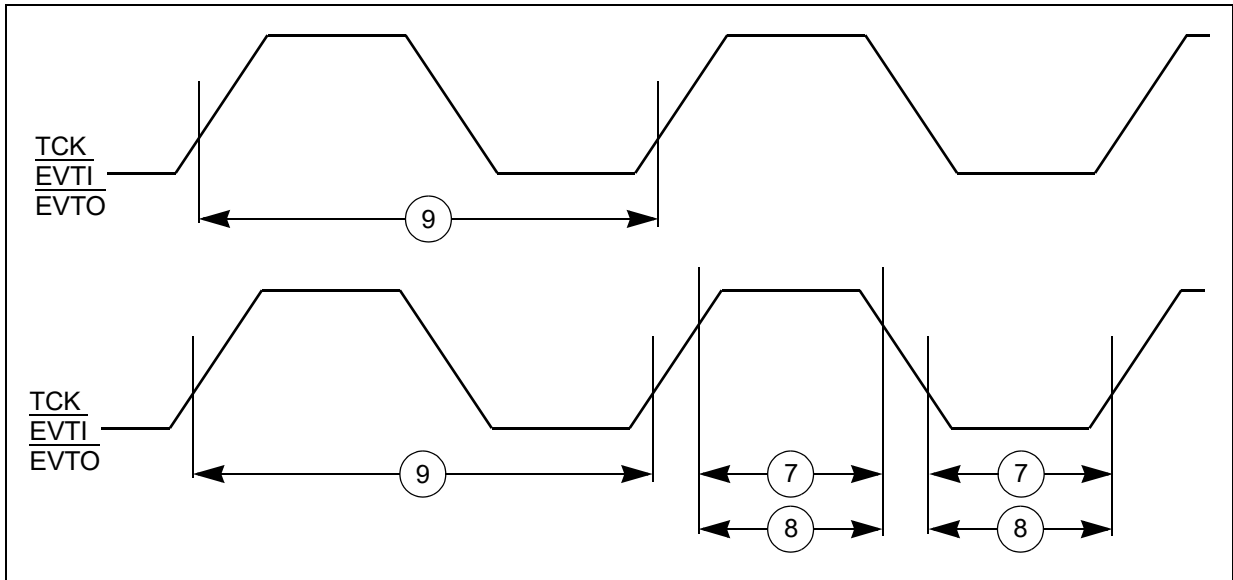
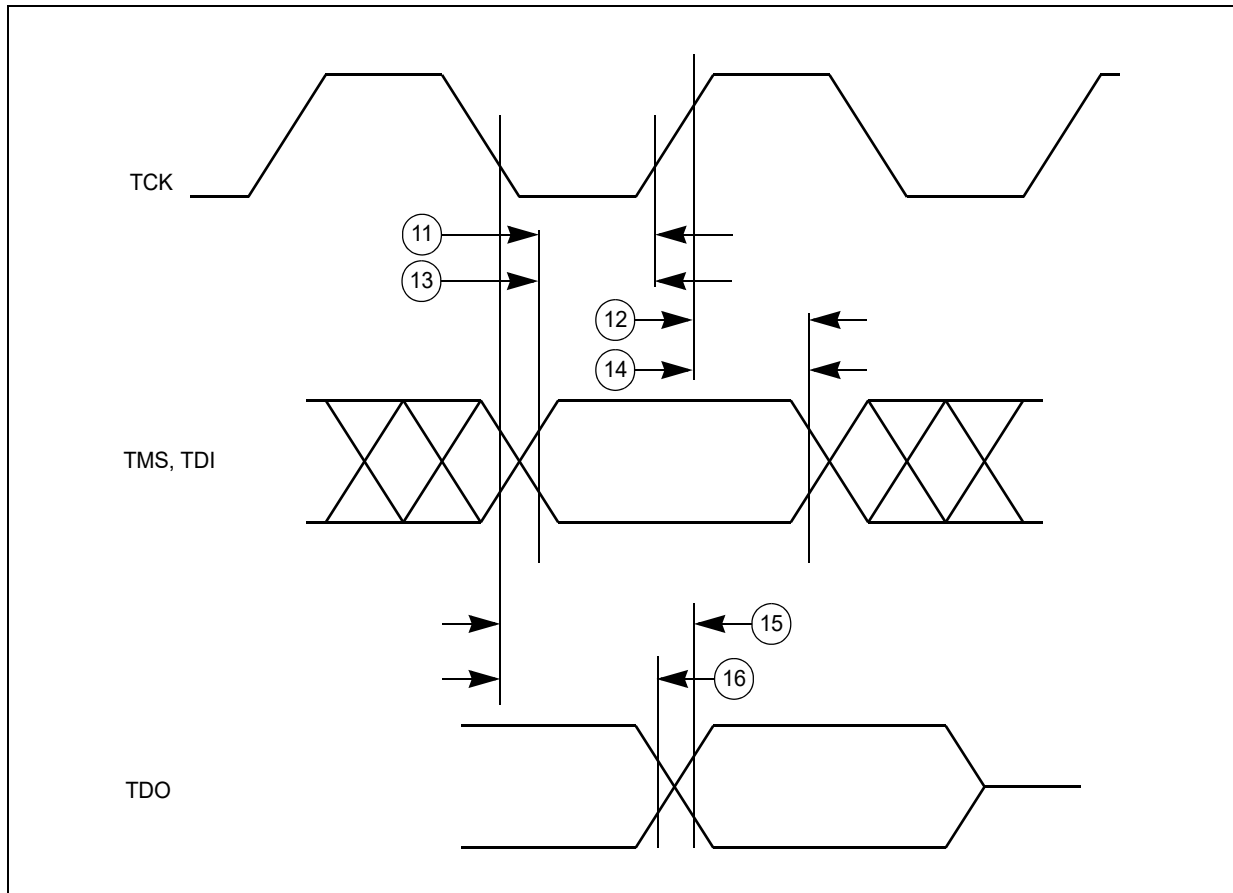


Figure 24. Nexus TDI, TMS, TDO timing



#### 4.17.1.3 External interrupt timing (IRQ pin)

Table 44. External interrupt timing

| Characteristic                       | Symbol     | Min | Max | Unit      |
|--------------------------------------|------------|-----|-----|-----------|
| IRQ Pulse Width Low                  | $t_{IPWL}$ | 3   | —   | $t_{cyc}$ |
| IRQ Pulse Width High                 | $t_{IPWH}$ | 3   | —   | $t_{cyc}$ |
| IRQ Edge to Edge Time <sup>(1)</sup> | $t_{ICYC}$ | 6   | —   | $t_{cyc}$ |

1. Applies when IRQ pins are configured for rising edge or falling edge events, but not both.

Figure 25. External interrupt timing

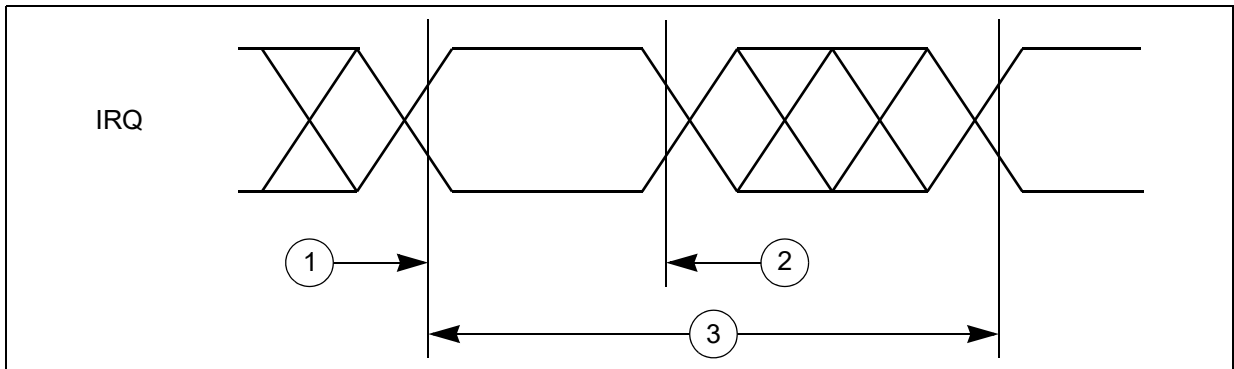
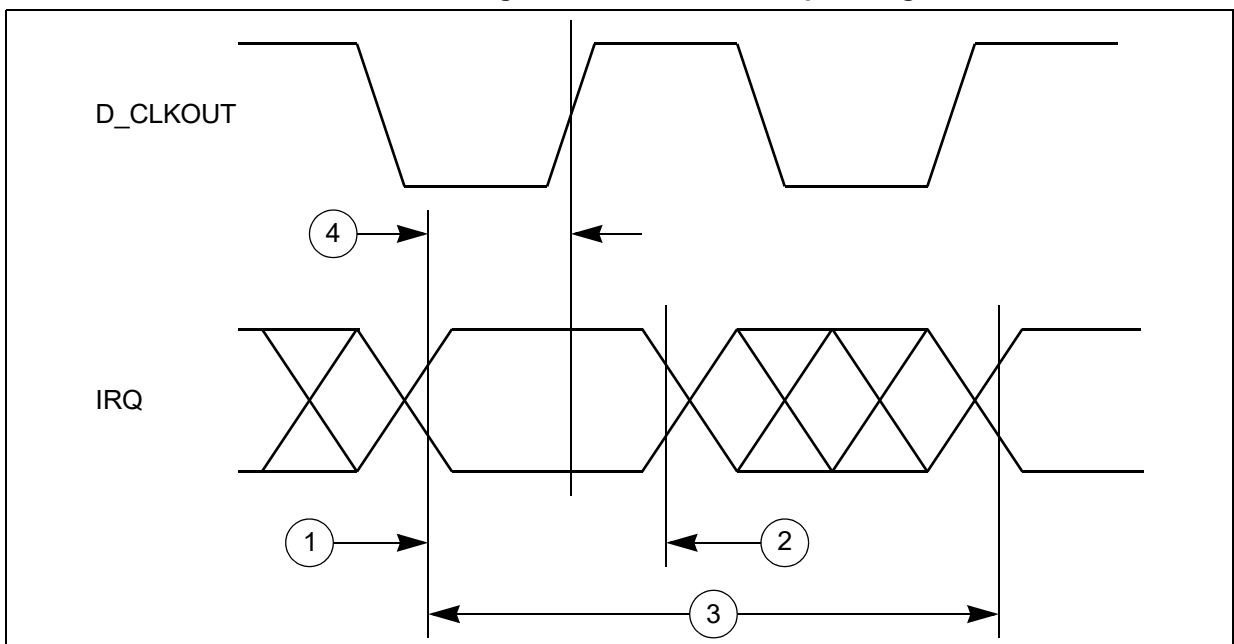


Figure 26. External interrupt timing



**4.17.2 DSPI timing with CMOS pads**

DSPI channel frequency support is shown in [Table 45](#).

Timing specifications are shown in the tables below.

**Table 45. DSPI channel frequency support**

| DSPI use mode <sup>(1)</sup> |                                                                                           |                                                 | Max usable frequency (MHz) <sup>(2),(3)</sup> |    |
|------------------------------|-------------------------------------------------------------------------------------------|-------------------------------------------------|-----------------------------------------------|----|
| CMOS (Master mode)           | Full duplex – Classic timing ( <a href="#">Table 46</a> )                                 | DSPI_0, DSPI_1, DSPI_2, DSPI_3, DSPI_5, DSPI_6, | 10                                            |    |
|                              |                                                                                           | DSPI_4                                          | 17                                            |    |
|                              | Full duplex – Modified timing ( <a href="#">Table 47</a> )                                | DSPI_0, DSPI_1, DSPI_2, DSPI_3, DSPI_5, DSPI_6, | 10                                            |    |
|                              |                                                                                           | DSPI_4                                          | 30                                            |    |
|                              | Output only mode (SCK/SOUT/PCS) ( <a href="#">Table 46</a> and <a href="#">Table 47</a> ) | DSPI_0, DSPI_1, DSPI_2, DSPI_3, DSPI_5, DSPI_6, | 10                                            |    |
|                              |                                                                                           | DSPI_4                                          | 30                                            |    |
|                              | Output only mode TSB mode (SCK/SOUT/PCS)                                                  | DSPI_0, DSPI_1, DSPI_2, DSPI_3, DSPI_5, DSPI_6, | 10                                            |    |
|                              |                                                                                           | DSPI_4                                          | 30                                            |    |
|                              | CMOS (Slave mode Full duplex) ( <a href="#">Table 48</a> )                                |                                                 | —                                             | 16 |

- Each DSPI module can be configured to use different pins for the interface. Refer to the device pinout Microsoft Excel file attached to the IO\_Definition document for the available combinations. It is not possible to reach the maximum performance with every possible combination of pins.
- Maximum usable frequency can be achieved if used with fastest configuration of the highest drive pads.
- Maximum usable frequency does not take into account external device propagation delay.

**4.17.2.1 DSPI master mode full duplex timing with CMOS pads**

**4.17.2.1.1 DSPI CMOS master mode – classic timing**

*Note:* In the following table, all output timing is worst case and includes the mismatching of rise and fall times of the output pads.

**Table 46. DSPI CMOS master classic timing (full duplex and output only)  
MTFE = 0, CPHA = 0 or 1**

| # | Symbol           | C  | Characteristic   | Condition                |                        | Value <sup>(1)</sup> |     | Unit |
|---|------------------|----|------------------|--------------------------|------------------------|----------------------|-----|------|
|   |                  |    |                  | Pad drive <sup>(2)</sup> | Load (C <sub>L</sub> ) | Min                  | Max |      |
| 1 | t <sub>SCK</sub> | CC | D SCK cycle time | SCK drive strength       |                        |                      |     | ns   |
|   |                  |    |                  | Very strong              | 25 pF                  | 59.0                 | —   |      |
|   |                  |    |                  | Strong                   | 50 pF                  | 80.0                 | —   |      |
|   |                  |    |                  | Medium                   | 50 pF                  | 200.0                | —   |      |



**Table 46. DSPI CMOS master classic timing (full duplex and output only)**  
**MTFE = 0, CPHA = 0 or 1 (continued)**

| #                        | Symbol            | C  | Characteristic | Condition                                     |                             | Value <sup>(1)</sup>                  |                                       | Unit                     |    |
|--------------------------|-------------------|----|----------------|-----------------------------------------------|-----------------------------|---------------------------------------|---------------------------------------|--------------------------|----|
|                          |                   |    |                | Pad drive <sup>(2)</sup>                      | Load (C <sub>L</sub> )      | Min                                   | Max                                   |                          |    |
| 2                        | t <sub>CSC</sub>  | CC | D              | PCS to SCK delay                              | SCK and PCS drive strength  |                                       |                                       |                          | ns |
|                          |                   |    |                |                                               | Very strong                 | 25 pF                                 | $(N^{(3)} \times t_{SYS}^{(4)}) - 16$ | —                        |    |
|                          |                   |    |                |                                               | Strong                      | 50 pF                                 | $(N^{(3)} \times t_{SYS}^{(4)}) - 16$ | —                        |    |
|                          |                   |    |                |                                               | Medium                      | 50 pF                                 | $(N^{(3)} \times t_{SYS}^{(4)}) - 16$ | —                        |    |
|                          |                   |    |                | PCS medium and SCK strong                     | PCS = 50 pF<br>SCK = 50 pF  | $(N^{(3)} \times t_{SYS}^{(4)}) - 29$ | —                                     |                          |    |
| 3                        | t <sub>ASC</sub>  | CC | D              | After SCK delay                               | SCK and PCS drive strength  |                                       |                                       |                          | ns |
|                          |                   |    |                |                                               | Very strong                 | PCS = 0 pF<br>SCK = 50 pF             | $(M^{(5)} \times t_{SYS}^{(4)}) - 35$ | —                        |    |
|                          |                   |    |                |                                               | Strong                      | PCS = 0 pF<br>SCK = 50 pF             | $(M^{(5)} \times t_{SYS}^{(4)}) - 35$ | —                        |    |
|                          |                   |    |                |                                               | Medium                      | PCS = 0 pF<br>SCK = 50 pF             | $(M^{(5)} \times t_{SYS}^{(4)}) - 35$ | —                        |    |
|                          |                   |    |                | PCS medium and SCK strong                     | PCS = 0 pF<br>SCK = 50 pF   | $(M^{(5)} \times t_{SYS}^{(4)}) - 35$ | —                                     |                          |    |
| 4                        | t <sub>SDC</sub>  | CC | D              | SCK duty cycle <sup>(6)</sup>                 | SCK drive strength          |                                       |                                       |                          | ns |
|                          |                   |    |                |                                               | Very strong                 | 0 pF                                  | $\frac{1}{2}t_{SCK} - 2$              | $\frac{1}{2}t_{SCK} + 2$ |    |
|                          |                   |    |                |                                               | Strong                      | 0 pF                                  | $\frac{1}{2}t_{SCK} - 2$              | $\frac{1}{2}t_{SCK} + 2$ |    |
|                          |                   |    |                | Medium                                        | 0 pF                        | $\frac{1}{2}t_{SCK} - 5$              | $\frac{1}{2}t_{SCK} + 5$              |                          |    |
| <b>PCS strobe timing</b> |                   |    |                |                                               |                             |                                       |                                       |                          |    |
| 5                        | t <sub>PCSC</sub> | CC | D              | PCSx to $\overline{PCSS}$ time <sup>(7)</sup> | PCS and PCSS drive strength |                                       |                                       |                          | ns |
|                          |                   |    |                |                                               | Strong                      | 25 pF                                 | 16.0                                  | —                        |    |
| 6                        | t <sub>PASC</sub> | CC | D              | $\overline{PCSS}$ to PCSx time <sup>(7)</sup> | PCS and PCSS drive strength |                                       |                                       |                          | ns |
|                          |                   |    |                |                                               | Strong                      | 25 pF                                 | 16.0                                  | —                        |    |
| <b>SIN setup time</b>    |                   |    |                |                                               |                             |                                       |                                       |                          |    |
| 7                        | t <sub>SUI</sub>  | CC | D              | SIN setup time to SCK <sup>(8)</sup>          | SCK drive strength          |                                       |                                       |                          | ns |
|                          |                   |    |                |                                               | Very strong                 | 25 pF                                 | 25.0                                  | —                        |    |
|                          |                   |    |                |                                               | Strong                      | 50 pF                                 | 31.0                                  | —                        |    |
|                          |                   |    |                | Medium                                        | 50 pF                       | 52.0                                  | —                                     |                          |    |

**Table 46. DSPI CMOS master classic timing (full duplex and output only)**  
**MTFE = 0, CPHA = 0 or 1 (continued)**

| #                                            | Symbol           | C  | Characteristic | Condition                                    |                             | Value <sup>(1)</sup> |       | Unit |      |
|----------------------------------------------|------------------|----|----------------|----------------------------------------------|-----------------------------|----------------------|-------|------|------|
|                                              |                  |    |                | Pad drive <sup>(2)</sup>                     | Load (C <sub>L</sub> )      | Min                  | Max   |      |      |
| <b>SIN hold time</b>                         |                  |    |                |                                              |                             |                      |       |      |      |
| 8                                            | t <sub>HI</sub>  | CC | D              | SIN hold time from SCK <sup>(8)</sup>        | SCK drive strength          |                      |       | ns   |      |
|                                              |                  |    |                |                                              | Very strong                 | 0 pF                 | -1.0  |      | —    |
|                                              |                  |    |                |                                              | Strong                      | 0 pF                 | -1.0  |      | —    |
|                                              |                  |    |                |                                              | Medium                      | 0 pF                 | -1.0  |      | —    |
| <b>SOUT data valid time (after SCK edge)</b> |                  |    |                |                                              |                             |                      |       |      |      |
| 9                                            | t <sub>SUO</sub> | CC | D              | SOUT data valid time from SCK <sup>(9)</sup> | SOUT and SCK drive strength |                      |       | ns   |      |
|                                              |                  |    |                |                                              | Very strong                 | 25 pF                | —     |      | 7.0  |
|                                              |                  |    |                |                                              | Strong                      | 50 pF                | —     |      | 8.0  |
|                                              |                  |    |                |                                              | Medium                      | 50 pF                | —     |      | 16.0 |
| <b>SOUT data hold time (after SCK edge)</b>  |                  |    |                |                                              |                             |                      |       |      |      |
| 10                                           | t <sub>HO</sub>  | CC | D              | SOUT data hold time after SCK <sup>(9)</sup> | SOUT and SCK drive strength |                      |       | ns   |      |
|                                              |                  |    |                |                                              | Very strong                 | 25 pF                | -7.7  |      | —    |
|                                              |                  |    |                |                                              | Strong                      | 50 pF                | -11.0 |      | —    |
|                                              |                  |    |                |                                              | Medium                      | 50 pF                | -15.0 |      | —    |

- All timing values for output signals in this table are measured to 50 % of the output voltage.
- Timing is guaranteed to same drive capabilities for all signals, mixing of pad drives may reduce operating speeds and may cause incorrect operation.
- N is the number of clock cycles added to time between PCS assertion and SCK assertion and is software programmable using DSPI\_CTARx[PSSCK] and DSPI\_CTARx[CSSCK]. The minimum value is 2 cycles unless TSB mode or Continuous SCK clock mode is selected, in which case, N is automatically set to 0 clock cycles (PCS and SCK are driven by the same edge of DSPI\_CLKn).
- t<sub>sys</sub> is the period of DSPI\_CLKn clock, the input clock to the DSPI module. Maximum frequency is 100 MHz (min t<sub>sys</sub> = 10 ns).
- M is the number of clock cycles added to time between SCK negation and PCS negation and is software programmable using DSPI\_CTARx[PASC] and DSPI\_CTARx[ASC]. The minimum value is 2 cycles unless TSB mode or Continuous SCK clock mode is selected, in which case, M is automatically set to 0 clock cycles (PCS and SCK are driven by the same edge of DSPI\_CLKn).
- t<sub>SPC</sub> is only valid for even divide ratios. For odd divide ratios the fundamental duty cycle is not 50:50. For these odd divide ratios cases, the absolute spec number is applied as jitter/uncertainty to the nominal high time and low time.
- PCSx and PCSS using same pad configuration.
- Input timing assumes an input slew rate of 1 ns (10 % – 90 %) and uses TTL voltage thresholds.
- SOUT Data valid and Data hold are independent of load capacitance if SCK and SOUT load capacitances are the same value.

Figure 27. DSPI CMOS master mode — classic timing, CPHA = 0

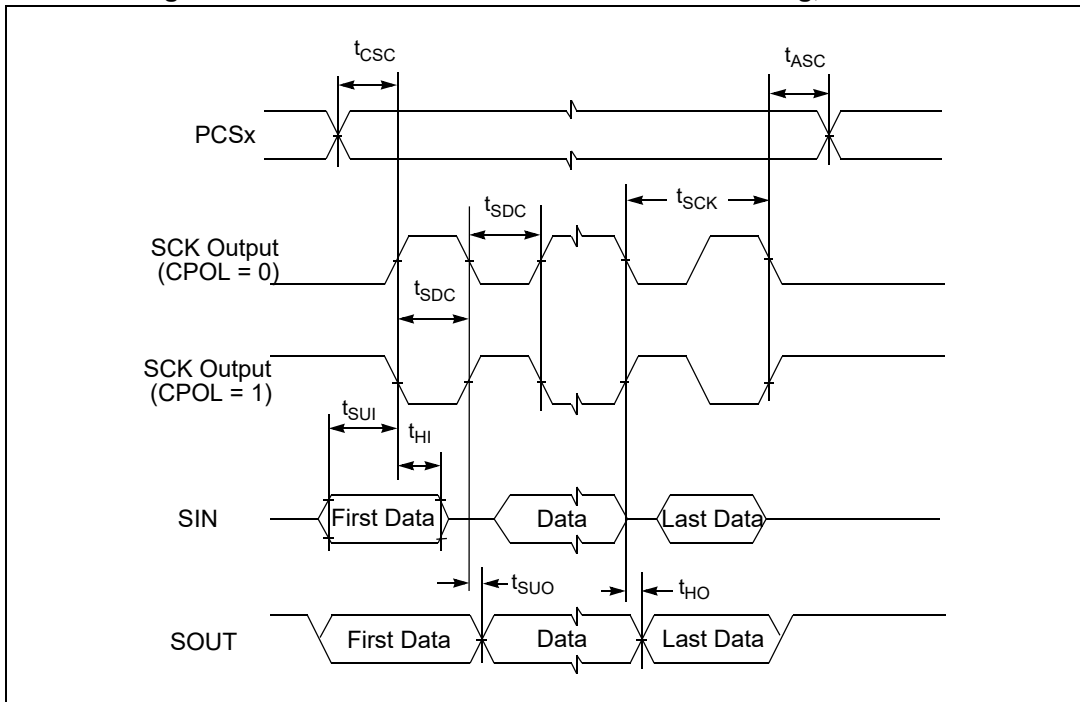


Figure 28. DSPI CMOS master mode — classic timing, CPHA = 1

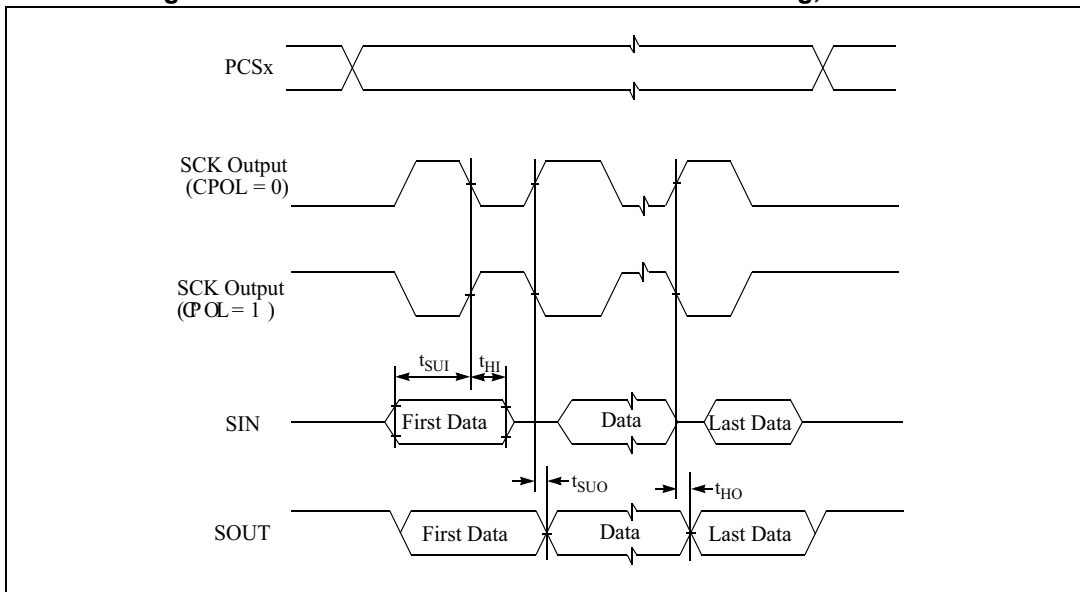
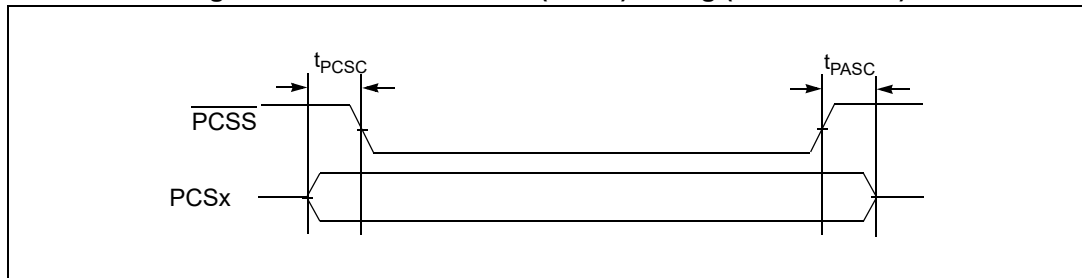


Figure 29. DSPI PCS strobe (PCSS) timing (master mode)



4.17.2.1.2 DSPI CMOS master mode — modified timing

Note: In the following table, all output timing is worst case and includes the mismatching of rise and fall times of the output pads.

Table 47. DSPI CMOS master modified timing (full duplex and output only)  
MTFE = 1, CPHA = 0 or 1

| # | Symbol           | C  | Characteristic            | Condition                  |                                                            | Value <sup>(1)</sup>                                       |     | Unit |
|---|------------------|----|---------------------------|----------------------------|------------------------------------------------------------|------------------------------------------------------------|-----|------|
|   |                  |    |                           | Pad drive <sup>(2)</sup>   | Load (C <sub>L</sub> )                                     | Min                                                        | Max |      |
| 1 | t <sub>SCK</sub> | CC | D SCK cycle time          | SCK drive strength         |                                                            |                                                            |     | ns   |
|   |                  |    |                           | Very strong                | 25 pF                                                      | 33.0                                                       | —   |      |
|   |                  |    |                           | Strong                     | 50 pF                                                      | 80.0                                                       | —   |      |
|   |                  |    |                           | Medium                     | 50 pF                                                      | 200.0                                                      | —   |      |
| 2 | t <sub>CSC</sub> | CC | D PCS to SCK delay        | SCK and PCS drive strength |                                                            |                                                            |     | ns   |
|   |                  |    |                           | Very strong                | 25 pF                                                      | (N <sup>(3)</sup> × t <sub>SYS</sub> <sup>(4)</sup> ) – 16 | —   |      |
|   |                  |    |                           | Strong                     | 50 pF                                                      | (N <sup>(3)</sup> × t <sub>SYS</sub> <sup>(4)</sup> ) – 16 | —   |      |
|   |                  |    |                           | Medium                     | 50 pF                                                      | (N <sup>(3)</sup> × t <sub>SYS</sub> <sup>(4)</sup> ) – 16 | —   |      |
|   |                  |    | PCS medium and SCK strong | PCS = 50 pF<br>SCK = 50 pF | (N <sup>(3)</sup> × t <sub>SYS</sub> <sup>(4)</sup> ) – 29 | —                                                          |     |      |
| 3 | t <sub>ASC</sub> | CC | D After SCK delay         | SCK and PCS drive strength |                                                            |                                                            |     | ns   |
|   |                  |    |                           | Very strong                | PCS = 0 pF<br>SCK = 50 pF                                  | (M <sup>(5)</sup> × t <sub>SYS</sub> <sup>(4)</sup> ) – 35 | —   |      |
|   |                  |    |                           | Strong                     | PCS = 0 pF<br>SCK = 50 pF                                  | (M <sup>(5)</sup> × t <sub>SYS</sub> <sup>(4)</sup> ) – 35 | —   |      |
|   |                  |    |                           | Medium                     | PCS = 0 pF<br>SCK = 50 pF                                  | (M <sup>(5)</sup> × t <sub>SYS</sub> <sup>(4)</sup> ) – 35 | —   |      |
|   |                  |    | PCS medium and SCK strong | PCS = 0 pF<br>SCK = 50 pF  | (M <sup>(5)</sup> × t <sub>SYS</sub> <sup>(4)</sup> ) – 35 | —                                                          |     |      |



**Table 47. DSPI CMOS master modified timing (full duplex and output only)**  
**MTFE = 1, CPHA = 0 or 1 (continued)**

| #                        | Symbol            | C    | Characteristic | Condition                                         |                             | Value <sup>(1)</sup> |                                       | Unit                     |    |
|--------------------------|-------------------|------|----------------|---------------------------------------------------|-----------------------------|----------------------|---------------------------------------|--------------------------|----|
|                          |                   |      |                | Pad drive <sup>(2)</sup>                          | Load (C <sub>L</sub> )      | Min                  | Max                                   |                          |    |
| 4                        | t <sub>SCK</sub>  | CC   | D              | SCK duty cycle <sup>(6)</sup>                     | SCK drive strength          |                      |                                       |                          | ns |
|                          |                   |      |                |                                                   | Very strong                 | 0 pF                 | $\frac{1}{2}t_{SCK} - 2$              | $\frac{1}{2}t_{SCK} + 2$ |    |
|                          |                   |      |                |                                                   | Strong                      | 0 pF                 | $\frac{1}{2}t_{SCK} - 2$              | $\frac{1}{2}t_{SCK} + 2$ |    |
|                          |                   |      |                |                                                   | Medium                      | 0 pF                 | $\frac{1}{2}t_{SCK} - 5$              | $\frac{1}{2}t_{SCK} + 5$ |    |
| <b>PCS strobe timing</b> |                   |      |                |                                                   |                             |                      |                                       |                          |    |
| 5                        | t <sub>PCSC</sub> | CC   | D              | PCSx to $\overline{PCSS}$ time <sup>(7)</sup>     | PCS and PCSS drive strength |                      |                                       |                          | ns |
|                          |                   |      |                |                                                   | Strong                      | 25 pF                | 16.0                                  | —                        |    |
| 6                        | t <sub>PASC</sub> | CC   | D              | $\overline{PCSS}$ to PCSx time <sup>(7)</sup>     | PCS and PCSS drive strength |                      |                                       |                          | ns |
|                          |                   |      |                |                                                   | Strong                      | 25 pF                | 16.0                                  | —                        |    |
| <b>SIN setup time</b>    |                   |      |                |                                                   |                             |                      |                                       |                          |    |
| 7                        | t <sub>SUI</sub>  | CC   | D              | SIN setup time to SCK<br>CPHA = 0 <sup>(8)</sup>  | SCK drive strength          |                      |                                       |                          | ns |
|                          |                   |      |                |                                                   | Very strong                 | 25 pF                | $25 - (P^{(9)} \times t_{SYS}^{(4)})$ | —                        |    |
|                          |                   |      |                |                                                   | Strong                      | 50 pF                | $31 - (P^{(9)} \times t_{SYS}^{(4)})$ | —                        |    |
|                          |                   |      |                | SIN setup time to SCK<br>CPHA = 1 <sup>(8)</sup>  | SCK drive strength          |                      |                                       |                          | ns |
|                          |                   |      |                |                                                   | Very strong                 | 25 pF                | 25.0                                  | —                        |    |
|                          |                   |      |                |                                                   | Strong                      | 50 pF                | 31.0                                  | —                        |    |
| Medium                   | 50 pF             | 52.0 | —              |                                                   |                             |                      |                                       |                          |    |
| <b>SIN hold time</b>     |                   |      |                |                                                   |                             |                      |                                       |                          |    |
| 8                        | t <sub>HI</sub>   | CC   | D              | SIN hold time from SCK<br>CPHA = 0 <sup>(8)</sup> | SCK drive strength          |                      |                                       |                          | ns |
|                          |                   |      |                |                                                   | Very strong                 | 0 pF                 | $-1 + (P^{(9)} \times t_{SYS}^{(3)})$ | —                        |    |
|                          |                   |      |                |                                                   | Strong                      | 0 pF                 | $-1 + (P^{(9)} \times t_{SYS}^{(3)})$ | —                        |    |
|                          |                   |      |                | SIN hold time from SCK<br>CPHA = 1 <sup>(8)</sup> | SCK drive strength          |                      |                                       |                          | ns |
|                          |                   |      |                |                                                   | Very strong                 | 0 pF                 | -1.0                                  | —                        |    |
|                          |                   |      |                |                                                   | Strong                      | 0 pF                 | -1.0                                  | —                        |    |
| Medium                   | 0 pF              | -1.0 | —              |                                                   |                             |                      |                                       |                          |    |

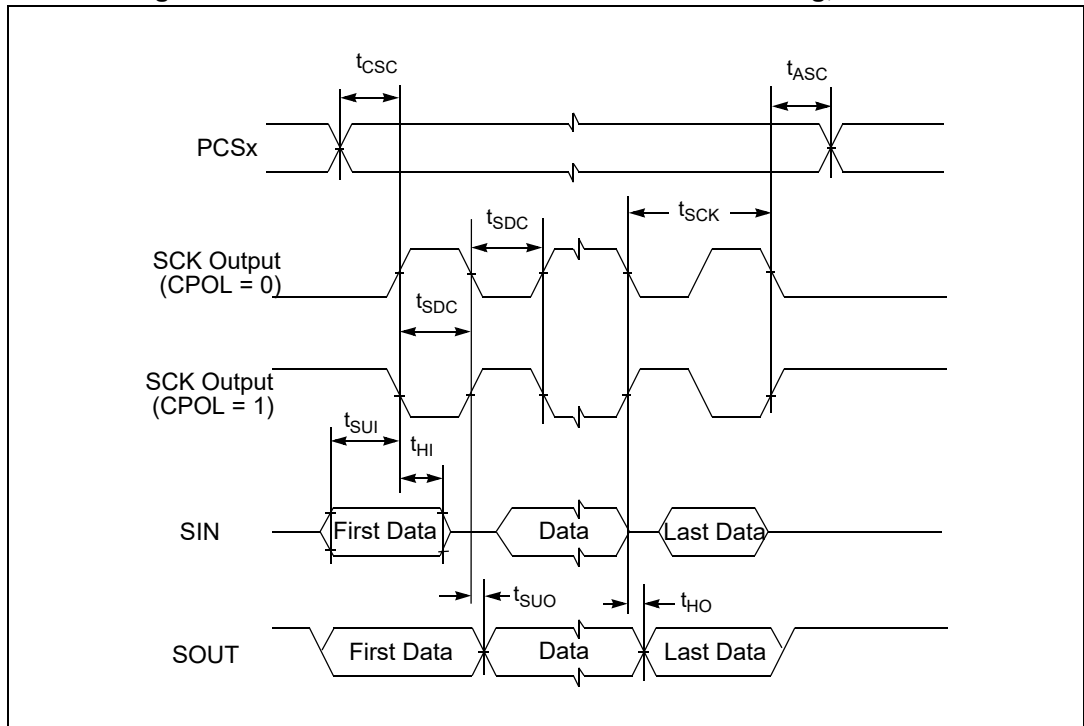
**Table 47. DSPI CMOS master modified timing (full duplex and output only)  
MTE = 1, CPHA = 0 or 1 (continued)**

| #                                            | Symbol           | C     | Characteristic | Condition                                               |                             | Value <sup>(1)</sup> |                                         | Unit                                  |       |                                         |                                        |  |
|----------------------------------------------|------------------|-------|----------------|---------------------------------------------------------|-----------------------------|----------------------|-----------------------------------------|---------------------------------------|-------|-----------------------------------------|----------------------------------------|--|
|                                              |                  |       |                | Pad drive <sup>(2)</sup>                                | Load (C <sub>L</sub> )      | Min                  | Max                                     |                                       |       |                                         |                                        |  |
| <b>SOUT data valid time (after SCK edge)</b> |                  |       |                |                                                         |                             |                      |                                         |                                       |       |                                         |                                        |  |
| 9                                            | t <sub>SUO</sub> | CC    | D              | SOUT data valid time from SCK CPHA = 0, <sup>(10)</sup> | SOUT and SCK drive strength |                      |                                         |                                       | ns    |                                         |                                        |  |
|                                              |                  |       |                |                                                         | Very strong                 | 25 pF                | —                                       | 7.0 + t <sub>SYS</sub> <sup>(4)</sup> |       |                                         |                                        |  |
|                                              |                  |       |                |                                                         | Strong                      | 50 pF                | —                                       | 8.0 + t <sub>SYS</sub> <sup>(4)</sup> |       |                                         |                                        |  |
|                                              |                  |       |                |                                                         |                             |                      |                                         | Medium                                | 50 pF | —                                       | 16.0 + t <sub>SYS</sub> <sup>(4)</sup> |  |
|                                              |                  |       |                | SOUT data valid time from SCK CPHA = 1 <sup>(10)</sup>  | SOUT and SCK drive strength |                      |                                         |                                       |       |                                         | ns                                     |  |
|                                              |                  |       |                |                                                         | Very strong                 | 25 pF                | —                                       | 7.0                                   |       |                                         |                                        |  |
| Strong                                       | 50 pF            | —     | 8.0            |                                                         |                             |                      |                                         |                                       |       |                                         |                                        |  |
|                                              |                  |       |                | Medium                                                  | 50 pF                       | —                    | 16.0                                    |                                       |       |                                         |                                        |  |
| <b>SOUT data hold time (after SCK edge)</b>  |                  |       |                |                                                         |                             |                      |                                         |                                       |       |                                         |                                        |  |
| 10                                           | t <sub>HO</sub>  | CC    | D              | SOUT data hold time after SCK CPHA = 0 <sup>(10)</sup>  | SOUT and SCK drive strength |                      |                                         |                                       | ns    |                                         |                                        |  |
|                                              |                  |       |                |                                                         | Very strong                 | 25 pF                | -7.7 + t <sub>SYS</sub> <sup>(4)</sup>  | —                                     |       |                                         |                                        |  |
|                                              |                  |       |                |                                                         | Strong                      | 50 pF                | -11.0 + t <sub>SYS</sub> <sup>(4)</sup> | —                                     |       |                                         |                                        |  |
|                                              |                  |       |                |                                                         |                             |                      |                                         | Medium                                | 50 pF | -15.0 + t <sub>SYS</sub> <sup>(4)</sup> | —                                      |  |
|                                              |                  |       |                | SOUT data hold time after SCK CPHA = 1 <sup>(10)</sup>  | SOUT and SCK drive strength |                      |                                         |                                       |       |                                         | ns                                     |  |
|                                              |                  |       |                |                                                         | Very strong                 | 25 pF                | -7.7                                    | —                                     |       |                                         |                                        |  |
| Strong                                       | 50 pF            | -11.0 | —              |                                                         |                             |                      |                                         |                                       |       |                                         |                                        |  |
|                                              |                  |       |                | Medium                                                  | 50 pF                       | -15.0                | —                                       |                                       |       |                                         |                                        |  |

1. All timing values for output signals in this table are measured to 50 % of the output voltage.
2. Timing is guaranteed to same drive capabilities for all signals, mixing of pad drives may reduce operating speeds and may cause incorrect operation.
3. N is the number of clock cycles added to time between PCS assertion and SCK assertion and is software programmable using DSPI\_CTARx[PSSCK] and DSPI\_CTARx[CSSCK]. The minimum value is 2 cycles unless TSB mode or Continuous SCK clock mode is selected, in which case, N is automatically set to 0 clock cycles (PCS and SCK are driven by the same edge of DSPI\_CLKn).
4. t<sub>SYS</sub> is the period of DSPI\_CLKn clock, the input clock to the DSPI module. Maximum frequency is 100 MHz (min t<sub>SYS</sub> = 10 ns).
5. M is the number of clock cycles added to time between SCK negation and PCS negation and is software programmable using DSPI\_CTARx[PASC] and DSPI\_CTARx[ASC]. The minimum value is 2 cycles unless TSB mode or Continuous SCK clock mode is selected, in which case, M is automatically set to 0 clock cycles (PCS and SCK are driven by the same edge of DSPI\_CLKn).
6. t<sub>SDC</sub> is only valid for even divide ratios. For odd divide ratios the fundamental duty cycle is not 50:50. For these odd divide ratios cases, the absolute spec number is applied as jitter/uncertainty to the nominal high time and low time.
7. PCSx and PCSS using same pad configuration.
8. Input timing assumes an input slew rate of 1 ns (10 % – 90 %) and uses TTL voltage thresholds.
9. P is the number of clock cycles added to delay the DSPI input sample point and is software programmable using DSPI\_MCR[SMP\_L\_PT]. The value must be 0, 1 or 2. If the baud rate divide ratio is /2 or /3, this value is automatically set to 1.

- 10. SOUT Data valid and Data hold are independent of load capacitance if SCK and SOUT load capacitances are the same value.

**Figure 30. DSPI CMOS master mode — modified timing, CPHA = 0**



**Figure 31. DSPI CMOS master mode — modified timing, CPHA = 1**

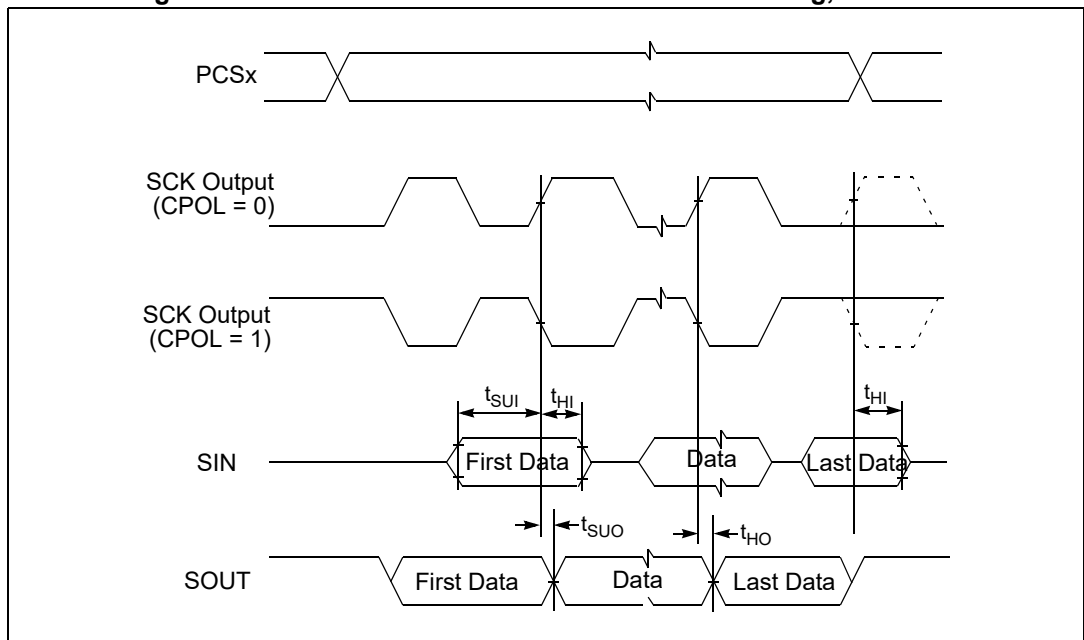
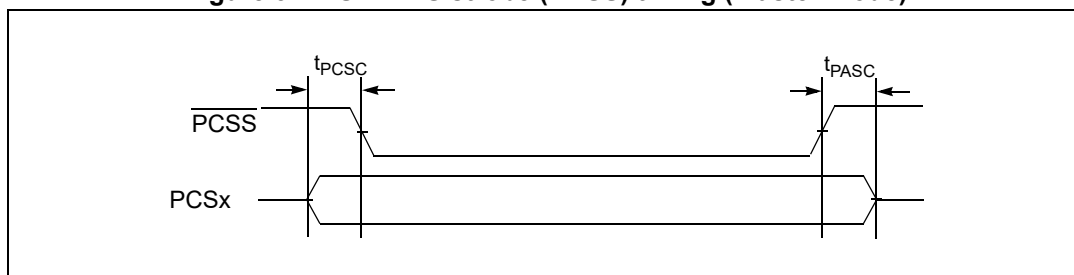


Figure 32. DSPI PCS strobe ( $\overline{\text{PCSS}}$ ) timing (master mode)



4.17.2.2 Slave mode timing

Table 48. DSPI CMOS slave timing — full duplex — normal and modified transfer formats (MTFE = 0/1)

| #  | Symbol           | C  | Characteristic | Condition                                                                                                      |             | Min   | Max | Unit |    |
|----|------------------|----|----------------|----------------------------------------------------------------------------------------------------------------|-------------|-------|-----|------|----|
|    |                  |    |                | Pad Drive                                                                                                      | Load        |       |     |      |    |
| 1  | $t_{\text{SCK}}$ | CC | D              | SCK Cycle Time <sup>(1)</sup>                                                                                  | —           | —     | 62  | —    | ns |
| 2  | $t_{\text{CSC}}$ | SR | D              | $\overline{\text{SS}}$ to SCK Delay <sup>(1)</sup>                                                             | —           | —     | 16  | —    | ns |
| 3  | $t_{\text{ASC}}$ | SR | D              | SCK to $\overline{\text{SS}}$ Delay <sup>(1)</sup>                                                             | —           | —     | 16  | —    | ns |
| 4  | $t_{\text{SDC}}$ | CC | D              | SCK Duty Cycle <sup>(1)</sup>                                                                                  | —           | —     | 30  | —    | ns |
| 5  | $t_{\text{A}}$   | CC | D              | Slave Access Time <sup>(1) (2) (3)</sup><br>( $\overline{\text{SS}}$ active to SOUT driven)                    | Very strong | 25 pF | —   | 50   | ns |
|    |                  |    |                |                                                                                                                | Strong      | 50 pF | —   | 50   | ns |
|    |                  |    |                |                                                                                                                | Medium      | 50 pF | —   | 60   | ns |
| 6  | $t_{\text{DIS}}$ | CC | D              | Slave SOUT Disable Time <sup>(1) (2) (3)</sup><br>( $\overline{\text{SS}}$ inactive to SOUT High-Z or invalid) | Very strong | 25 pF | —   | 5    | ns |
|    |                  |    |                |                                                                                                                | Strong      | 50 pF | —   | 5    | ns |
|    |                  |    |                |                                                                                                                | Medium      | 50 pF | —   | 10   | ns |
| 9  | $t_{\text{SUI}}$ | CC | D              | Data Setup Time for Inputs <sup>(1)</sup>                                                                      | —           | —     | 10  | —    | ns |
| 10 | $t_{\text{HI}}$  | CC | D              | Data Hold Time for Inputs <sup>(1)</sup>                                                                       | —           | —     | 10  | —    | ns |
| 11 | $t_{\text{SUO}}$ | CC | D              | SOUT Valid Time <sup>(1) (2) (3)</sup><br>(after SCK edge)                                                     | Very strong | 25 pF | —   | 30   | ns |
|    |                  |    |                |                                                                                                                | Strong      | 50 pF | —   | 30   | ns |
|    |                  |    |                |                                                                                                                | Medium      | 50 pF | —   | 50   | ns |
| 12 | $t_{\text{HO}}$  | CC | D              | SOUT Hold Time <sup>(1) (2) (3)</sup><br>(after SCK edge)                                                      | Very strong | 25 pF | 2.5 | —    | ns |
|    |                  |    |                |                                                                                                                | Strong      | 50 pF | 2.5 | —    | ns |
|    |                  |    |                |                                                                                                                | Medium      | 50 pF | 2.5 | —    | ns |

1. Input timing assumes an input slew rate of 1 ns (10 % - 90 %) and uses TTL voltage thresholds.
2. All timing values for output signals in this table, are measured to 50 % of the output voltage.
3. All output timing is worst case and includes the mismatching of rise and fall times of the output pads.

Figure 33. DSPI slave mode — modified transfer format timing (MFTE = 0/1) CPHA = 0

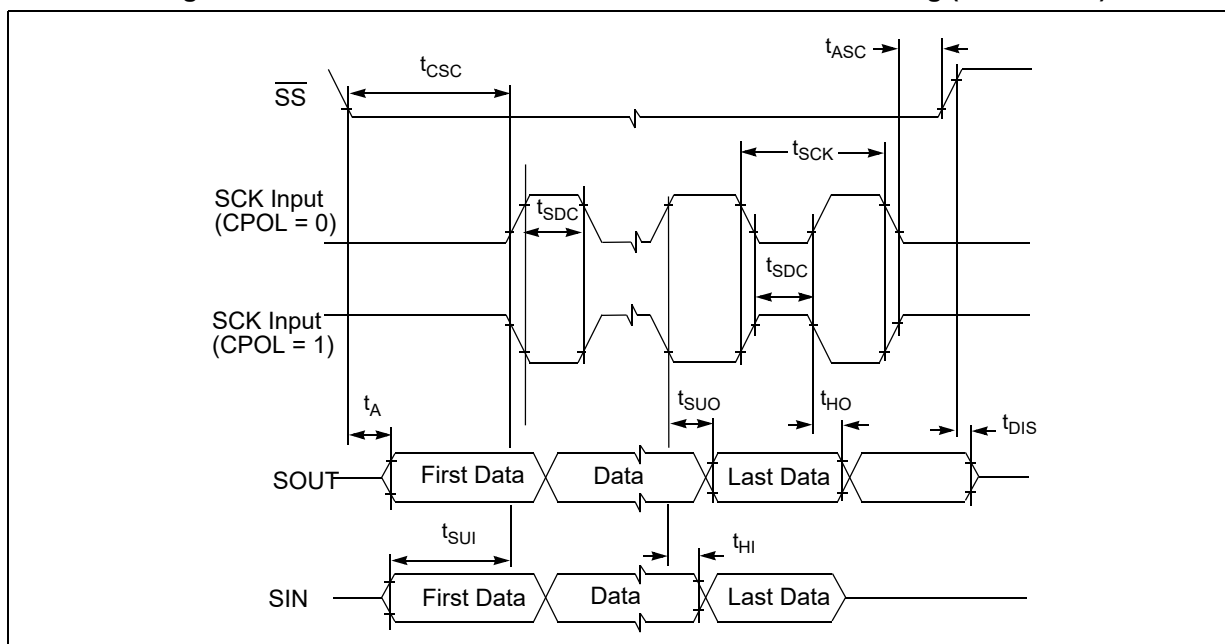
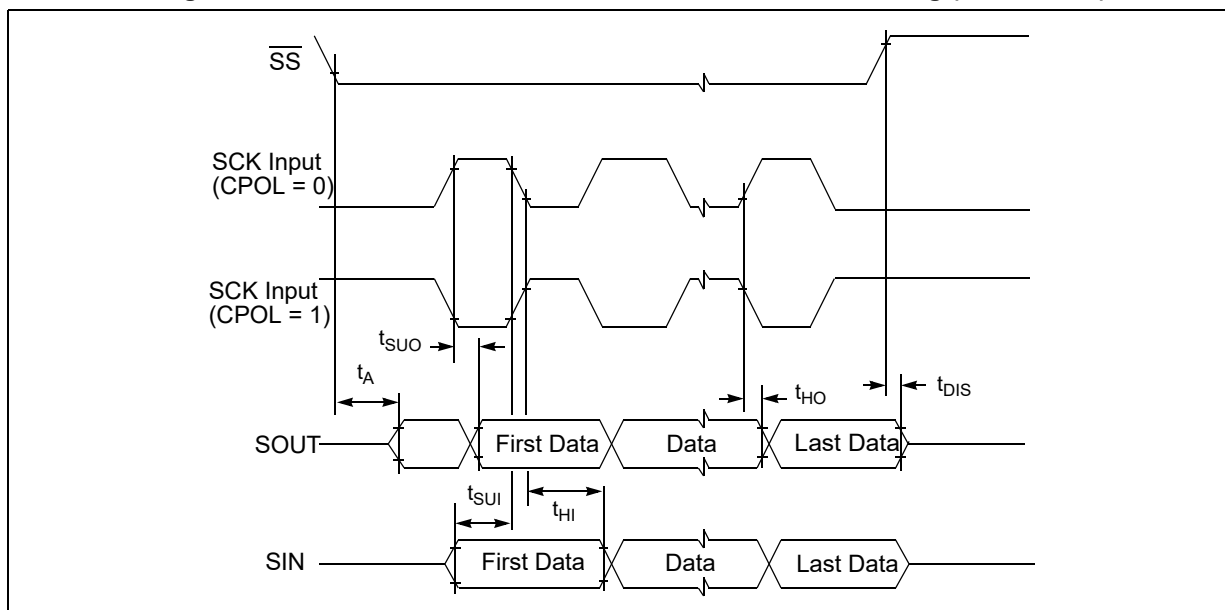


Figure 34. DSPI slave mode — modified transfer format timing (MFTE = 0/1) CPHA = 1



### 4.17.3 Ethernet timing

The Ethernet provides both MII and RMII interfaces. The MII and RMII signals can be configured for either CMOS or TTL signal levels compatible with devices operating at either 5.0 V or 3.3 V. Check the device pinout details to review the packages supporting MII and RMII.

**4.17.3.1 MII receive signal timing (RXD[3:0], RX\_DV, RX\_ER, and RX\_CLK)**

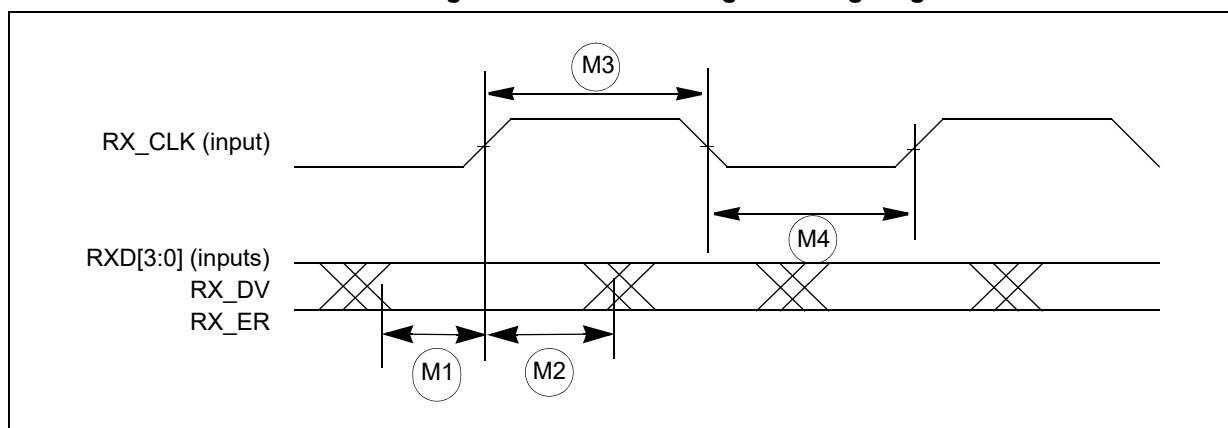
The receiver functions correctly up to a RX\_CLK maximum frequency of 25 MHz +1 %. There is no minimum frequency requirement. The system clock frequency must be at least equal to or greater than the RX\_CLK frequency.

*Note:* In the following table, all timing specifications are referenced from RX\_CLK = 1.4 V to the valid input levels, 0.8 V and 2.0 V.

**Table 49. MII receive signal timing**

| Symbol | C  | Characteristic | Value                                  |      | Unit          |
|--------|----|----------------|----------------------------------------|------|---------------|
|        |    |                | Min                                    | Max  |               |
| M1     | CC | D              | RXD[3:0], RX_DV, RX_ER to RX_CLK setup |      | ns            |
| M2     | CC | D              | RX_CLK to RXD[3:0], RX_DV, RX_ER hold  |      | ns            |
| M3     | CC | D              | 35 %                                   | 65 % | RX_CLK period |
| M4     | CC | D              | 35 %                                   | 65 % | RX_CLK period |

**Figure 35. MII receive signal timing diagram**



**4.17.3.2 MII transmit signal timing (TXD[3:0], TX\_EN, TX\_ER, TX\_CLK)**

The transmitter functions correctly up to a TX\_CLK maximum frequency of 25 MHz +1 %. There is no minimum frequency requirement. The system clock frequency must be at least equal to or greater than the TX\_CLK frequency.

The transmit outputs (TXD[3:0], TX\_EN, TX\_ER) can be programmed to transition from either the rising or falling edge of TX\_CLK, and the timing is the same in either case. This option allows the use of non-compliant MII PHYs.

Refer to the SPC584Bx 32-bit Power Architecture microcontroller *reference manual's* Ethernet chapter for details of this option and how to enable it.

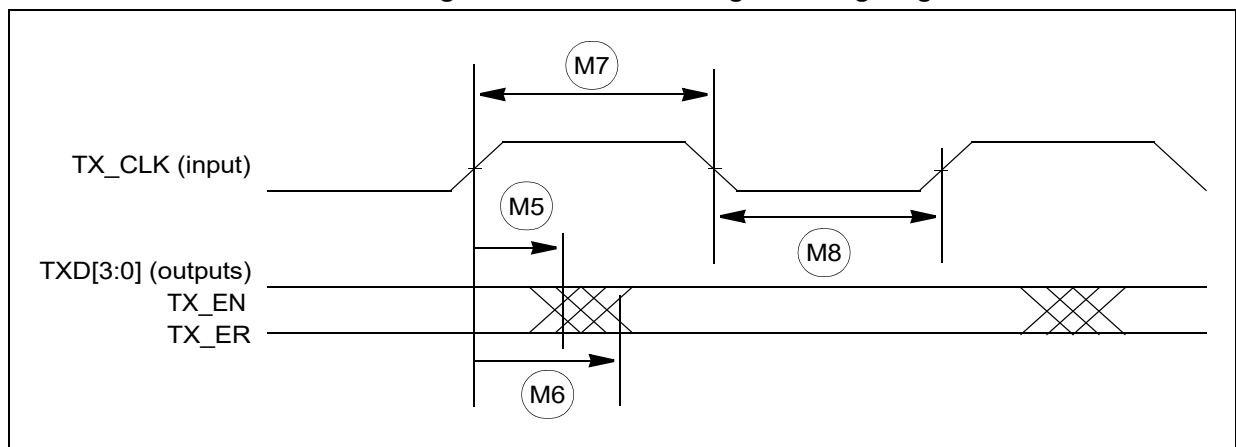
*Note:* In the following table, all timing specifications are referenced from TX\_CLK = 1.4 V to the valid output levels, 0.8 V and 2.0 V.

Table 50. MII transmit signal timing

| Symbol | C  | Characteristic                             | Value <sup>(1)</sup> |      | Unit          |
|--------|----|--------------------------------------------|----------------------|------|---------------|
|        |    |                                            | Min                  | Max  |               |
| M5     | CC | D TX_CLK to TXD[3:0], TX_EN, TX_ER invalid | 5                    | —    | ns            |
| M6     | CC | D TX_CLK to TXD[3:0], TX_EN, TX_ER valid   | —                    | 25   | ns            |
| M7     | CC | D TX_CLK pulse width high                  | 35 %                 | 65 % | TX_CLK period |
| M8     | CC | D TX_CLK pulse width low                   | 35 %                 | 65 % | TX_CLK period |

1. Output parameters are valid for  $C_L = 25 \text{ pF}$ , where  $C_L$  is the external load to the device. The internal package capacitance is accounted for, and does not need to be subtracted from the 25 pF value

Figure 36. MII transmit signal timing diagram

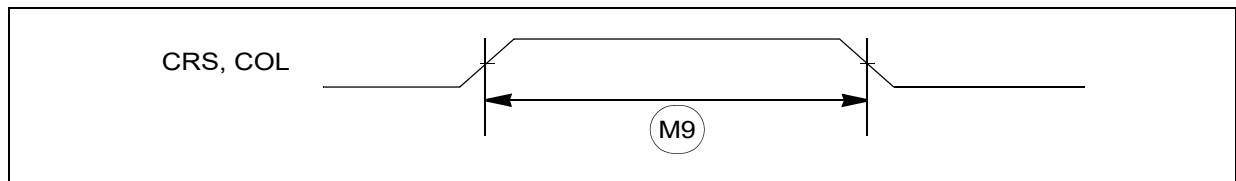


4.17.3.3 MII async inputs signal timing (CRS and COL)

Table 51. MII async inputs signal timing

| Symbol | C  | Characteristic                 | Value |     | Unit          |
|--------|----|--------------------------------|-------|-----|---------------|
|        |    |                                | Min   | Max |               |
| M9     | CC | D CRS, COL minimum pulse width | 1.5   | —   | TX_CLK period |

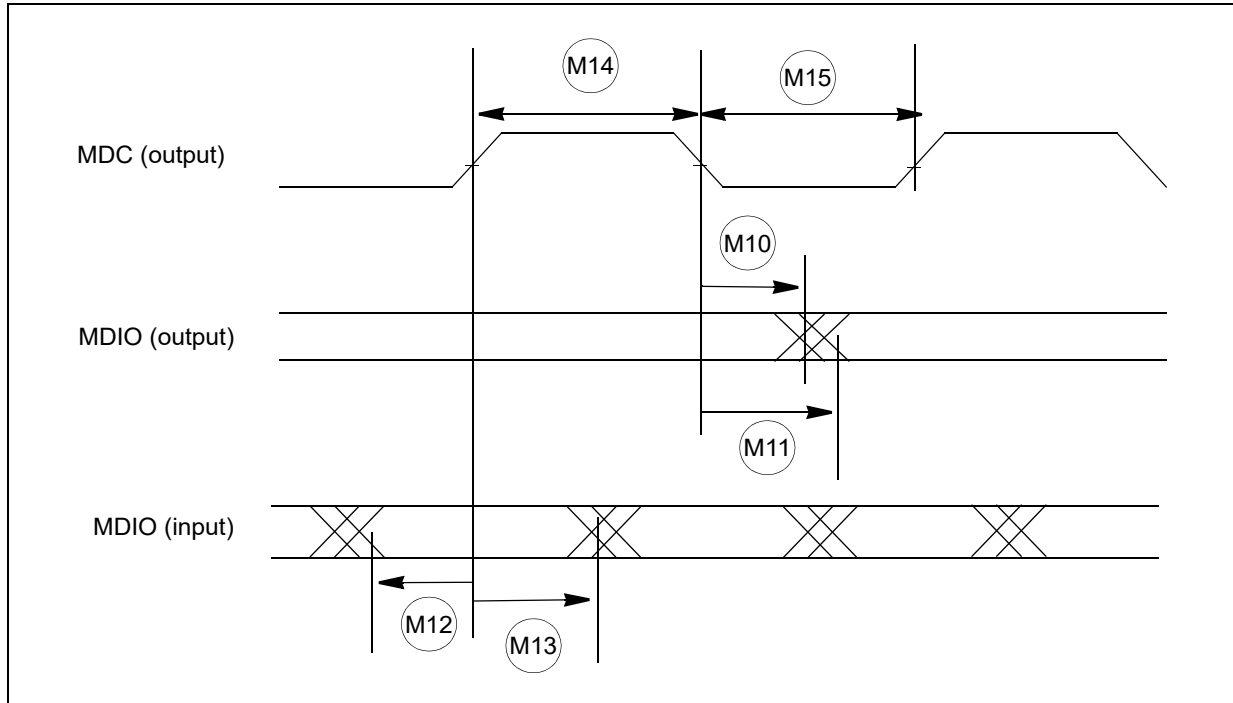
Figure 37. MII async inputs timing diagram



**4.17.3.4 MII and RMI serial management channel timing (MDIO and MDC)**

The Ethernet functions correctly with a maximum MDC frequency of 2.5 MHz.

**Figure 38. MII serial management channel timing diagram**



**4.17.3.5 MII and RMI serial management channel timing (MDIO and MDC)**

The Ethernet functions correctly with a maximum MDC frequency of 2.5 MHz.

*Note: In the following table, all timing specifications are referenced from MDC = 1.4 V (TTL levels) to the valid input and output levels, 0.8 V and 2.0 V (TTL levels). For 5 V operation, timing is referenced from MDC = 50 % to 2.2 V/3.5 V input and output levels.*

**Table 52. MII serial management channel timing**

| Symbol | C  | Characteristic                                                        | Value |      | Unit       |
|--------|----|-----------------------------------------------------------------------|-------|------|------------|
|        |    |                                                                       | Min   | Max  |            |
| M10    | CC | D MDC falling edge to MDIO output invalid (minimum propagation delay) | 0     | —    | ns         |
| M11    | CC | D MDC falling edge to MDIO output valid (maximum propagation delay)   | —     | 25   | ns         |
| M12    | CC | D MDIO (input) to MDC rising edge setup                               | 10    | —    | ns         |
| M13    | CC | D MDIO (input) to MDC rising edge hold                                | 0     | —    | ns         |
| M14    | CC | D MDC pulse width high                                                | 40 %  | 60 % | MDC period |
| M15    | CC | D MDC pulse width low                                                 | 40 %  | 60 % | MDC period |

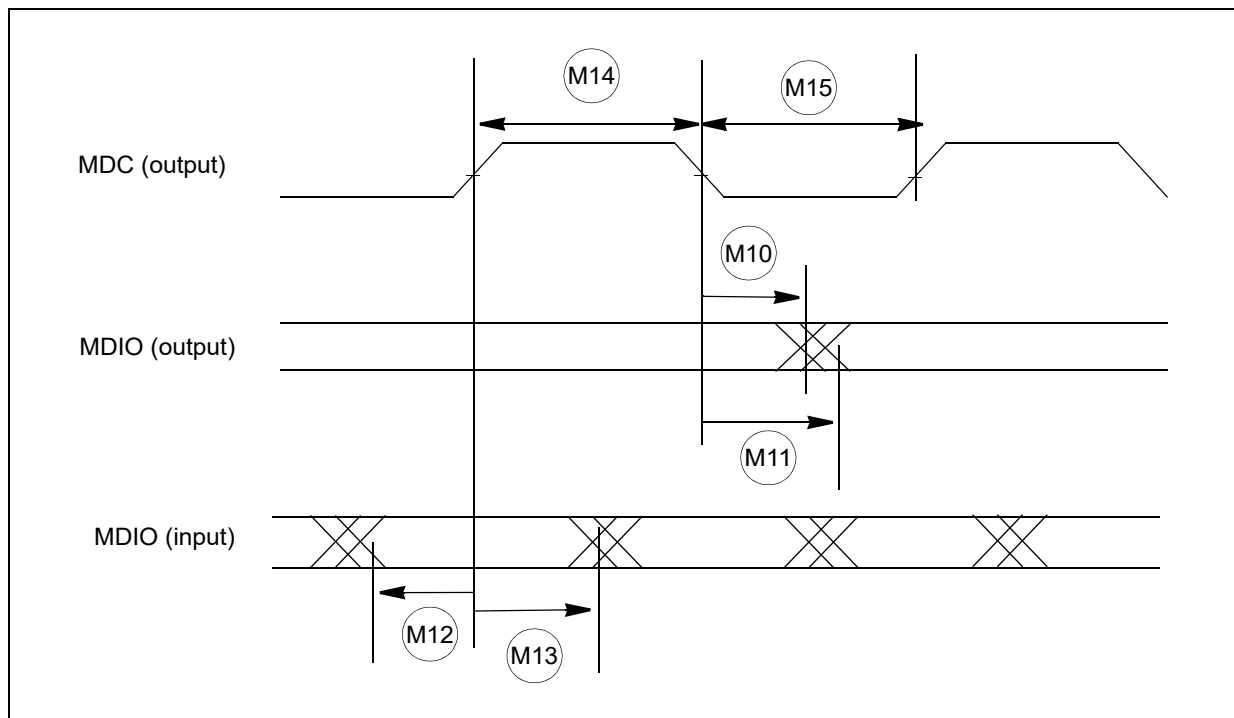


Note: In the following table, all timing specifications are referenced from MDC = 1.4 V (TTL levels) to the valid input and output levels, 0.8 V and 2.0 V (TTL levels). For 5 V operation, timing is referenced from MDC = 50 % to 2.2 V/3.5 V input and output levels.

Table 53. RMII serial management channel timing

| Symbol | C  | Characteristic | Value                                                               |      | Unit       |
|--------|----|----------------|---------------------------------------------------------------------|------|------------|
|        |    |                | Min                                                                 | Max  |            |
| M10    | CC | D              | MDC falling edge to MDIO output invalid (minimum propagation delay) |      | ns         |
| M11    | CC | D              | MDC falling edge to MDIO output valid (maximum propagation delay)   |      | ns         |
| M12    | CC | D              | MDIO (input) to MDC rising edge setup                               |      | ns         |
| M13    | CC | D              | MDIO (input) to MDC rising edge hold                                |      | ns         |
| M14    | CC | D              | 40 %                                                                | 60 % | MDC period |
| M15    | CC | D              | 40 %                                                                | 60 % | MDC period |

Figure 39. MII serial management channel timing diagram



4.17.3.6 RMII receive signal timing (RXD[1:0], CRS\_DV)

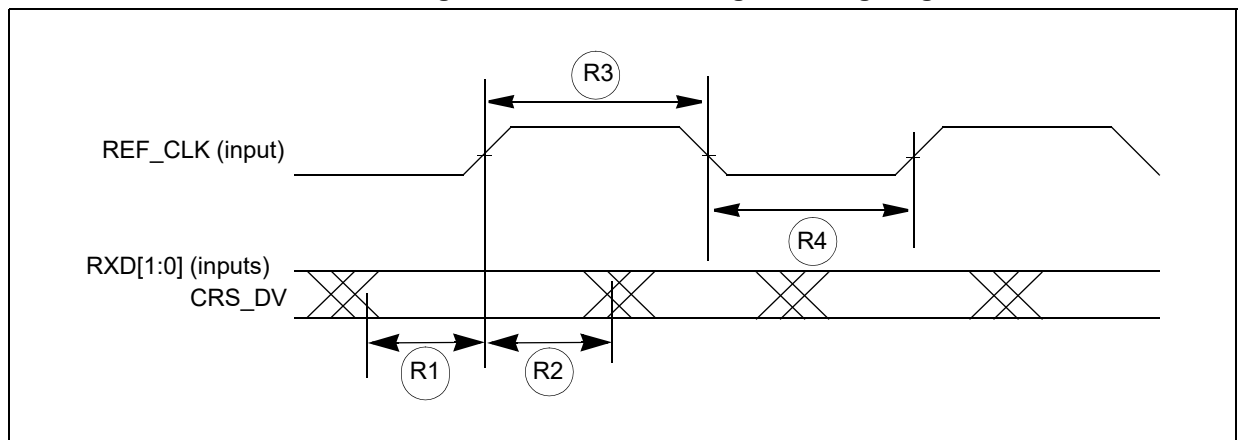
The receiver functions correctly up to a REF\_CLK maximum frequency of 50 MHz +1 %. There is no minimum frequency requirement. The system clock frequency must be at least equal to or greater than the RX\_CLK frequency, which is half that of the REF\_CLK frequency.

Note: In the following table, all timing specifications are referenced from REF\_CLK = 1.4 V to the valid input levels, 0.8 V and 2.0 V.

Table 54. RMII receive signal timing

| Symbol | C  | Characteristic | Value                             |      | Unit           |
|--------|----|----------------|-----------------------------------|------|----------------|
|        |    |                | Min                               | Max  |                |
| R1     | CC | D              | RXD[1:0], CRS_DV to REF_CLK setup |      | ns             |
| R2     | CC | D              | REF_CLK to RXD[1:0], CRS_DV hold  |      | ns             |
| R3     | CC | D              | 35 %                              | 65 % | REF_CLK period |
| R4     | CC | D              | 35 %                              | 65 % | REF_CLK period |

Figure 40. RMII receive signal timing diagram



4.17.3.7 RMII transmit signal timing (TXD[1:0], TX\_EN)

The transmitter functions correctly up to a REF\_CLK maximum frequency of 50 MHz + 1 %. There is no minimum frequency requirement. The system clock frequency must be at least equal to or greater than the TX\_CLK frequency, which is half that of the REF\_CLK frequency.

The transmit outputs (TXD[1:0], TX\_EN) can be programmed to transition from either the rising or falling edge of REF\_CLK, and the timing is the same in either case. This option allows the use of non-compliant RMII PHYs.

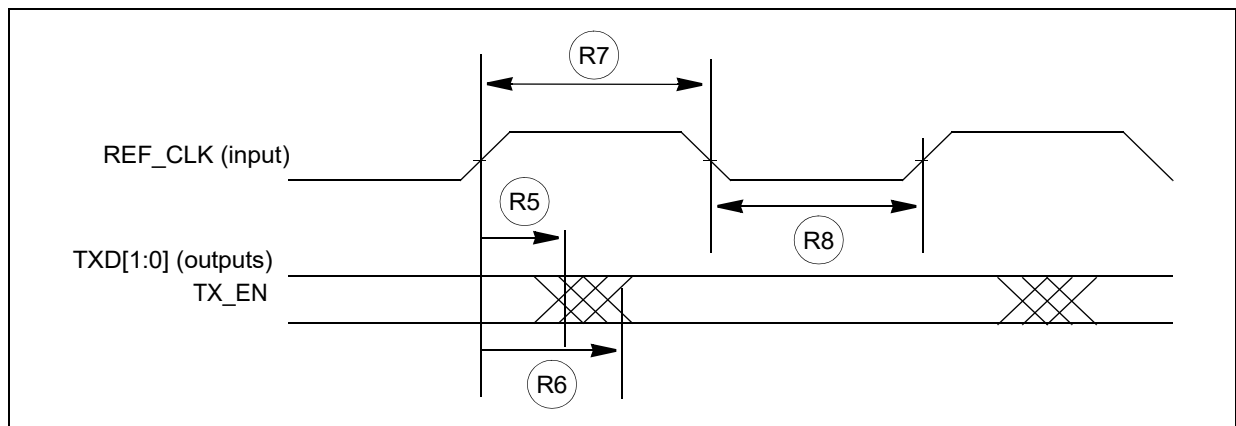
Note: In the following table, all timing specifications are referenced from REF\_CLK = 1.4 V to the valid output levels, 0.8 V and 2.0 V.

RMII transmit signal valid timing specified is considering the rise/fall time of the ref\_clk on the pad as 1ns.

**Table 55. RMII transmit signal timing**

| Symbol | C  | Characteristic | Value                              |      | Unit |                |
|--------|----|----------------|------------------------------------|------|------|----------------|
|        |    |                | Min                                | Max  |      |                |
| R5     | CC | D              | REF_CLK to TXD[1:0], TX_EN invalid | 2    | —    | ns             |
| R6     | CC | D              | REF_CLK to TXD[1:0], TX_EN valid   | —    | 14   | ns             |
| R7     | CC | D              | REF_CLK pulse width high           | 35 % | 65 % | REF_CLK period |
| R8     | CC | D              | REF_CLK pulse width low            | 35 % | 65 % | REF_CLK period |

**Figure 41. RMII transmit signal timing diagram**



**4.17.4 CAN timing**

The following table describes the CAN timing.

**Table 56. CAN timing**

| Symbol                  | C  | Parameter | Condition                                            | Value                                    |     |     | Unit |    |
|-------------------------|----|-----------|------------------------------------------------------|------------------------------------------|-----|-----|------|----|
|                         |    |           |                                                      | Min                                      | Typ | Max |      |    |
| t <sub>P(RX:TX)</sub>   | CC | D         | CAN controller propagation delay time standard pads  | Medium type pads 25 pF load              | —   | —   | 70   | ns |
|                         | CC | D         |                                                      | Medium type pads 50 pF load              | —   | —   | 80   |    |
|                         | CC | D         |                                                      | STRONG, VERY STRONG type pads 25 pF load | —   | —   | 60   |    |
|                         | CC | D         |                                                      | STRONG, VERY STRONG type pads 50 pF load | —   | —   | 65   |    |
| t <sub>PLP(RX:TX)</sub> | CC | D         | CAN controller propagation delay time low power pads | Medium type pads 25 pF load              | —   | —   | 90   | ns |
|                         | CC | D         |                                                      | Medium type pads 50 pF load              | —   | —   | 100  |    |
|                         | CC | D         |                                                      | STRONG, VERY STRONG type pads 25 pF load | —   | —   | 80   |    |
|                         | CC | D         |                                                      | STRONG, VERY STRONG type pads 50 pF load | —   | —   | 85   |    |

### 4.17.5 UART timing

UART channel frequency support is shown in the following table.

**Table 57. UART frequency support**

| LINFlexD clock frequency LIN_CLK (MHz) | Oversampling rate | Voting scheme                                                 | Max usable frequency (Mbaud) |
|----------------------------------------|-------------------|---------------------------------------------------------------|------------------------------|
| 80                                     | 16                | 3:1 majority voting                                           | 5                            |
|                                        | 8                 |                                                               | 10                           |
|                                        | 6                 | Limited voting on one sample with configurable sampling point | 13.33                        |
|                                        | 5                 |                                                               | 16                           |
|                                        | 4                 |                                                               | 20                           |
| 100                                    | 16                | 3:1 majority voting                                           | 6.25                         |
|                                        | 8                 |                                                               | 12.5                         |
|                                        | 6                 | Limited voting on one sample with configurable sampling point | 16.67                        |
|                                        | 5                 |                                                               | 20                           |
|                                        | 4                 |                                                               | 25                           |

### 4.17.6 I2C timing

The I<sup>2</sup>C AC timing specifications are provided in the following tables.

*Note:* In the following table, I2C input timing is valid for Automotive and TTL inputs levels, hysteresis enabled, and an input edge rate no slower than 1 ns (10 % – 90 %).

**Table 58. I2C input timing specifications – SCL and SDA**

| No. | Symbol | C  | Parameter | Value                                                          |     | Unit |                              |
|-----|--------|----|-----------|----------------------------------------------------------------|-----|------|------------------------------|
|     |        |    |           | Min                                                            | Max |      |                              |
| 1   | —      | CC | D         | Start condition hold time                                      | 2   | —    | PER_CLK Cycle <sup>(1)</sup> |
| 2   | —      | CC | D         | Clock low time                                                 | 8   | —    | PER_CLK Cycle                |
| 3   | —      | CC | D         | Bus free time between Start and Stop condition                 | 4.7 | —    | µs                           |
| 4   | —      | CC | D         | Data hold time                                                 | 0.0 | —    | ns                           |
| 5   | —      | CC | D         | Clock high time                                                | 4   | —    | PER_CLK Cycle                |
| 6   | —      | CC | D         | Data setup time                                                | 0.0 | —    | ns                           |
| 7   | —      | CC | D         | Start condition setup time (for repeated start condition only) | 2   | —    | PER_CLK Cycle                |
| 8   | —      | CC | D         | Stop condition setup time                                      | 2   | —    | PER_CLK Cycle                |

1. PER\_CLK is the SoC peripheral clock, which drives the I<sup>2</sup>C BIU and module clock inputs. See the Clocking chapter in the device reference manual for more detail.

*Note:* In the following table:



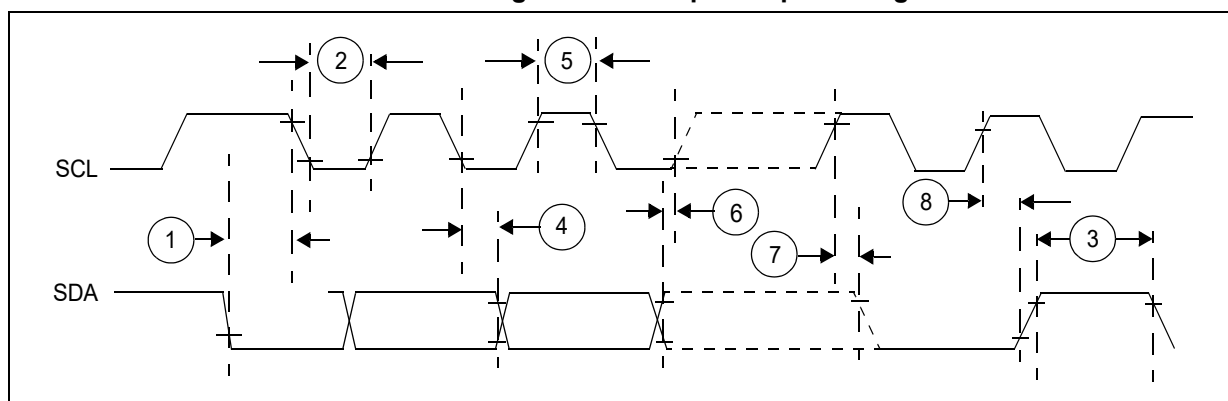
- All output timing is worst case and includes the mismatching of rise and fall times of the output pads.
- Output parameters are valid for  $CL = 25\text{ pF}$ , where  $CL$  is the external load to the device (lumped). The internal package capacitance is accounted for, and does not need to be subtracted from the  $25\text{ pF}$  value.
- Timing is guaranteed to same drive capabilities for all signals, mixing of pad drives may reduce operating speeds and may cause incorrect operation.
- Programming the IBFD register (I2C bus Frequency Divider) with the maximum frequency results in the minimum output timings listed. The I2C interface is designed to scale the data transition time, moving it to the middle of the SCL low period. The actual position is affected by the pre-scale and division values programmed in the IBC field of the IBFD register.

**Table 59. I2C output timing specifications — SCL and SDA**

| No. | Symbol | C  | Parameter | Value                                                          |     | Unit |                              |
|-----|--------|----|-----------|----------------------------------------------------------------|-----|------|------------------------------|
|     |        |    |           | Min                                                            | Max |      |                              |
| 1   | —      | CC | D         | Start condition hold time                                      | 6   | —    | PER_CLK Cycle <sup>(1)</sup> |
| 2   | —      | CC | D         | Clock low time                                                 | 10  | —    | PER_CLK Cycle                |
| 3   | —      | CC | D         | Bus free time between Start and Stop condition                 | 4.7 | —    | $\mu\text{s}$                |
| 4   | —      | CC | D         | Data hold time                                                 | 7   | —    | PER_CLK Cycle                |
| 5   | —      | CC | D         | Clock high time                                                | 10  | —    | PER_CLK Cycle                |
| 6   | —      | CC | D         | Data setup time                                                | 2   | —    | PER_CLK Cycle                |
| 7   | —      | CC | D         | Start condition setup time (for repeated start condition only) | 20  | —    | PER_CLK Cycle                |
| 8   | —      | CC | D         | Stop condition setup time                                      | 10  | —    | PER_CLK Cycle                |

1. PER\_CLK is the SoC peripheral clock, which drives the I<sup>2</sup>C BIU and module clock inputs. See the Clocking chapter in the device reference manual for more detail.

**Figure 42. I<sup>2</sup>C input/output timing**



## 5 Package information

In order to meet environmental requirements, ST offers these devices in different grades of ECOPACK packages, depending on their level of environmental compliance. ECOPACK specifications, grade definitions and product status are available at: [www.st.com](http://www.st.com). ECOPACK is an ST trademark.

The following table lists the case numbers for SPC584Bx.

**Table 60. Package case numbers**

| Package type | Device type |
|--------------|-------------|
| eTQFP64      | Production  |
| eTQFP100     | Production  |
| eTQFP144     | Production  |
| eLQFP176     | Production  |

### 5.1 eTQFP64 package information

Refer to [Section 5.1.1: Package mechanical drawings and data information](#) for full description of below figures and table notes.

Figure 43. eTQFP64 package outline

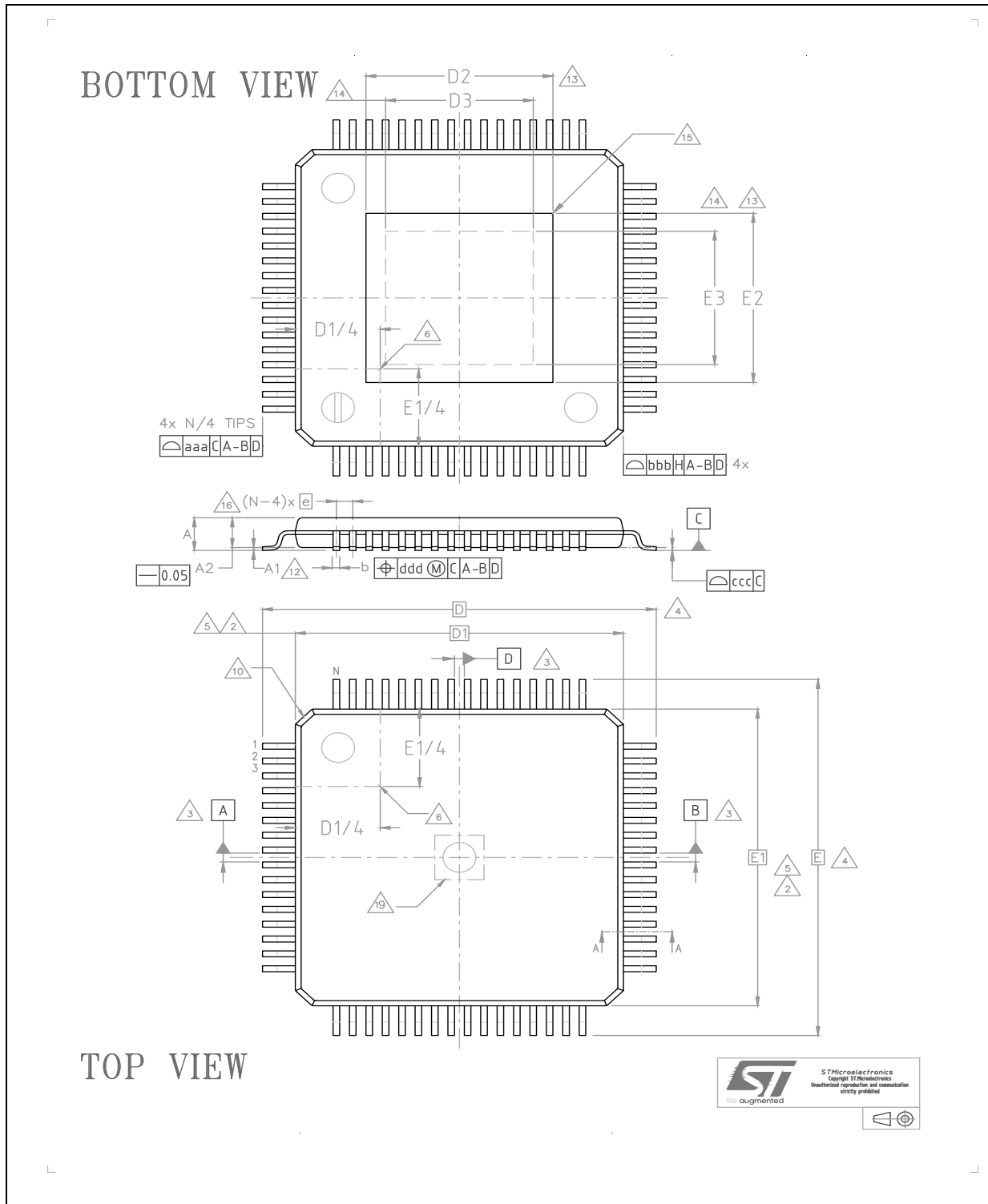


Figure 44. eTQFP64 section A-A

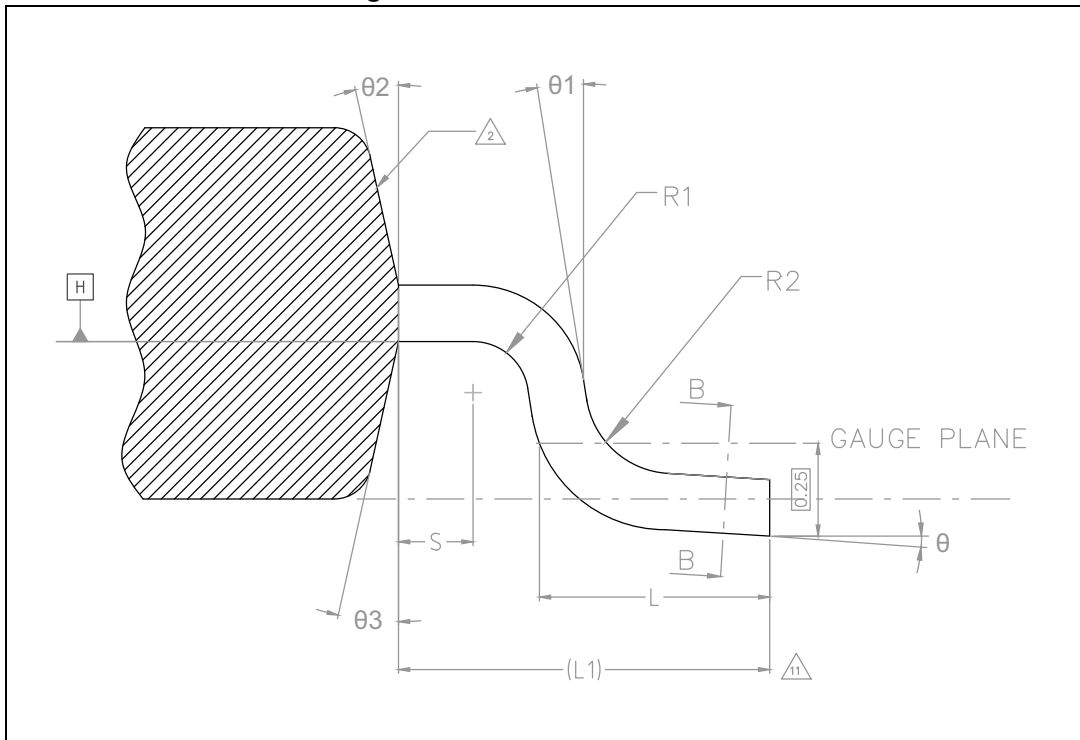


Figure 45. eTQFP64 section B-B

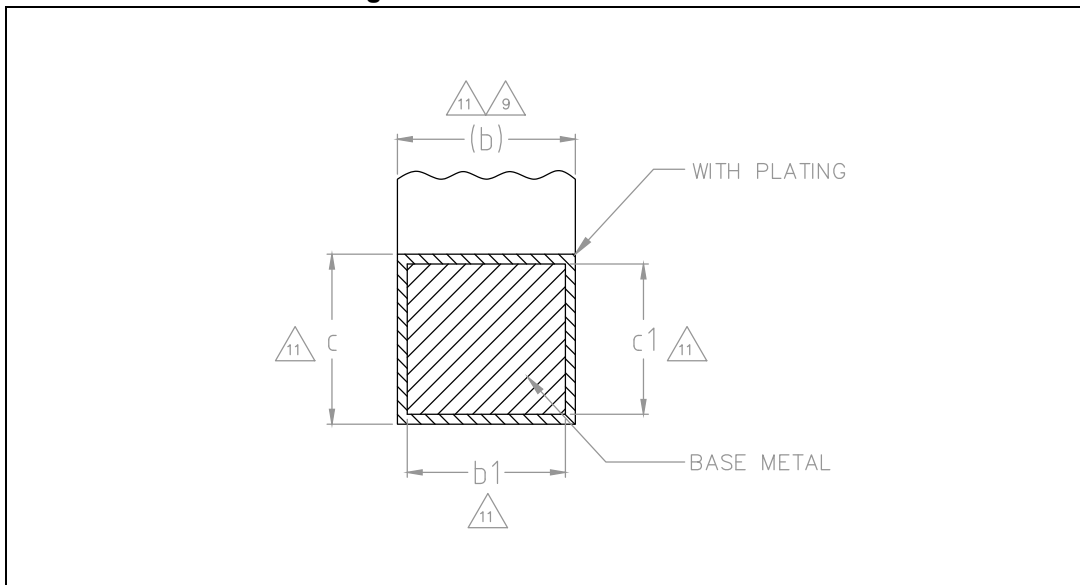




Table 61. eTQFP64 package mechanical data

| Symbol                    | Dimensions <sup>(7),(17)</sup> |      |      |
|---------------------------|--------------------------------|------|------|
|                           | Min.                           | Typ. | Max. |
| $\theta$                  | 0°                             | 3.5° | 7°   |
| $\theta_1$                | 0°                             | —    | —    |
| $\theta_2$                | 10°                            | 12°  | 14°  |
| $\theta_3$                | 10°                            | 12°  | 14°  |
| A <sup>(15)</sup>         | —                              | —    | 1.20 |
| A1 <sup>(12)</sup>        | 0.05                           | —    | 0.15 |
| A2 <sup>(15)</sup>        | 0.95                           | 1.00 | 1.05 |
| b <sup>(8),(9),(11)</sup> | 0.17                           | 0.22 | 0.27 |
| b1 <sup>(11)</sup>        | 0.17                           | 0.20 | 0.23 |
| c <sup>(11)</sup>         | 0.09                           | —    | 0.20 |
| c1 <sup>(11)</sup>        | 0.09                           | —    | 0.16 |
| D <sup>(4)</sup>          | 12 BSC                         |      |      |
| D1 <sup>(2),(5)</sup>     | 10 BSC                         |      |      |
| D2 <sup>(13)</sup>        | —                              | —    | 5.85 |
| D3 <sup>(14)</sup>        | 4.10                           | —    | —    |
| e                         | 0.50 BSC                       |      |      |
| E <sup>(4)</sup>          | 12 BSC                         |      |      |
| E1 <sup>(2),(5)</sup>     | 10 BSC                         |      |      |
| E2 <sup>(13)</sup>        | —                              | —    | 5.85 |
| E3 <sup>(14)</sup>        | 4.10                           | —    | —    |
| L                         | 0.45                           | 0.60 | 0.75 |
| L1                        | 1 REF                          |      |      |
| N <sup>(16)</sup>         | 64                             |      |      |
| R1                        | 0.08                           | —    | —    |
| R2                        | 0.08                           | —    | 0.20 |
| S                         | 0.20                           | —    | —    |
| aaa <sup>(1),(18)</sup>   | 0.20                           |      |      |
| bbb <sup>(1),(18)</sup>   | 0.20                           |      |      |
| ccc <sup>(1),(18)</sup>   | 0.08                           |      |      |
| ddd <sup>(1),(18)</sup>   | 0.08                           |      |      |

### 5.1.1 Package mechanical drawings and data information

The following notes are related to [Figure 43](#), [Figure 44](#), [Figure 45](#) and [Table 61](#):

1. Dimensioning and tolerancing schemes conform to ASME Y14.5M-1994.
2. The Top package body size may be smaller than the bottom package size by as much as 0.15 mm.
3. Datums A-B and D to be determined at datum plane H.
4. To be determined at seating datum plane C.
5. Dimensions D1 and E1 do not include mold flash or protrusions. Allowable mold flash or protrusions is "0.25 mm" per side. D1 and E1 are Maximum plastic body size dimensions including mold mismatch.
6. Details of pin 1 identifier are optional but must be located within the zone indicated.
7. All dimensions are in millimeter except where explicitly noted.
8. No intrusion allowed inwards the leads.
9. Dimension "b" does not include dambar protrusion. Allowable dambar protrusion shall not cause the lead width to exceed the maximum "b" dimension by more than 0.08 mm. Dambar cannot be located on the lower radius or the foot. Minimum space between protrusion and an adjacent lead is 0.07 mm for 0.4 mm and 0.5 mm pitch packages.
10. Exact shape of each corner is optional.
11. These dimensions apply to the flat section of the lead between 0.10 mm and 0.25 mm from the lead tip.
12. A1 is defined as the distance from the seating plane to the lowest point on the package body.
13. Dimensions D2 and E2 show the maximum exposed metal area on the package surface where the exposed pad is located (if present). It includes all metal protrusions from exposed pad itself. Type of exposed pad on SPC584Bx(variable) is as [Figure 46](#). End user should verify D2 and E2 dimensions according to the specific device application.
14. Dimensions D3 and E3 show the minimum solderable area, defined as the portion of exposed pad which is guaranteed to be free from resin flashes/bleeds, bordered by internal edge of inner groove.
15. The optional exposed pad is generally coincident with the top or bottom side of the package and not allowed to protrude beyond that surface.
16. "N" is the max number of terminal positions for the specified body size.
17. Critical dimensions:
  - a) Stand-Off
  - b) Overall Width
  - c) Lead Coplanarity
18. For symbols, recommended values and tolerances, see [Table 62](#).
19. Notch may be present in this area (MAX 1.5mm square) if center top gate molding technology is applied. Resin gate residual not protruding out of package top surface.

Figure 46. eTQFP64 leadframe pad design

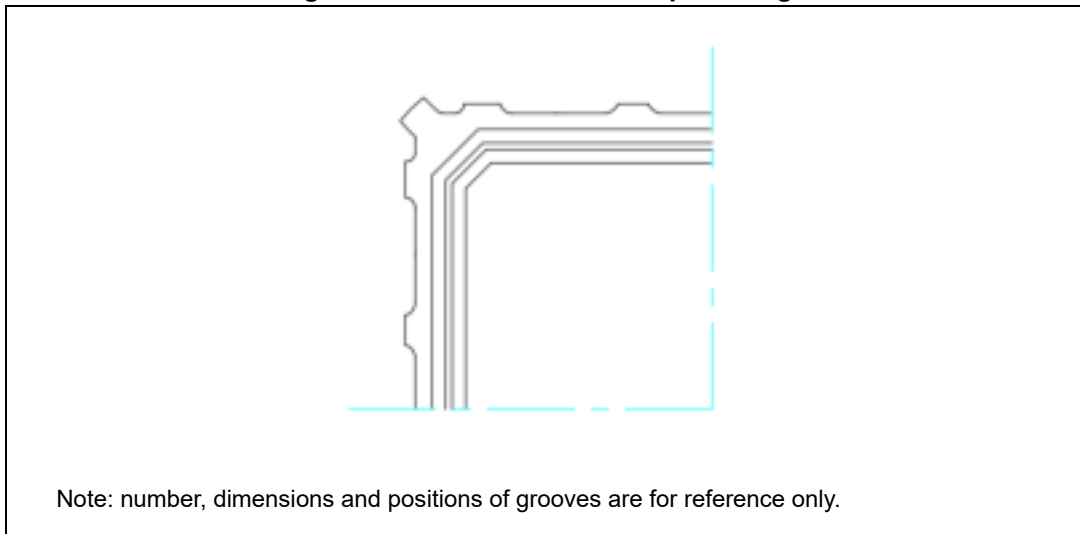


Table 62. eTQFP64 symbol definitions

| Symbol | Definition                                                                                                                                                                                                      | Notes                                                                                                                                                                                           |
|--------|-----------------------------------------------------------------------------------------------------------------------------------------------------------------------------------------------------------------|-------------------------------------------------------------------------------------------------------------------------------------------------------------------------------------------------|
| aaa    | The tolerance that controls the position of the terminal pattern with respect to Datum A and B. The center of the tolerance zone for each terminal is defined by basic dimension e as related to Datum A and B. | For flange-molded packages, this tolerance also applies for basic dimensions D1 and E1. For packages tooled with intentional terminal tip protrusions, aaa does not apply to those protrusions. |
| bbb    | The bilateral profile tolerance that controls the position of the plastic body sides. The centers of the profile zones are defined by the basic dimensions D and E.                                             | —                                                                                                                                                                                               |
| ccc    | The unilateral tolerance located above the seating plane where in the bottom surface of all terminals must be located.                                                                                          | This tolerance is commonly know as the “coplanarity” of the package terminals.                                                                                                                  |
| ddd    | The tolerance that controls the position of the terminals to each other. The centers of the profile zones are defined by basic dimension e.                                                                     | This tolerance is normally compounded with tolerance zone defined by “b”.                                                                                                                       |

## 5.2 eTQFP100 package information

Refer to [Section 5.2.1: Package mechanical drawings and data information](#) for full description of below figures and table notes.

Figure 47. eTQFP100 package outline

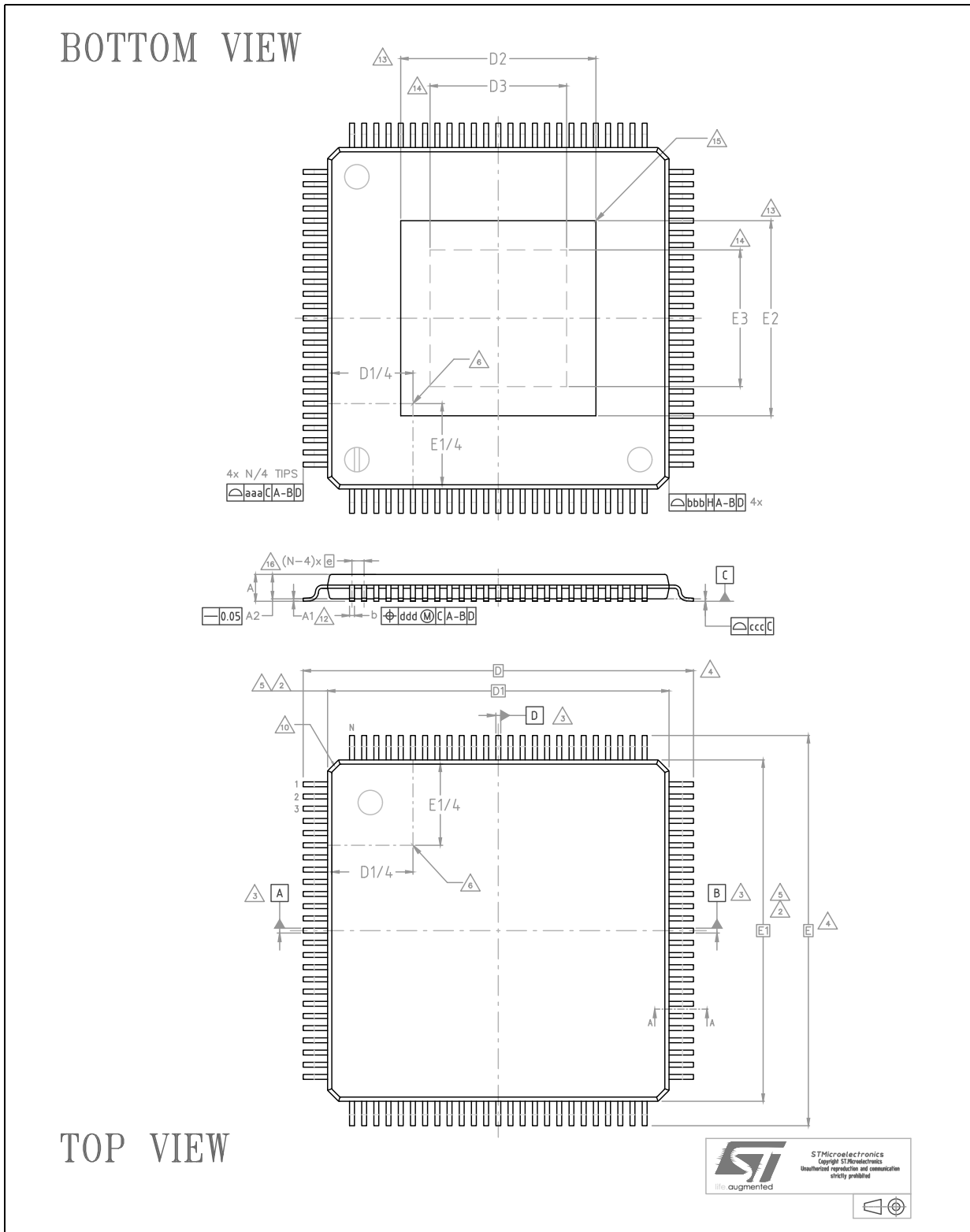


Figure 48. eTQFP100 section A-A

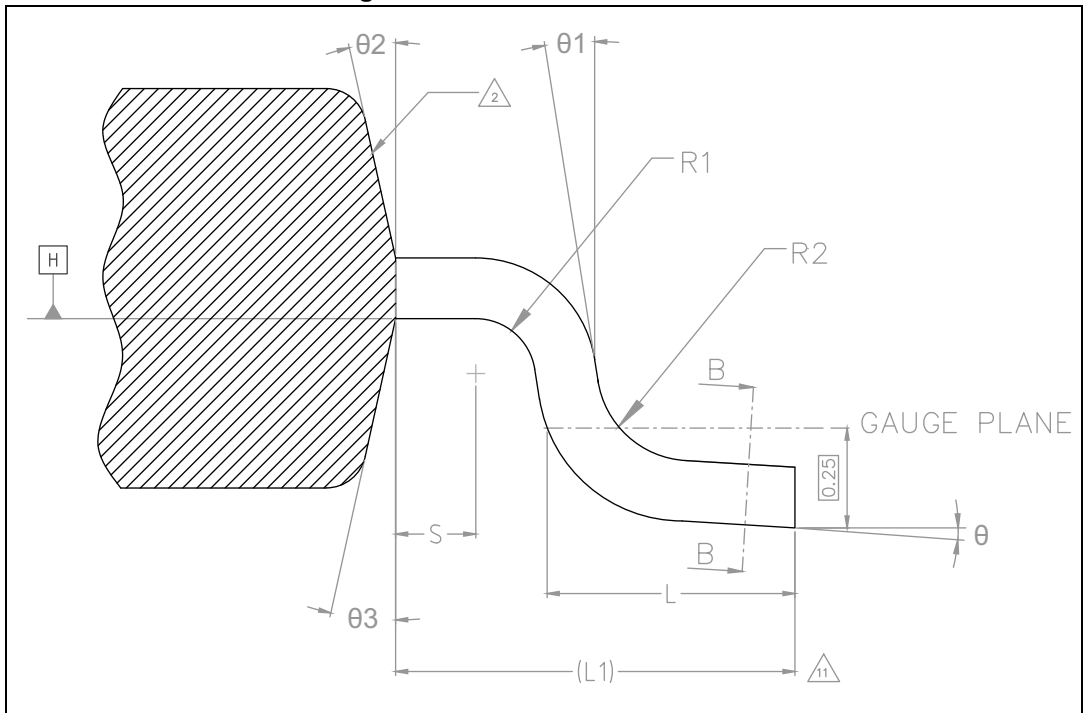


Figure 49. eTQFP100 section B-B

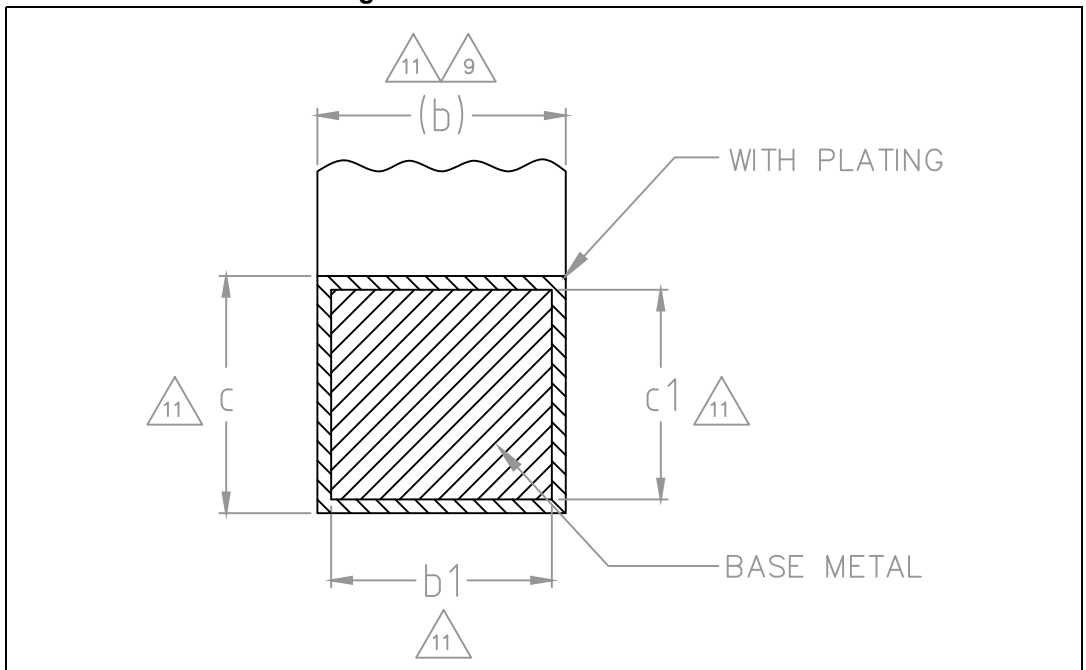


Table 63. eTQFP100 package mechanical data

| Symbol                    | Dimensions <sup>(7),(17)</sup> |      |      |
|---------------------------|--------------------------------|------|------|
|                           | Min.                           | Typ. | Max. |
| $\theta$                  | 0°                             | 3.5° | 7°   |
| $\theta_1$                | 0°                             | —    | —    |
| $\theta_2$                | 10°                            | 12°  | 14°  |
| $\theta_3$                | 10°                            | 12°  | 14°  |
| A <sup>(15)</sup>         | —                              | —    | 1.20 |
| A1 <sup>(12)</sup>        | 0.05                           | —    | 0.15 |
| A2 <sup>(15)</sup>        | 0.95                           | 1.00 | 1.05 |
| b <sup>(8),(9),(11)</sup> | 0.17                           | 0.22 | 0.27 |
| b1 <sup>(11)</sup>        | 0.17                           | 0.20 | 0.23 |
| c <sup>(11)</sup>         | 0.09                           | —    | 0.20 |
| c1 <sup>(11)</sup>        | 0.09                           | —    | 0.16 |
| D <sup>(4)</sup>          | 16.00 BSC                      |      |      |
| D1 <sup>(2),(5)</sup>     | 14.00 BSC                      |      |      |
| D2 <sup>(13)</sup>        | —                              | —    | 6.77 |
| D3 <sup>(14)</sup>        | 5.10                           | —    | —    |
| e                         | 0.50 BSC                       |      |      |
| E <sup>(4)</sup>          | 16.00 BSC                      |      |      |
| E1 <sup>(2),(5)</sup>     | 14.00 BSC                      |      |      |
| E2 <sup>(13)</sup>        | —                              | —    | 6.77 |
| E3 <sup>(14)</sup>        | 5.10                           | —    | —    |
| L                         | 0.45                           | 0.60 | 0.75 |
| L1                        | 1.00 REF                       |      |      |
| N <sup>(16)</sup>         | 100                            |      |      |
| R1                        | 0.08                           | —    | —    |
| R2                        | 0.08                           | —    | 0.20 |
| S                         | 0.20                           | —    | —    |
| aaa <sup>(1),(18)</sup>   | 0.20                           |      |      |
| bbb <sup>(1),(18)</sup>   | 0.20                           |      |      |
| ccc <sup>(1),(18)</sup>   | 0.08                           |      |      |
| ddd <sup>(1),(18)</sup>   | 0.08                           |      |      |

## 5.2.1 Package mechanical drawings and data information

The following notes are related to [Figure 47](#), [Figure 48](#), [Figure 49](#) and [Table 63](#):

1. Dimensioning and tolerancing schemes conform to ASME Y14.5M-1994.
2. The Top package body size may be smaller than the bottom package size by as much as 0.15 mm.
3. Datums A-B and D to be determined at datum plane H.
4. To be determined at seating datum plane C.
5. Dimensions D1 and E1 do not include mold flash or protrusions. Allowable mold flash or protrusions is "0.25 mm" per side. D1 and E1 are Maximum plastic body size dimensions including mold mismatch.
6. Details of pin 1 identifier are optional but must be located within the zone indicated.
7. All dimensions are in millimeter except where explicitly noted.
8. No intrusion allowed inwards the leads.
9. Dimension "b" does not include dambar protrusion. Allowable dambar protrusion shall not cause the lead width to exceed the maximum "b" dimension by more than 0.08 mm. Dambar cannot be located on the lower radius or the foot. Minimum space between protrusion and an adjacent lead is 0.07 mm for 0.4 mm and 0.5 mm pitch packages.
10. Exact shape of each corner is optional.
11. These dimensions apply to the flat section of the lead between 0.10 mm and 0.25 mm from the lead tip.
12. A1 is defined as the distance from the seating plane to the lowest point on the package body.
13. Dimensions D2 and E2 show the maximum exposed metal area on the package surface where the exposed pad is located (if present). It includes all metal protrusions from exposed pad itself. Type of exposed pad on SPC584Bx is as [Figure 50](#). End user should verify D2 and E2 dimensions according to the specific device application.
14. Dimensions D3 and E3 show the minimum solderable area, defined as the portion of exposed pad which is guaranteed to be free from resin flashes/bleeds, bordered by internal edge of inner groove.
15. The optional exposed pad is generally coincident with the top or bottom side of the package and not allowed to protrude beyond that surface.
16. "N" is the max number of terminal positions for the specified body size.
17. Critical dimensions:
  - a) Stand-Off
  - b) Overall Width
  - c) Lead Coplanarity
18. For symbols, recommended values and tolerances, see [Table 64](#).

Figure 50. eTQFP100 leadframe pad design

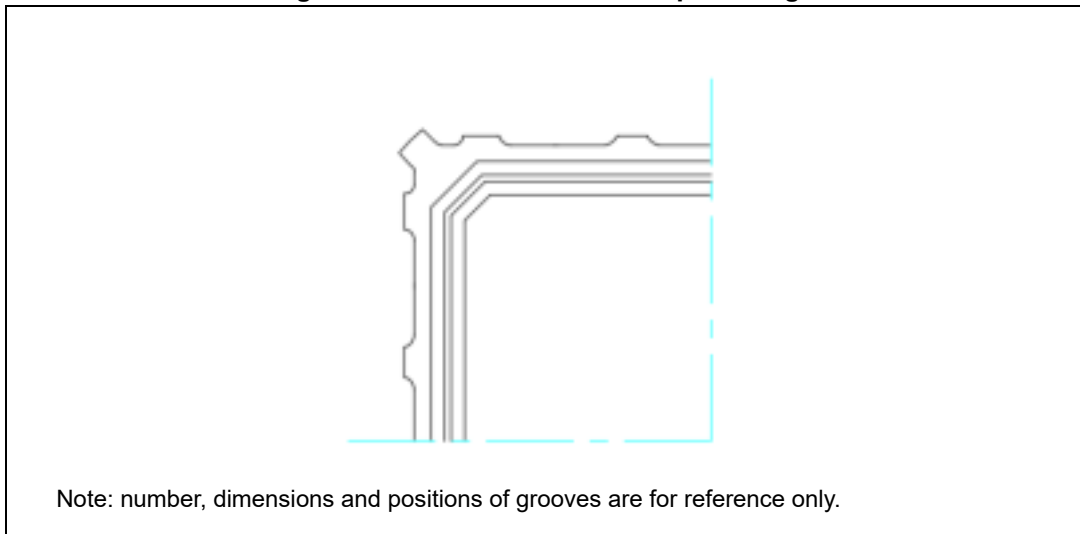


Table 64. eTQFP100 symbol definitions

| Symbol | Definition                                                                                                                                                                                                      | Notes                                                                                                                                                                                           |
|--------|-----------------------------------------------------------------------------------------------------------------------------------------------------------------------------------------------------------------|-------------------------------------------------------------------------------------------------------------------------------------------------------------------------------------------------|
| aaa    | The tolerance that controls the position of the terminal pattern with respect to Datum A and B. The center of the tolerance zone for each terminal is defined by basic dimension e as related to Datum A and B. | For flange-molded packages, this tolerance also applies for basic dimensions D1 and E1. For packages tooled with intentional terminal tip protrusions, aaa does not apply to those protrusions. |
| bbb    | The bilateral profile tolerance that controls the position of the plastic body sides. The centers of the profile zones are defined by the basic dimensions D and E.                                             | —                                                                                                                                                                                               |
| ccc    | The unilateral tolerance located above the seating plane where in the bottom surface of all terminals must be located.                                                                                          | This tolerance is commonly know as the “coplanarity” of the package terminals.                                                                                                                  |
| ddd    | The tolerance that controls the position of the terminals to each other. The centers of the profile zones are defined by basic dimension e.                                                                     | This tolerance is normally compounded with tolerance zone defined by “b”.                                                                                                                       |

### 5.3 eTQFP144 package information

Refer to [Section 5.3.1: Package mechanical drawings and data information](#) for full description of below figures and table notes.



Figure 51. eTQFP144 package outline

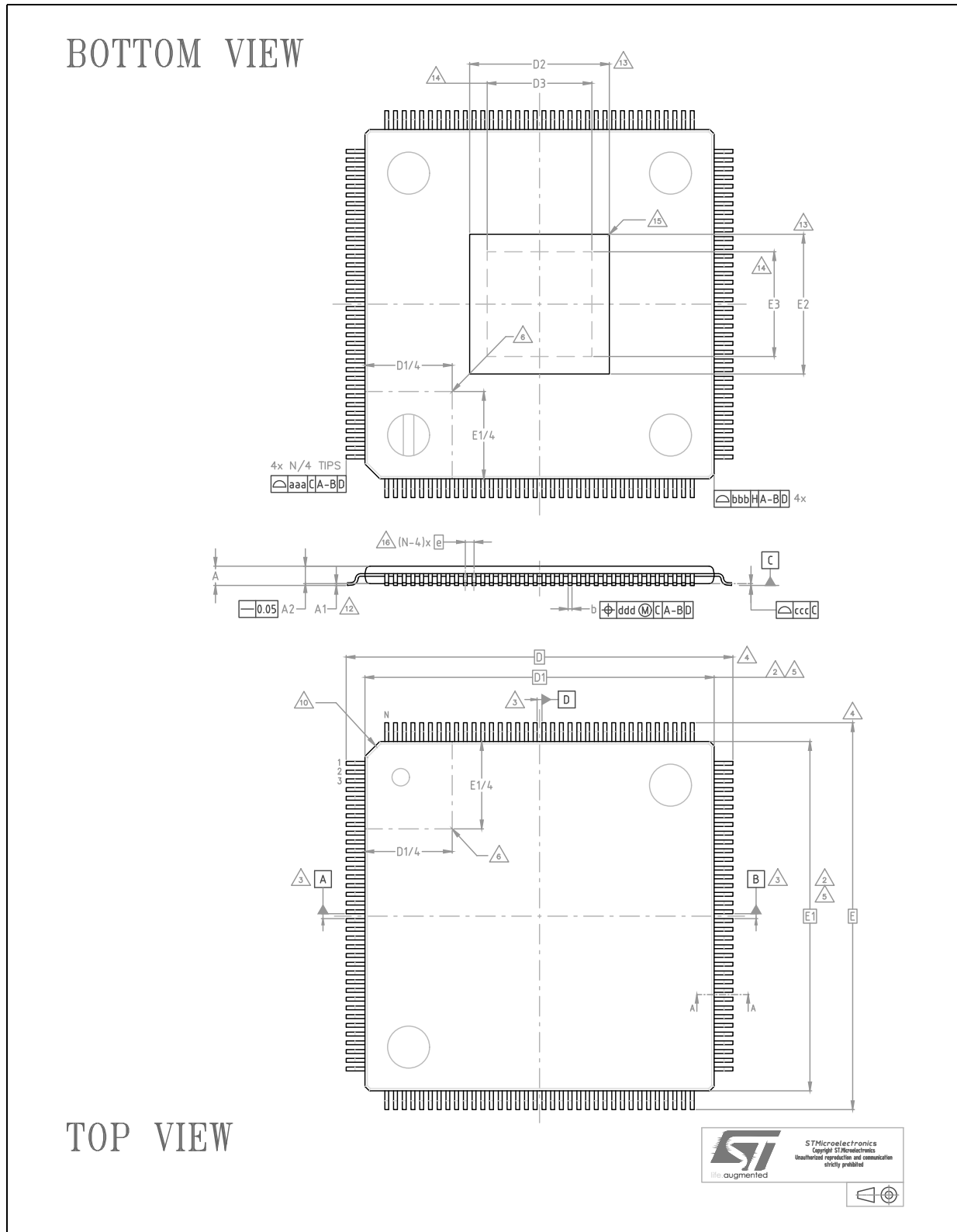


Figure 52. eTQFP144 section A-A

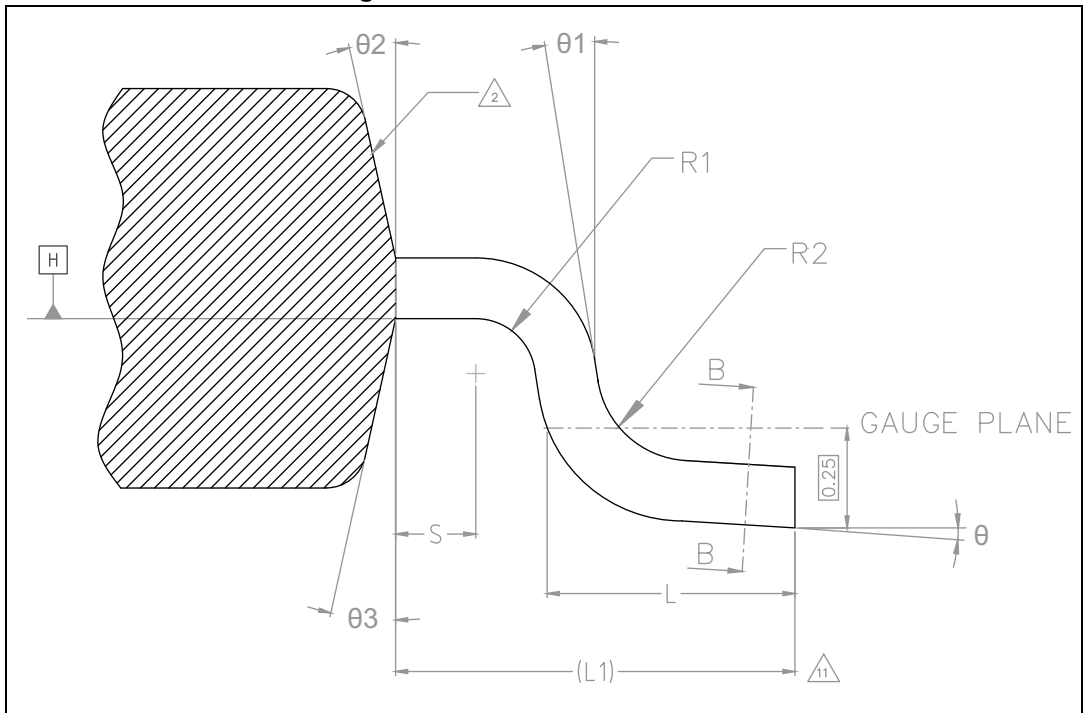


Figure 53. eTQFP144 section B-B

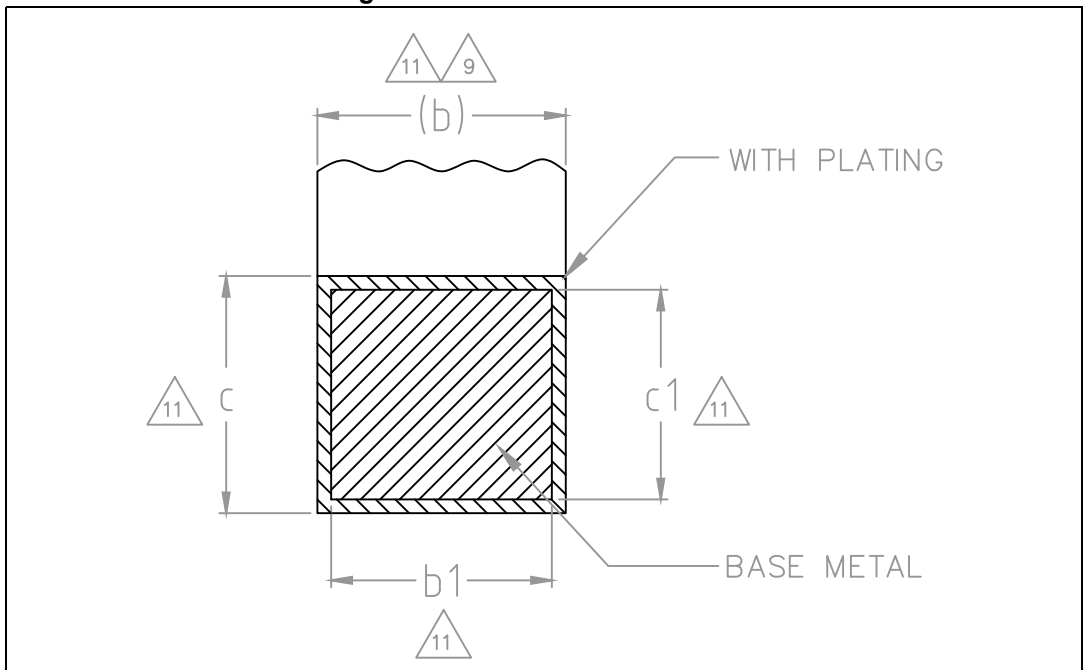


Table 65. eTQFP144 package mechanical data

| Symbol                    | Dimensions <sup>(7),(17)</sup> |           |       |
|---------------------------|--------------------------------|-----------|-------|
|                           | Min.                           | Typ.      | Max.  |
| $\theta$                  | 0.0°                           | 3.5°      | 7.0°  |
| $\theta_1$                | 0.0°                           | —         | —     |
| $\theta_2$                | 10.0°                          | 12.0°     | 14.0° |
| $\theta_3$                | 10.0°                          | 12.0°     | 14.0° |
| A <sup>(15)</sup>         | —                              | —         | 1.20  |
| A1 <sup>(12)</sup>        | 0.05                           | —         | 0.15  |
| A2 <sup>(15)</sup>        | 0.95                           | 1.00      | 1.05  |
| b <sup>(8),(9),(11)</sup> | 0.17                           | 0.22      | 0.27  |
| b1 <sup>(11)</sup>        | 0.17                           | 0.20      | 0.23  |
| c <sup>(11)</sup>         | 0.09                           | —         | 0.20  |
| c1 <sup>(11)</sup>        | 0.09                           | —         | 0.16  |
| D <sup>(4)</sup>          | —                              | 22.00 BSC | —     |
| D1 <sup>(2),(5)</sup>     | —                              | 20.00 BSC | —     |
| D2 <sup>(13)</sup>        | —                              | —         | 6.77  |
| D3 <sup>(14)</sup>        | 5.10                           | —         | —     |
| E <sup>(4)</sup>          | —                              | 22.00 BSC | —     |
| E1 <sup>(2),(5)</sup>     | —                              | 20.00 BSC | —     |
| E2 <sup>(13)</sup>        | —                              | —         | 6.77  |
| E3 <sup>(14)</sup>        | 5.10                           | —         | —     |
| e                         | 0.50 BSC                       |           |       |
| L                         | 0.45                           | 0.60      | 0.75  |
| L1                        | —                              | 1.00 REF  | —     |
| N <sup>(16)</sup>         | 144                            |           |       |
| R1                        | 0.08                           | —         | —     |
| R2                        | 0.08                           | —         | 0.20  |
| S                         | 0.20                           | —         | —     |
| aaa <sup>(1),(18)</sup>   | 0.20                           |           |       |
| bbb <sup>(1),(18)</sup>   | 0.20                           |           |       |
| ccc <sup>(1),(18)</sup>   | 0.08                           |           |       |
| ddd <sup>(1),(18)</sup>   | 0.08                           |           |       |

### 5.3.1 Package mechanical drawings and data information

The following notes are related to [Figure 51](#), [Figure 52](#), [Figure 53](#) and [Table 65](#):

1. Dimensioning and tolerancing schemes conform to ASME Y14.5M-1994.
2. The Top package body size may be smaller than the bottom package size by as much as 0.15 mm.
3. Datums A-B and D to be determined at datum plane H.
4. To be determined at seating datum plane C.
5. Dimensions D1 and E1 do not include mold flash or protrusions. Allowable mold flash or protrusions is "0.25 mm" per side. D1 and E1 are Maximum plastic body size dimensions including mold mismatch.
6. Details of pin 1 identifier are optional but must be located within the zone indicated.
7. All dimensions are in millimeter except where explicitly noted.
8. No intrusion allowed inwards the leads.
9. Dimension "b" does not include dambar protrusion. Allowable dambar protrusion shall not cause the lead width to exceed the maximum "b" dimension by more than 0.08 mm. Dambar cannot be located on the lower radius or the foot. Minimum space between protrusion and an adjacent lead is 0.07 mm for 0.4 mm and 0.5 mm pitch packages.
10. Exact shape of each corner is optional.
11. These dimensions apply to the flat section of the lead between 0.10 mm and 0.25 mm from the lead tip.
12. A1 is defined as the distance from the seating plane to the lowest point on the package body.
13. Dimensions D2 and E2 show the maximum exposed metal area on the package surface where the exposed pad is located (if present). It includes all metal protrusions from exposed pad itself. Type of exposed pad on SPC584Bx is as [Figure 54](#). End user should verify D2 and E2 dimensions according to the specific device application.
14. Dimensions D3 and E3 show the minimum solderable area, defined as the portion of exposed pad which is guaranteed to be free from resin flashes/bleeds, bordered by internal edge of inner groove.
15. The optional exposed pad is generally coincident with the top or bottom side of the package and not allowed to protrude beyond that surface.
16. "N" is the max number of terminal positions for the specified body size.
17. Critical dimensions:
  - a) Stand-Off
  - b) Overall Width
  - c) Lead Coplanarity
18. For symbols, recommended values and tolerances, see [Table 66](#).

Figure 54. eTQFP144 leadframe pad design

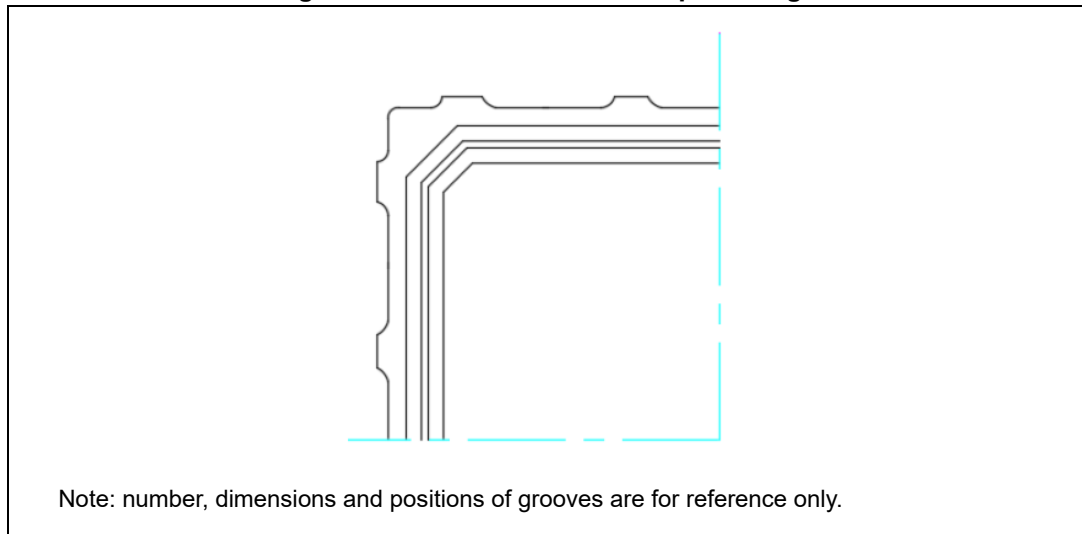


Table 66. eTQFP144 symbol definitions

| Symbol | Definition                                                                                                                                                                                                      | Notes                                                                                                                                                                                           |
|--------|-----------------------------------------------------------------------------------------------------------------------------------------------------------------------------------------------------------------|-------------------------------------------------------------------------------------------------------------------------------------------------------------------------------------------------|
| aaa    | The tolerance that controls the position of the terminal pattern with respect to Datum A and B. The center of the tolerance zone for each terminal is defined by basic dimension e as related to Datum A and B. | For flange-molded packages, this tolerance also applies for basic dimensions D1 and E1. For packages tooled with intentional terminal tip protrusions, aaa does not apply to those protrusions. |
| bbb    | The bilateral profile tolerance that controls the position of the plastic body sides. The centers of the profile zones are defined by the basic dimensions D and E.                                             | —                                                                                                                                                                                               |
| ccc    | The unilateral tolerance located above the seating plane where in the bottom surface of all terminals must be located.                                                                                          | This tolerance is commonly known as the “coplanarity” of the package terminals.                                                                                                                 |
| ddd    | The tolerance that controls the position of the terminals to each other. The centers of the profile zones are defined by basic dimension e.                                                                     | This tolerance is normally compounded with tolerance zone defined by “b”.                                                                                                                       |

## 5.4 eLQFP176 package information

Refer to [Section 5.4.1: Package mechanical drawings and data information](#) for full description of below figures and table notes.

Figure 55. eLQFP176 package outline

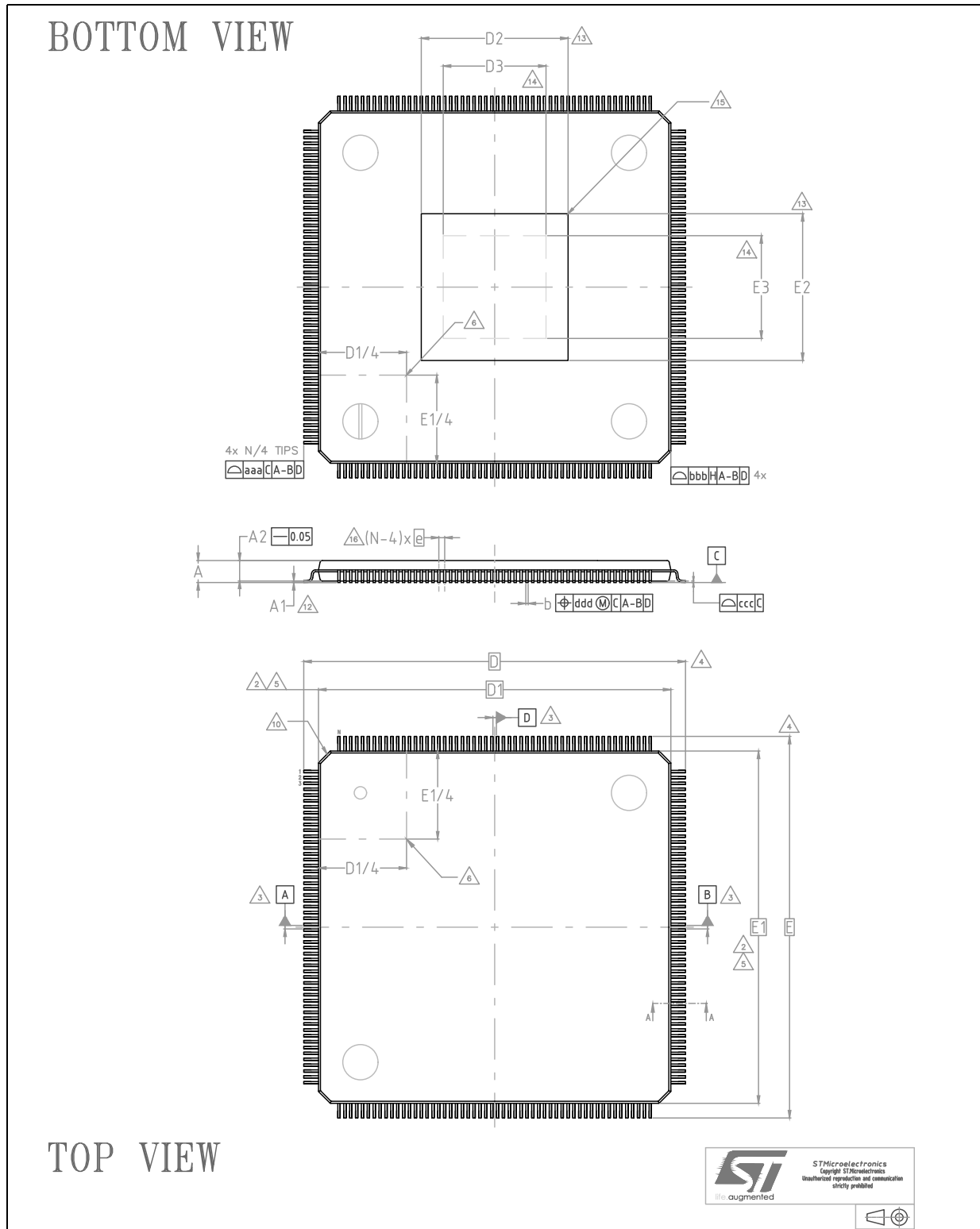


Figure 56. eLQFP176 section A-A

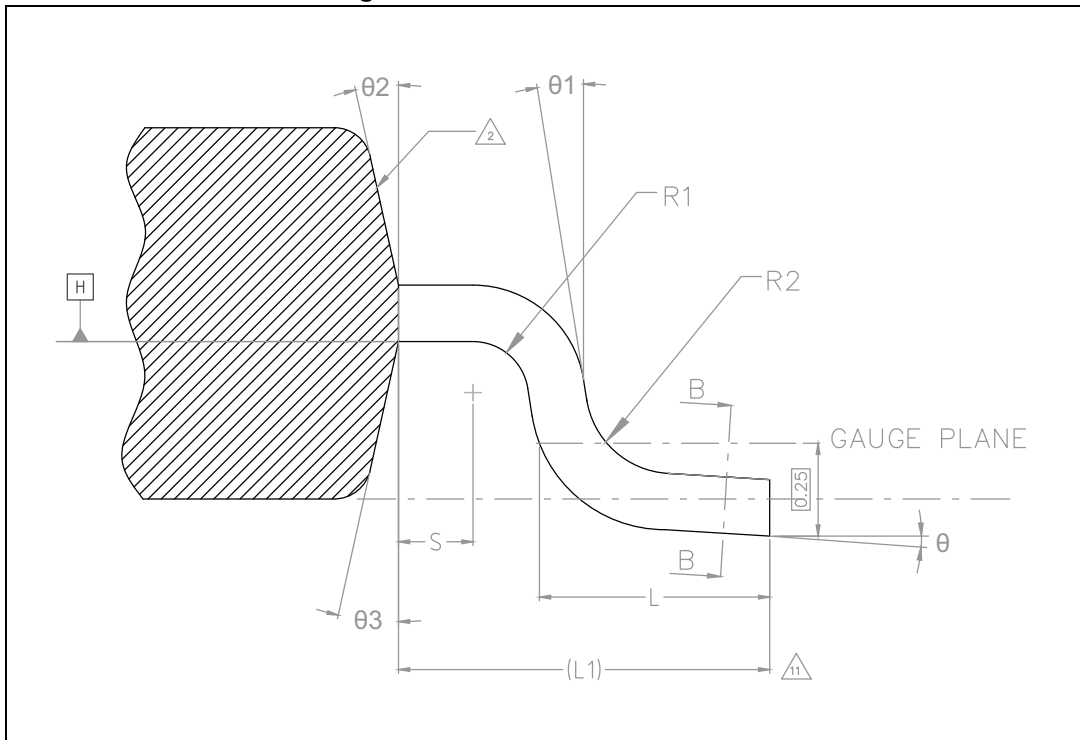


Figure 57. eLQFP176 section B-B

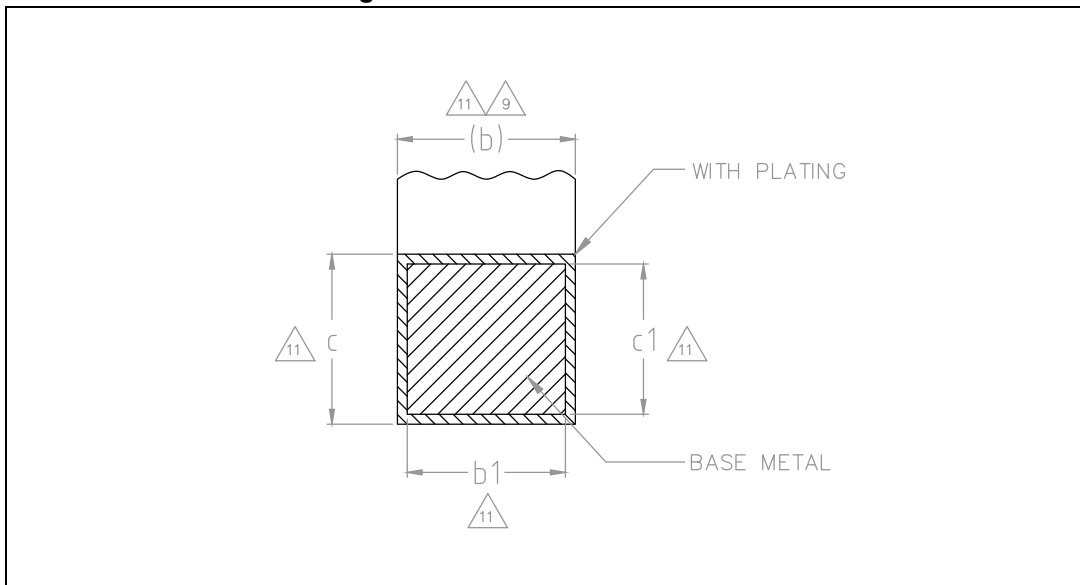


Table 67. eLQFP176 package mechanical data

| Symbol                    | Dimensions <sup>(7),(17)</sup> |      |      |
|---------------------------|--------------------------------|------|------|
|                           | Min.                           | Nom. | Max. |
| $\theta$                  | 0°                             | 3.5° | 7°   |
| $\theta_1$                | 0°                             | —    | —    |
| $\theta_2$                | 10°                            | 12°  | 14°  |
| $\theta_3$                | 10°                            | 12°  | 14°  |
| A <sup>(15)</sup>         | —                              | —    | 1.60 |
| A1 <sup>(12)</sup>        | 0.05                           | —    | 0.15 |
| A2 <sup>(15)</sup>        | 1.35                           | 1.40 | 1.45 |
| b <sup>(8),(9),(11)</sup> | 0.17                           | 0.22 | 0.27 |
| b1 <sup>(11)</sup>        | 0.17                           | 0.20 | 0.23 |
| c <sup>(11)</sup>         | 0.09                           | —    | 0.20 |
| c1 <sup>(11)</sup>        | 0.09                           | —    | 0.16 |
| D <sup>(4)</sup>          | 26.00 BSC                      |      |      |
| D1 <sup>(2),(5)</sup>     | 24.00 BSC                      |      |      |
| D2 <sup>(13)</sup>        | —                              | —    | 7.77 |
| D3 <sup>(14)</sup>        | 6.10                           | —    | —    |
| e                         | 0.50 BSC                       |      |      |
| E <sup>(4)</sup>          | 26.00 BSC                      |      |      |
| E1 <sup>(2),(5)</sup>     | 24.00 BSC                      |      |      |
| E2 <sup>(13)</sup>        | —                              | —    | 7.77 |
| E3 <sup>(14)</sup>        | 6.10                           | —    | —    |
| L                         | 0.45                           | 0.60 | 0.75 |
| L1                        | 1.00 REF                       |      |      |
| N <sup>(16)</sup>         | 176                            |      |      |
| R1                        | 0.08                           | —    | —    |
| R2                        | 0.08                           | —    | 0.20 |
| S                         | 0.20                           | —    | —    |
| aaa <sup>(1),(18)</sup>   | 0.20                           |      |      |
| bbb <sup>(1),(18)</sup>   | 0.20                           |      |      |
| ccc <sup>(1),(18)</sup>   | 0.08                           |      |      |
| ddd <sup>(1),(18)</sup>   | 0.08                           |      |      |



### 5.4.1 Package mechanical drawings and data information

The following notes are related to [Figure 55](#), [Figure 56](#), [Figure 57](#) and [Table 67](#):

1. Dimensioning and tolerancing schemes conform to ASME Y14.5M-1994.
2. The Top package body size may be smaller than the bottom package size by as much as 0.15 mm.
3. Datums A-B and D to be determined at datum plane H.
4. To be determined at seating datum plane C.
5. Dimensions D1 and E1 do not include mold flash or protrusions. Allowable mold flash or protrusions is "0.25 mm" per side. D1 and E1 are Maximum plastic body size dimensions including mold mismatch.
6. Details of pin 1 identifier are optional but must be located within the zone indicated.
7. All dimensions are in millimeter except where explicitly noted.
8. No intrusion allowed inwards the leads.
9. Dimension "b" does not include dambar protrusion. Allowable dambar protrusion shall not cause the lead width to exceed the maximum "b" dimension by more than 0.08 mm. Dambar cannot be located on the lower radius or the foot. Minimum space between protrusion and an adjacent lead is 0.07 mm for 0.4 mm and 0.5 mm pitch packages.
10. Exact shape of each corner is optional.
11. These dimensions apply to the flat section of the lead between 0.10 mm and 0.25 mm from the lead tip.
12. A1 is defined as the distance from the seating plane to the lowest point on the package body.
13. Dimensions D2 and E2 show the maximum exposed metal area on the package surface where the exposed pad is located (if present). It includes all metal protrusions from exposed pad itself. Type of exposed pad on SPC584Bx is as [Figure 58](#). End user should verify D2 and E2 dimensions according to the specific device application.
14. Dimensions D3 and E3 show the minimum solderable area, defined as the portion of exposed pad which is guaranteed to be free from resin flashes/bleeds, bordered by internal edge of inner groove.
15. The optional exposed pad is generally coincident with the top or bottom side of the package and not allowed to protrude beyond that surface.
16. "N" is the max number of terminal positions for the specified body size.
17. Critical dimensions:
  - a) Stand-Off
  - b) Overall Width
  - c) Lead Coplanarity
18. For symbols, recommended values and tolerances, see [Table 68](#).

Figure 58. eLQFP176 leadframe pad design

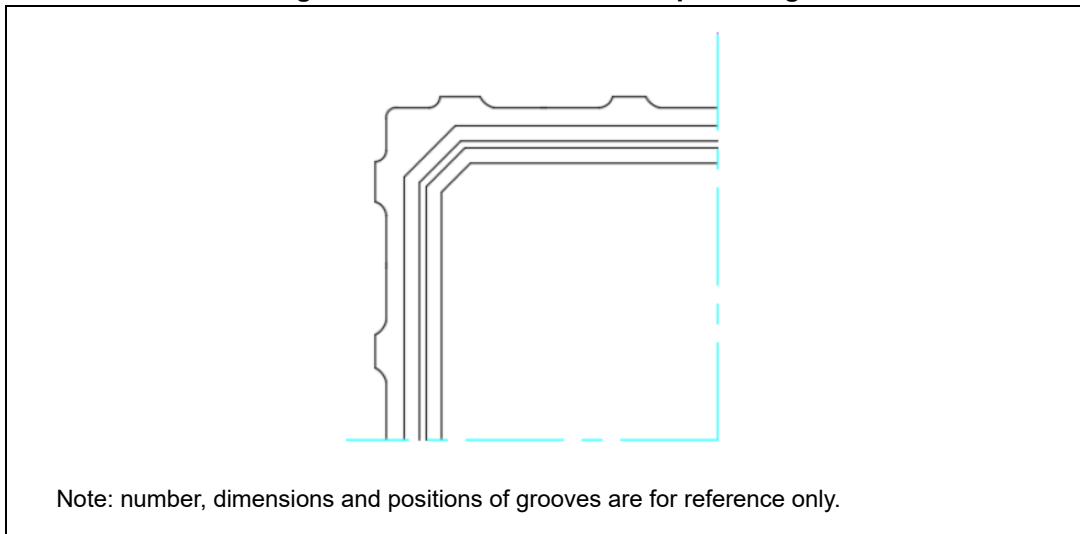


Table 68. eLQFP176 symbol definitions

| Symbol | Definition                                                                                                                                                                                                      | Notes                                                                                                                                                                                           |
|--------|-----------------------------------------------------------------------------------------------------------------------------------------------------------------------------------------------------------------|-------------------------------------------------------------------------------------------------------------------------------------------------------------------------------------------------|
| aaa    | The tolerance that controls the position of the terminal pattern with respect to Datum A and B. The center of the tolerance zone for each terminal is defined by basic dimension e as related to Datum A and B. | For flange-molded packages, this tolerance also applies for basic dimensions D1 and E1. For packages tooled with intentional terminal tip protrusions, aaa does not apply to those protrusions. |
| bbb    | The bilateral profile tolerance that controls the position of the plastic body sides. The centers of the profile zones are defined by the basic dimensions D and E.                                             | —                                                                                                                                                                                               |
| ccc    | The unilateral tolerance located above the seating plane where in the bottom surface of all terminals must be located.                                                                                          | This tolerance is commonly know as the “coplanarity” of the package terminals.                                                                                                                  |
| ddd    | The tolerance that controls the position of the terminals to each other. The centers of the profile zones are defined by basic dimension e.                                                                     | This tolerance is normally compounded with tolerance zone defined by “b”.                                                                                                                       |

## 5.5 Package thermal characteristics

The following tables describe the thermal characteristics of the device. The parameters in this chapter have been evaluated by considering the device consumption configuration reported in the [Section 4.7: Device consumption](#).

### 5.5.1 eTQFP64

**Table 69. Thermal characteristics for 64 exposed pad eTQFP package**

| Symbol               | C  | D | Parameter <sup>(1)</sup>                               | Conditions                               | Value | Unit |
|----------------------|----|---|--------------------------------------------------------|------------------------------------------|-------|------|
| $R_{\theta JA}$      | CC | D | Junction-to-Ambient, Natural Convection <sup>(2)</sup> | Four layer board (2s2p)                  | 30.8  | °C/W |
| $R_{\theta JMA}$     | CC | D | Junction-to-Moving-Air, Ambient <sup>(2)</sup>         | at 200 ft./min., four layer board (2s2p) | 24.4  | °C/W |
| $R_{\theta JB}$      | CC | D | Junction-to-board <sup>(3)</sup>                       | —                                        | 12.1  | °C/W |
| $R_{\theta JCTop}$   | CC | D | Junction-to-case top <sup>(4)</sup>                    | —                                        | 15.2  | °C/W |
| $R_{\theta JCbottm}$ | CC | D | Junction-to-case bottom <sup>(5)</sup>                 | —                                        | 4.5   | °C/W |
| $\Psi_{JT}$          | CC | D | Junction-to-package top <sup>(6)</sup>                 | Natural convection                       | 3.7   | °C/W |

1. Junction temperature is a function of die size, on-chip power dissipation, package thermal resistance, mounting site (board) temperature, ambient temperature, air flow, power dissipation of other components on the board, and board thermal resistance.
2. Per JEDEC JESD51-6 with the board (JESD51-7) horizontal.
3. Thermal resistance between the die and the printed circuit board per JEDEC JESD51-8. Board temperature is measured on the top surface of the board near the package.
4. Thermal resistance between the die and the case top surface as measured by the cold plate method (MIL SPEC-883 Method 1012.1).
5. Thermal resistance between the die and the exposed pad ground on the bottom of the package based on simulation without any interface resistance.
6. Thermal characterization parameter indicating the temperature difference between package top and the junction temperature per JEDEC JESD51-2.

### 5.5.2 eTQFP100

**Table 70. Thermal characteristics for 100 exposed pad eTQFP package**

| Symbol               | C  | D | Parameter <sup>(1)</sup>                               | Conditions                               | Value | Unit |
|----------------------|----|---|--------------------------------------------------------|------------------------------------------|-------|------|
| $R_{\theta JA}$      | CC | D | Junction-to-Ambient, Natural Convection <sup>(2)</sup> | Four layer board (2s2p)                  | 28.9  | °C/W |
| $R_{\theta JMA}$     | CC | D | Junction-to-Moving-Air, Ambient <sup>(2)</sup>         | At 200 ft./min., four layer board (2s2p) | 22.9  | °C/W |
| $R_{\theta JB}$      | CC | D | Junction-to-board <sup>(3)</sup>                       | —                                        | 14.1  | °C/W |
| $R_{\theta JCTop}$   | CC | D | Junction-to-case top <sup>(4)</sup>                    | —                                        | 14    | °C/W |
| $R_{\theta JCbottm}$ | CC | D | Junction-to-case bottom <sup>(5)</sup>                 | —                                        | 4.4   | °C/W |
| $\Psi_{JT}$          | CC | D | Junction-to-package top <sup>(6)</sup>                 | Natural convection                       | 3.7   | °C/W |

1. Junction temperature is a function of die size, on-chip power dissipation, package thermal resistance, mounting site (board) temperature, ambient temperature, air flow, power dissipation of other components on the board, and board thermal resistance.
2. Per JEDEC JESD51-6 with the board (JESD51-7) horizontal.
3. Thermal resistance between the die and the printed circuit board per JEDEC JESD51-8. Board temperature is measured on the top surface of the board near the package.

4. Thermal resistance between the die and the case top surface as measured by the cold plate method (MIL SPEC-883 Method 1012.1).
5. Thermal resistance between the die and the exposed pad ground on the bottom of the package based on simulation without any interface resistance.
6. Thermal characterization parameter indicating the temperature difference between package top and the junction temperature per JEDEC JESD51-2.

### 5.5.3 eTQFP144

**Table 71. Thermal characteristics for 144 exposed pad eTQFP package**

| Symbol                 | C  | D | Parameter <sup>(1)</sup>                               | Conditions                               | Value | Unit |
|------------------------|----|---|--------------------------------------------------------|------------------------------------------|-------|------|
| R <sub>θJA</sub>       | CC | D | Junction-to-Ambient, Natural Convection <sup>(2)</sup> | Four layer board (2s2p)                  | 28.5  | °C/W |
| R <sub>θJMA</sub>      | CC | D | Junction-to-Moving-Air, Ambient <sup>(2)</sup>         | At 200 ft./min., four layer board (2s2p) | 22.1  | °C/W |
| R <sub>θJB</sub>       | CC | D | Junction-to-board <sup>(3)</sup>                       | —                                        | 14.5  | °C/W |
| R <sub>θJctop</sub>    | CC | D | Junction-to-case top <sup>(4)</sup>                    | —                                        | 13.7  | °C/W |
| R <sub>θJcbottom</sub> | CC | D | Junction-to-case bottom <sup>(5)</sup>                 | —                                        | 4.4   | °C/W |
| Ψ <sub>JT</sub>        | CC | D | Junction-to-package top <sup>(6)</sup>                 | Natural convection                       | 3.7   | °C/W |

1. Junction temperature is a function of die size, on-chip power dissipation, package thermal resistance, mounting site (board) temperature, ambient temperature, air flow, power dissipation of other components on the board, and board thermal resistance.
2. Per JEDEC JESD51-6 with the board (JESD51-7) horizontal.
3. Thermal resistance between the die and the printed circuit board per JEDEC JESD51-8. Board temperature is measured on the top surface of the board near the package.
4. Thermal resistance between the die and the case top surface as measured by the cold plate method (MIL SPEC-883 Method 1012.1).
5. Thermal resistance between the die and the exposed pad ground on the bottom of the package based on simulation without any interface resistance.
6. Thermal characterization parameter indicating the temperature difference between package top and the junction temperature per JEDEC JESD51-2.

### 5.5.4 LQFP176

**Table 72. Thermal characteristics for 176 exposed pad LQFP package**

| Symbol                 | C  | D | Parameter <sup>(1)</sup>                               | Conditions                               | Value | Unit |
|------------------------|----|---|--------------------------------------------------------|------------------------------------------|-------|------|
| R <sub>θJA</sub>       | CC | D | Junction-to-Ambient, Natural Convection <sup>(2)</sup> | Four layer board (2s2p)                  | 28    | °C/W |
| R <sub>θJMA</sub>      | CC | D | Junction-to-Moving-Air, Ambient <sup>(2)</sup>         | at 200 ft./min., four layer board (2s2p) | 21    | °C/W |
| R <sub>θJB</sub>       | CC | D | Junction-to-board <sup>(3)</sup>                       | —                                        | 15.7  | °C/W |
| R <sub>θJctop</sub>    | CC | D | Junction-to-case top <sup>(4)</sup>                    | —                                        | 18.1  | °C/W |
| R <sub>θJcbottom</sub> | CC | D | Junction-to-case bottom <sup>(5)</sup>                 | —                                        | 4.0   | °C/W |
| Ψ <sub>JT</sub>        | CC | D | Junction-to-package top <sup>(6)</sup>                 | Natural convection                       | 3.7   | °C/W |

1. Junction temperature is a function of die size, on-chip power dissipation, package thermal resistance, mounting site (board) temperature, ambient temperature, air flow, power dissipation of other components on the board, and board thermal resistance.
2. Per JEDEC JESD51-6 with the board (JESD51-7) horizontal.

3. Thermal resistance between the die and the printed circuit board per JEDEC JESD51-8. Board temperature is measured on the top surface of the board near the package.
4. Thermal resistance between the die and the case top surface as measured by the cold plate method (MIL SPEC-883 Method 1012.1).
5. Thermal resistance between the die and the exposed pad ground on the bottom of the package based on simulation without any interface resistance.
6. Thermal characterization parameter indicating the temperature difference between package top and the junction temperature per JEDEC JESD51-2.

### 5.5.5 General notes for specifications at maximum junction temperature

An estimation of the chip junction temperature,  $T_J$ , can be obtained from the equation:

#### Equation 1

$$T_J = T_A + (R_{\theta JA} * P_D)$$

where:

$T_A$  = ambient temperature for the package (°C)

$R_{\theta JA}$  = junction-to-ambient thermal resistance (°C/W)

$P_D$  = power dissipation in the package (W)

The thermal resistance values used are based on the JEDEC JESD51 series of standards to provide consistent values for estimations and comparisons. The differences between the values determined for the single-layer (1s) board compared to a four-layer board that has two signal layers, a power and a ground plane (2s2p), demonstrate that the effective thermal resistance is not a constant. The thermal resistance depends on the:

- Construction of the application board (number of planes)
- Effective size of the board which cools the component
- Quality of the thermal and electrical connections to the planes
- Power dissipated by adjacent components

Connect all the ground and power balls to the respective planes with one via per ball. Using fewer vias to connect the package to the planes reduces the thermal performance. Thinner planes also reduce the thermal performance. When the clearance between the vias leaves the planes virtually disconnected, the thermal performance is also greatly reduced.

As a general rule, the value obtained on a single-layer board is within the normal range for the tightly packed printed circuit board. The value obtained on a board with the internal planes is usually within the normal range if the application board has:

- One oz. (35 micron nominal thickness) internal planes
- Components are well separated
- Overall power dissipation on the board is less than 0.02 W/cm<sup>2</sup>

The thermal performance of any component depends on the power dissipation of the surrounding components. In addition, the ambient temperature varies widely within the application. For many natural convection and especially closed box applications, the board temperature at the perimeter (edge) of the package is approximately the same as the local air temperature near the device. Specifying the local ambient conditions explicitly as the board temperature provides a more precise description of the local ambient conditions that determine the temperature of the device.

At a known board temperature, the junction temperature is estimated using the following equation:

**Equation 2**

$$T_J = T_B + (R_{\theta JB} * P_D)$$

where:

$T_B$  = board temperature for the package perimeter (°C)

$R_{\theta JB}$  = junction-to-board thermal resistance (°C/W) per JESD51-8

$P_D$  = power dissipation in the package (W)

When the heat loss from the package case to the air does not factor into the calculation, the junction temperature is predictable if the application board is similar to the thermal test condition, with the component soldered to a board with internal planes.

The thermal resistance is expressed as the sum of a junction-to-case thermal resistance plus a case-to-ambient thermal resistance:

**Equation 3**

$$R_{\theta JA} = R_{\theta JC} + R_{\theta CA}$$

where:

$R_{\theta JA}$  = junction-to-ambient thermal resistance (°C/W)

$R_{\theta JC}$  = junction-to-case thermal resistance (°C/W)

$R_{\theta CA}$  = case to ambient thermal resistance (°C/W)

$R_{\theta JC}$  is device related and is not affected by other factors. The thermal environment can be controlled to change the case-to-ambient thermal resistance,  $R_{\theta CA}$ . For example, change the air flow around the device, add a heat sink, change the mounting arrangement on the printed circuit board, or change the thermal dissipation on the printed circuit board surrounding the device. This description is most useful for packages with heat sinks where 90% of the heat flow is through the case to heat sink to ambient. For most packages, a better model is required.

A more accurate two-resistor thermal model can be constructed from the junction-to-board thermal resistance and the junction-to-case thermal resistance. The junction-to-case thermal resistance describes when using a heat sink or where a substantial amount of heat is dissipated from the top of the package. The junction-to-board thermal resistance describes the thermal performance when most of the heat is conducted to the printed circuit board. This model can be used to generate simple estimations and for computational fluid dynamics (CFD) thermal models. More accurate compact Flotherm models can be generated upon request.

To determine the junction temperature of the device in the application on a prototype board, use the thermal characterization parameter ( $\Psi_{JT}$ ) to determine the junction temperature by measuring the temperature at the top center of the package case using the following equation:

**Equation 4**

$$T_J = T_T + (\Psi_{JT} * P_D)$$

where:

$T_T$  = thermocouple temperature on top of the package (°C)

$\Psi_{JT}$  = thermal characterization parameter (°C/W)

$P_D$  = power dissipation in the package (W)

The thermal characterization parameter is measured in compliance with the JESD51-2 specification using a 40-gauge type T thermocouple epoxied to the top center of the package case. Position the thermocouple so that the thermocouple junction rests on the package. Place a small amount of epoxy on the thermocouple junction and approximately 1 mm of wire extending from the junction. Place the thermocouple wire flat against the package case to avoid measurement errors caused by the cooling effects of the thermocouple wire.

When board temperature is perfectly defined below the device, it is possible to use the thermal characterization parameter ( $\Psi_{JPB}$ ) to determine the junction temperature by measuring the temperature at the bottom center of the package case (exposed pad) using the following equation:

**Equation 5**

$$T_J = T_B + (\Psi_{JPB} \times P_D)$$

where:

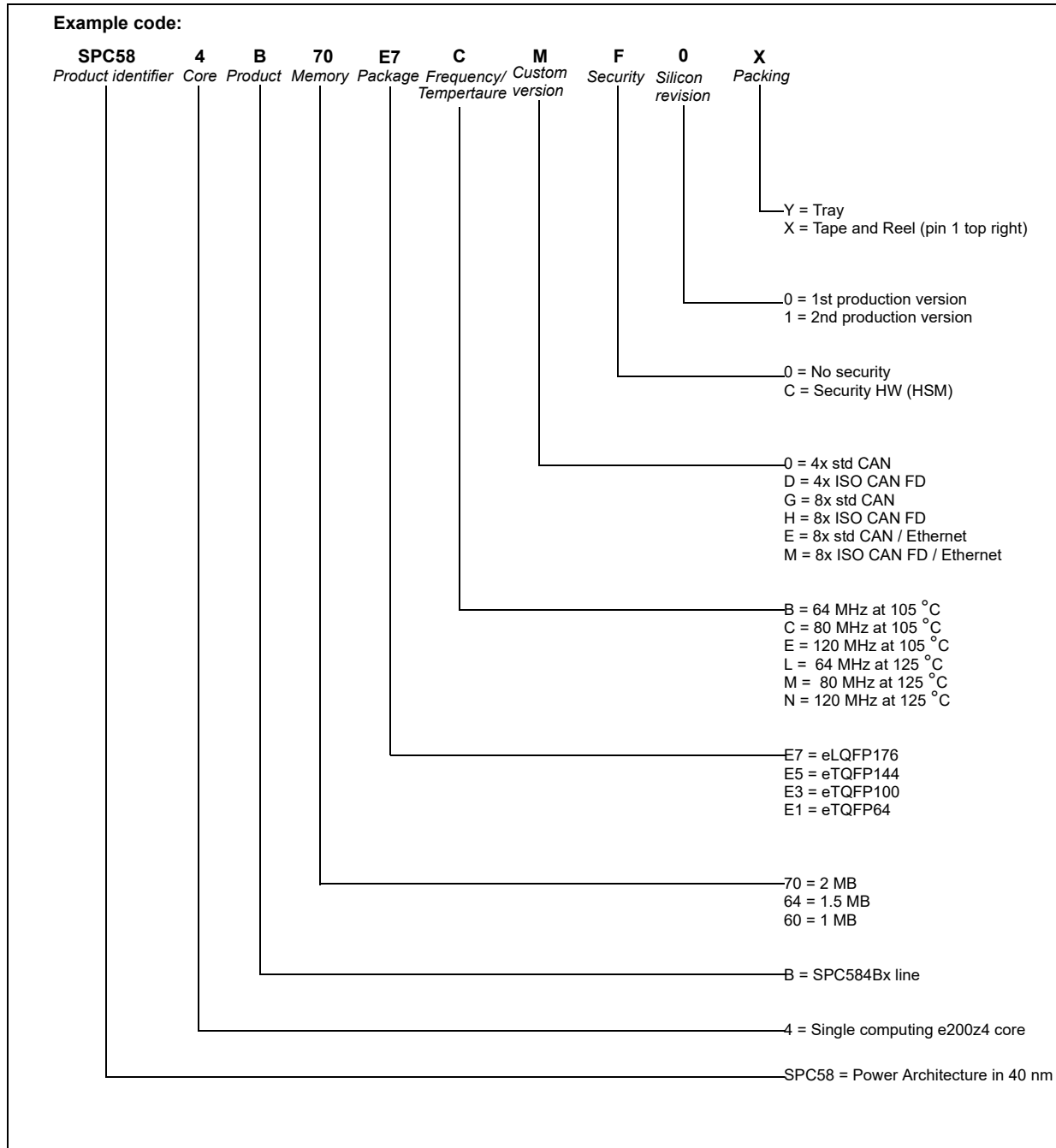
$T_T$  = thermocouple temperature on bottom of the package (°C)

$\Psi_{JT}$  = thermal characterization parameter (°C/W)

$P_D$  = power dissipation in the package (W)

# 6 Ordering information

Figure 59. Ordering information scheme



**Note:** Contact your ST sales office to ask for the availability of a particular commercial product. Features (for instance, flash, RAM or peripherals) not included in the commercial product cannot be used. ST cannot be called to take any liability for features used outside the commercial product.



Table 73. Code Flash options

| SPC584B70<br>(2M) | SPC584B64<br>(1.5M) | SPC584B60<br>(1M) | Partition | Start address | End address |
|-------------------|---------------------|-------------------|-----------|---------------|-------------|
| 16                | 16                  | 16                | 0         | 0x00FC0000    | 0x00FC3FFF  |
| 16                | 16                  | 16                | 0         | 0x00FC4000    | 0x00FC7FFF  |
| 32                | 32                  | 32                | 0         | 0x00FC8000    | 0x00FCFFFF  |
| 32                | 32                  | 32                | 0         | 0x00FD0000    | 0x00FD7FFF  |
| 32                | 32                  | 32                | 0         | 0x00FD8000    | 0x00FDFFFF  |
| 128               | 128                 | 128               | 0         | 0x00FE0000    | 0x00FFFFFF  |
| 256               | 256                 | 256               | 0         | 0x01000000    | 0x0103FFFF  |
| 256               | 256                 | 256               | 0         | 0x01040000    | 0x0107FFFF  |
| 256               | 256                 | 256               | 0         | 0x01080000    | 0x010BFFFF  |
| 256               | 256                 | NA                | 0         | 0x010C0000    | 0x010FFFFFF |
| 256               | 256                 | NA                | 0         | 0x01100000    | 0x0113FFFF  |
| 256               | NA                  | NA                | 0         | 0x01140000    | 0x0117FFFF  |
| 256               | NA                  | NA                | 0         | 0x01180000    | 0x011BFFFF  |

Table 74. RAM options

| SPC584B70          | SPC584B64          | SPC584B60          | Type              | Start address | End address |
|--------------------|--------------------|--------------------|-------------------|---------------|-------------|
| 192 <sup>(1)</sup> | 160 <sup>(1)</sup> | 128 <sup>(1)</sup> |                   |               |             |
| 8                  | 8                  | 8                  | PRAMC_2<br>(STBY) | 0x400A8000    | 0x400A9FFF  |
| 24                 | 24                 | 24                 | PRAMC_2<br>(STBY) | 0x400AA000    | 0x400AFFFF  |
| 32                 | 32                 | 32                 | PRAMC_2<br>(STBY) | 0x400B0000    | 0x400B7FFF  |
| 32                 | 32                 | NA                 | PRAMC_2<br>(STBY) | 0x400B8000    | 0x400BFFFF  |
| 32                 | NA                 | NA                 | PRAMC_2<br>(STBY) | 0x400C0000    | 0x400C7FFF  |
| 64                 | 64                 | 64                 | D-MEM<br>CPU_2    | 0x52800000    | 0x5280FFFF  |

1. RAM size is the sum of TCM and SRAM

## 7 Revision history

**Table 75. Document revision history**

| Date        | Revision | Changes                                                                                                                                                                                                                                                                                                                                                                                                                                                                                                                                                                                                                                                                                                                                                                                                                                                                                                                                                                                                                                                                                                                                                                                                                                                                                                                                                                                                                                                                                                                                                                                                                                                                                                                                                                                                                                                                                                                                                                                                                                                                                                                                                                                                                                                                                                                                  |
|-------------|----------|------------------------------------------------------------------------------------------------------------------------------------------------------------------------------------------------------------------------------------------------------------------------------------------------------------------------------------------------------------------------------------------------------------------------------------------------------------------------------------------------------------------------------------------------------------------------------------------------------------------------------------------------------------------------------------------------------------------------------------------------------------------------------------------------------------------------------------------------------------------------------------------------------------------------------------------------------------------------------------------------------------------------------------------------------------------------------------------------------------------------------------------------------------------------------------------------------------------------------------------------------------------------------------------------------------------------------------------------------------------------------------------------------------------------------------------------------------------------------------------------------------------------------------------------------------------------------------------------------------------------------------------------------------------------------------------------------------------------------------------------------------------------------------------------------------------------------------------------------------------------------------------------------------------------------------------------------------------------------------------------------------------------------------------------------------------------------------------------------------------------------------------------------------------------------------------------------------------------------------------------------------------------------------------------------------------------------------------|
| 06-Oct-2016 | 1        | Initial version.                                                                                                                                                                                                                                                                                                                                                                                                                                                                                                                                                                                                                                                                                                                                                                                                                                                                                                                                                                                                                                                                                                                                                                                                                                                                                                                                                                                                                                                                                                                                                                                                                                                                                                                                                                                                                                                                                                                                                                                                                                                                                                                                                                                                                                                                                                                         |
| 13-Dec-2016 | 2        | <p>Changed Microsoft Excel<sup>®</sup> workbook attached to this document (was SPC584Bx_IO_Definition_v1.xlsx dated July 26, 2016).<br/>For details, refer to the sheet Revision History of the attached file "SPC584Bx_IO_Definition_v2.xlsx".</p> <p><i>Section 3.2: Absolute maximum ratings:</i><br/><i>Table 4: Absolute maximum ratings:</i> For parameter "I<sub>INJ</sub>", text "DC" removed from description.</p> <p><i>Section 3.3: Operating conditions:</i><br/><i>Table 5: Operating conditions:</i></p> <ul style="list-style-type: none"> <li>– Footnote "1.260 V - 1.290 V range .. temperature profile" updated to Text "... average supply value below or equal to 1.236 V ..."</li> <li>– In parameter "I<sub>INJ1</sub>" description, text "DC" removed.</li> </ul> <p><i>Section 3.7: Device consumption:</i><br/><i>Table 8: Device consumption:</i></p> <ul style="list-style-type: none"> <li>– For parameter "I<sub>DDSSWU1</sub>", typical value updated from "TBD" to "1 mA"</li> <li>– For parameter "I<sub>DDSSWU1</sub>", description updated to "SSWU running over...ADC off"</li> <li>– For parameter "I<sub>DDSSWU2</sub>", typical value updated from "TBD" to "3.5 mA"</li> <li>– For parameter "I<sub>DDSSWU2</sub>", description updated to "SSWU running over...ADC on"</li> <li>– For parameter "I<sub>DDSTOP</sub>", typical value updated from "TBD" to "18" for T<sub>J</sub>=25 °C</li> <li>– For parameter "I<sub>DDSTDBY8</sub>", typical value updated from "TBD" to "85" for T<sub>J</sub>=25 °C</li> <li>– For parameter "I<sub>DDSTDBY32</sub>", typical value updated from "TBD" to "100" for T<sub>J</sub>=25 °C</li> <li>– For parameter "I<sub>DDSTDBY128</sub>", typical value updated from "TBD" to "160" for T<sub>J</sub>=25 °C</li> </ul> <p><i>Section 3.8: I/O pad specification:</i><br/><i>Section 3.8.2: I/O output DC characteristics:</i></p> <ul style="list-style-type: none"> <li>– Updated "WEAK" to "WEAK/SLOW"</li> <li>– Updated "STRONG" to "STRONG/FAST"</li> <li>– Updated "VERY STRONG" to "VERY STRONG / VERY FAST"</li> </ul> <p><i>Table 9: I/O pad specification descriptions:</i></p> <ul style="list-style-type: none"> <li>– Added "Standby Pads"</li> </ul> <p>Added footnote "Logic level is configurable in running mode while it is CMOS..."</p> |

Table 75. Document revision history (continued)

| Date        | Revision      | Changes                                                                                                                                                                                                                                                                                                                                                                                                                                                                                                                                                                                                                                                                                                                                                                                                                                                                                                                                                                                                                                                                                                                                                                                                                                                                                                                                                                                                                                                                                                                                                                                                                                                                                                                                                                                                                                                                                                                                                                                                                                                                                                                                                                                                                                                                                                                                                                                                                                                                                                                                                                                                                                                                                                                                                                                                                                                                                                                                                                                                                                                                                                                                                                    |
|-------------|---------------|----------------------------------------------------------------------------------------------------------------------------------------------------------------------------------------------------------------------------------------------------------------------------------------------------------------------------------------------------------------------------------------------------------------------------------------------------------------------------------------------------------------------------------------------------------------------------------------------------------------------------------------------------------------------------------------------------------------------------------------------------------------------------------------------------------------------------------------------------------------------------------------------------------------------------------------------------------------------------------------------------------------------------------------------------------------------------------------------------------------------------------------------------------------------------------------------------------------------------------------------------------------------------------------------------------------------------------------------------------------------------------------------------------------------------------------------------------------------------------------------------------------------------------------------------------------------------------------------------------------------------------------------------------------------------------------------------------------------------------------------------------------------------------------------------------------------------------------------------------------------------------------------------------------------------------------------------------------------------------------------------------------------------------------------------------------------------------------------------------------------------------------------------------------------------------------------------------------------------------------------------------------------------------------------------------------------------------------------------------------------------------------------------------------------------------------------------------------------------------------------------------------------------------------------------------------------------------------------------------------------------------------------------------------------------------------------------------------------------------------------------------------------------------------------------------------------------------------------------------------------------------------------------------------------------------------------------------------------------------------------------------------------------------------------------------------------------------------------------------------------------------------------------------------------------|
| 13-Dec-2016 | 2<br>(cont'd) | <p><i>Table 12: WEAK/SLOW I/O output characteristics:</i> Added “10%-90% in description of parameter “<math>t_{TR\_W}</math>”.</p> <p><i>Table 13: MEDIUM I/O output characteristics:</i> Added “10%-90% in description of parameter “<math>t_{TR\_M}</math>”.</p> <p><i>Table 14: STRONG/FAST I/O output characteristics:</i> Added “10%-90% in description of parameter “<math>t_{TR\_S}</math>”.</p> <p><i>Table 10: I/O input electrical characteristics:</i> Parameter “<math>I_{LKG}</math>” (Medium Pads (P), <math>T_J=150^\circ\text{C}/360\text{ mA}</math>) removed.</p> <p><i>Table 11: I/O pull-up/pull-down electrical characteristics:</i> Added note “When the device enters into standby mode... an ADC function.”</p> <p><i>Section 3.11: Oscillators:</i><br/>Removed figure “Test circuit”</p> <p><i>Table 21: External 40 MHz oscillator electrical specifications:</i></p> <ul style="list-style-type: none"> <li>– Footnote “<math>I_{xatl}</math> is the oscillator...Test circuit is shown in Figure 8” modified to “<math>I_{xatl}</math> is the oscillator...startup of the oscillator”.</li> <li>– Minimum value of parameter “<math>V_{IHEXT}</math>” updated from “<math>V_{REF}+0.6</math>” to “<math>V_{REF}+0.75</math>”</li> <li>– Maximum value of parameter “<math>V_{ILEXT}</math>” updated from “<math>V_{REF}-0.6</math>” to “<math>V_{REF}-0.75</math>”</li> <li>– Parameter “<math>g_m</math>”, value “D” updated to “P” for “<math>f_{XTAL} \leq 8\text{ MHz}</math>”, and “D” for others.</li> <li>– Footnote “This parameter is...100% tested” updated to “Applies to an...to crystal mode”. Also added to parameter “<math>V_{ILEXT}</math>”.</li> <li>– For parameters “<math>V_{IHEXT}</math>” and “<math>V_{ILEXT}</math>”, Condition “–” updated to “<math>V_{REF} = 0.29 * V_{DD\_HV\_OSC}</math>”</li> </ul> <p><i>Table 23: 1024 kHz internal RC oscillator electrical characteristics:</i> For parameter “<math>\delta f_{var\_V}</math>”, minimum and maximum value updated from “-0.05” and “+0.05” to “-5” and “+5”.</p> <p><i>Section 3.12: ADC system:</i><br/><i>Table 26: ADC-Comparator electrical specification:</i> For parameter <math>t_{ADCSAMPLE}</math> Standard channel, minimum value updated to “<math>6/f_{ADCK}</math>”</p> <p><i>Section 3.14: LFAST pad electrical characteristics:</i><br/><i>Table 29: LFAST transmitter electrical characteristics,,:</i> Footnote “The transition time is measured from...” removed.</p> <p><i>Section 3.15: Power management:</i><br/><i>Table 31: Power management regulators:</i> Added option for “Internal linear regulator internal ballast” and added footnote “For compatibility purpose...local sales”.</p> <p><i>Table 33: Linear regulator specifications:</i> Updated description of <math>IDD_{MREG}</math>.</p> <p><i>Table 35: Voltage monitor electrical characteristics:</i> Added Parameter <math>V_{UVD140\_F}</math>.</p> <p>Added <i>Figure 13: Internal regulator with external ballast mode</i>, <i>Figure 15: Standby regulator with external ballast mode</i>, <i>Figure 14: Internal regulator with internal ballast mode</i></p> |

Table 75. Document revision history (continued)

| Date        | Revision      | Changes                                                                                                                                                                                                                                                                                                                                                                                                                                                                                                                                                                                                                                                                                                                                                                                                                                                                                                                                                                                                                                                                                                                                                                                                                                                                                                                                             |
|-------------|---------------|-----------------------------------------------------------------------------------------------------------------------------------------------------------------------------------------------------------------------------------------------------------------------------------------------------------------------------------------------------------------------------------------------------------------------------------------------------------------------------------------------------------------------------------------------------------------------------------------------------------------------------------------------------------------------------------------------------------------------------------------------------------------------------------------------------------------------------------------------------------------------------------------------------------------------------------------------------------------------------------------------------------------------------------------------------------------------------------------------------------------------------------------------------------------------------------------------------------------------------------------------------------------------------------------------------------------------------------------------------|
| 13-Dec-2016 | 2<br>(cont'd) | <p><i>Section 3.17: AC Specifications:</i><br/>Updated <i>Figure 28: DSPI CMOS master mode — classic timing, CPHA = 1</i></p> <p><i>Section 4: Package information:</i><br/>Updated <i>Figure 43: eTQFP64 package outline</i><br/>Updated <i>Table 61: eTQFP64 package mechanical data</i><br/>Updated <i>Table 62: eTQFP100 package mechanical data</i><br/>Updated <i>Table 64: eLQFP176 package mechanical data</i></p> <p><i>Section 6: Ordering information:</i><br/>Updated <i>Figure 59: Ordering information scheme</i></p>                                                                                                                                                                                                                                                                                                                                                                                                                                                                                                                                                                                                                                                                                                                                                                                                                 |
| 16-Mar-2018 | 3             | <p><i>Section : Features</i><br/>Changed core name to e200z420 (was e200z4d)<br/>Added first bullet "AEC-Q100 qualified"<br/>Changed document classification "Target Specification" by "Production Data"<br/>Removed ST Restricted watermark on all document</p> <p><i>Section 1: Introduction</i><br/><i>Section 2: Description:</i> Updated latest sentence with "one processor core" (was two)<br/><i>Table 2: Features list:</i><br/>Updated MPU description<br/>Added "Semaphores"<br/>Updated "System SRAM"<br/>Updated "DMA channels values"<br/>Removed "Interrupt controller"<br/><i>Figure 2: Periphery allocation:</i><br/>Removed SEMA42 block</p> <p><i>Section 2.3: Features overview:</i><br/>Updated:<br/>– 64 KB local data RAM for Core_2<br/>– 8 KB I-Cache and 4 KB D-Cache for Core_2<br/>– 128 KB on-chip general-purpose SRAM (+ 64 KB local data RAM: 64 KB included in the CPU)<br/>– Multi channel direct memory access controllers</p> <p><i>Section 3: Package pinouts and signal descriptions:</i><br/>Changed introduction sentence since the pin out excel file will no longer be attached to the datasheet</p> <p><i>Section 3: Electrical characteristics</i><br/><i>Section 4.1: Introduction:</i><br/>Removed text "The IPs and...for the details"<br/>Removed the two notes applicable for preliminary data</p> |

Table 75. Document revision history (continued)

| Date        | Revision      | Changes                                                                                                                                                                                                                                                                                                                                                                                                                                                                                                                                                                                                                                                                                                                                                                                                                                                                                                                                                                                                                                                                                                                                                                                                                                                                                                                                                                                                                                                                                                                                                                                                                                                                                                                                                                                                                                                                                                                                                                                                                                                                                                                                                                                                                                                                                                                                                                                                                                                                                                                                                                                                                                                                                                                                                                                                |
|-------------|---------------|--------------------------------------------------------------------------------------------------------------------------------------------------------------------------------------------------------------------------------------------------------------------------------------------------------------------------------------------------------------------------------------------------------------------------------------------------------------------------------------------------------------------------------------------------------------------------------------------------------------------------------------------------------------------------------------------------------------------------------------------------------------------------------------------------------------------------------------------------------------------------------------------------------------------------------------------------------------------------------------------------------------------------------------------------------------------------------------------------------------------------------------------------------------------------------------------------------------------------------------------------------------------------------------------------------------------------------------------------------------------------------------------------------------------------------------------------------------------------------------------------------------------------------------------------------------------------------------------------------------------------------------------------------------------------------------------------------------------------------------------------------------------------------------------------------------------------------------------------------------------------------------------------------------------------------------------------------------------------------------------------------------------------------------------------------------------------------------------------------------------------------------------------------------------------------------------------------------------------------------------------------------------------------------------------------------------------------------------------------------------------------------------------------------------------------------------------------------------------------------------------------------------------------------------------------------------------------------------------------------------------------------------------------------------------------------------------------------------------------------------------------------------------------------------------------|
| 16-Mar-2018 | 3<br>(cont'd) | <p><i>Table 3: Parameter classifications:</i><br/>Updated the description of classification tag "T"</p> <p><i>Section 4.2: Absolute maximum ratings:</i><br/>Added text "Exposure to absolute ... reliability"<br/>Added text "even momentarily"</p> <p><i>Table 4: Absolute maximum ratings:</i><br/>Updated values in conditions column<br/>Added parameter <math>T_{TRIN}</math><br/>For parameter "<math>T_{STG}</math>", maximum value updated from "175" to "125"<br/>Added new parameter "<math>T_{PAS}</math>"<br/>For parameter "<math>I_{INJ}</math>", description updated from "maximum...PAD" to "maximum DC...pad"<br/>Changed <math>V_{DD\_HV\_IO\_FLEX}</math> to <math>V_{DD\_HV\_IO\_ETH}</math></p> <p><i>Section 4.3: Operating conditions</i><br/><i>Table 5: Operating conditions:</i><br/>For parameter "<math>V_{DD\_LV}</math>", changed the classification from "D" to "P"<br/>Removed note "Core voltage as ...."<br/>Added parameter <math>I_{INJ2}</math><br/>Removed parameter "<math>V_{RAMP\_LV}</math>"<br/>Changed parameter <math>V_{DD\_HV\_IO\_FLEX}</math> to <math>V_{DD\_HV\_IO\_ETH}</math><br/>Updated the table footnote "Positive and negative Dynamic current..."</p> <p><i>Table 6: Device supply relation during power-up/power-down sequence:</i><br/>Parameter "<math>V_{DD\_LV}</math>" removed<br/>Changed parameter <math>V_{DD\_HV\_IO\_FLEX}</math> to <math>V_{DD\_HV\_IO\_ETH}</math></p> <p><i>Section 3.3.1: Power domains and power up/down sequencing:</i><br/>Replaced reference to IO_definition excel file by "the device pin out IO definition excel file"</p> <p><i>Section 4.7: Device consumption</i><br/><i>Table 8: Device consumption:</i><br/>Updated parameter "<math>I_{DDHALT}</math>"<br/>Updated parameter "<math>I_{DDSTOP}</math>"<br/>Added note to parameters <math>I_{DDHALT}</math> and <math>I_{DDSTOP}</math><br/>Updated "<math>I_{DD\_LKG}</math>": Classification "P" changed to "C" for all devices when <math>T_J = 40\text{ }^{\circ}\text{C}</math>, added footnote "<math>I_{DD\_LKG}</math> and <math>I_{DD\_LV}</math> are reported as..."<br/>Updated "<math>I_{DD\_LV}</math>": added footnote "<math>I_{DD\_LKG}</math> and <math>I_{DD\_LV}</math> are reported as..."<br/>Updated values of <math>I_{DD\_LKG}</math>, <math>I_{DDHALT}</math>, <math>I_{DDSTOP}</math>, <math>I_{DDSTBY8}</math>, <math>I_{DDSTBY32}</math>, <math>I_{DDSTBY128}</math>, <math>I_{DDSSWU1}</math> and <math>I_{DDSSWU2}</math><br/>Updated "<math>I_{DD\_HV}</math>": changed Max value "45" to "55"<br/>Updated Max values of <math>I_{DDSTBY8}</math>, <math>I_{DDSTBY32}</math>, <math>I_{DDSTBY128}</math><br/>Updated table footnotes 4, 5, 6 and 8<br/>Changed "mA" by "μA" for <math>I_{DDSTBY128}</math></p> |

Table 75. Document revision history (continued)

| Date        | Revision      | Changes                                                                                                                                                                                                                                                                                                                                                                                                                                                                                                                                                                                                                                                                                                                                                                                                                                                                                                                                                                                                                                                                                                                                                                                                                                                                                                                                                                                                                                                                                                                                                                                                                                                                                                                                                                                                                                                                                                                                                                                                                                                                                                                                                                                                                                                                                                                                                                                                                                                                            |
|-------------|---------------|------------------------------------------------------------------------------------------------------------------------------------------------------------------------------------------------------------------------------------------------------------------------------------------------------------------------------------------------------------------------------------------------------------------------------------------------------------------------------------------------------------------------------------------------------------------------------------------------------------------------------------------------------------------------------------------------------------------------------------------------------------------------------------------------------------------------------------------------------------------------------------------------------------------------------------------------------------------------------------------------------------------------------------------------------------------------------------------------------------------------------------------------------------------------------------------------------------------------------------------------------------------------------------------------------------------------------------------------------------------------------------------------------------------------------------------------------------------------------------------------------------------------------------------------------------------------------------------------------------------------------------------------------------------------------------------------------------------------------------------------------------------------------------------------------------------------------------------------------------------------------------------------------------------------------------------------------------------------------------------------------------------------------------------------------------------------------------------------------------------------------------------------------------------------------------------------------------------------------------------------------------------------------------------------------------------------------------------------------------------------------------------------------------------------------------------------------------------------------------|
| 16-Mar-2018 | 3<br>(cont'd) | <p><i>Section 4.8: I/O pad specification</i><br/> Removed note "The external ballast..."<br/> Reformatted note from introduction<br/> Replaced all occurrences of "50 pF load" with "CL=50pF"<br/> Replaced all references to the IO_definitions excel file by "the device pinout IO definition excel file"<br/> <i>Section 4.8.2: I/O output DC characteristics:</i> Added note "10%/90% is the...."<br/> <i>Table 9: I/O pad specification descriptions:</i><br/> Description of "Standby pads" updated from "Some pads are active...weak-pull currents" to "These pads are active...CMOS threshold"<br/> Removed FlexRay at Very strong configuration description<br/> Changed "the CMOS threshold" by "(VDD_HV_IO_MAIN / 2) +/-20%" at Standby pads type<br/> <i>Table 12: WEAK/SLOW I/O output characteristics:</i><br/> For parameter "F<sub>max_W</sub>", updated condition "25 pF load" to "CL=25pF"<br/> For parameter "t<sub>SKEW_WI</sub>", changed max value from "30" to "25"<br/> <i>Table 14: STRONG/FAST I/O output characteristics:</i><br/> Parameter "I<sub>DCMAX_S</sub>" updated:<br/> – Condition added "V<sub>DD</sub>=5V+10%"<br/> – Condition added "V<sub>DD</sub>=3.3V+10%"<br/> – Max value updated to 5.5mA<br/> Updated values for t<sub>TR_S</sub> for condition CL = 25 pF and CL = 50 pF<br/> <i>Table 15: VERY STRONG/VERY FAST I/O output characteristics:</i><br/> "t<sub>TR20-80</sub>" replaced by "t<sub>TR20-8_V</sub>"<br/> "t<sub>TRTTL</sub>" replaced by "t<sub>TRTTL_V</sub>"<br/> "Σt<sub>TR20-80</sub>" replaced by "Σt<sub>TR20-80_V</sub>"<br/> Removed FlexRay Standard in bracket at t<sub>TR20-80_V</sub> parameter<br/> <i>Table 16: I/O consumption:</i><br/> Updated all the max values of parameters I<sub>DYN_W</sub> and I<sub>DYN_M</sub></p> <p><i>Section 3.9: Reset pad (PORST) electrical characteristics:</i><br/> <i>Table 17: Reset PAD electrical characteristics:</i><br/> Replaced reference to IO_definition excel file by "Refer to the device pin out IO definition excel file"<br/> <i>Table 18: Reset Pad state during power-up and reset:</i> added this table</p> <p><i>Section 3.10: PLLs</i><br/> <i>Table 19: PLL0 electrical characteristics:</i><br/> For parameter "I<sub>PLL0</sub>", classification changed from "C" to "T"<br/> Footnote "Jitter values...measurement" added for parameters:<br/> –  Δ<sub>PLL0PHI0SPJ</sub> <br/> –  Δ<sub>PLL0PHI1SPJ</sub> <br/> – Δ<sub>PLL0LTJ</sub></p> |

**Table 75. Document revision history (continued)**

| Date        | Revision      | Changes                                                                                                                                                                                                                                                                                                                                                                                                                                                                                                                                                                                                                                                                                                                                                                                                                                                                                                                                                                                                                                                                                                                                                                                                                                                                                                                                                                                                                                                                                                                                                                                                                                                                                                                                                                                                                                                                                                                                                                                                                                                                                                                                                                                                                                                                                                                                                                                                                                                                                                                                                                                                                                                                                                                                                                                                                                                                                                                                                                                                                                                                                                                                                                                                                                                          |
|-------------|---------------|------------------------------------------------------------------------------------------------------------------------------------------------------------------------------------------------------------------------------------------------------------------------------------------------------------------------------------------------------------------------------------------------------------------------------------------------------------------------------------------------------------------------------------------------------------------------------------------------------------------------------------------------------------------------------------------------------------------------------------------------------------------------------------------------------------------------------------------------------------------------------------------------------------------------------------------------------------------------------------------------------------------------------------------------------------------------------------------------------------------------------------------------------------------------------------------------------------------------------------------------------------------------------------------------------------------------------------------------------------------------------------------------------------------------------------------------------------------------------------------------------------------------------------------------------------------------------------------------------------------------------------------------------------------------------------------------------------------------------------------------------------------------------------------------------------------------------------------------------------------------------------------------------------------------------------------------------------------------------------------------------------------------------------------------------------------------------------------------------------------------------------------------------------------------------------------------------------------------------------------------------------------------------------------------------------------------------------------------------------------------------------------------------------------------------------------------------------------------------------------------------------------------------------------------------------------------------------------------------------------------------------------------------------------------------------------------------------------------------------------------------------------------------------------------------------------------------------------------------------------------------------------------------------------------------------------------------------------------------------------------------------------------------------------------------------------------------------------------------------------------------------------------------------------------------------------------------------------------------------------------------------------|
| 16-Mar-2018 | 3<br>(cont'd) | <p>Updated footnote “Jitter values...contribution of pad used as CLKOUT for measurement” to “Jitter values...contribution of the divider and the path of the output CLKOUT pin” for parameters:</p> <ul style="list-style-type: none"> <li>– <math> \Delta_{PLL0PHI0SPJ} </math></li> <li>– <math> \Delta_{PLL0PHI1SPJ} </math></li> <li>– <math>\Delta_{PLL0LTJ}</math></li> </ul> <p>Added “<math>f_{INFIN}</math>” for all devices<br/>           Symbol “<math>f_{INFIN}</math>”: changed “C” by “—” in column “C”<br/>           Updated <math> \Delta_{PLL0PHI0SPJ} </math>: changed “T” by “D” and added pk-pk to Conditions value<br/>           Updated <math> \Delta_{PLL0PHI1SPJ} </math>: added pk-pk to Conditions value<br/> <a href="#">Table 20: PLL1 electrical characteristics:</a><br/>           For parameter “<math>I_{PLL1}</math>”, classification changed from “C” to “T”.<br/>           Footnote “Jitter values...measurement” added for parameter “<math> \Delta_{PLL1PHI0SPJ} </math>”<br/>           Updated footnote “Jitter values...contribution of pad used as CLKOUT for measurement” to “Jitter values...contribution of the divider and the path of the output CLKOUT pin” for parameter “<math> \Delta_{PLL1PHI0SPJ} </math>”<br/>           Added “<math>f_{INFIN}</math>”<br/>           Symbol “<math>f_{INFIN}</math>”: changed “C” by “—” in column “C”</p> <p><a href="#">Section 4.11: Oscillators</a><br/>           Renamed the section “RC oscillator 1024 kHz” to <a href="#">Section 4.11.4: Low power RC oscillator</a><br/> <a href="#">Table 21: External 40 MHz oscillator electrical specifications:</a><br/>           Classification for parameters “<math>C_{S\_EXTAL}</math>” and “<math>C_{S\_XTAL}</math>” changed from “T” to “D”<br/>           Min and Max value of parameters <math>C_{S\_EXTAL}</math> and <math>C_{S\_XTAL}</math> updated to “3” (min) and “7” (max)<br/>           Updated classification, conditions, min and max values for parameter “gm”<br/>           Changed table footnote 3 by: This value is determined by the crystal manufacturer and board design, and it can potentially be higher than the maximum provided<br/>           Updated table footnote 1<br/> <a href="#">Table 22: 32 kHz External Slow Oscillator electrical specifications:</a> Added this table<br/> <a href="#">Table 23: Internal RC oscillator electrical specifications:</a><br/>           For parameter “<math>I_{FIRC}</math>”, replaced max value of 300 with 600<br/>           Added footnote to the description<br/>           Min, Typ and Max value of “<math>\delta f_{var\_SW}</math>” updated from “-1”, “-”, “1” to “-0.5”, “<math>\pm 0.3</math>” and “0.5” respectively<br/> <a href="#">Table 24: 1024 kHz internal RC oscillator electrical characteristics</a><br/>           For parameter “<math>\delta f_{var\_T}</math>”, and “<math>\delta f_{var\_V}</math>”: changed the classification to “P”.</p> <p><a href="#">Section 4.12: ADC system:</a><br/> <a href="#">Table 25: ADC pin specification</a><br/>           For <math>I_{LKG}</math>, changed condition “C” to “—”.<br/>           For parameter <math>C_{P2}</math>, updated the max value to “1”.</p> |

Table 75. Document revision history (continued)

| Date        | Revision      | Changes                                                                                                                                                                                                                                                                                                                                                                                                                                                                                                                                                                                                                                                                                                                                                                                                                                                                                                                                                                                                                                                                                                                                                                                                                                                                                                                                                                                                                                                                                                                                                                                                                                                                                                                                                                                                                                                                                                                                                                                                                                                                                                                                                                                                                                                                                                                                                                                                                                                                                                                                                                                                                                                                                                                                                                                                                                                                                                                                                                                                                                 |
|-------------|---------------|-----------------------------------------------------------------------------------------------------------------------------------------------------------------------------------------------------------------------------------------------------------------------------------------------------------------------------------------------------------------------------------------------------------------------------------------------------------------------------------------------------------------------------------------------------------------------------------------------------------------------------------------------------------------------------------------------------------------------------------------------------------------------------------------------------------------------------------------------------------------------------------------------------------------------------------------------------------------------------------------------------------------------------------------------------------------------------------------------------------------------------------------------------------------------------------------------------------------------------------------------------------------------------------------------------------------------------------------------------------------------------------------------------------------------------------------------------------------------------------------------------------------------------------------------------------------------------------------------------------------------------------------------------------------------------------------------------------------------------------------------------------------------------------------------------------------------------------------------------------------------------------------------------------------------------------------------------------------------------------------------------------------------------------------------------------------------------------------------------------------------------------------------------------------------------------------------------------------------------------------------------------------------------------------------------------------------------------------------------------------------------------------------------------------------------------------------------------------------------------------------------------------------------------------------------------------------------------------------------------------------------------------------------------------------------------------------------------------------------------------------------------------------------------------------------------------------------------------------------------------------------------------------------------------------------------------------------------------------------------------------------------------------------------------|
| 16-Mar-2018 | 3<br>(cont'd) | <p>Updated Max value for <math>C_S</math></p> <p>For parameter <math>C_{P2}</math>, updated the max value from "1" to "2"</p> <p>Added electrical specification for <math>R_{20K\Omega}</math> symbol</p> <p>Changed Max value = 1 by 2 for Cp2 SARB channels</p> <p><a href="#">Table 26: SARn ADC electrical specification:</a></p> <p>Classification for parameter "<math>I_{ADCREFH}</math>" changed from "C" to "T".</p> <p>For parameter <math>f_{ADCK}</math> (High frequency mode), changed min value from "7.5" to "&gt; 13.33"</p> <p>Deleted footnote "Values are subject to change (possibly improved to <math>\pm 2</math> LSB) after characterization"</p> <p>Added symbols <math>t_{ADCINIT}</math> and <math>t_{ADCBIASINIT}</math></p> <p>Column "C" split and added "D" for <math>I_{ADV\_S}</math></p> <p><a href="#">Table 27: ADC-Comparator electrical specification</a></p> <p>Classification for parameter "<math>I_{ADCREFH}</math>" changed from "C" to "T"</p> <p>Removed table footnote "Values are subject to change (possibly improved to <math>\pm 2</math> LSB) after characterization"</p> <p>Added new parameter "<math>t_{ADCINITSBY}</math>"</p> <p>Set min = <math>5/f_{ADCK}</math> <math>\mu s</math> for 10-bit ADC mode, min = <math>2/f_{ADCK}</math> for ADC comparator mode, at symbol <math>t_{ADCSAMPLE}</math></p> <p>Column "C" split and added "D" for <math>I_{ADV\_S}</math></p> <p><a href="#">Figure 8: Input equivalent circuit (Fast SARn and SARB channels):</a> updated</p> <p><a href="#">Section 3.13: Temperature Sensor</a></p> <p><a href="#">Table 28: Temperature sensor electrical characteristics:</a></p> <p>For "temperature monitoring range": classification removed (was C)</p> <p><a href="#">Section 4.14: LFAST pad electrical characteristics:</a></p> <p>Introduction paragraph:</p> <ul style="list-style-type: none"> <li>- 1st sentence: hidden text "both the SIPI and"</li> <li>- all 2nd sentence hidden: "The same LVDS.. tables"</li> </ul> <p><a href="#">Figure 9: LFAST LVDS timing definition:</a></p> <p>Title changed to "LFAST LVDS timing definition"</p> <p>Deleted:</p> <ul style="list-style-type: none"> <li>- 400 mV p-p (MSC/DSPI)</li> <li>- <math>0.50 * T</math> (MSC/DSPI)</li> <li>- (MSC/DSPI)</li> </ul> <p><a href="#">Table 29: LVDS pad startup and receiver electrical characteristics,:</a></p> <p>For parameter <math>I_{LVDS\_BIAS}</math>, changed the characteristics to "C"</p> <p><a href="#">Table 31: LFAST PLL electrical characteristics:</a></p> <ul style="list-style-type: none"> <li>- Min and Max value of parameter "<math>ERR_{REF}</math>" updated from "TBD" to "-1" and "+1" respectively</li> <li>- Max value of parameter "PN" updated from "TBD" to "-58"</li> <li>- Frequency of parameter "<math>\Delta PER_{REF}</math>" updated from "10MHZ" to "20MHZ"</li> <li>- Max value of parameter "<math>\Delta PER_{REF}</math>" for condition "Single period" updated from "TBD" to "350"</li> </ul> |



**Table 75. Document revision history (continued)**

| Date        | Revision      | Changes                                                                                                                                                                                                                                                                                                                                                                                                                                                                                                                                                                                                                                                                                                                                                                                                                                                                                                                                                                                                                                                                                                                                                                                                                                                                                                                                                                                                                                                                                                                                                                                                                                                                                                                                                                                                                                                                                                                                                                                                                                                                                                                                                                                                                                                                                                                                                                                                                                                                                                                                                                                                                                                                                                                                                                                                                                                                                                                                                                                                                                                                                                                                                                                                                                                                                                           |
|-------------|---------------|-------------------------------------------------------------------------------------------------------------------------------------------------------------------------------------------------------------------------------------------------------------------------------------------------------------------------------------------------------------------------------------------------------------------------------------------------------------------------------------------------------------------------------------------------------------------------------------------------------------------------------------------------------------------------------------------------------------------------------------------------------------------------------------------------------------------------------------------------------------------------------------------------------------------------------------------------------------------------------------------------------------------------------------------------------------------------------------------------------------------------------------------------------------------------------------------------------------------------------------------------------------------------------------------------------------------------------------------------------------------------------------------------------------------------------------------------------------------------------------------------------------------------------------------------------------------------------------------------------------------------------------------------------------------------------------------------------------------------------------------------------------------------------------------------------------------------------------------------------------------------------------------------------------------------------------------------------------------------------------------------------------------------------------------------------------------------------------------------------------------------------------------------------------------------------------------------------------------------------------------------------------------------------------------------------------------------------------------------------------------------------------------------------------------------------------------------------------------------------------------------------------------------------------------------------------------------------------------------------------------------------------------------------------------------------------------------------------------------------------------------------------------------------------------------------------------------------------------------------------------------------------------------------------------------------------------------------------------------------------------------------------------------------------------------------------------------------------------------------------------------------------------------------------------------------------------------------------------------------------------------------------------------------------------------------------------|
| 16-Mar-2018 | 3<br>(cont'd) | <p>– Min and Max value of parameter “<math>\Delta PER_{REF}</math>” for condition “Long period” updated from “TBD” to “-500” and “+500” respectively</p> <p><a href="#">Section 4.15: Power management</a><br/> <a href="#">Section 4.15.1: Power management integration</a><br/>                     Added sentence “It is recommended...device itself” for all devices<br/> <a href="#">Figure 17: Voltage monitor threshold definition</a>: Updated figure<br/> <a href="#">Table 32: Power management regulators</a><br/>                     Removed text “In parts packaged with LQFP176, the auxiliary and clamp regulators cannot be enabled” from note 2<br/> <a href="#">Table 33: External components integration</a><br/>                     For PMOS, replaced “STT4P3LLH6” with “PMPB100XPEA”<br/>                     For NMOS, replaced “STT6N3LLH6” with “PMPB55XNEA”<br/>                     Added table footnote to typ value of <math>C_{S2}</math><br/>                     Removed table footnote “External components number.....”<br/>                     Updated Min and Max values at symbol <math>C_E</math> to 1.1 and 3.0 respectively<br/> <a href="#">Table 34: Linear regulator specifications</a><br/>                     Classification of parameter “<math>IDD_{MREG}</math>” changed from “P” to “T”<br/>                     Classification of parameter “<math>IDD_{MREG}</math>” changed from “T” to “P”<br/>                     Updated values for symbol “<math>\Delta IDD_{MREG}</math>”:<br/>                     – Min: added -100<br/>                     – Max: added 100<br/>                     Updated TBD values<br/> <a href="#">Table 35: Auxiliary regulator specifications</a>: added table<br/> <a href="#">Table 36: Clamp regulator specifications</a>: added table<br/> <a href="#">Table 38: Voltage monitor electrical characteristics</a>:<br/> <math>V_{POR031\_C}</math>: changed the max value from 0.85 to 0.97<br/> <math>T_{VMFILTER}</math>: replaced T with D<br/>                     Min value of “<math>V_{POR200\_C}</math>” updated from “1.96” to “1.80”<br/>                     Max value of “<math>V_{POR031\_C}</math>” updated from “.85” “0.97”<br/>                     Changed the min value of parameter <math>V_{POR200\_C}</math> from “1.96” to “1.80”<br/>                     Changed the max value of parameter <math>V_{POR031\_C}</math> from “0.85” to “0.97”<br/>                     Changed the condition of parameter <math>T_{VMFILTER}</math> from “T” to “D”<br/>                     In Supply/Parameter: Replaced “_FLEX” by “_ETH” for <math>V_{LVD290\_IF}</math>, <math>V_{LVD400\_IF}</math>, <math>V_{HVD400\_IF}</math> and <math>V_{UVD600\_IF}</math> symbols<br/>                     Added symbol <math>V_{UVD600\_F}</math></p> <p><a href="#">Section 3.16: Flash</a><br/> <a href="#">Table 39: Wait state configuration</a>: added column for “APC” and table footnotes, other columns updated<br/> <a href="#">Table 40: Flash memory program and erase specifications</a>: updated<br/> <a href="#">Table 38: Flash memory Life Specification</a>: updated</p> <p><a href="#">Section 4.17: AC specifications</a><br/> <a href="#">Section 4.17.4: CAN timing</a>: added section</p> |

**Table 75. Document revision history (continued)**

| Date        | Revision      | Changes                                                                                                                                                                                                                                                                                                                                                                                                                                                                                                                                                                                                                                                                                                                                                                                                                                                                                                                                                                                                                                                                                                                                                                                                                                                                                                                                                                                                                                                                                                                                                                                                                                                                                                                                                                                                                                                                                                                                                                                                                 |
|-------------|---------------|-------------------------------------------------------------------------------------------------------------------------------------------------------------------------------------------------------------------------------------------------------------------------------------------------------------------------------------------------------------------------------------------------------------------------------------------------------------------------------------------------------------------------------------------------------------------------------------------------------------------------------------------------------------------------------------------------------------------------------------------------------------------------------------------------------------------------------------------------------------------------------------------------------------------------------------------------------------------------------------------------------------------------------------------------------------------------------------------------------------------------------------------------------------------------------------------------------------------------------------------------------------------------------------------------------------------------------------------------------------------------------------------------------------------------------------------------------------------------------------------------------------------------------------------------------------------------------------------------------------------------------------------------------------------------------------------------------------------------------------------------------------------------------------------------------------------------------------------------------------------------------------------------------------------------------------------------------------------------------------------------------------------------|
| 16-Mar-2018 | 3<br>(cont'd) | <p><i>Table 43: Nexus debug port timing</i>: Classification of parameters “<math>t_{EVTIPW}</math>” and “<math>t_{EVTOPW}</math>” changed from “P” to “D”</p> <p><i>Table 45: DSPI channel frequency support</i><br/>Added column to show slower and faster frequencies<br/>Added DSPI_5 to lower frequency and removed it from higher frequency</p> <p><i>Table 46: DSPI CMOS master classic timing (full duplex and output only) MTFE = 0, CPHA = 0 or 1</i><br/>Changed the Min value of <math>t_{SCK}</math> (very strong) from 33 to 59</p> <p><i>Table 56: CAN timing</i>: Added columns for “CC” and “D”</p> <p><i>Section 4: Package information</i></p> <p><i>Table 61: eTQFP64 package mechanical data</i><br/>Deleted angle lines<br/>Updated values for D2, D3, E2, E3 and ddd</p> <p><i>Table 62: eTQFP100 package mechanical data</i><br/>Deleted angle lines</p> <p><i>Table 64: eLQFP176 package mechanical data</i><br/>Updated values for D2 and E2</p> <p><i>Figure 43: eTQFP64 package outline</i>: Removed “6.2x6.2 mm” after “eTQFP 10x10x1.0”</p> <p><i>Figure 44: eTQFP100 package outline</i><br/>Removed “6.4x6.4 mm” after “eTQFP 14x14x1.0”</p> <p><i>Table 69: Thermal characteristics for 64 exposed pad eTQFP package</i>:<br/>Updated all parameters values</p> <p><i>Table 70: Thermal characteristics for 100 exposed pad eTQFP package</i>:<br/>Updated all parameters values</p> <p><i>Table 71: Thermal characteristics for 144 exposed pad eTQFP package</i>:<br/>Updated all parameters values</p> <p><i>Table 72: Thermal characteristics for 176 exposed pad LQFP package</i>:<br/>Updated all parameters values</p> <p><i>Section 6: Ordering information</i></p> <p><i>Figure 59: Ordering information scheme</i>:<br/>Removed “R” value for the Packing options<br/>Replaced “X” by “0” for Silicon revision<br/>Added “”pin 1 top right” to “X” description in Packing</p> <p><i>Table 73: Code Flash options</i> and <i>Table 74: RAM options</i>: added these tables</p> |

Table 75. Document revision history (continued)

| Date        | Revision | Changes                                                                                                                                                                                                                                                                                                                                                                                                                                                                                                                                                                                                                                                                                                                                                                                                                                                                                                                                                                                                                                                                                                                                                                                                                                                                                                                                                                                                                                                                                                                                                                                                                                                                                                                                                                                                                                                                                                                                                                                                                                                                                                                                                                                                                                                                                                                      |
|-------------|----------|------------------------------------------------------------------------------------------------------------------------------------------------------------------------------------------------------------------------------------------------------------------------------------------------------------------------------------------------------------------------------------------------------------------------------------------------------------------------------------------------------------------------------------------------------------------------------------------------------------------------------------------------------------------------------------------------------------------------------------------------------------------------------------------------------------------------------------------------------------------------------------------------------------------------------------------------------------------------------------------------------------------------------------------------------------------------------------------------------------------------------------------------------------------------------------------------------------------------------------------------------------------------------------------------------------------------------------------------------------------------------------------------------------------------------------------------------------------------------------------------------------------------------------------------------------------------------------------------------------------------------------------------------------------------------------------------------------------------------------------------------------------------------------------------------------------------------------------------------------------------------------------------------------------------------------------------------------------------------------------------------------------------------------------------------------------------------------------------------------------------------------------------------------------------------------------------------------------------------------------------------------------------------------------------------------------------------|
| 10-Sep-2019 | 4        | <p><i>Section 1: Introduction</i>: Removed “Document overview” section title.</p> <p><i>Section 2: Description</i>: Changed title type.</p> <p><i>Section 4.2: Absolute maximum ratings</i></p> <p><i>Table 4: Absolute maximum ratings</i>: Added cross reference to footnote<sup>(2)</sup> to all <math>V_{DD\_HV*}</math> and <math>V_{IN}</math></p> <p><i>Section 4.3: Operating conditions</i></p> <ul style="list-style-type: none"> <li>– <i>Table 5: Operating conditions</i>: <math>V_{DD\_HV\_ADR\_S}</math>: Removed line for C condition.</li> </ul> <p><i>Section 4.5: Electromagnetic compatibility characteristics</i>: Updated section title from “Electromagnetic emission characteristics” to <i>Section 4.5: Electromagnetic compatibility characteristics</i>.</p> <p><i>Section 4.7: Device consumption</i></p> <p><i>Table 8: Device consumption</i>:</p> <ul style="list-style-type: none"> <li>– Updated maximum values of all conditions and changed from ‘P’ to ‘C’ in C column at <math>T_J=40\text{ °C}</math> condition for <math>I_{DDSTBY8}</math>, <math>I_{DDSTBY32}</math> and <math>I_{DDSTBY128}</math> parameters.</li> <li>– Moved table footnote 1. from table title to “Value”.</li> </ul> <p><i>Section 4.9: Reset pad (PORST) electrical characteristics</i></p> <p><i>Figure 5: Startup Reset requirements</i>: Deleted <math>V_{DDMIN}</math>.</p> <p><i>Section 4.10: PLLs</i></p> <ul style="list-style-type: none"> <li>– <i>Table 19: PLL0 electrical characteristics</i>: Changed condition from T to D for <math> \Delta_{PLL0PHI1SPJ} </math>, <math>\Delta_{PLL0LTJ}</math> and <math>I_{PLL0}</math>.</li> <li>– <i>Table 20: PLL1 electrical characteristics</i>: Changed condition from T to D for <math>I_{PLL1}</math>.</li> </ul> <p><i>Section 4.11: Oscillators</i>:</p> <p><i>Table 23: Internal RC oscillator electrical specifications</i>: Updated Max value for <math>I_{FIRC}</math>.</p> <p><i>Section 4.12: ADC system</i>:</p> <ul style="list-style-type: none"> <li>– <i>Figure 8: Input equivalent circuit (Fast SARn and SARb channels)</i>: Added parameter “<math>C_{EXT}</math>: external capacitance” and component to scheme.</li> <li>– <i>Table 25: ADC pin specification</i>: Added row for symbol “<math>C_{EXT} / SR</math>”.</li> </ul> |

Table 75. Document revision history (continued)

| Date        | Revision      | Changes                                                                                                                                                                                                                                                                                                                                                                                                                                                                                                                                                                                                                                                                                                                                                                                                                                                                                                                                                                                                                                                                                                                                                                                                                                                                                                                                                                                                                                                                                                                                                                                                                                                                                                                                                                                                                                                                                                                                                                                                                                                                                                                                                                                                                                                                                                                                                                                                                                                                                                                                                                                                                                                                                                                                                                                                                                                                                                                                                                   |
|-------------|---------------|---------------------------------------------------------------------------------------------------------------------------------------------------------------------------------------------------------------------------------------------------------------------------------------------------------------------------------------------------------------------------------------------------------------------------------------------------------------------------------------------------------------------------------------------------------------------------------------------------------------------------------------------------------------------------------------------------------------------------------------------------------------------------------------------------------------------------------------------------------------------------------------------------------------------------------------------------------------------------------------------------------------------------------------------------------------------------------------------------------------------------------------------------------------------------------------------------------------------------------------------------------------------------------------------------------------------------------------------------------------------------------------------------------------------------------------------------------------------------------------------------------------------------------------------------------------------------------------------------------------------------------------------------------------------------------------------------------------------------------------------------------------------------------------------------------------------------------------------------------------------------------------------------------------------------------------------------------------------------------------------------------------------------------------------------------------------------------------------------------------------------------------------------------------------------------------------------------------------------------------------------------------------------------------------------------------------------------------------------------------------------------------------------------------------------------------------------------------------------------------------------------------------------------------------------------------------------------------------------------------------------------------------------------------------------------------------------------------------------------------------------------------------------------------------------------------------------------------------------------------------------------------------------------------------------------------------------------------------------|
| 10-Sep-2019 | 4<br>(cont'd) | <p><i>Section 4.14: LFAST pad electrical characteristics:</i></p> <ul style="list-style-type: none"> <li>– <i>Figure 9: LFAST LVDS timing definition:</i> Updated.</li> <li>– <i>Table 29: LVDS pad startup and receiver electrical characteristics:</i> Removed the last sentence of Note “Total internal capacitance...”.</li> </ul> <p><i>Section 4.15: Power management:</i></p> <ul style="list-style-type: none"> <li>– <i>Table 33: External components integration:</i> Updated conditions for <math>C_{BV}</math>.</li> <li>– <i>Table 38: Voltage monitor electrical characteristics:</i> Added footnote “Even if LVD/HVD ...”</li> </ul> <p><i>Section 4.16: Flash:</i></p> <ul style="list-style-type: none"> <li>– <i>Table 39: Wait state configuration:</i> for APC=001 changed the minimum frequency from 40 to 55 MHz</li> <li>– <i>Table 40: Flash memory program and erase specifications:</i> Updated.</li> </ul> <p><i>Section 4.17: AC specifications:</i></p> <p><i>Section 4.17.3.7: RMI transmit signal timing (TXD[1:0], TX_EN):</i> Added note “RMI transmit ... as 1 ns”.</p> <p><i>Section 5: Package information:</i></p> <ul style="list-style-type: none"> <li>– Added introduction sentence in each Package section.</li> <li>– Added sub-section “Package mechanical drawings and data information” and introduction sentence to the notes list.</li> <li>– <i>Table 60: Package case numbers:</i> Removed package reference column.</li> <li>– <i>Figure 43: eTQFP64 package outline:</i> Updated.</li> <li>– <i>Figure 44: eTQFP64 section A-A:</i> Added.</li> <li>– <i>Table 61: eTQFP64 package mechanical data:</i> Updated table, notes content and numbering.</li> <li>– <i>Section 5.1.1: Package mechanical drawings and data information:</i> Moved notes to new section.</li> <li>– <i>Figure 46: eTQFP64 leadframe pad design:</i> Added.</li> <li>– <i>Table 62: eTQFP64 symbol definitions:</i> Added.</li> <li>– <i>Figure 47: eTQFP100 package outline:</i> Updated.</li> <li>– <i>Figure 48: eTQFP100 section A-A:</i> Added.</li> <li>– <i>Figure 49: eTQFP100 section B-B:</i> Added.</li> <li>– <i>Table 63: eTQFP100 package mechanical data:</i> Updated table, notes content and numbering.</li> <li>– <i>Section 5.2.1: Package mechanical drawings and data information:</i> Moved notes to new section.</li> <li>– <i>Figure 50: eTQFP100 leadframe pad design:</i> Updated.</li> <li>– <i>Figure 51: eTQFP144 package outline:</i> Updated.</li> <li>– <i>Table 65: eTQFP144 package mechanical data:</i> Updated table, notes content and numbering.</li> <li>– <i>Section 5.3.1: Package mechanical drawings and data information:</i> Moved notes to new section.</li> <li>– <i>Figure 55: eLQFP176 package outline:</i> Updated.</li> <li>– <i>Figure 57: eLQFP176 section B-B:</i> Added.</li> <li>– <i>Table 67: eLQFP176 package mechanical data:</i> Updated table, notes and numbering.</li> </ul> |

Table 75. Document revision history (continued)

| Date        | Revision      | Changes                                                                                                                                                                                                                                                                                                                                                                                                                                                                                                                                                                                                                      |
|-------------|---------------|------------------------------------------------------------------------------------------------------------------------------------------------------------------------------------------------------------------------------------------------------------------------------------------------------------------------------------------------------------------------------------------------------------------------------------------------------------------------------------------------------------------------------------------------------------------------------------------------------------------------------|
| 10-Sep-2019 | 4<br>(cont'd) | <ul style="list-style-type: none"> <li>– <a href="#">Section 5.4.1: Package mechanical drawings and data information</a>: Moved notes to new section.</li> <li>– <a href="#">Table 68: eLQFP176 symbol definitions</a>: Updated.</li> <li>– <a href="#">Table 72: Thermal characteristics for 176 exposed pad LQFP package</a>: Updated values.</li> </ul> <p><a href="#">Section 6: Ordering information</a></p> <p><a href="#">Figure 59: Ordering information scheme</a>:</p> <ul style="list-style-type: none"> <li>– Added figure footnotes.</li> <li>– Removed “F = Security HW + ST Firmware” in security.</li> </ul> |