

This compact stringpot provides the ultimate in ease-of-use and flexibility. This sensor fits in small spaces, doesn't need perfect alignment, mounts in just about any direction imaginable and has a unique circuit that lets the user choose 4-20mA or 0-10Vdc output on the fly.

The SPD comes in 4 different stroke ranges up to 50 inches and is constructed with a rugged polycarbonate body sealed against IP67 (wet) environments for both indoor and outdoor applications. Every unit ships with a stainless steel mounting bracket that lets the user easily point the measuring cable in the direction needed.

High value and economical price makes this sensor the perfect choice for the OEM and single-piece user alike. Customer specific designs available for the OEM, please contact factory for more information.

## SPD

### Compact, High-Performance String Pot Dual Output to 50"

**Comes With Both 4...20mA and 0...10V Output**

**Rugged IP67 Polycarbonate Enclosure**

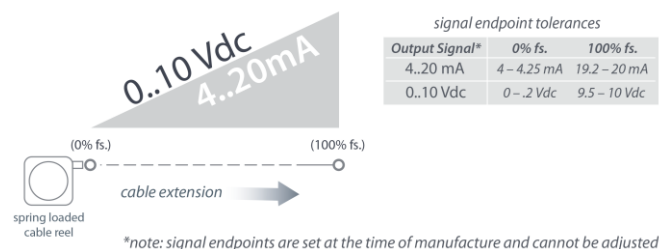
**Mounting Bracket & Sensor Cover Adjusts for Easy Installation**

**IN STOCK for Quick Delivery!**

#### Specifications

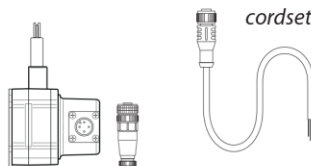
<b>Full Stroke Range Options</b>	0-4.75 to 0-50 inches
<b>User Selectable Output Signal</b>	4...20 mA (2-wire) / 0...10 Vdc
<b>Input Voltage, 4...20 mA option</b>	8-40 VDC
<b>Input Voltage, 0...10 Vdc option</b>	12-32 VDC
<b>Accuracy</b>	see ordering information
<b>Repeatability</b>	.05% FS.
<b>Resolution</b>	essentially infinite
<b>Measuring Cable</b>	.019-inch dia. nylon-coated stainless steel
<b>Sensor</b>	plastic-hybrid precision potentiometer
<b>Cycle Life</b>	see ordering information
<b>Electrical Connection</b>	M12 connector (mating plug included)
<b>Enclosure</b>	glass-filled polycarbonate
<b>Environmental</b>	IP 67
<b>Operating Temperature</b>	-40° to 160° F (-40° to 70° C)
<b>Weight (includes sensor, bracket and connector)</b>	.4 lbs (.19 kg)

#### Output Signal

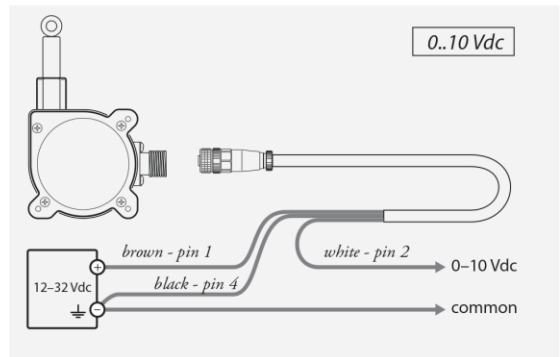
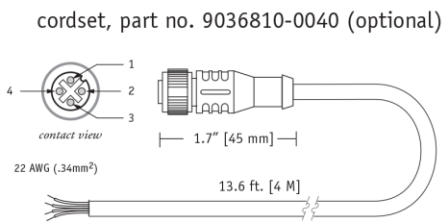
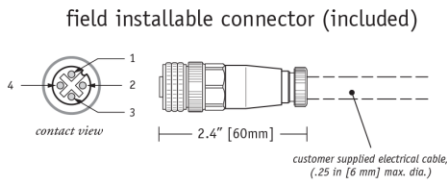
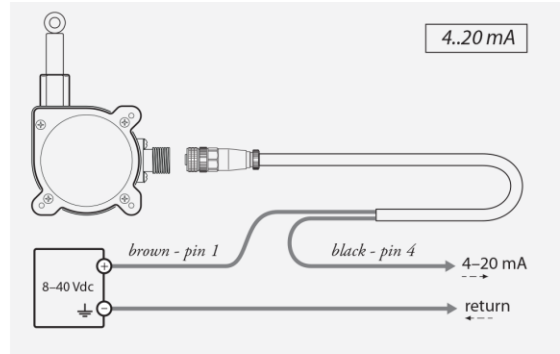


**Electrical Connection**

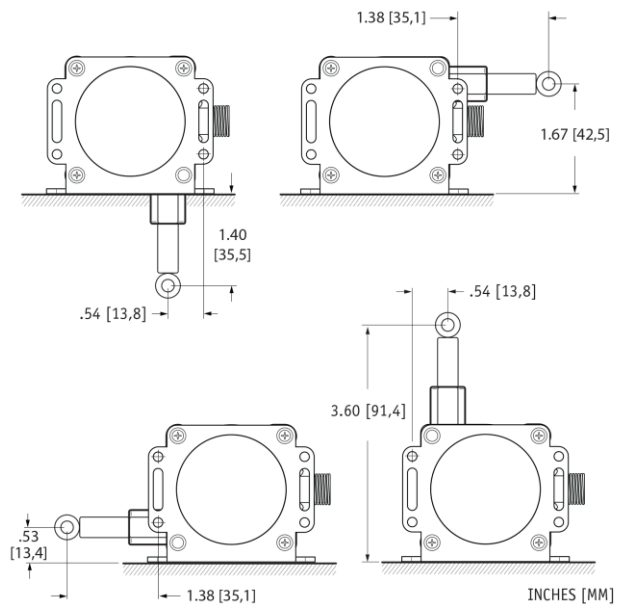
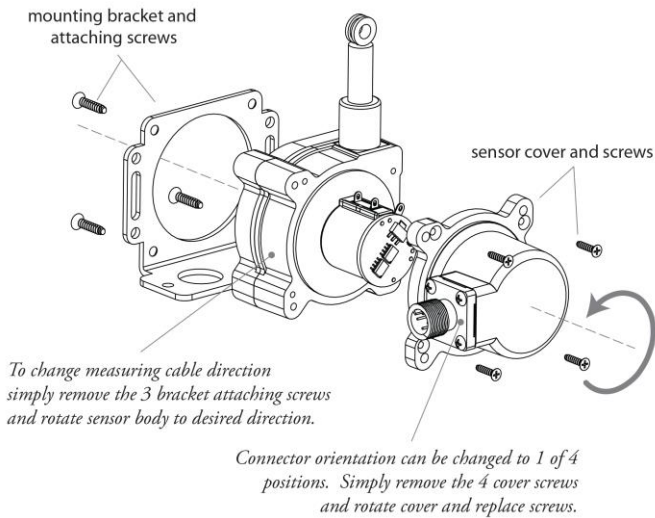
**Output Signals**



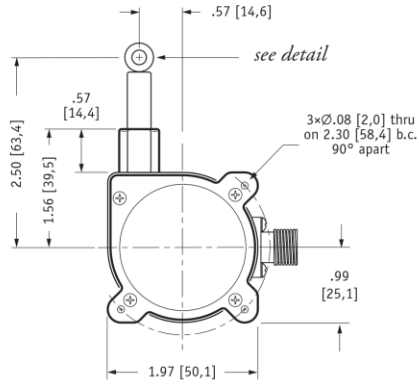
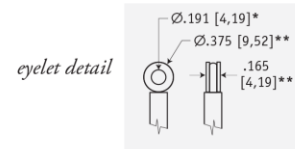
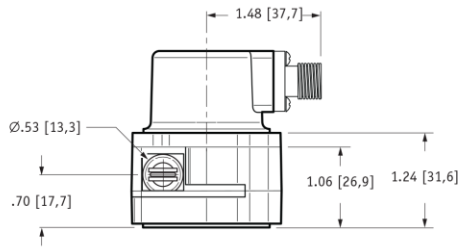
0...10 Vdc	4...20 mA	pin	pin - colorcode
12...32 Vdc	8...40 Vdc	1	1 - brown
0...10 Vdc	n/c	2	2 - white
n/c	n/c	3	3 - blue
common	4...20 mA	4	4 - black



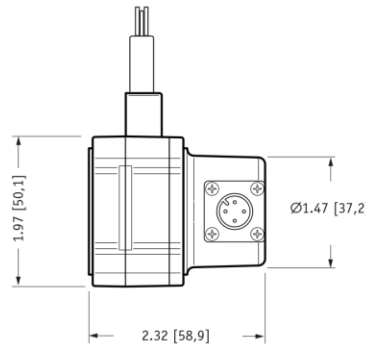
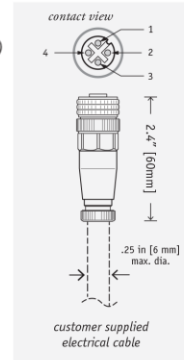
**Mounting Options**



**SPD-xx-3 w/o Mounting Bracket**



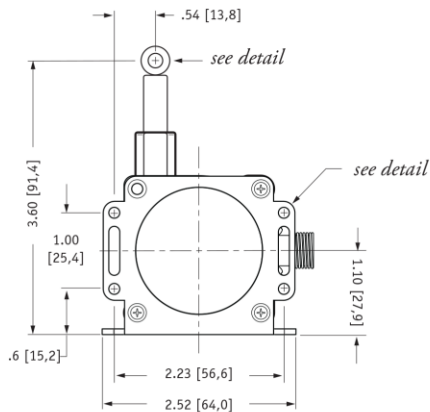
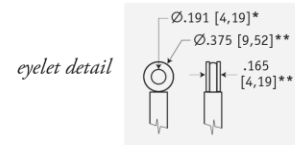
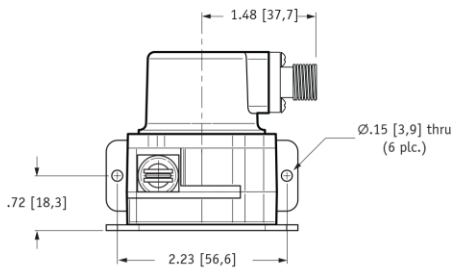
*mating plug (included)*



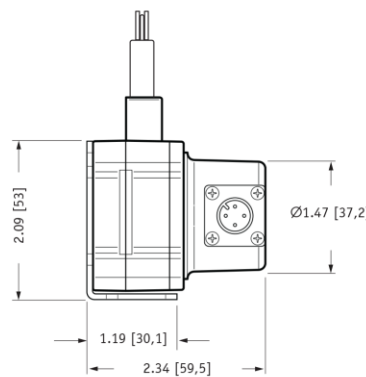
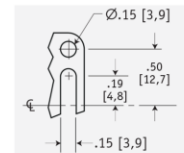
DIMENSIONS ARE IN INCHES [MM]  
tolerances are 0.04 IN. [1,0 MM] unless otherwise noted.

\* tolerance = +.005 -.001 [+0,1 -0,0]  
\*\* tolerance = +.005 -.005 [+0,1 -0,1]

**SPD-xx-3 w/ Mounting Bracket**



*bracket detail*



DIMENSIONS ARE IN INCHES [MM]  
tolerances are 0.04 IN. [1,0 MM] unless otherwise noted.

\* tolerance = +.005 -.001 [+0,1 -0,0]  
\*\* tolerance = +.005 -.005 [+0,1 -0,1]