



# TAOGLAS®



# Datasheet

## 10 Inch Subwoofer Speaker - 4 Ohm

**Part No:**  
SPKR.10.4.A

### **Description:**

10" Subwoofer Speaker - 4 Ohm 80W RMS  
Rugged design for installation in a wide range of vehicles

### **Features:**

4 Ohm Impedance  
Rated Input Power 80W RMS  
Max Input Power 160W Peak  
Sensitivity 86 dB 1 W @ 1m  
Dimensions: 257 x 257 x 117 mm  
Connector: Packard Electric 12052832  
RoHS & Reach Compliant

1. Introduction	3
2. Specifications	4
3. Frequency Response and Impedance Plots	5
4. Mechanical Drawing	6
5. Packaging	7
<hr/>	
Changelog	8

Taoglas makes no warranties based on the accuracy or completeness of the contents of this document and reserves the right to make changes to specifications and product descriptions at any time without notice. Taoglas reserves all rights to this document and the information contained herein. Reproduction, use or disclosure to third parties without express permission is strictly prohibited.

Copyright © Taoglas Ltd.



## 1. Introduction



Featuring a rugged design, in an industry standard form factor enabling ease of installation in a wide range of vehicles, with high levels of long term reliability and best in class performance Taoglas products are known for.

Our 10 Inch Subwoofer Speaker offers an extended sub-bass frequency response down to 20 Hz, with 4 Ohm impedance and power handling of 80W RMS and 160W Peak. Proven performance in demanding environments including heavy duty trucks and industrial and agricultural equipment. Taoglas added speakers to our product portfolio to provide both high quality connectivity and high quality audio solutions from one trusted company.

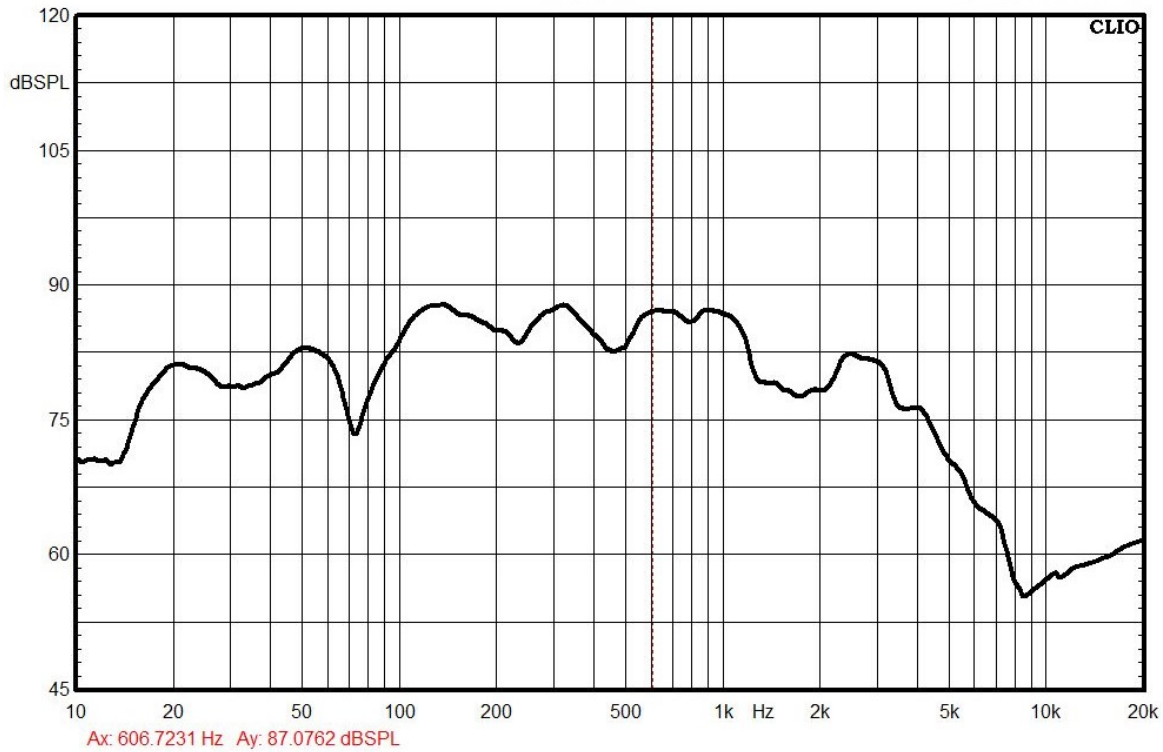
Please contact your regional Taoglas customer service team for more information and installation guidelines.

## 2. Specifications

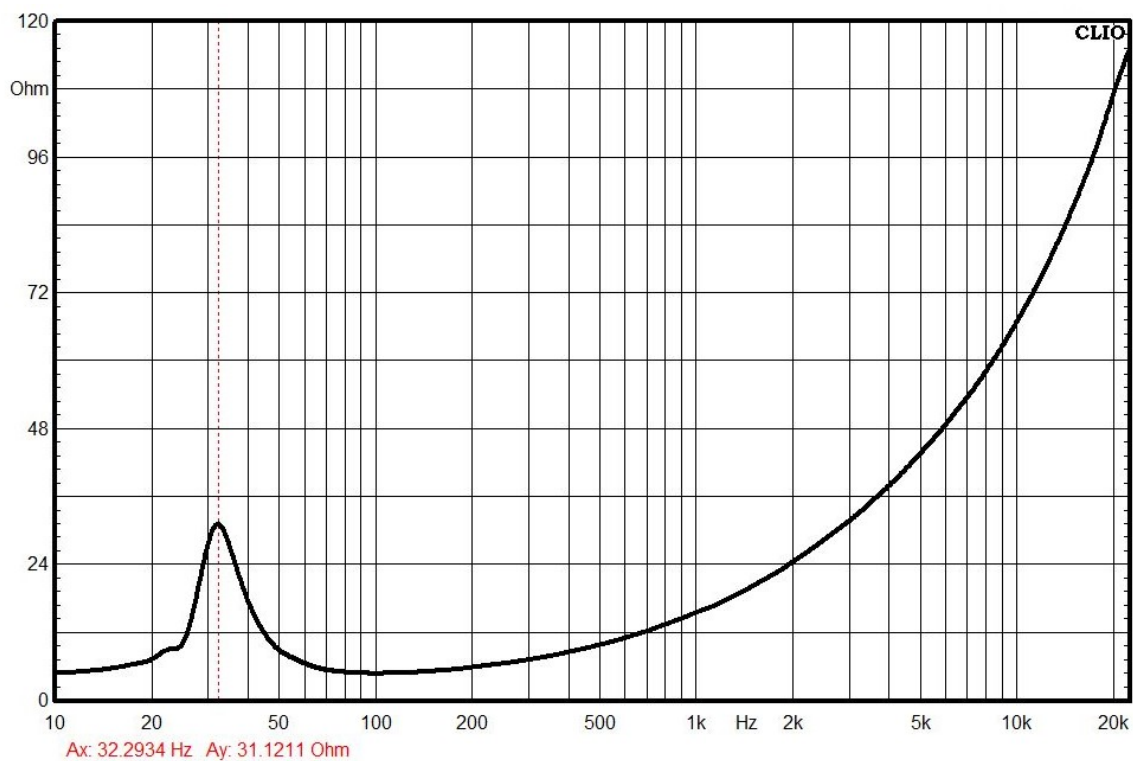
<b>Electrical / Acoustic</b>	
Rated Impedance	4 Ohms +/- 10% Ohms
Frequency Response	20 Hz – 4,000 Hz +/- 6dB
Sensitivity	86 dB at 1W @ 1m
Maximum SPL	105 dB Continuous / 108 dB Peak @ 1m
Rated Input Power	80 Watts RMS (AES Continuous)
Maximum Input Power	160 Watts Peak (IEC Short Term)
Recommended Amplifier Power	80 Watts FTC
Optimal Enclosure Volume (Sealed)	146 Liters
Optimal Enclosure Volume (Ported)	40 Liters
Resonant Frequency	33 Hz +/-10 % Hz at Rated Input Power
Distortion	6.3 % @ 1 kHz at Rated Input Power
<b>Mechanical</b>	
Dimensions	257 x 257 x 117 mm
Weight	2.25 Kg
Connector	Packard Electric 12052832
<b>Environmental</b>	
Temperature Range	-40°C to 85°C
Humidity	Non-condensing 65°C 95% Relative Humidity

### 3. Frequency Reponse and Impedance Plots

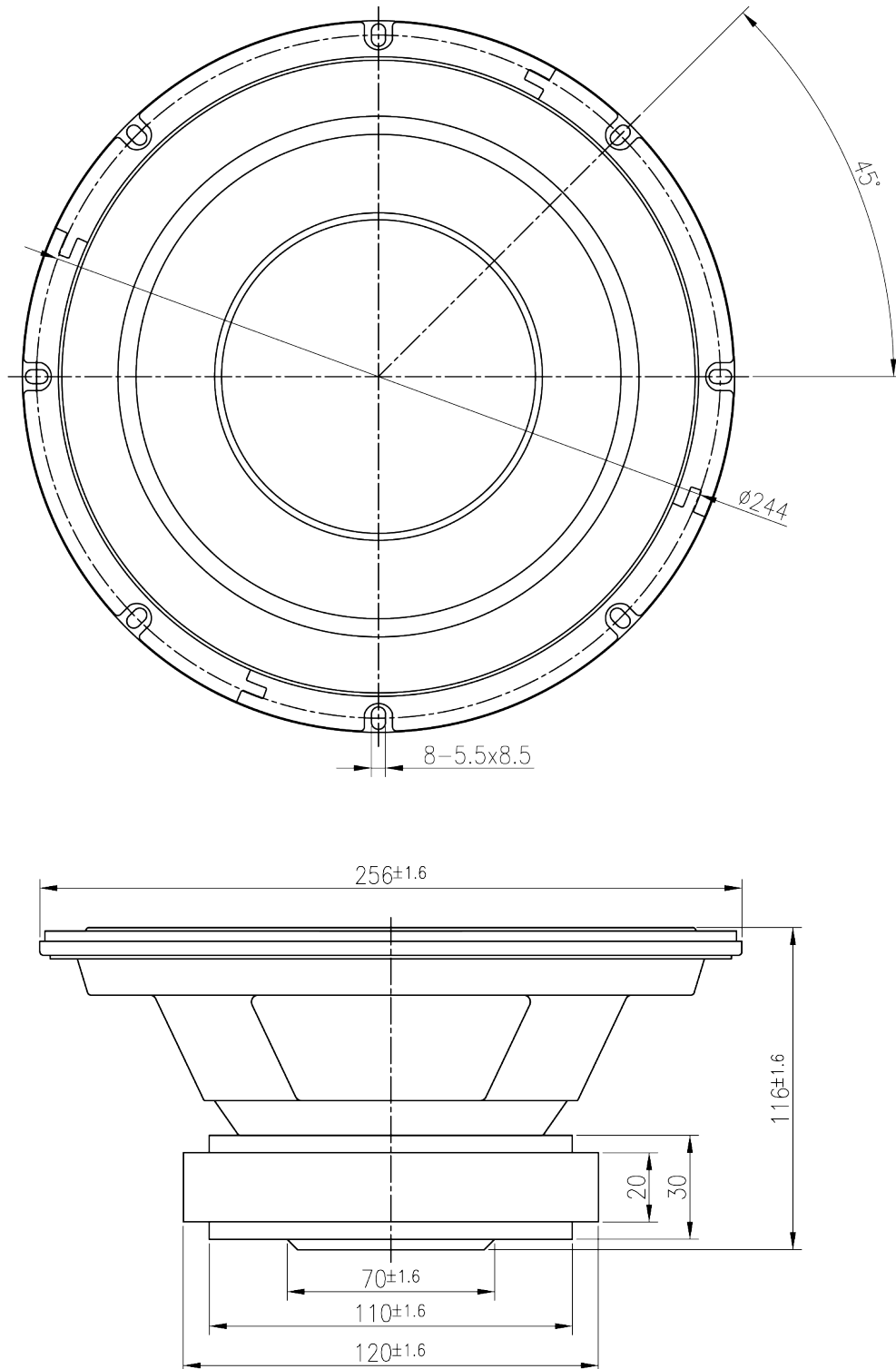
#### 3.1 Frequency Response



#### 3.2 Impedance

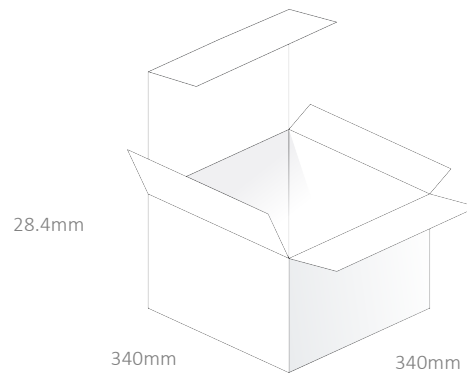


4. Mechanical Drawing (Units: mm)

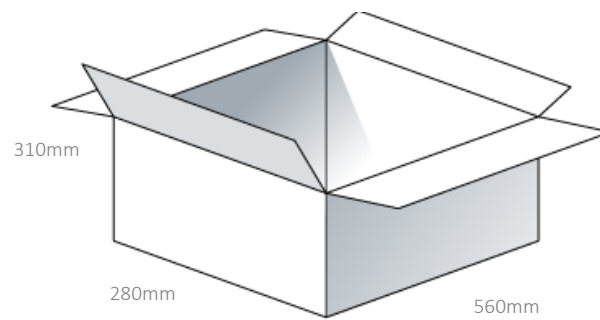


## 5. Packaging

1 pcs SPKR.10.4.A per Box  
 Dimensions – 270 x 270 x 130mm  
 Weight – 2.21kg



4 pcs SPKR.10.4.A per Carton  
 Dimensions – 560 x 280 x 310mm  
 Weight – 10Kg



Changelog for the datasheet

**SPE-19-8-044 – SPKR.10.4.A**

**Revision: E (Current Version)**

Date:	2022-12-16
Changes:	Updated Specifications, Frequency Response Plot, and Impedance Plot, based on third party testing
Changes Made by:	Mark Brown

**Previous Revisions**

**Revision: A**

Date:	2019-05-02
Changes:	Initial Release
Changes Made by:	Jack Conroy

**Revision: B**

Date:	2019-09-12
Changes:	Updated Drawing
Changes Made by:	Jack Conroy

**Revision: C**

Date:	2021-07-13
Changes:	Updated Mechanical Drawing
Changes Made by:	Gary West

**Revision: D**

Date:	2022-7-05
Changes:	Updated Specifications
Changes Made by:	Cesar Souza