



TAOGLAS®



Datasheet

6 Inch Full Range Dual Cone Speaker - 8 Ohm - Foam Gasket

Part No:
SPKR.6.8.A

Description:

6" Dual Cone Speaker - 8 Ohm 35W RMS

Foam Gasket on front of frame

Rugged design for installation in a wide range of vehicles

Features:

8 Ohm Impedance

Rated Input Power 35W RMS

Max Input Power 70W Peak

Sensitivity 90 dB 1W @ 1m

Dimensions 157 x 157 x 67 mm

Connector Packard Electric 12052832

RoHS & REACH Compliant

1.	Introduction	3
2.	Specifications	4
3.	Frequency Response and Impedance Plots	5
4.	Mechanical Drawing	6
5.	Packaging	7
<hr/>		
	Changelog	8

Taoglas makes no warranties based on the accuracy or completeness of the contents of this document and reserves the right to make changes to specifications and product descriptions at any time without notice. Taoglas reserves all rights to this document and the information contained herein. Reproduction, use or disclosure to third parties without express permission is strictly prohibited.

Copyright © Taoglas Ltd.



1. Introduction



Featuring a rugged design, in an industry standard form factor enabling ease of installation in a wide range of vehicles, with high levels of long term reliability and best in class performance Taoglas products are known for.

Our 6 Inch Dual Cone Full Range Speaker offers response optimized for voice and high sensitivity, with 8 Ohm impedance and power handling of 35W RMS and 70W Peak. Proven performance in demanding environments including heavy duty trucks and industrial and agricultural equipment. Taoglas added speakers to our product portfolio to provide both high quality connectivity and high quality audio solutions from one trusted company.

SPKR.6.8.A has a foam gasket on front of frame, to minimize noise and vibration when mounted in a vehicle.

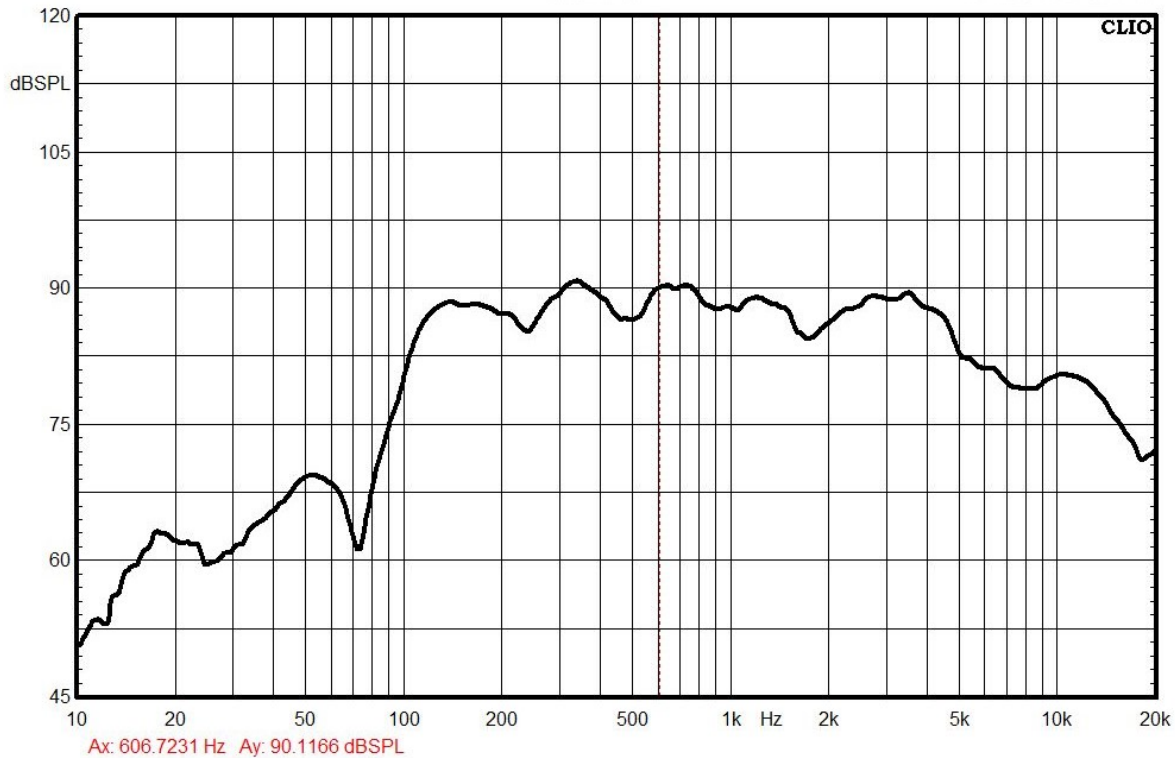
Please contact your regional Taoglas customer service team for more information and installation guidelines.

2. Specifications

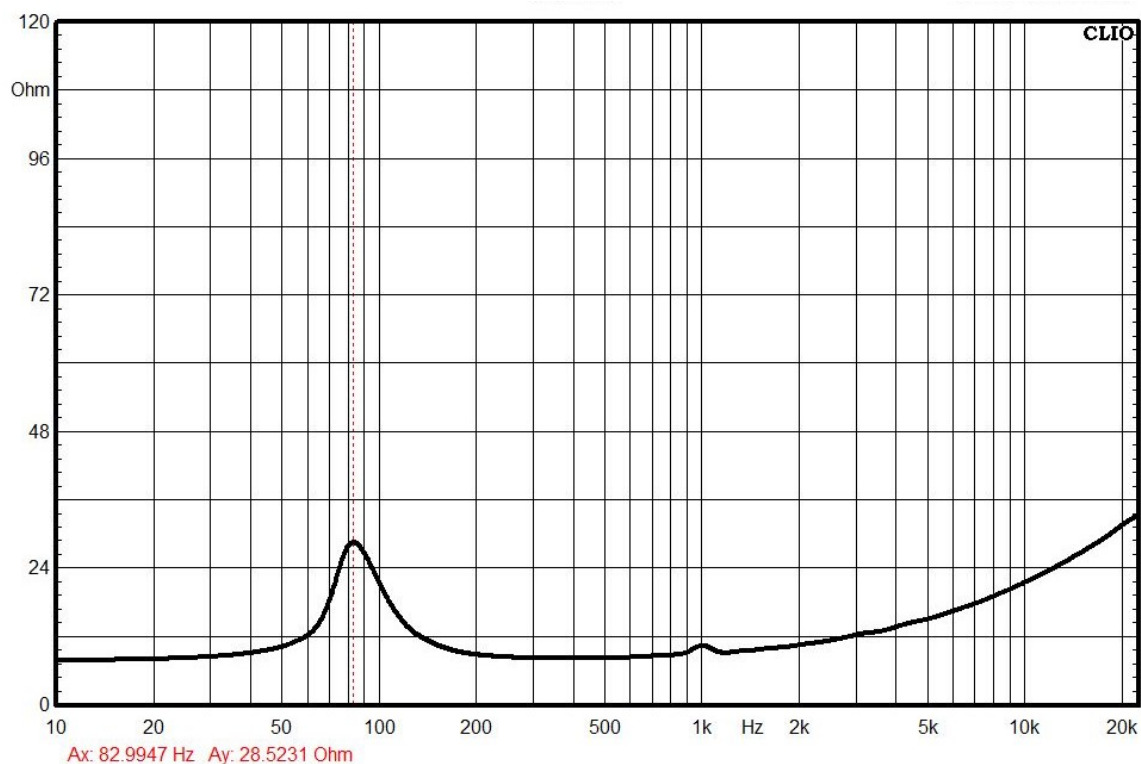
Electrical / Acoustic	
Rated Impedance	8 Ohms +/- 10% Ohms
Frequency Response	95 Hz – 10,000 Hz +/- 6 dB
Sensitivity	90 dB 1W @ 1m
Maximum SPL	105 dB Continuous / 108 dB Peak @ 1m
Rated Input Power (AES Continuous)	35 Watts RMS (AES Continuous)
Maximum Input Power (IES short term)	70 Watts Peak (IEC Short Term)
Recommended Amplifier Power	35 Watts FTC
Optimal Enclosure Volume Sealed	58 Liters
Optimal Enclosure Volume Ported	15 Liters
Resonant Frequency	83 Hz +/- 10% Hz at Rated Input Power
Distortion	3.35 % @ 1 kHz at Rated Input Power
Mechanical	
Dimensions	157 x 157 x 67 mm
Weight	0.76 Kg
Connector	Packard Electric 12052832
Environmental	
Temperature Range	-40°C to 85°C
Humidity	Non-condensing 65°C 95% Relative Humidity

3. Frequency Reponse and Impedance Plots

3.1 Frequency Response

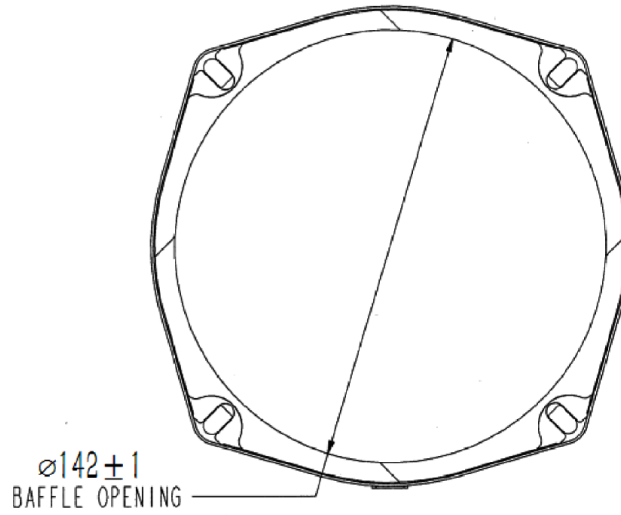


3.2 Impedance

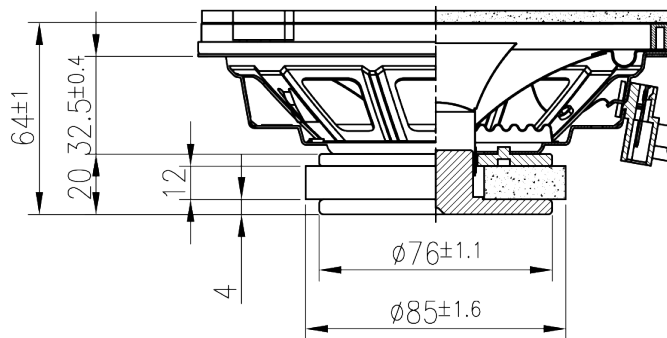


4. Mechanical Drawing (Units: mm)

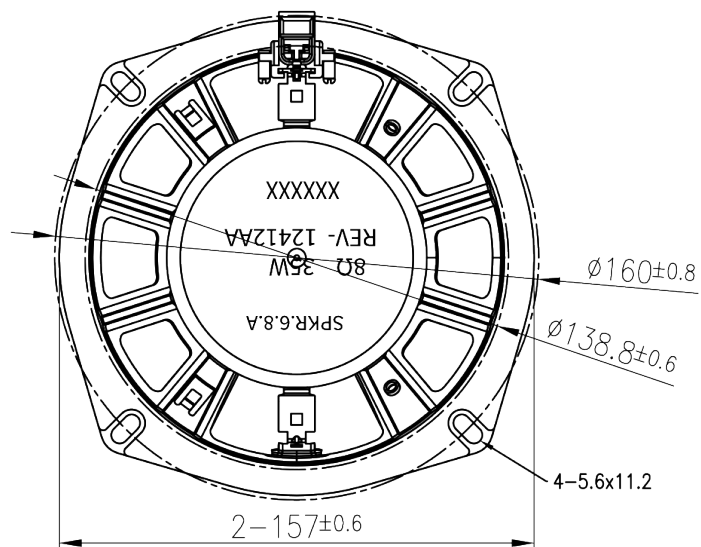
Top View



Side View

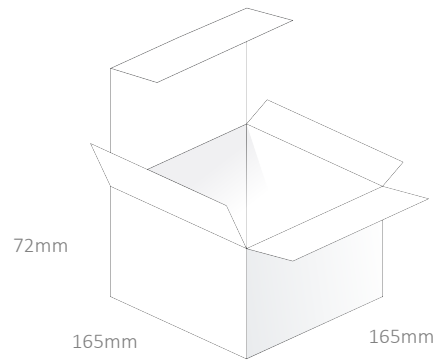


Bottom View

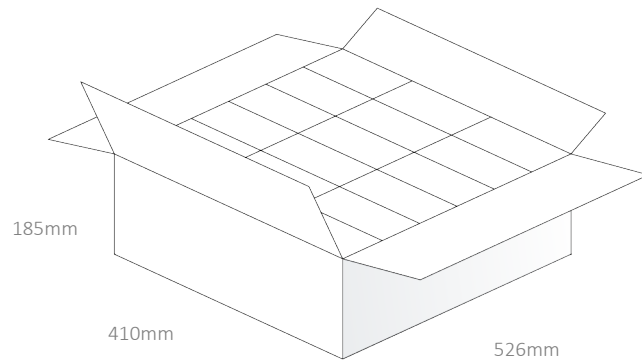


5. Packaging

1pcs SPKR.6.8.A per carton
 Dimensions – 165 x 165 x 72mm
 Weight – 0.84Kg



15pcs SPKR.8.4.A per carton
 Dimensions – 526 x 410 x 185mm
 Weight – 14.5Kg



Changelog for the datasheet

SPE-19-8-040 – SPKR.6.8.A

Revision: E (Current Version)

Date:	2022-12-16
Changes:	Updated Specifications, Frequency Response Plot, and Impedance Plot, based on third party testing.
Changes Made by:	Mark Brown

Previous Revisions

Revision: A

Date:	2019-05-02
Changes:	Initial Release
Changes Made by:	Jack Conroy

Revision: B

Date:	2019-09-12
Changes:	Updated Drawing
Changes Made by:	Jack Conroy

Revision: C

Date:	2021-07-13
Changes:	Updated Mechanical Drawing
Changes Made by:	Gary West

Revision: D

Date:	2022-7-05
Changes:	Updated Specifications
Changes Made by:	Cesar Souza