

**SCHOTTKY BARRIER RECTIFIER**

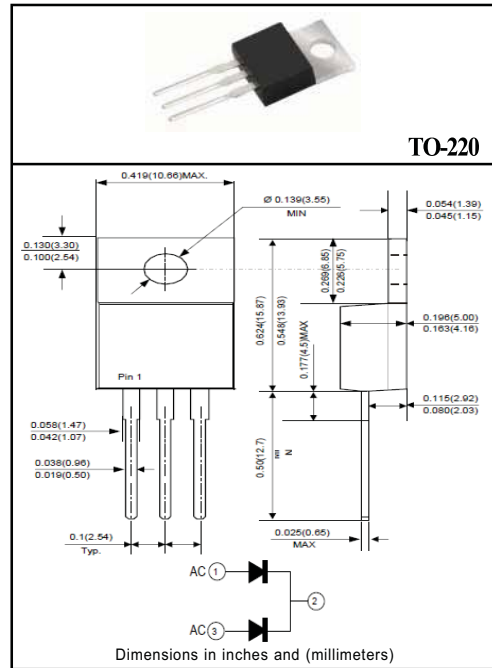
**VOLTAGE RANGE 20 to 200 Volts CURRENT 30 Amperes**

**FEATURES**

- \* Low switching noise
- \* Low forward voltage drop
- \* Low thermal resistance
- \* High current capability
- \* High switching capability
- \* High surge capability
- \* High reliability

**MECHANICAL DATA**

- \* Case: To-220 molded plastic
- \* Epoxy: Device has UL flammability classification 94V-0
- \* Lead: MIL-STD-202E method 208C guaranteed
- \* Mounting position: Any



**MAXIMUM RATINGS AND ELECTRICAL CHARACTERISTICS**

Ratings at 25 °C ambient temperature unless otherwise specified.  
resistive or inductive load.

**MAXIMUM RATINGS (@ TA=25 °C unless otherwise noted)**

RATINGS	SYMBOL	SR3020C	SR3030C	SR3035C	SR3040C	SR3045C	SR3050C	SR3060C	SR3080C	SR30100C	SR30150C	SR30200C	UNITS
Maximum Recurrent Peak Reverse Voltage	$V_{RRM}$	20	30	35	40	45	50	60	80	100	150	200	Volts
Maximum RMS Voltage	$V_{RMS}$	14	21	25	28	32	35	42	56	70	105	140	Volts
Maximum DC Blocking Voltage	$V_{DC}$	20	30	35	40	45	50	60	80	100	150	200	Volts
Maximum Average Forward Rectified Current at Derating Case Temperature	$I_O$	30											Amps
Peak Forward Surge Current 8.3 ms single half sine-wave superimposed on rated load (JEDEC method)	$I_{FSM}$	300											Amps
Typical Current Squared Time	$I^2t$	373.3											A <sup>2</sup> /Sec
Typical Thermal Resistance (Note 1)	$R_{\theta JC}$	1.5											°C/W
	$R_{\theta JA}$	30											°C/W
Operating Temperature Range	$T_J$	150											°C
Storage Temperature Range	$T_{STG}$	-55 to + 150											°C

**ELECTRICAL CHARACTERISTICS (@TA=25 °C unless otherwise noted)**

CHARACTERISTICS	SYMBOL	SR3020C	SR3030C	SR3035C	SR3040C	SR3045C	SR3050C	SR3060C	SR3080C	SR30100C	SR30150C	SR30200C	UNITS
Maximum Instantaneous Forward Voltage at 15.0A DC	$V_F$	.65					.75		.80				Volts
Maximum Average Reverse Current at Rated DC Blocking Voltage	@ $T_A = 25^\circ C$	1.0											mA
	@ $T_A = 100^\circ C$	10											mA

- NOTES : 1. Thermal Resistance : Heat-sink mounted.  
2. Suffix "A" = Common Anode.  
3. "Fully ROHS compliant", "100% Sn plating (Pb-free)".

## RATING AND CHARACTERISTICS CURVES ( SR3020C THRU SR30200C )

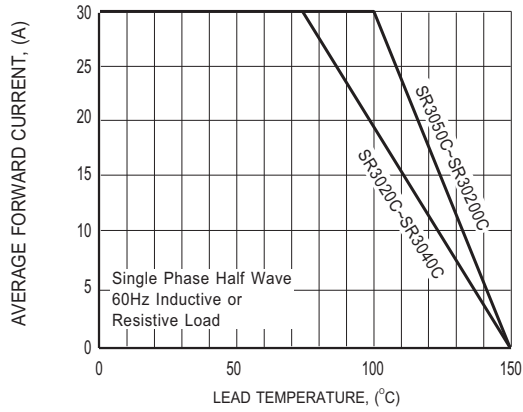


FIG.1 TYPICAL FORWARD CURRENT DERATING CURVE

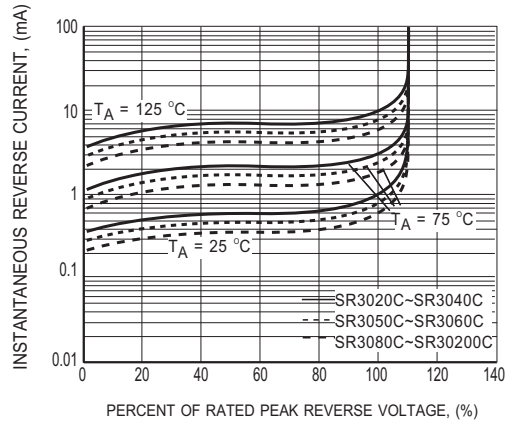


FIG.2 TYPICAL REVERSE CHARACTERISTICS

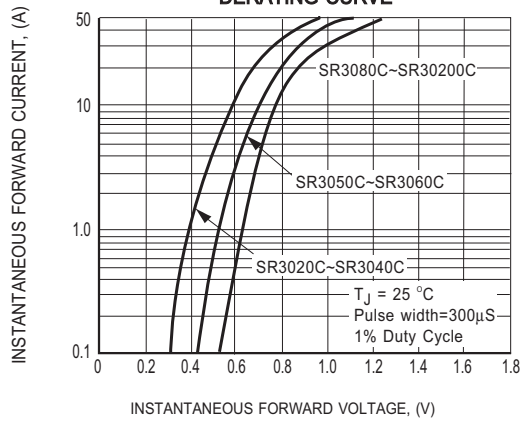


FIG.3 TYPICAL INSTANTANEOUS FORWARD CHARACTERISTICS

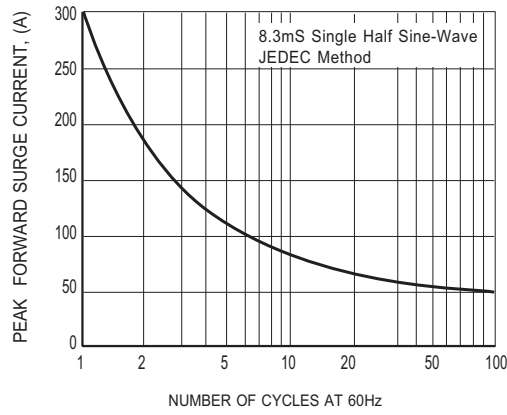


FIG.4 MAXIMUM NON-REPETITIVE FORWARD SURGE CURRENT

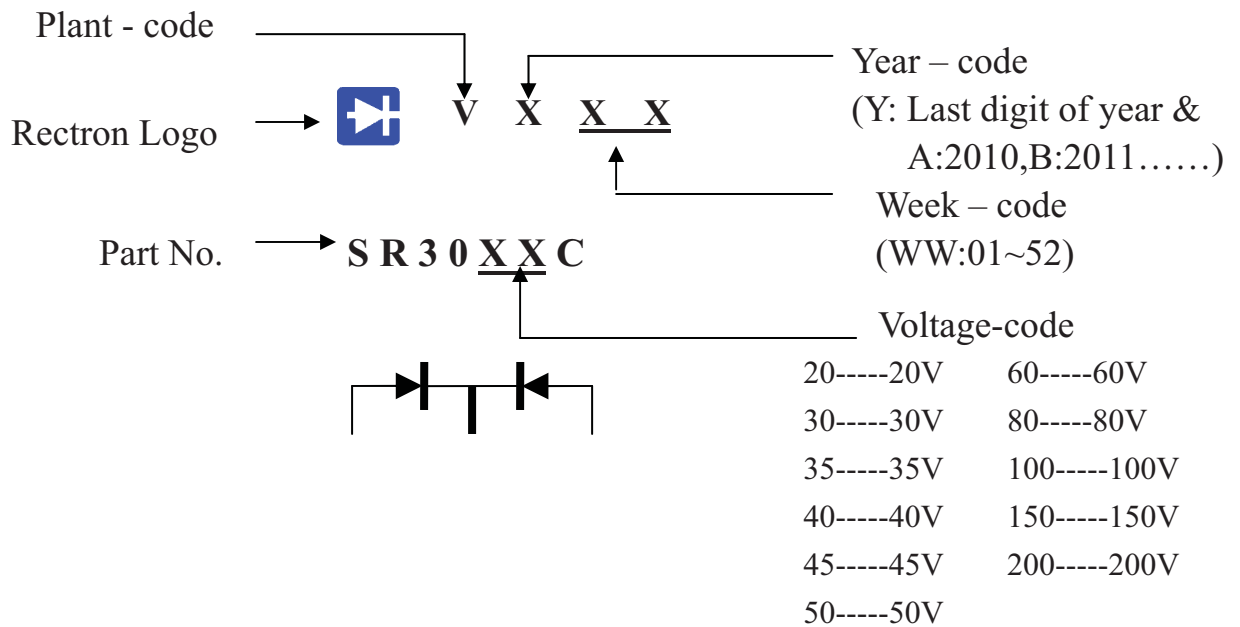


## Attachment information about SR30XXC

### 1. Internal Circuit



### 2. Marking on the body



# PACKAGING OF DIODE AND BRIDGE RECTIFIERS

## TUBE PACK

PACKAGE	PACKING CODE	EA PER BOX	INNER BOX SIZE (mm)	CARTON SIZE (mm)	EA PER CARTON	WEIGHT(Kg)
(I)TO-220/TO-220(A)	-C	2,000	550*140*92	572*308*120	4,000	11.80