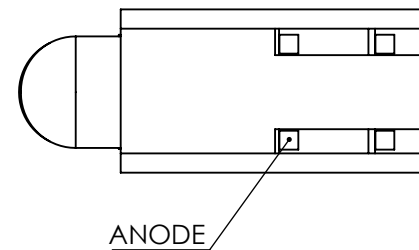
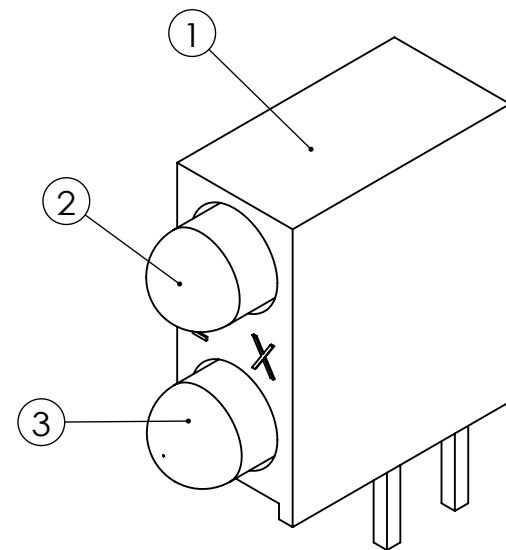
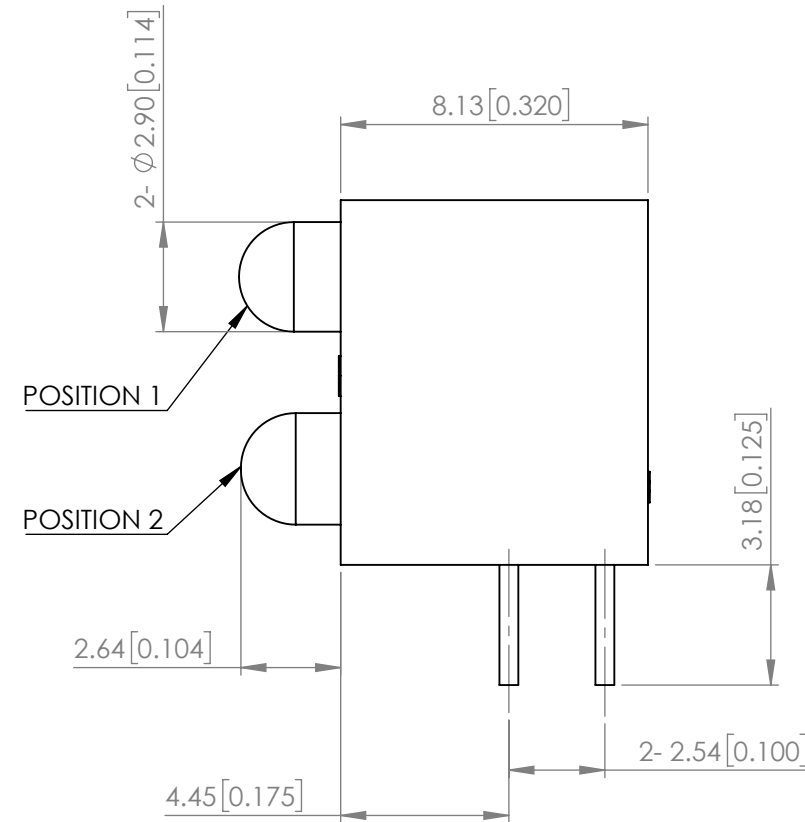
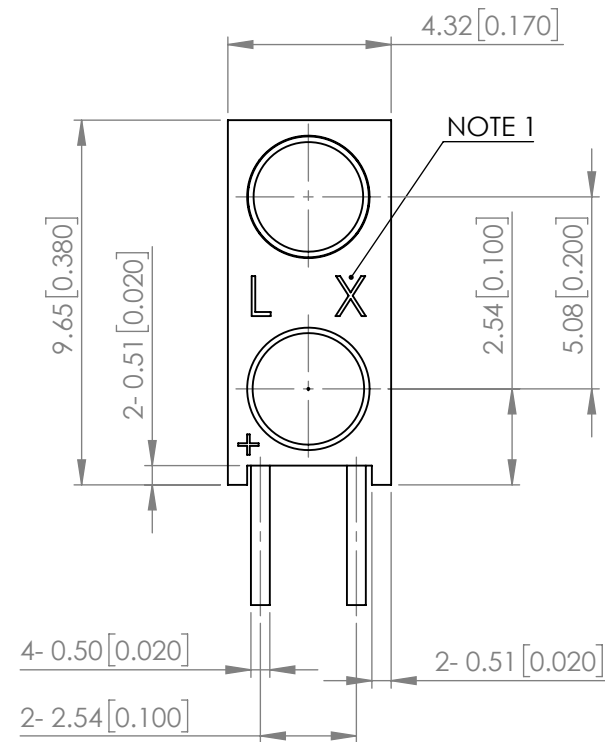


PART NUMBER		SSF-LXH240IGD	REV	A
REV	E.C.N. NUMBER AND REVISION COMMENTS		DATE	
A	ECN-Lumex201800113		06.25.18	



**NOTE:**  
1. "L X" OR "LUMEX"

**ELECTRO-OPTICAL CHARACTERISTIC TA=25°C**

PARAMETER	MIN	TYP	MAX	UNITS	TEST COND
PEAK WAVELENGTH	R	630	-	nm	If=10mA
	G	565	-		
FORWARD VOLTAGE	R	1.9	2.2	Vf	If=10mA
	G	2.0	2.4		
REVERSE CURRENT	-	-	10	uA	VR=5V
LUMINOUS INTENSITY	R	20	-	mcd	If=10mA
	G	25	-		
VIEWING ANGLE	-	50	-	2x theta1/2	-
EMITTED COLOR	POSITION 1: RED / POSITION 2: GREEN				
EPOXY LENS FINISH	RED DIFFUSED / GREEN DIFFUSED				

**ABSOLUTE MAXIMUM RATINGS TA=25°C**

PARAMETER	MAX	UNITS
PEAK FORWARD CURRENT (R/G)*	160 / 140	mA
FORWARD CURRENT (R/G)	30 / 25	mA
REVERSE VOLTAGE (R/G)	5	V
POWER DISSIPATION (R/G)	66 / 60	mW
STORAGE TEMPERATURE	-40 TO +85	°C
OPERATING TEMPERATURE	-40 TO +85	°C
SOLDERING TEMP.	3 SEC. MAX @ 260	°C

\* t<10us

\*\* 2.00mm FROM BODY

ITEM NO.	PARTS	QTY.	DESCRIPTION
1	SSH-LXH240 HOLDER	1	BLACK NYLON 94V-0
2	SSL-LX3044ID	1	RED LED
3	SSL-LX3044GD	1	GREEN LED

\*UNLESS OTHERWISE SPECIFIED TOLERANCES PER DECIMAL PRECISION ARE: X=±1 (±0.039), X.X=±0.5 (±0.020), X.XX=±0.25 (±0.010), X.XXX=±0.127 (±0.005). LEAD SIZE=±0.05 (±0.002), LEAD LENGTH=±0.75 (±0.030). MIN= <sup>+DECIMAL PRECISION</sup>/<sub>-0.00</sub> MAX= <sup>+0.00</sup>/<sub>-DECIMAL PRECISION</sub>