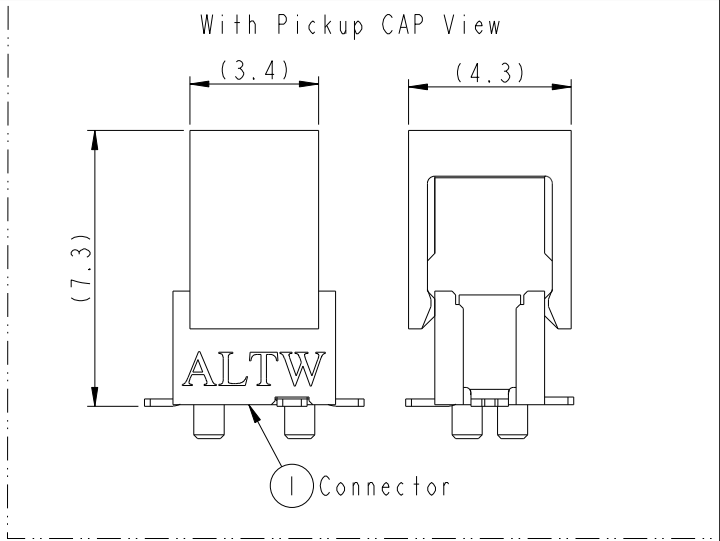
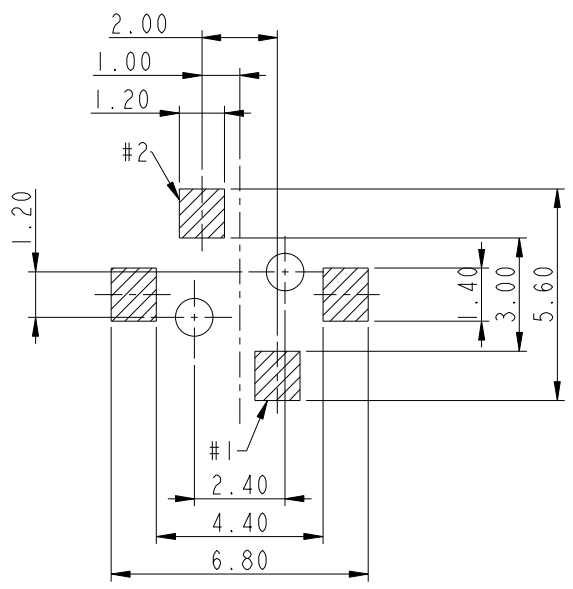
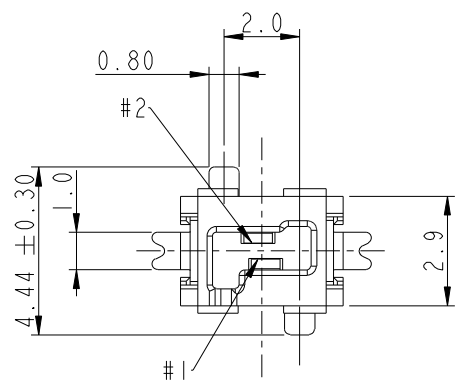
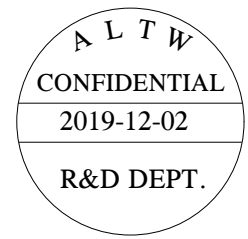
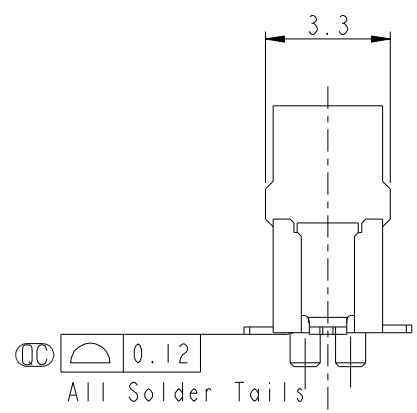
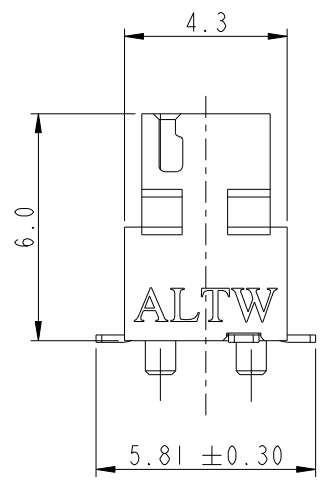


REV.	ECN NO.	DATE	SIGN	DESCRIPTION
C	CI91496	2019-08-27	NianPing Yu	Add UL Label
D	CI92063	2019-12-02	NianPing Yu	△XI

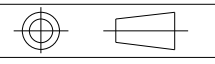


RECOMMENDED P.C.B. LAYOUT  
GENERAL TOLERANCE IS ±0.05



- Notes:
- \* (QC) Important Dimension To Check.
  - \* Housing: High temperature thermoplastic. UL94V-0, color is Natural white.
  - \* Pickup Cap: High temperature thermoplastic. UL94V-0, color is Black.
  - \* Terminal: Copper Alloy, Gold Plated on contact area. Tin plated on solder tails.
  - \* Solder Peg: Copper Alloy, Tin plated over Nickel.

UNIT:mm  
TOLERANCE  
.X ±0.25  
.XX ±0.1  
.XXX ±0.05  
ANGLES ±1°



TITLE SSL-1.1 DC 2P JACK CONN, WITH POST,S/T,SMT TYPE			
SCALE 5:1	SIZE A4	SHEET 1 OF 2	
REV. D	WC-REV. A.15	(QC): Inspection item	

**Amphenol LTW**  
安費諾亮泰企業股份有限公司

ITEM NO SSL11-J2A00-000001	DRAWN BY NianPing Yu	DATE 2019-08-27
DWG NO SSL11-J2A00-000001	CHECKED BY Fisher Wang	DATE 2019-08-27
CUSTOMER ALTW	APPROVED BY Max Yang	DATE 2019-08-27

THIS DOCUMENT IS SUBJECT TO CHANGE WITHOUT NOTICE. IT IS CONFIDENTIAL AND A PROPERTY OF Amphenol LTW. DISCLOSURE TO THIRD PARTY HAS TO BE AUTHORIZED BY Amphenol LTW.

2 3 4 5 6 7 8

F

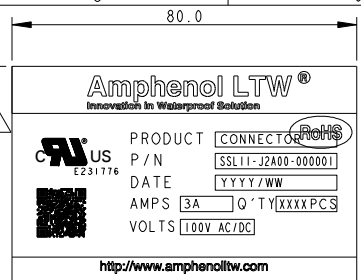
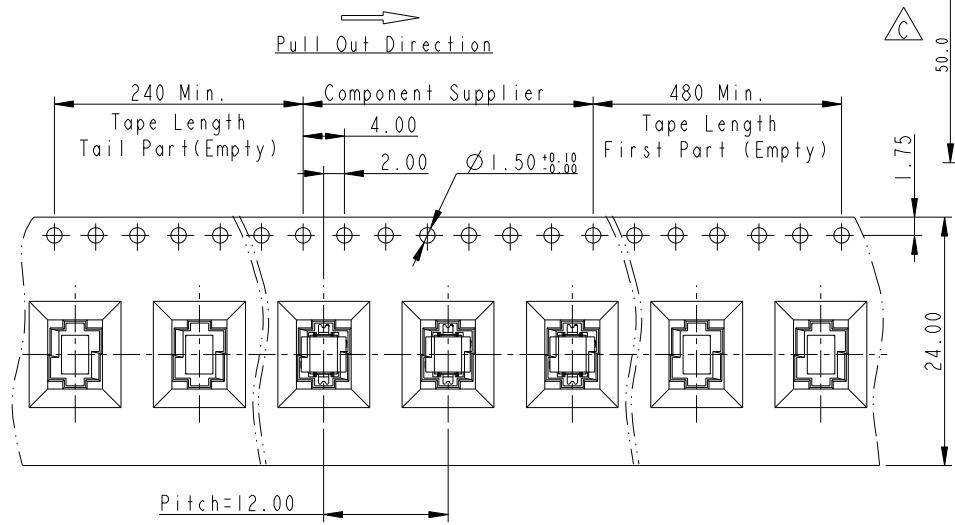
E

D

C

B

A

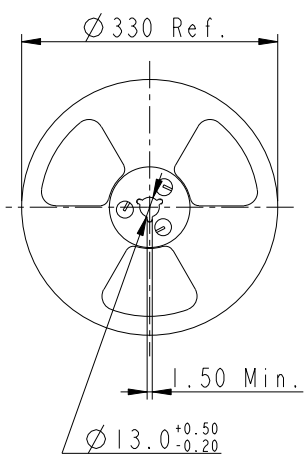


**MATERIALS**

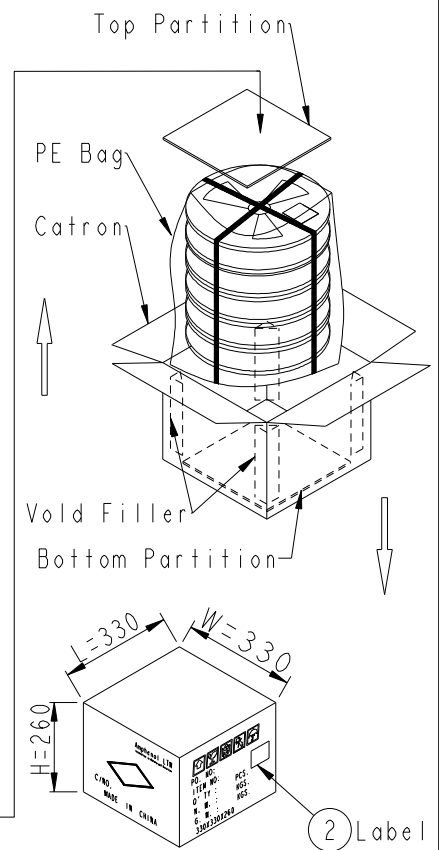
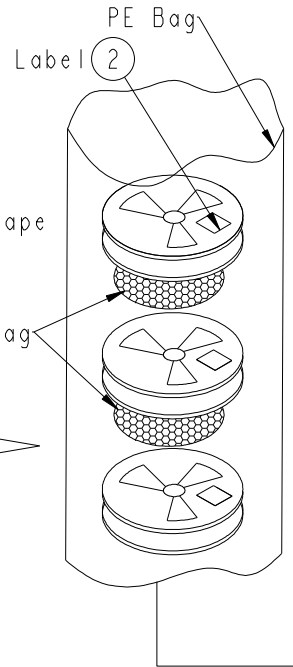
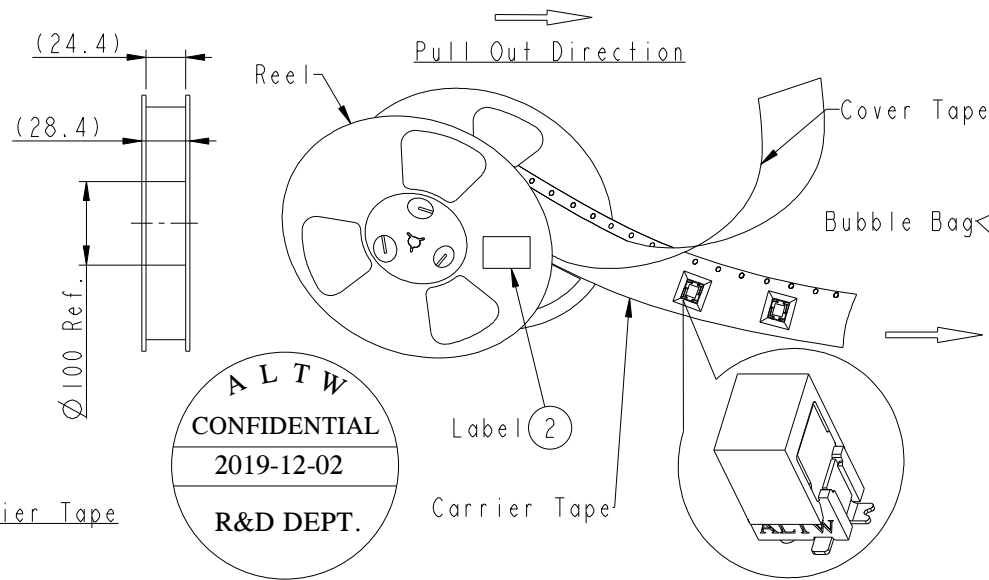
1. Carrier Tape: Polystyren (PS)
2. Cover Tape: Polystyren (PS)
3. Reel: Polystyren (PS)

**QUANTITY**

1. 500Pcs Per Reel
2. 8 Reel Per Carton (4000Pcs/Carton)
3. Reference Standard: EIA-481-D
4. Net Weight: 0.5Kg/Carton.
5. Gross Weight: 4.0Kg/Carton.



Reel For Carrier Tape



UNIT:mm		
TOLERANCE	.X ±0.25	.XX ±0.1
	.XXX ±0.05	ANGLES ±1°

TITLE SSL-1.1 DC 2P JACK CONN, WITH POST,S/T,SMT TYPE		
SCALE 5:1	SIZE A4	SHEET 2 OF 2
REV. D	WC-REV. A.8	QC: Inspection item

**Amphenol LTW**  
安費諾亮泰企業股份有限公司

ITEM NO SSL11-J2A00-000001	DWG NO SSL11-J2A00-000001	CUSTOMER ALTW
-------------------------------	------------------------------	------------------

DRAWN BY NianPing Yu	CHECKED BY Fisher Wang	APPROVED BY Max Yang
-------------------------	---------------------------	-------------------------

DATE 2019-08-27	DATE 2019-08-27	DATE 2019-08-27
--------------------	--------------------	--------------------

2 3 4 5 6 7 8 W10814-03-#01A2