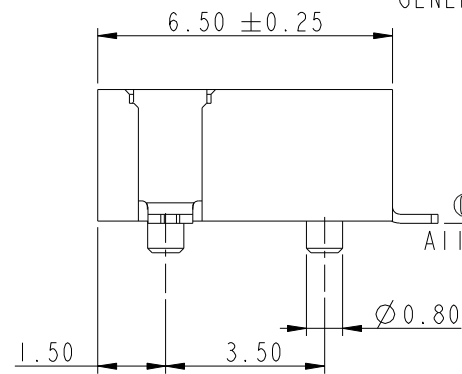
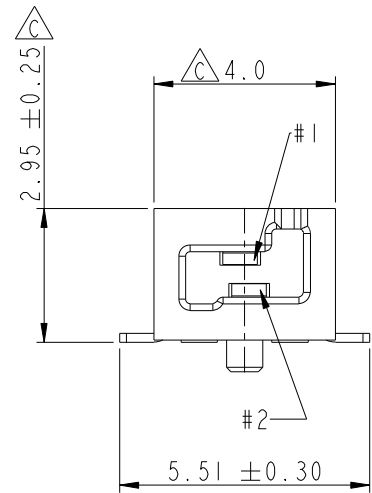
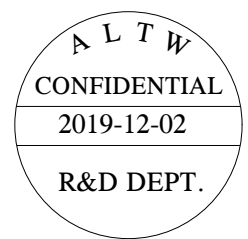
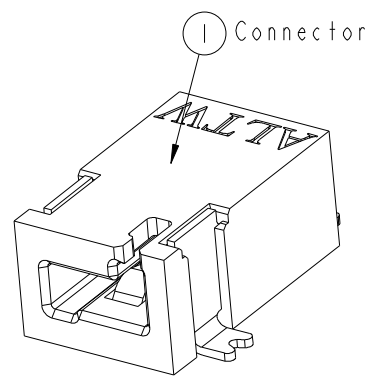
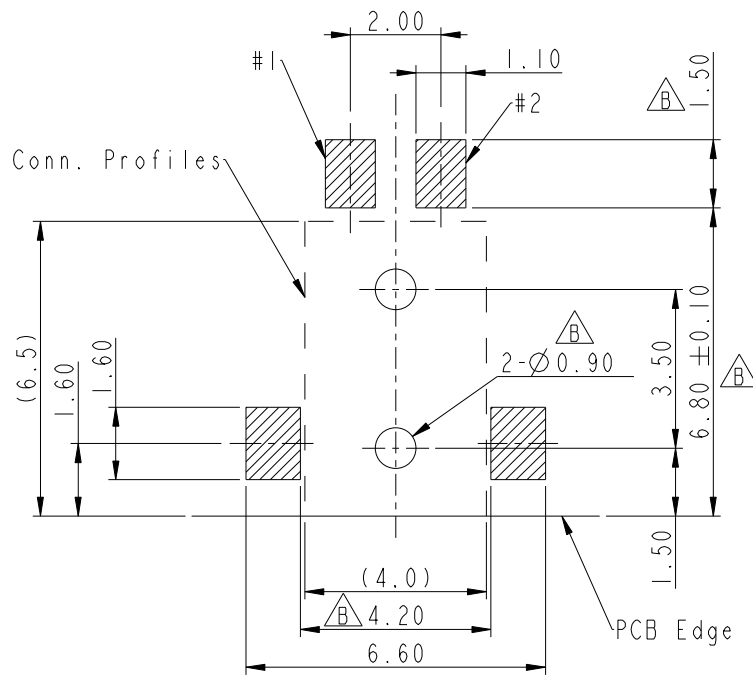
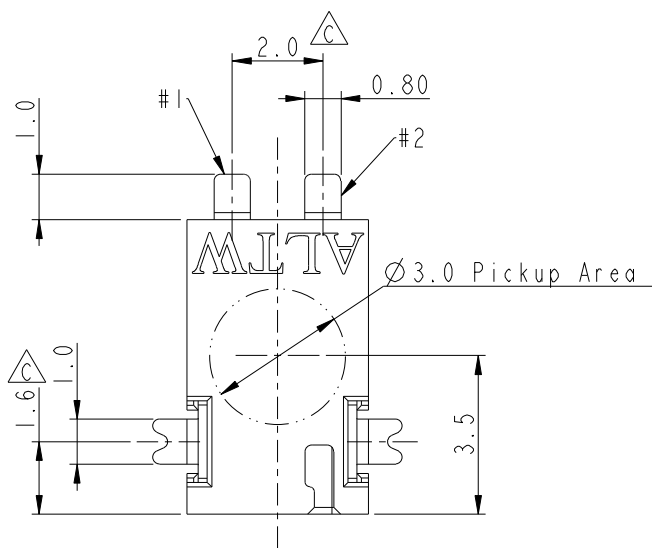


THIS DOCUMENT IS SUBJECT TO CHANGE WITHOUT NOTICE. IT IS CONFIDENTIAL AND A PROPERTY OF Amphenol LTW. DISCLOSURE TO THIRD PARTY HAS TO BE AUTHORIZED BY Amphenol LTW.

| REV. | ECN NO. | DATE | SIGN | DESCRIPTION |
|------|------------|------------|-------------|-------------------------------|
| C | LE313C0104 | 2013-12-16 | Fisher | Change Plating and Dimensions |
| D | CI91496 | 2019-08-29 | NianPing Yu | Add UL Label |
| E | CI92063 | 2019-12-02 | NianPing Yu | FXI |



RECOMMENDED P.C.B. LAYOUT
GENERAL TOLERANCE IS ±0.05

- Notes:
- * Important Dimension To Check.
 - * Housing: High temperature thermoplastic. UL94V-0, color is Natural white.
 - * Terminal: Copper Alloy, Gold Plated on contact area. Tin plated on solder tails.
 - * Solder Peg: Copper Alloy, Tin plated over Nickel.

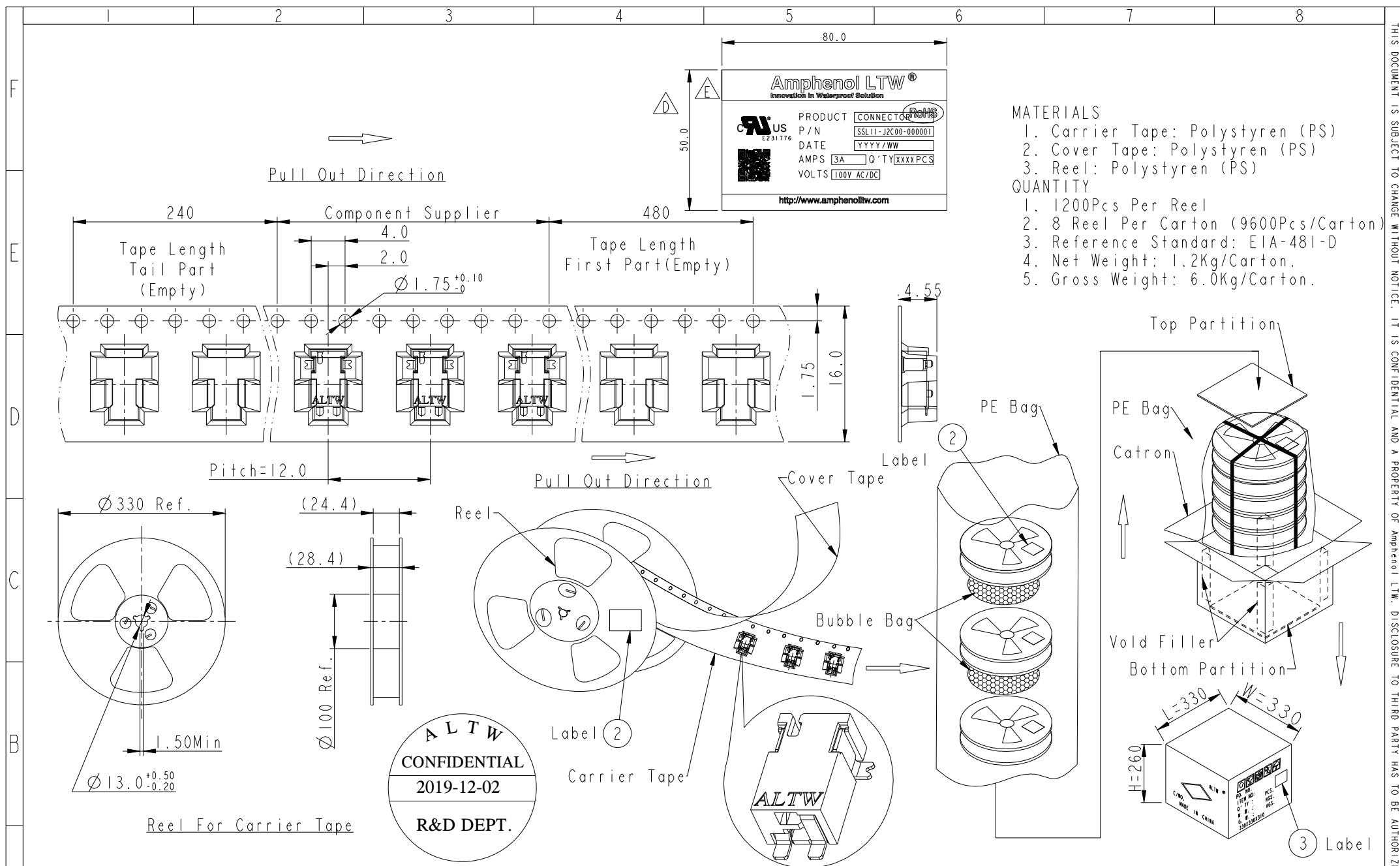
| | | |
|-----------|------|-------|
| UNIT: mm | | |
| TOLERANCE | .X | ±0.25 |
| | .XX | ±0.1 |
| | .XXX | ±0.05 |
| ANGLES | | ±1° |

| | | | |
|--|---------|-------------------|----|
| TITLE SSL-1.1 DC JACK CONNECTOR 2-POS. WITH POST, SMT TYPE | | | |
| SCALE | SIZE | SHEET | OF |
| 6:1 | A4 | 1 | 2 |
| REV. | WC-REV. | : Inspection item | |
| E | A.2 | | |

Amphenol LTW
安費諾亮泰企業股份有限公司

| | | |
|--------------------|-------------|------------|
| ITEM NO | DRWN BY | DATE |
| SSL11-J2C00-000001 | NianPing Yu | 2019-08-29 |
| DWG NO | CHEK BY | DATE |
| SSL11-J2C00-000001 | Fisher Wang | 2019-08-29 |
| CUSTOMER | APPROVED BY | DATE |
| ALTW | Max Yang | 2019-08-29 |

THIS DOCUMENT IS SUBJECT TO CHANGE WITHOUT NOTICE. IT IS CONFIDENTIAL AND A PROPERTY OF Amphenol LTW. DISCLOSURE TO THIRD PARTY HAS TO BE AUTHORIZED BY Amphenol LTW.



- MATERIALS**
1. Carrier Tape: Polystyren (PS)
 2. Cover Tape: Polystyren (PS)
 3. Reel: Polystyren (PS)
- QUANTITY**
1. 1200Pcs Per Reel
 2. 8 Reel Per Carton (9600Pcs/Carton)
 3. Reference Standard: EIA-481-D
 4. Net Weight: 1.2Kg/Carton.
 5. Gross Weight: 6.0Kg/Carton.

ALTW
CONFIDENTIAL
 2019-12-02
R&D DEPT.

| | | | | | | |
|---|--|---|--|--------------------------------------|--------------------------------|-------------------------------------|
| UNIT:mm TOLERANCE .X ±0.25 .XX ±0.1 .XXX ±0.05 ANGLES ±1° | | TITLE SSL-1.1 DC JACK CONNECTOR 2-POS. WITH POST, SMT TYPE | <h1 style="margin: 0;">Amphenol LTW</h1> <p style="margin: 0;">安費諾亮泰企業股份有限公司</p> | ITEM NO SSL11-J2C00-000001 | DRAWN BY NianPing Yu | DATE 2019-08-29 |
| | | SCALE 5:1 | | SIZE A4 | SHEET 2 OF 2 | DWG NO SSL11-J2C00-000001 |
| REV. E WC-REV. A.8 QC : Inspection item | | | | CUSTOMER ALTW | APPROVED BY Max Yang | DATE 2019-08-29 |