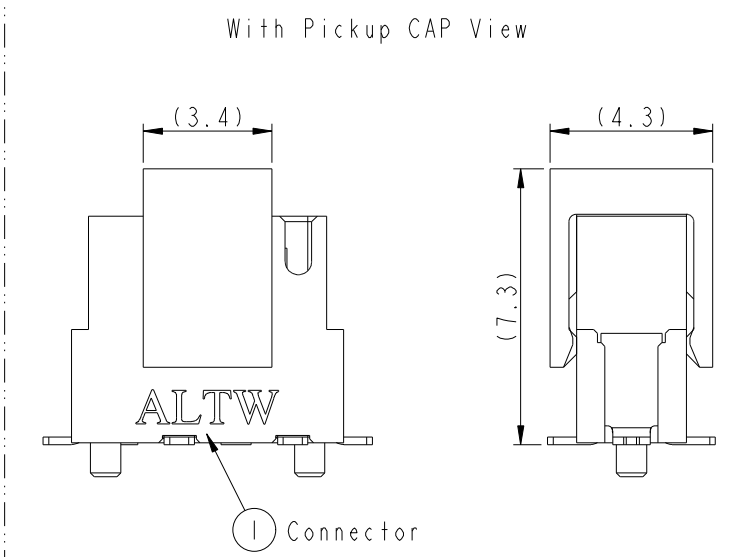
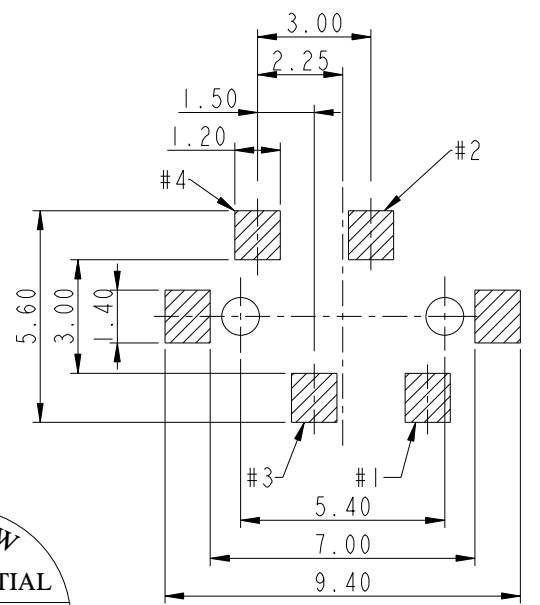
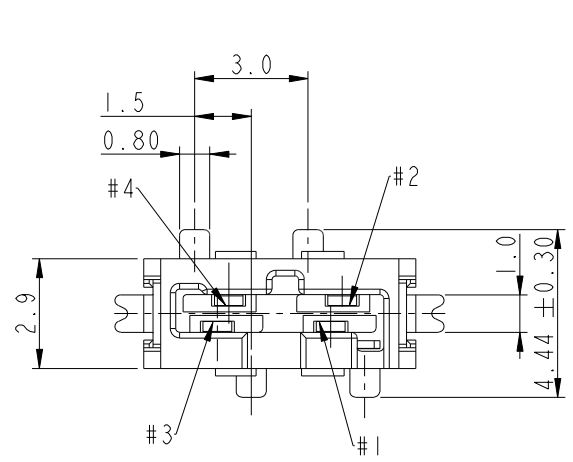


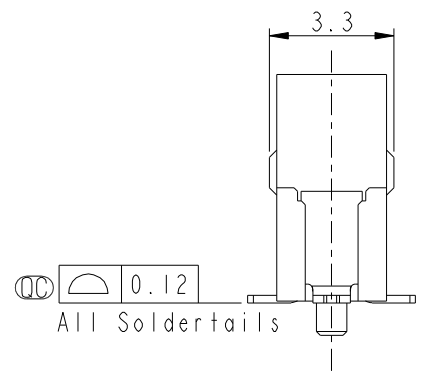
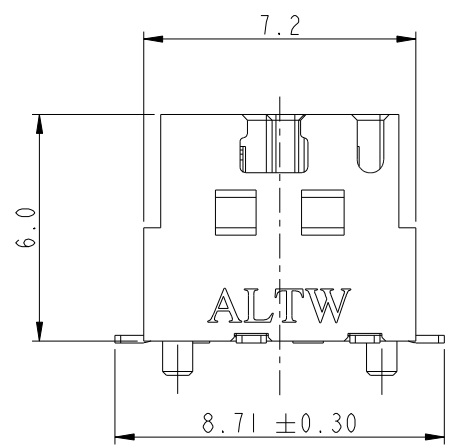
THIS DOCUMENT IS SUBJECT TO CHANGE WITHOUT NOTICE. IT IS CONFIDENTIAL AND A PROPERTY OF Amphenol LTW. DISCLOSURE TO THIRD PARTY HAS TO BE AUTHORIZED BY Amphenol LTW.

| REV. | ECN NO. | DATE | SIGN | DESCRIPTION |
|------|---------|------------|-------------|--------------|
| B | CI91496 | 2019-08-27 | NianPing Yu | Add UL Label |
| C | CI92063 | 2019-12-03 | NianPing Yu | △XI |



ALTW
CONFIDENTIAL
2019-12-03
R&D DEPT.

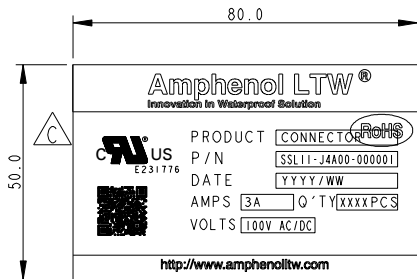
RECOMMENDED P.C.B. LAYOUT
GENERAL TOLERANCE IS ±0.05



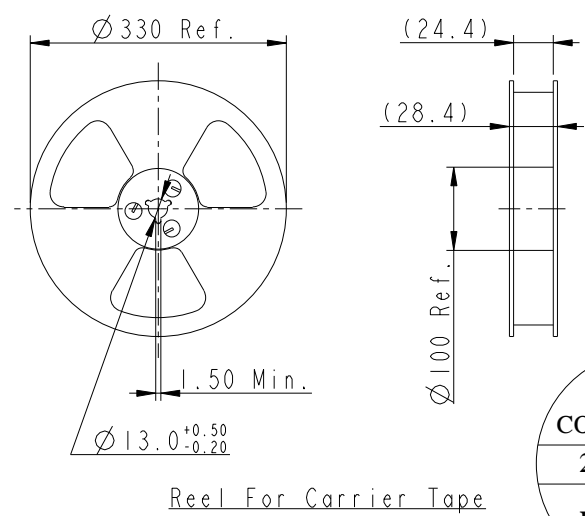
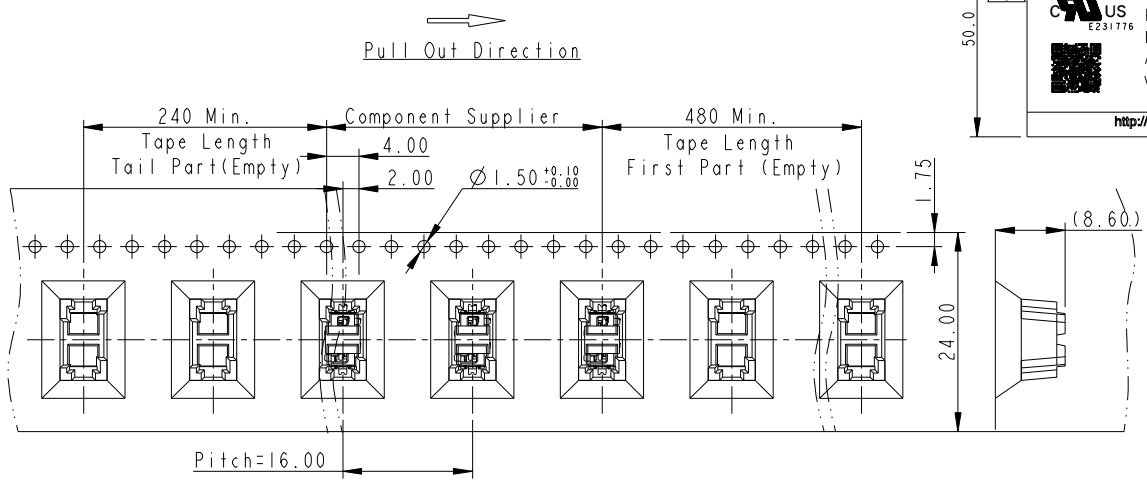
- Notes:
- * ① Important Dimension To Check.
 - * Housing: High temperature thermoplastic. UL94V-0, color is Natural white.
 - * Pickup Cap: High temperature thermoplastic. UL94V-0, color is Natural white.
 - * Terminal: Copper Alloy, Gold Plated on contact area. Tin plated on solder tails.
 - * Solder Peg: Copper Alloy, Tin plated over Nickel.

| | | | | | | | |
|---------|--|---|----------------|--|-------------------------------|-------------------------|------------------------------|
| UNIT:mm | | TITLE SSL-1.1 DC 4P JACK CONN, WITH POST,S/T,SMT TYPE | | <h1 style="margin: 0;">Amphenol LTW</h1> <p style="margin: 0;">安費諾亮泰企業股份有限公司</p> | ITEM NO SSL11-J4A00-000001 | DRAWN BY NianPing Yu | DATE 2019-08-27 |
| | | TOLERANCE .X ±0.25 .XX ±0.1 .XXX ±0.05 ANGLES ±1° | SCALE 5:1 | | SIZE A4 | SHEET 1 OF 2 | DWG NO SSL11-J4A00-000001 |
| | | REV. C | WC-REV. A.3 | ①: Inspection item | CUSTOMER ALTW | APPROVED BY Max Yang | DATE 2019-08-27 |

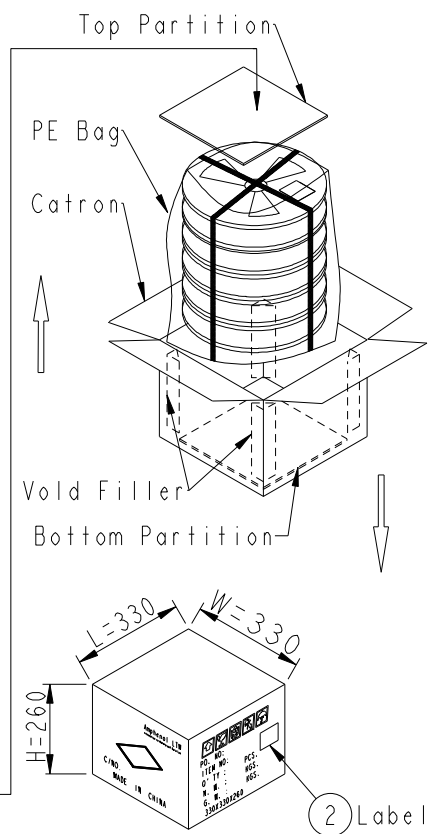
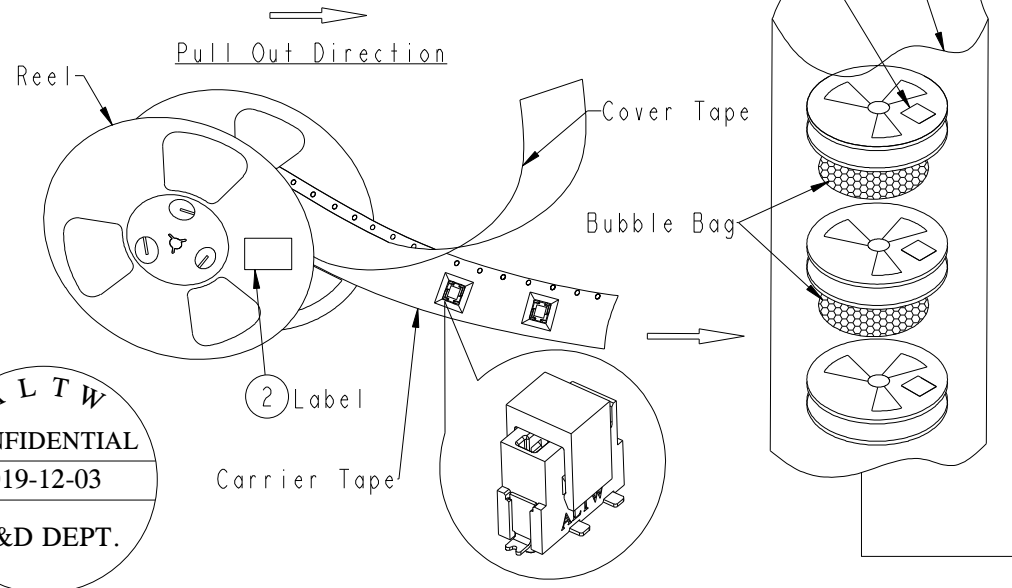
THIS DOCUMENT IS SUBJECT TO CHANGE WITHOUT NOTICE. IT IS CONFIDENTIAL AND A PROPERTY OF Amphenol LTW. DISCLOSURE TO THIRD PARTY HAS TO BE AUTHORIZED BY Amphenol LTW.



- MATERIALS**
1. Carrier Tape: Polystyren (PS)
 2. Cover Tape: Polystyren (PS)
 3. Reel: Polystyren (PS)
- QUANTITY**
1. 400Pcs Per Reel
 2. 8 Reel Per Carton (3200Pcs/Carton)
 3. Reference Standard: EIA-481-D
 4. Net Weight: 0.7Kg/Carton.
 5. Gross Weight: 4.1kg/Carton.



ALTW
 CONFIDENTIAL
 2019-12-03
 R&D DEPT.



| | | | | | |
|-----------|-------|--------------------|--|---------|-----|
| UNIT: mm | | TITLE | SSL-1.1 DC 4P JACK CONN, WITH POST,S/T,SMT TYPE | | |
| TOLERANCE | | SCALE | 5:1 | SIZE | A4 |
| .X | ±0.25 | REV. | C | WC-REV. | A.5 |
| .XX | ±0.1 | SHEET 2 OF 2 | | | |
| .XXX | ±0.05 | ◎: Inspection item | | | |
| ANGLES | ±1° | | | | |

Amphenol LTW
 安費諾亮泰企業股份有限公司

| | | | | | |
|----------|--------------------|-------------|-------------|------|------------|
| ITEM NO | SSL11-J4A00-000001 | DRAWN BY | NianPing Yu | DATE | 2019-08-27 |
| DWG NO | SSL11-J4A00-000001 | CHECKED BY | Fisher Wang | DATE | 2019-08-27 |
| CUSTOMER | ALTW | APPROVED BY | Max Yang | DATE | 2019-08-27 |