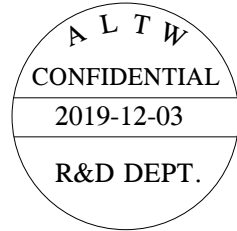
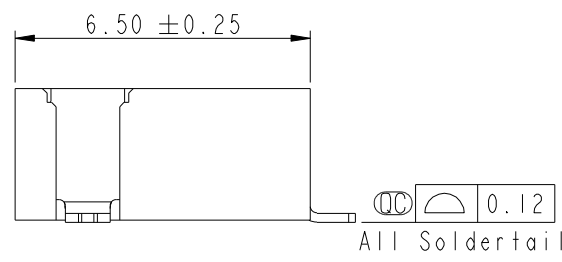
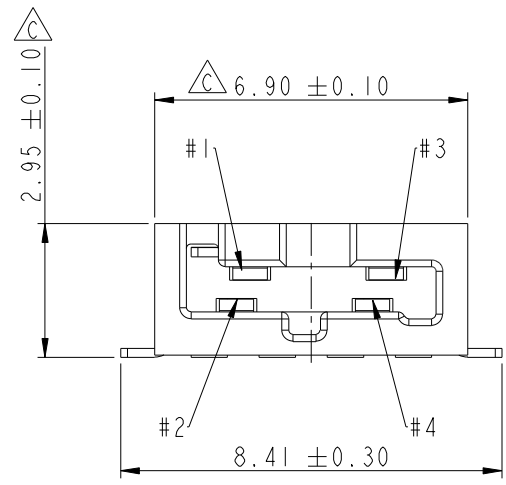
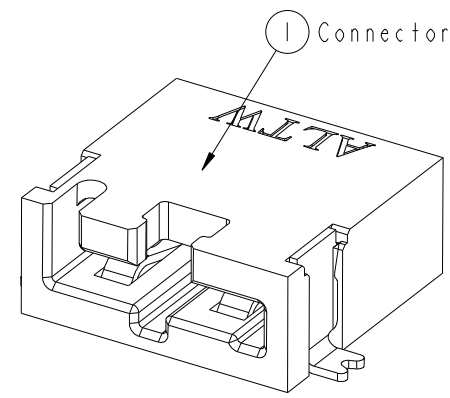
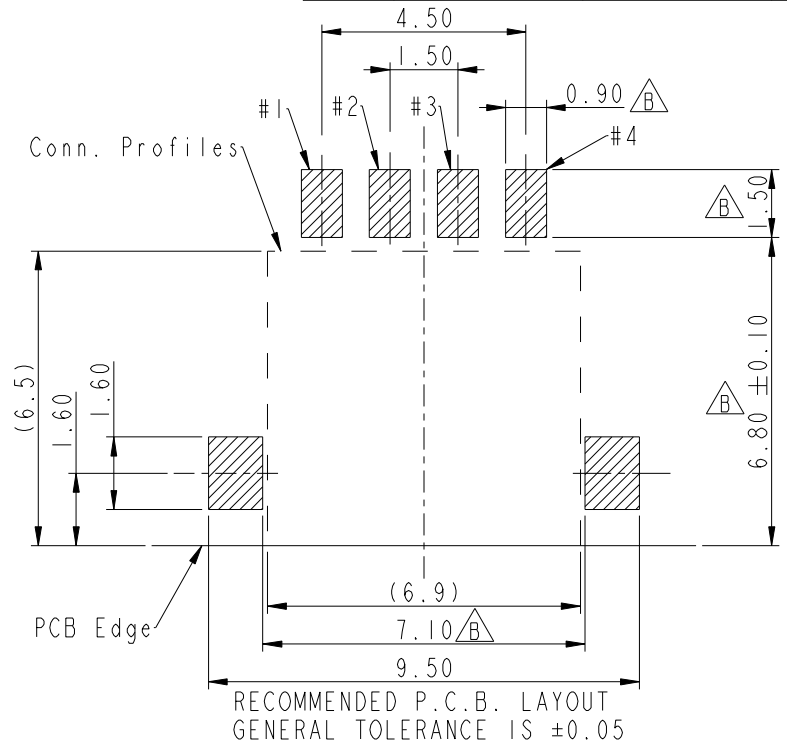
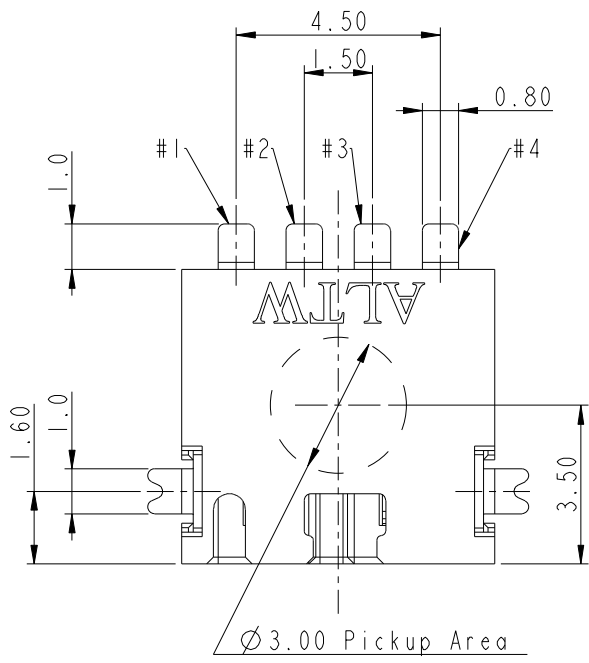


THIS DOCUMENT IS SUBJECT TO CHANGE WITHOUT NOTICE. IT IS CONFIDENTIAL AND A PROPERTY OF Amphenol LTW. DISCLOSURE TO THIRD PARTY HAS TO BE AUTHORIZED BY Amphenol LTW.

REV.	ECN NO.	DATE	SIGN	DESCRIPTION
C	LE313C0108	2013-12-16	Fisher	Change Plating and Package
D	CI91496	2019-08-29	NianPing Yu	Add UL Label
E	CI92063	2019-12-03	NianPing Yu	EXI



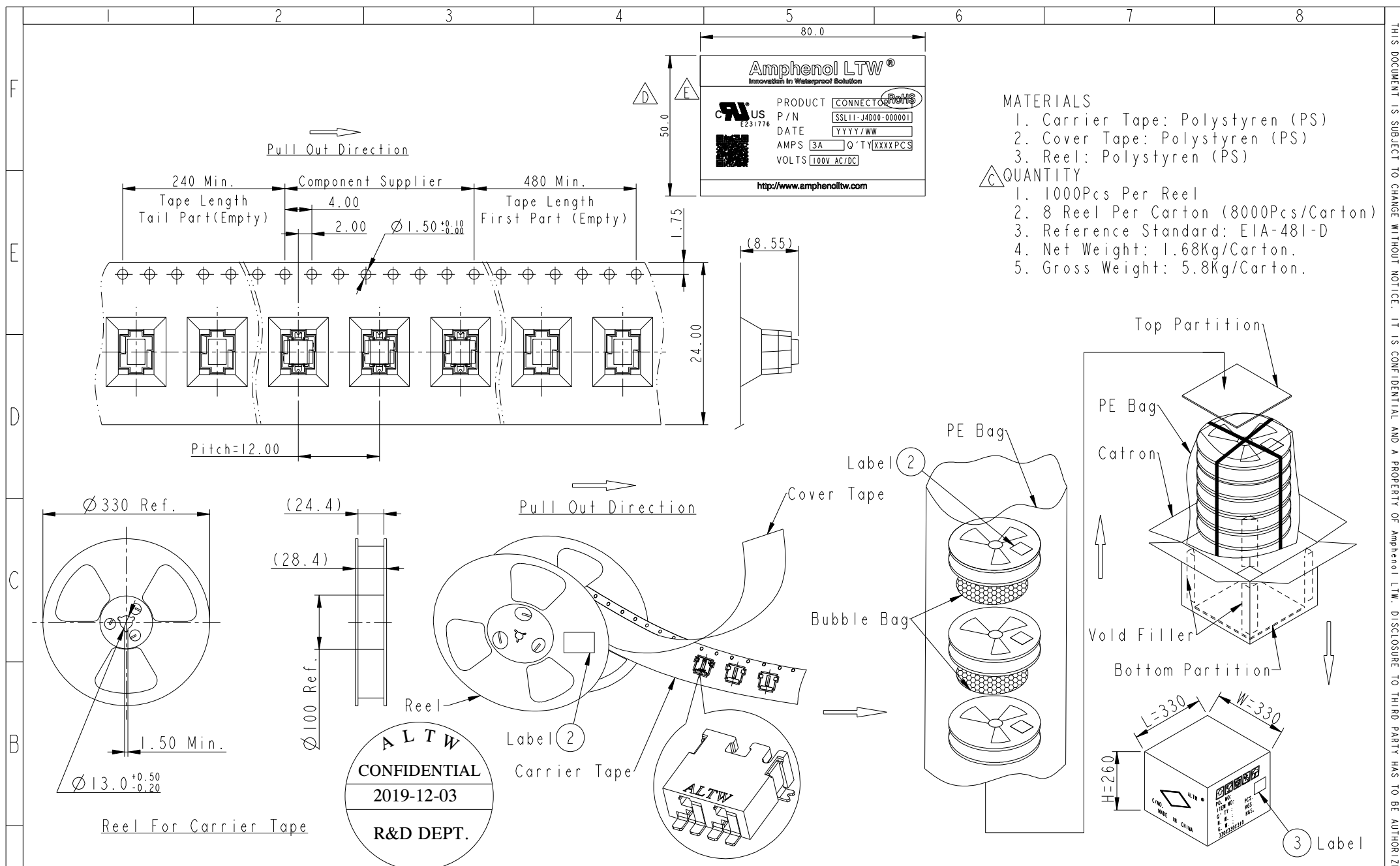
- Notes:
- * Important Dimension To Check.
 - * Housing: High temperature thermoplastic. UL94V-0, color is Natural white.
 - * Terminal: Copper Alloy, Gold Plated on contact area. Tin plated on solder tails.
 - * Solder Peg: Copper Alloy, Tin plated over Nickel.

UNIT: mm			TITLE SSL-1.1 DC JACK CONNECTOR 4-POS. W/O POST, SMT TYPE
TOLERANCE .X ±0.25 .XX ±0.1 .XXX ±0.05 ANGLES ±1°	SCALE 6:1	SIZE A4	SHEET 1 OF 2
REV. E	WC-REV. C.3		Inspection item

Amphenol LTW
安費諾亮泰企業股份有限公司

ITEM NO. SSL11-J4D00-000001	DRAWN BY NianPing Yu	DATE 2019-08-29
DWG NO. SSL11-J4D00-000001	CHECKED BY Fisher Wang	DATE 2019-08-29
CUSTOMER ALTW	APPROVED BY Max Yang	DATE 2019-08-29

THIS DOCUMENT IS SUBJECT TO CHANGE WITHOUT NOTICE. IT IS CONFIDENTIAL AND A PROPERTY OF Amphenol LTW. DISCLOSURE TO THIRD PARTY HAS TO BE AUTHORIZED BY Amphenol LTW.

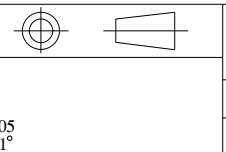


MATERIALS

1. Carrier Tape: Polystyren (PS)
 2. Cover Tape: Polystyren (PS)
 3. Reel: Polystyren (PS)
- QUANTITY**
1. 1000Pcs Per Reel
 2. 8 Reel Per Carton (8000Pcs/Carton)
 3. Reference Standard: EIA-481-D
 4. Net Weight: 1.68Kg/Carton.
 5. Gross Weight: 5.8Kg/Carton.

UNIT:mm

TOLERANCE	
.X	±0.25
.XX	±0.1
.XXX	±0.05
ANGLES	±1°



TITLE SSL-1.1 DC JACK CONNECTOR 4-POS. W/O POST, SMT TYPE			
SCALE	5:1	SIZE	A4
REV.	E	WC-REV.	C.3
		SHEET	2 OF 2
QC: Inspection item			

Amphenol LTW
安費諾亮泰企業股份有限公司

ITEM NO	SSL11-J4D00-000001	DRAWN BY	NianPing Yu	DATE	2019-08-29
DWG NO	SSL11-J4D00-000001	CHECKED BY	Fisher Wang	DATE	2019-08-29
CUSTOMER	ALTW	APPROVED BY	Max Yang	DATE	2019-08-29