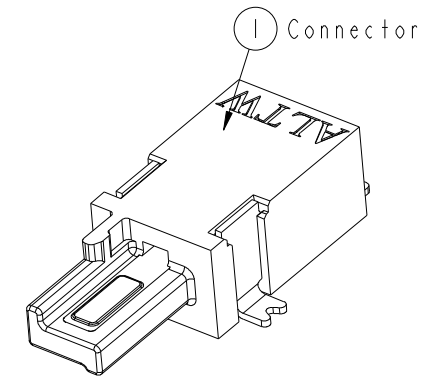
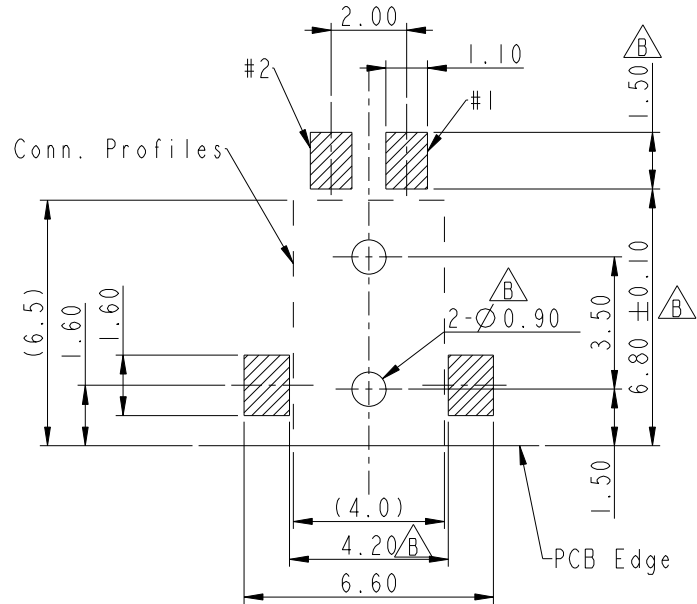
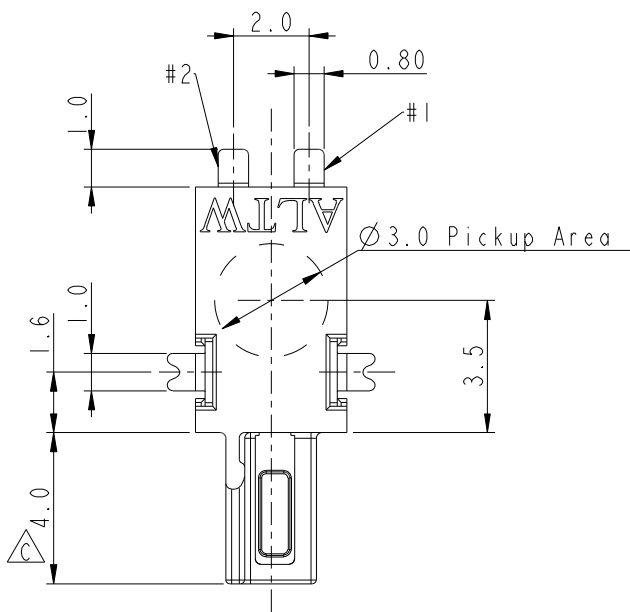
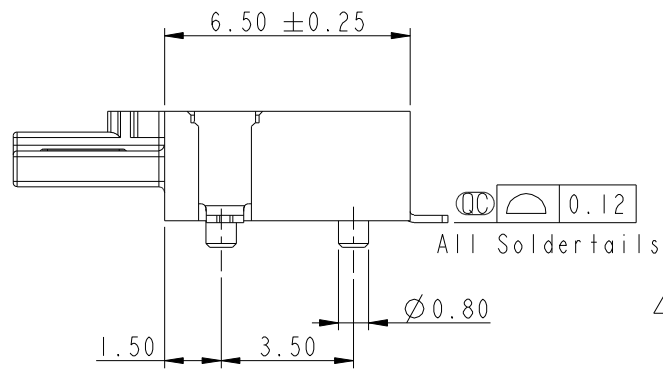
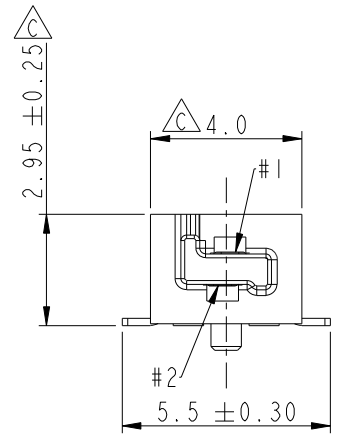
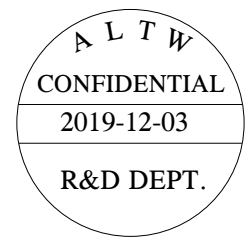


THIS DOCUMENT IS SUBJECT TO CHANGE WITHOUT NOTICE. IT IS CONFIDENTIAL AND A PROPERTY OF Amphenol LTW. DISCLOSURE TO THIRD PARTY HAS TO BE AUTHORIZED BY Amphenol LTW.

REV.	ECN NO.	DATE	SIGN	DESCRIPTION
C	LE313C0098	2013-12-16	Fisher	Change Plating and Package
D	C191496	2019-08-30	NianPing Yu	Add UL Label
E	C192063	2019-12-03	NianPing Yu	EXI



RECOMMENDED P.C.B. LAYOUT  
GENERAL TOLERANCE IS ±0.05



- Notes:
- \*  $\text{⊘}$  Important Dimension To Check.
  - \* Housing: High temperature thermoplastic. UL94V-0, color is Natural white.
  - \* Terminal: Copper Alloy, Gold Plated on contact area. Tin plated on solder tails.
  - \* Solder Peg: Copper Alloy, Tin plated over Nickel.

UNIT: mm	$\text{⊘}$	$\text{⊘}$
TOLERANCE	±0.25	
.X	±0.1	
.XX	±0.05	
.XXX	±0.05	
ANGLES	±1°	

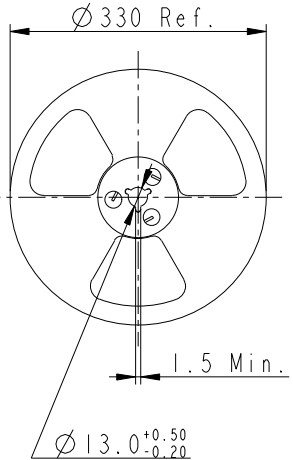
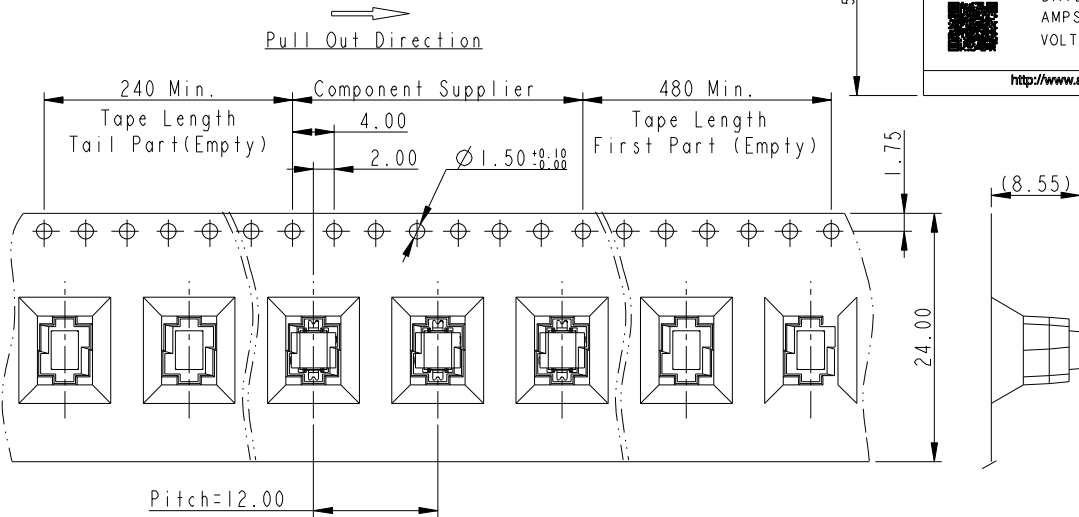
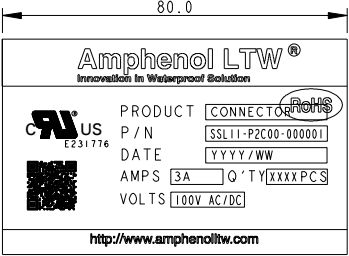
TITLE SSL-1.1 DC PLUG CONNECTOR 2-POS. WITH POST, SMT TYPE			
SCALE 5:1	SIZE A4	SHEET 1 OF 2	
REV. E	WC-REV. C.9	$\text{⊘}$ : Inspection item	

**Amphenol LTW**  
安費諾亮泰企業股份有限公司

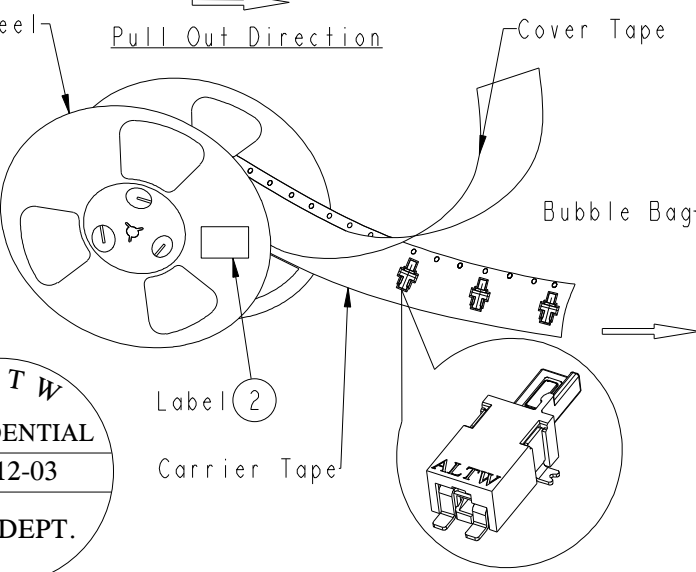
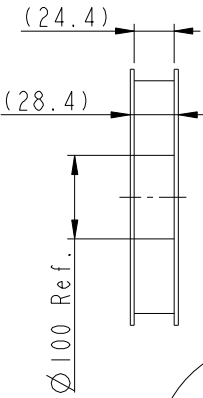
ITEM NO SSL11-P2C00-000001	DRAWN BY NianPing Yu	DATE 2019-08-30
DWG NO SSL11-P2C00-000001	CHECKED BY Fisher Wang	DATE 2019-08-30
CUSTOMER ALTW	APPROVED BY Max Yang	DATE 2019-08-30

THIS DOCUMENT IS SUBJECT TO CHANGE WITHOUT NOTICE. IT IS CONFIDENTIAL AND A PROPERTY OF Amphenol LTW. DISCLOSURE TO THIRD PARTY HAS TO BE AUTHORIZED BY Amphenol LTW.

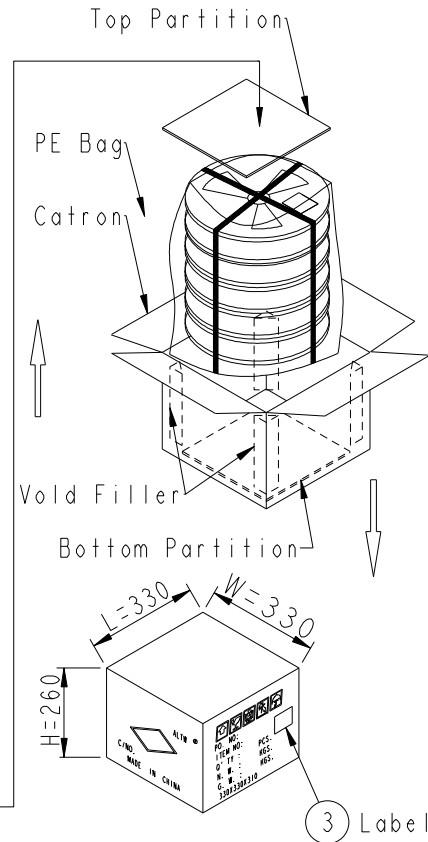
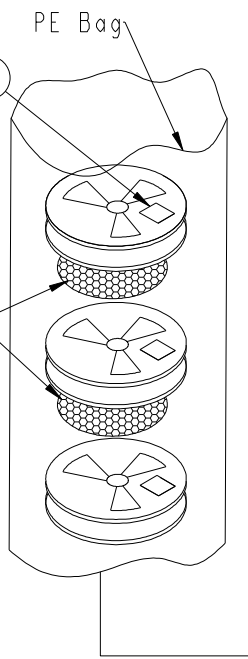
- MATERIALS**
- Carrier Tape: Polystyren (PS)
  - Cover Tape: Polystyren (PS)
  - Reel: Polystyren (PS)
- QUANTITY**
- 1200Pcs Per Reel
  - 8 Reel Per Carton (9600Pcs/Carton)
  - Reference Standard: EIA-481-D
  - Net Weight: 1.7Kg/Carton.
  - Gross Weight: 6.9Kg/Carton.



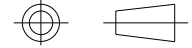
Reel For Carrier Tape



**ALTW**  
 CONFIDENTIAL  
 2019-12-03  
 R&D DEPT.



UNIT:mm



TITLE  
SSL-1.1 DC PLUG CONNECTOR  
2-POS. WITH POST, SMT TYPE

**Amphenol LTW**

ITEM NO  
SSL11-P2C00-000001

DRAWN BY  
NianPing Yu

DATE  
2019-08-30

TOLERANCE  
.X ±0.25  
.XX ±0.1  
.XXX ±0.05  
ANGLES ±1°

SCALE 5:1 SIZE A4 SHEET 2 OF 2

安費諾亮泰企業股份有限公司

DWG NO  
SSL11-P2C00-000001

CHECKED BY  
Fisher Wang

DATE  
2019-08-30

REV. E WC-REV. A.8



Inspection item

CUSTOMER  
ALTW

APPROVED BY  
Max Yang

DATE  
2019-08-30