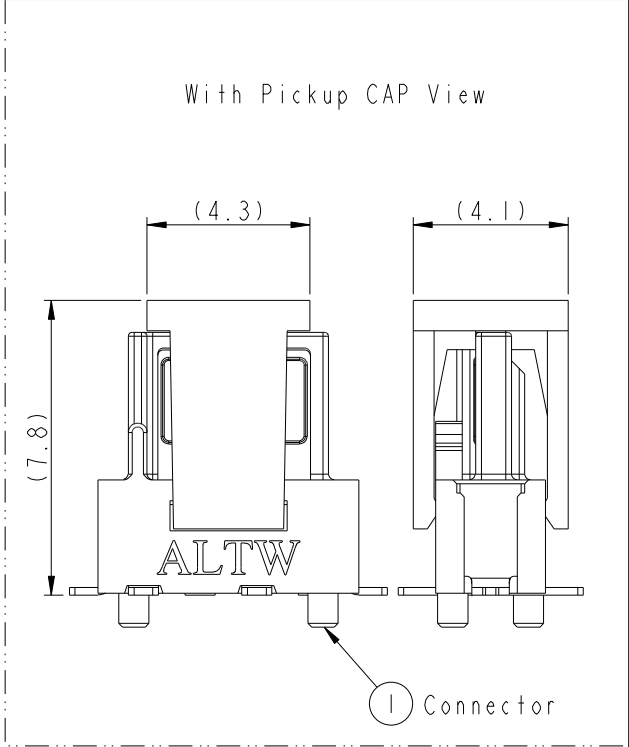
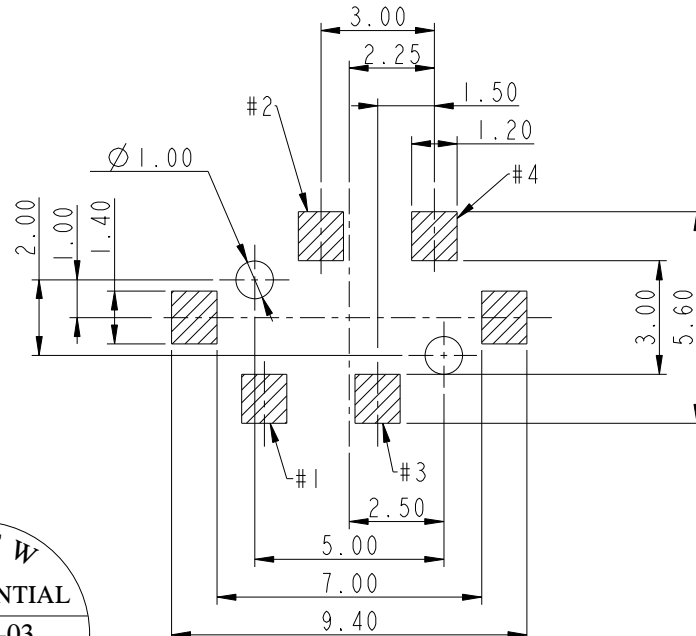
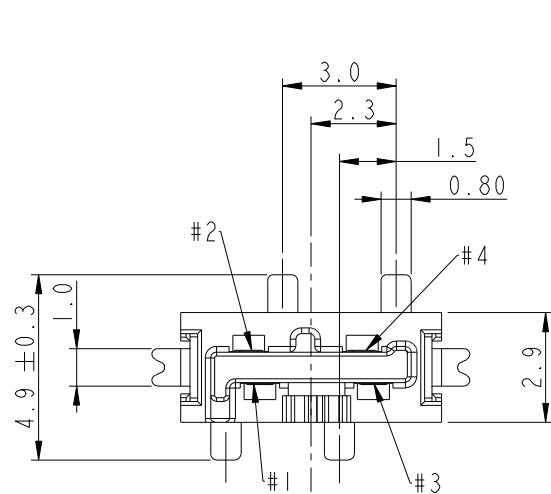
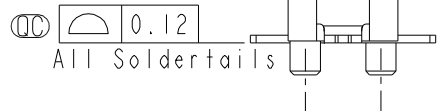
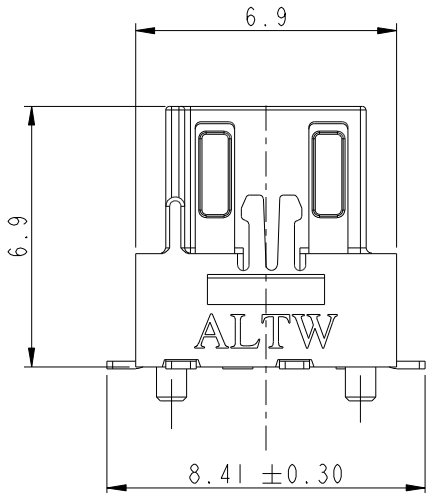


REV.	ECN NO.	DATE	SIGN	DESCRIPTION
B	CI91496	2019-08-29	NianPing Yu	Add UL label
C	CI92063	2019-12-03	NianPing Yu	△XI



ALTW
 CONFIDENTIAL
 2019-12-03
 R&D DEPT.

RECOMMENDED P.C.B. LAYOUT
 GENERAL TOLERANCE IS ±0.05

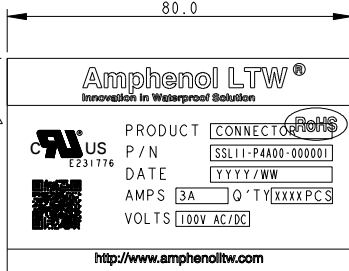


- Notes:
- * (CC) Important Dimension To Check.
 - * Housing: High temperature thermoplastic. UL94V-0, color is Natural white.
 - * Pickup Cap: High temperature thermoplastic. UL94V-0, color is Black.
 - * Terminal: Copper Alloy, Gold Plated on contact area. Tin plated on solder tails.
 - * Solder Peg: Copper Alloy, Tin plated over Nickel.

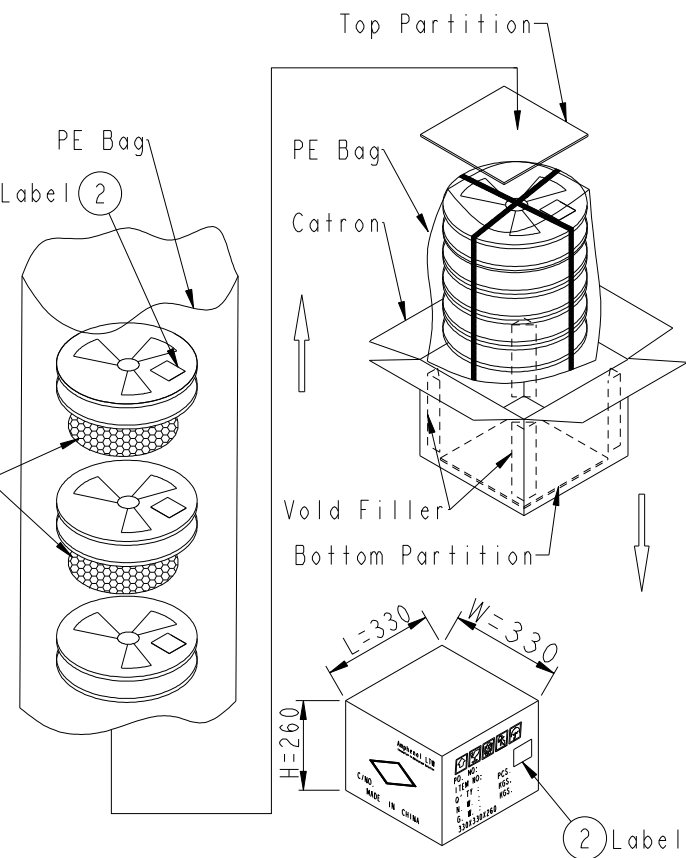
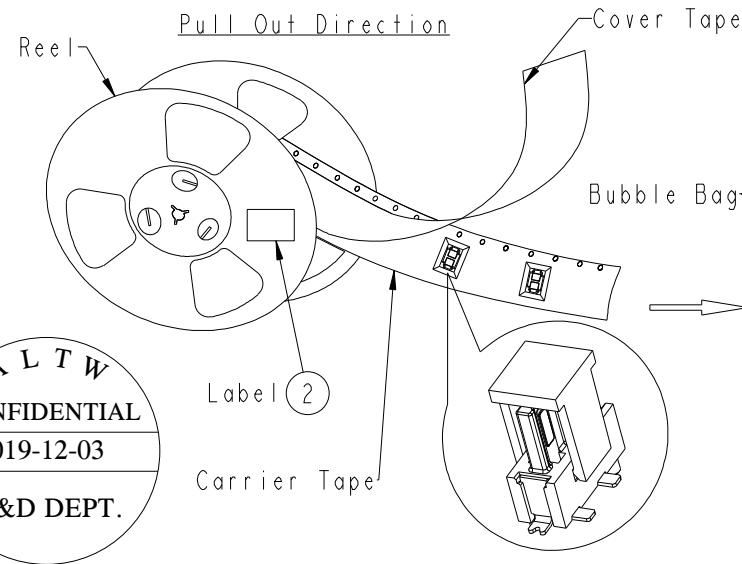
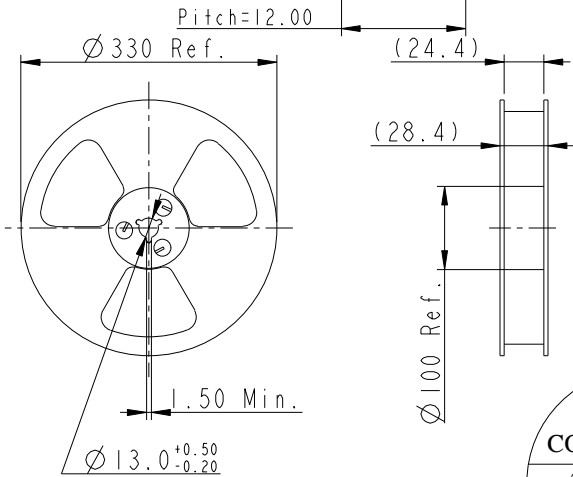
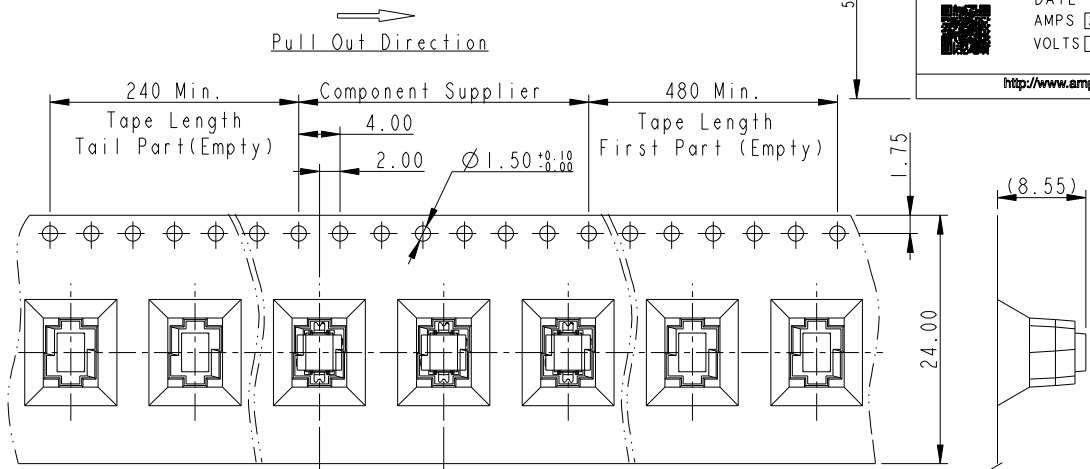
UNIT:mm TOLERANCE .X ±0.25 .XX ±0.1 .XXX ±0.05 ANGLES ±1°		TITLE SSL-1.1 DC 4P PLUG CONN, WITH POST,S/T,SMT TYPE		<h1>Amphenol LTW</h1> <h2>安費諾亮泰企業股份有限公司</h2>		ITEM NO SSL11-P4A00-000001	DRAWN BY NianPing Yu	DATE 2019-08-29	
		SCALE 5:1	SIZE A4	SHEET 1 OF 2	DWG NO SSL11-P4A00-000001	CHECKED BY Fisher Wang	DATE 2019-08-29	CUSTOMER ALTW	APPROVED BY Max Yang
REV. C		WC-REV. A.3	(CC) Inspection item						

THIS DOCUMENT IS SUBJECT TO CHANGE WITHOUT NOTICE. IT IS CONFIDENTIAL AND A PROPERTY OF Amphenol LTW. DISCLOSURE TO THIRD PARTY HAS TO BE AUTHORIZED BY Amphenol LTW.

THIS DOCUMENT IS SUBJECT TO CHANGE WITHOUT NOTICE. IT IS CONFIDENTIAL AND A PROPERTY OF Amphenol LTW. DISCLOSURE TO THIRD PARTY HAS TO BE AUTHORIZED BY Amphenol LTW.



- MATERIALS**
1. Carrier Tape: Polystyren (PS)
 2. Cover Tape: Polystyren (PS)
 3. Reel: Polystyren (PS)
- QUANTITY**
1. 400Pcs Per Reel
 2. 8 Reel Per Carton (3200Pcs/Carton)
 3. Reference Standard: EIA-481-D
 4. Net Weight: 0.6Kg/Carton.
 5. Gross Weight: 4.0Kg/Carton.



ALTW
 CONFIDENTIAL
 2019-12-03
 R&D DEPT.

UNIT: mm		
TOLERANCE	.X ±0.25	
	.XX ±0.1	
	.XXX ±0.05	
ANGLES	±1°	

TITLE SSL-1.1 DC 4P PLUG CONN, WITH POST,S/T,SMT TYPE		
SCALE 5:1	SIZE A4	SHEET 2 OF 2
REV. C	WC-REV. A.2	QC: Inspection item

Amphenol LTW
 安費諾亮泰企業股份有限公司

ITEM NO SSL11-P4A00-000001	DRAWN BY NianPing Yu	DATE 2019-08-29
DWG NO SSL11-P4A00-000001	CHECKED BY Fisher Wang	DATE 2019-08-29
CUSTOMER ALTW	APPROVED BY Max Yang	DATE 2019-08-29