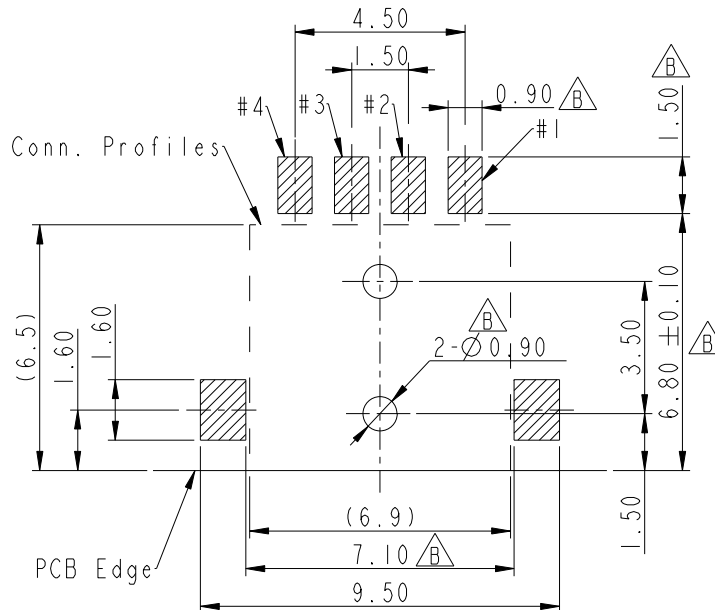
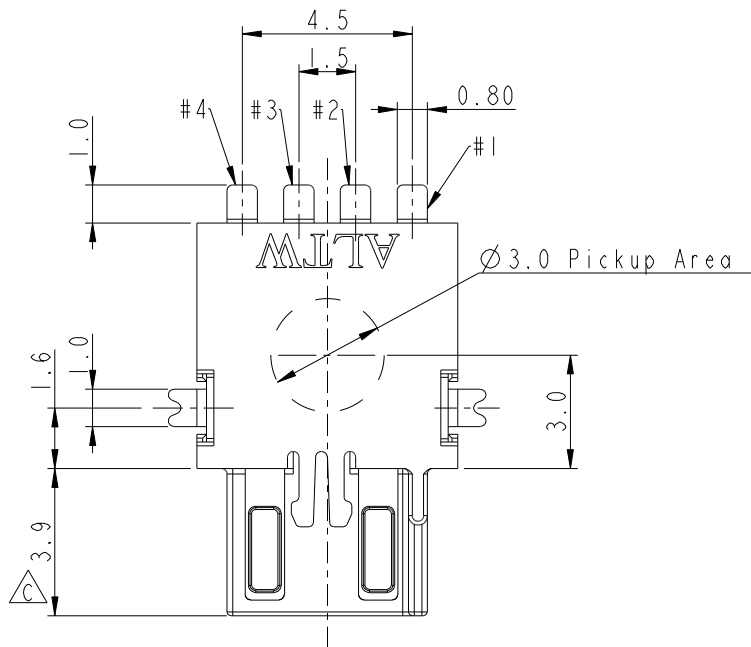
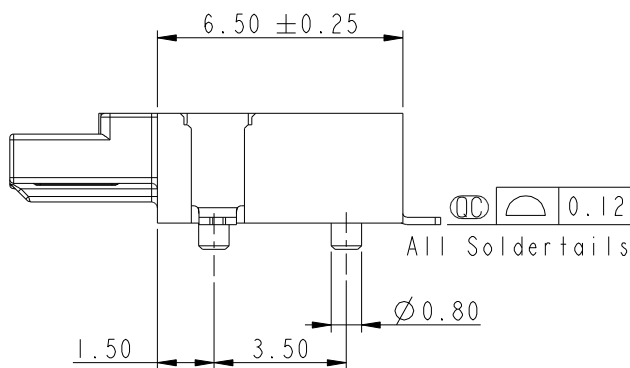
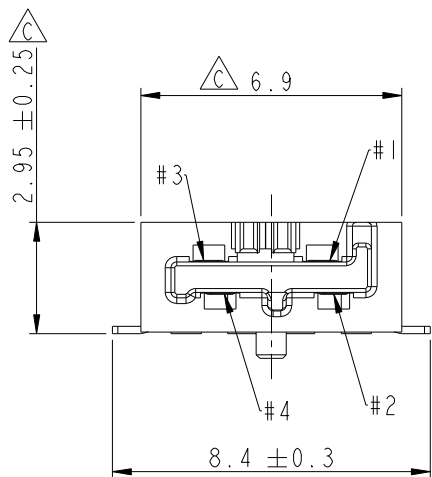
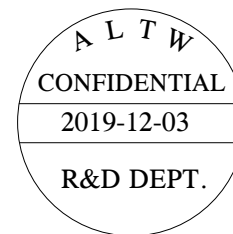
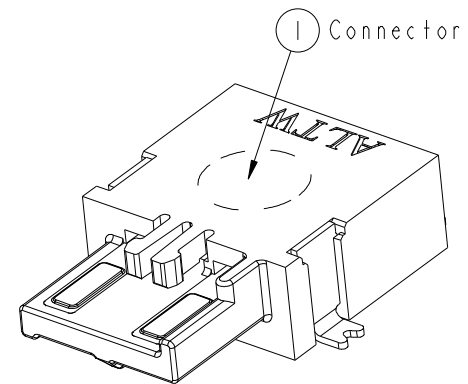


THIS DOCUMENT IS SUBJECT TO CHANGE WITHOUT NOTICE. IT IS CONFIDENTIAL AND A PROPERTY OF Amphenol LTW. DISCLOSURE TO THIRD PARTY HAS TO BE AUTHORIZED BY Amphenol LTW.

REV.	ECN NO.	DATE	SIGN	DESCRIPTION
C	LE313C0101	2013/12/26	Fisher	Change Plating and Package
D	CI91205	2019/07/29	NianPing Yu	Add UL label
E	CI92063	2019/12/03	NianPing Yu	EXI



RECOMMENDED P.C.B. LAYOUT
GENERAL TOLERANCE IS ± 0.05



Notes:

- * CC Important Dimension To Check.
- * Housing: High temperature thermoplastic. UL94V-0, color is Natural white.
- * Terminal: Copper Alloy, Gold Plated on contact area. Tin plated on solder tails.
- * Solder Peg: Copper Alloy, Tin plated over Nickel.

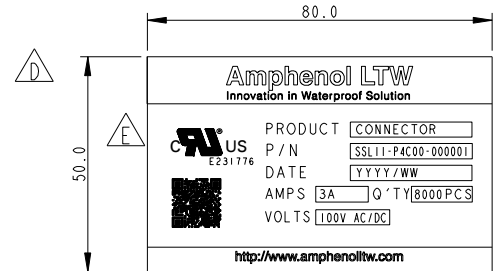
UNIT: mm		
TOLERANCE	.X	± 0.25
	.XX	± 0.1
	.XXX	± 0.05
	ANGLES	$\pm 1^\circ$

TITLE SSL-1.1 DC PLUG CONNECTOR 4-POS. WITH POST, SMT TYPE			
SCALE	SIZE	SHEET	OF
6:1	A4	1	2
REV.	WC-REV.	CC : Inspection item	
E	A.2		

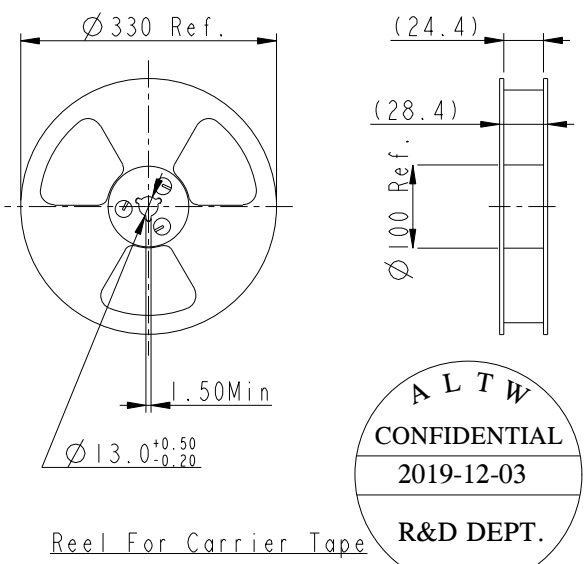
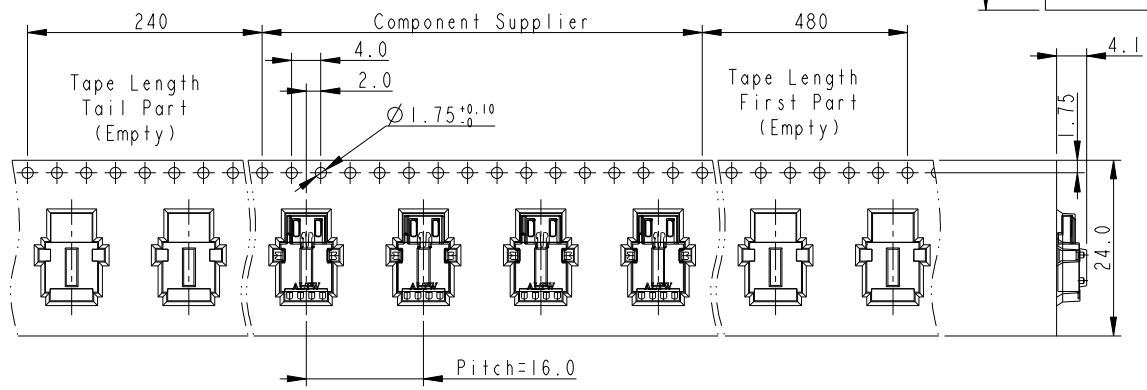
Amphenol LTW
安費諾亮泰企業股份有限公司

ITEM NO	SSL11-P4C00-000001	DRAWN BY	NianPing Yu	DATE	2019/07/29
DWG NO	SSL11-P4C00-000001	CHECKED BY	Fisher Wang	DATE	2019/07/29
CUSTOMER	ALTW	APPROVED BY	Max Yang	DATE	2019/07/29

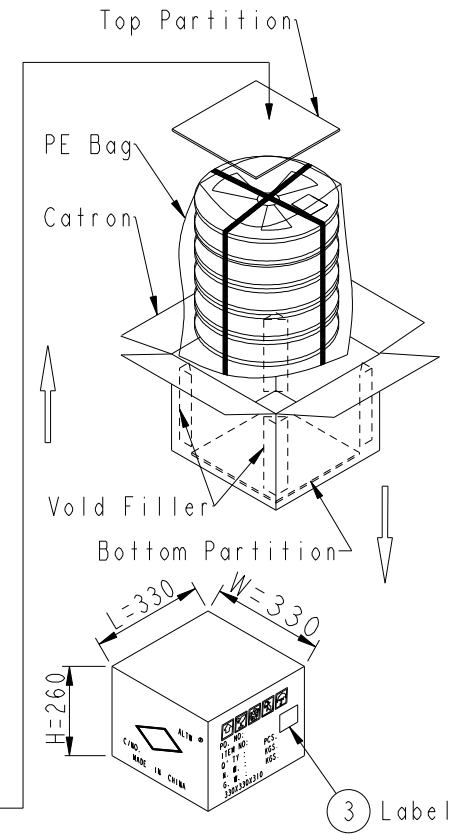
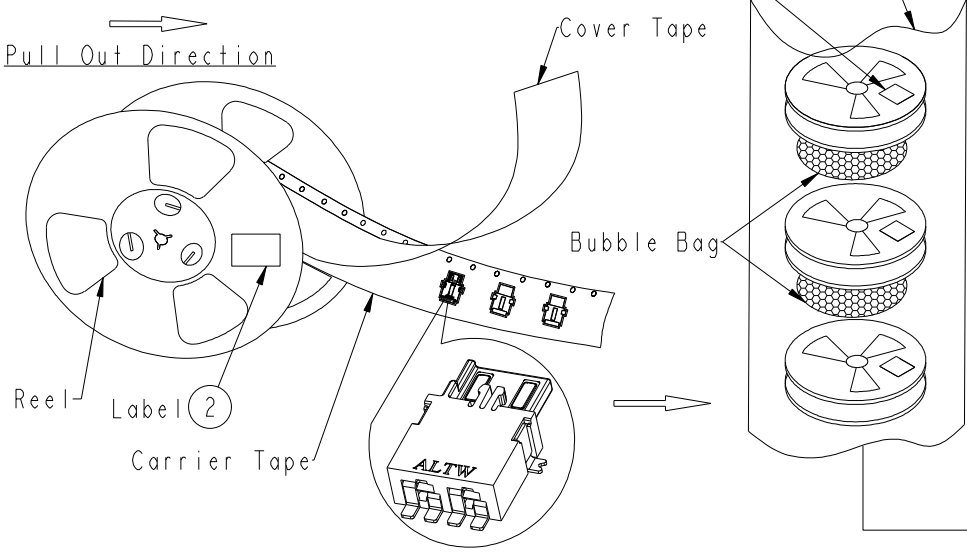
THIS DOCUMENT IS SUBJECT TO CHANGE WITHOUT NOTICE. IT IS CONFIDENTIAL AND A PROPERTY OF Amphenol LTW. DISCLOSURE TO THIRD PARTY HAS TO BE AUTHORIZED BY Amphenol LTW.



- MATERIALS**
- Carrier Tape: Polystyren (PS)
 - Cover Tape: Polystyren (PS)
 - Reel: Polystyren (PS)
- QUANTITY**
- 1000Pcs Per Reel
 - 8 Reel Per Carton (8000Pcs/Carton)
 - Reference Standard: EIA-481-D
 - Net Weight: 2.4Kg/Carton.
 - Gross Weight: 6.6Kg/Carton.



ALTW
CONFIDENTIAL
 2019-12-03
R&D DEPT.



UNIT:mm		
TOLERANCE .X ±0.25 .XX ±0.1 .XXX ±0.05 ANGLES ±1°		

TITLE SSL-1.1 DC PLUG CONNECTOR 4-POS. WITH POST, SMT TYPE			
SCALE	SIZE	SHEET 2 OF 2	
REV. E	WC-REV. A.2	QC: Inspection item	

Amphenol LTW
安費諾亮泰企業股份有限公司

ITEM NO	SSL11-P4C00-000001	DRAWN BY	NianPing Yu	DATE	2019/07/29
DWG NO	SSL11-P4C00-000001	CHECKED BY	Fisher Wang	DATE	2019/07/29
CUSTOMER	ALTW	APPROVED BY	Max Yang	DATE	2019/07/29