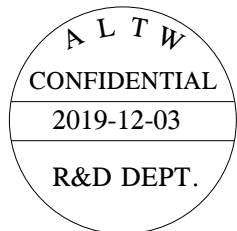
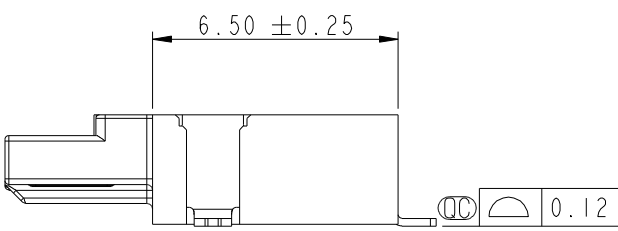
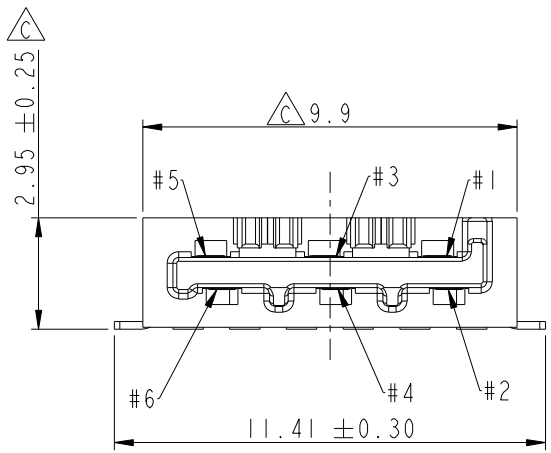
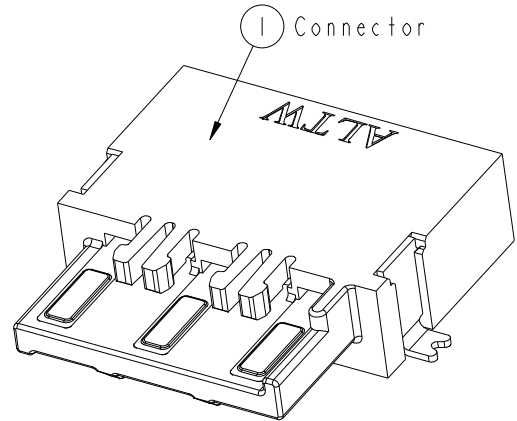
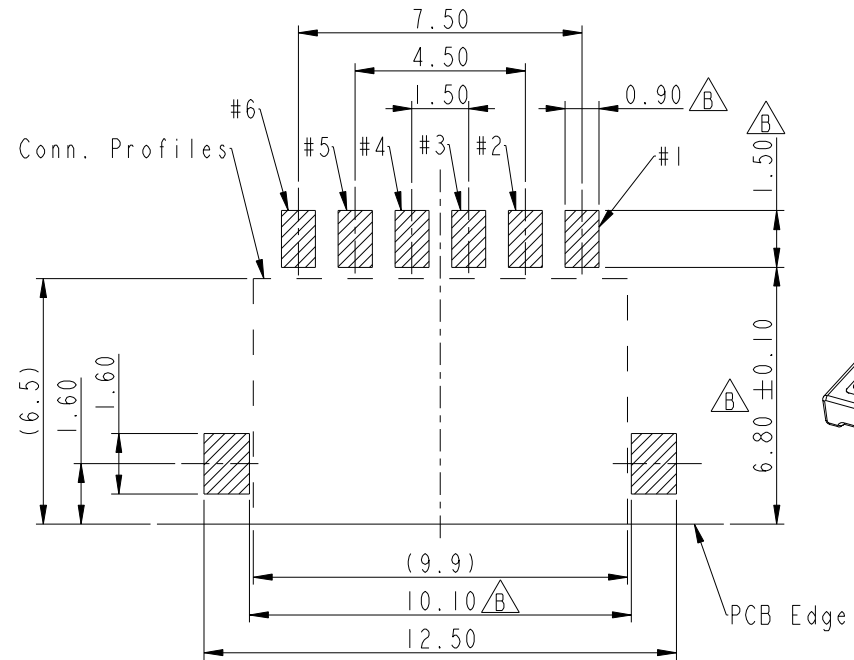
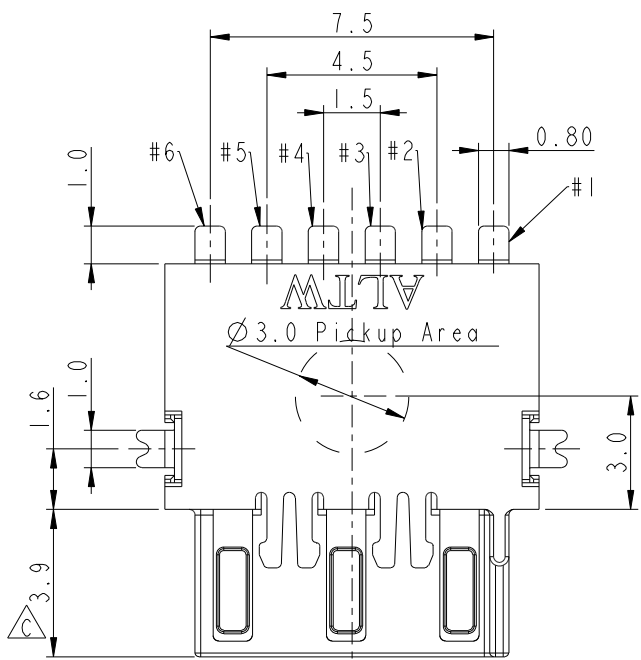


THIS DOCUMENT IS SUBJECT TO CHANGE WITHOUT NOTICE. IT IS CONFIDENTIAL AND A PROPERTY OF AMPHENOL LTW. DISCLOSURE TO THIRD PARTY HAS TO BE AUTHORIZED BY AMPHENOL LTW.

REV.	ECN NO.	DATE	SIGN	DESCRIPTION
C	LE313C0103	2013-12-16	Fisher	Change Plating and Package
D	CI91496	2019-08-29	NianPing Yu	Add UL Label
E	CI92063	2019-12-03	NianPing Yu	△E,XI



- Notes:
- \*  $\text{CC}$  Important Dimension To Check.
  - \* Housing: High temperature thermoplastic. UL94V-0, color is Natural white.
  - \* Terminal: Copper Alloy, Gold Plated on contact area. Tin plated on solder tails.
  - \* Solder Peg: Copper Alloy, Tin plated over Nickel.

UNIT: mm

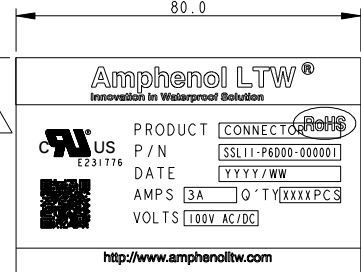
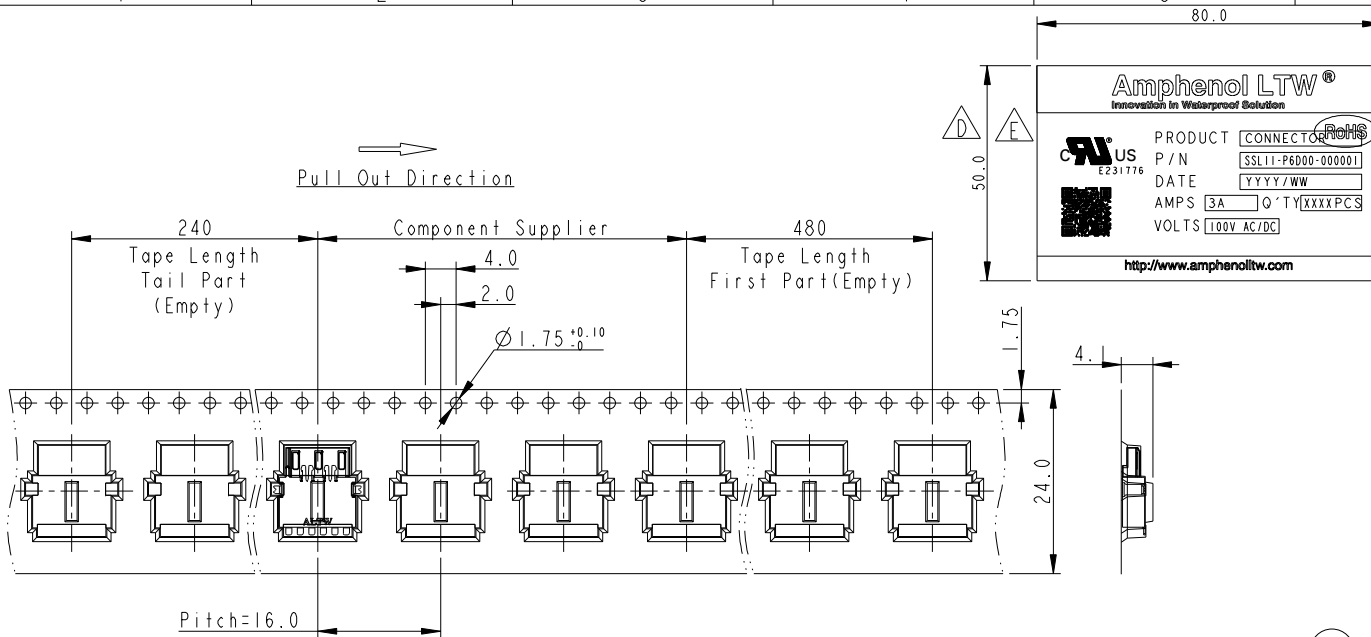
TOLERANCE	
.X	±0.25
.XX	±0.1
.XXX	±0.05
ANGLES	±1°

TITLE SSL-1.1 DC PLUG CONNECTOR 6-POS. W/O POST, SMT TYPE			
SCALE	SIZE	SHEET	OF
5:1	A4	1	2
REV.	WC-REV.	$\text{CC}$ : Inspection item	
E	C.3		

**Amphenol LTW**  
安費諾亮泰企業股份有限公司

ITEM NO	DRAWN BY	DATE
SSL11-P6D00-000001	NianPing Yu	2019-08-29
DWG NO	CHECKED BY	DATE
SSL11-P6D00-000001	Fisher Wang	2019-08-29
CUSTOMER	APPROVED BY	DATE
ALTW	Max Yang	2019-08-29

THIS DOCUMENT IS SUBJECT TO CHANGE WITHOUT NOTICE. IT IS CONFIDENTIAL AND A PROPERTY OF Amphenol LTW. DISCLOSURE TO THIRD PARTY HAS TO BE AUTHORIZED BY Amphenol LTW.

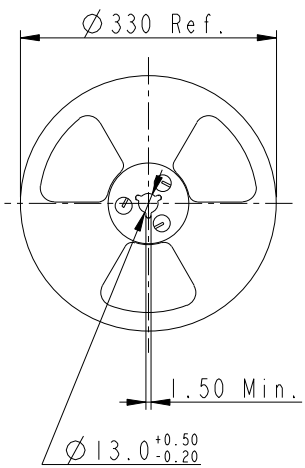


**MATERIALS**

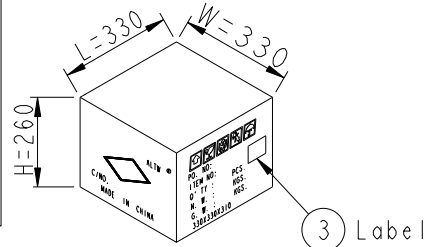
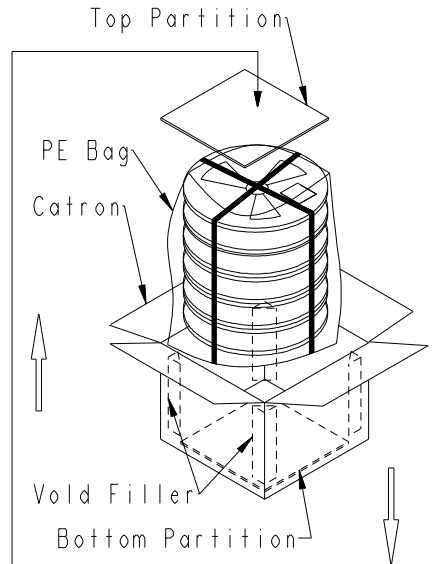
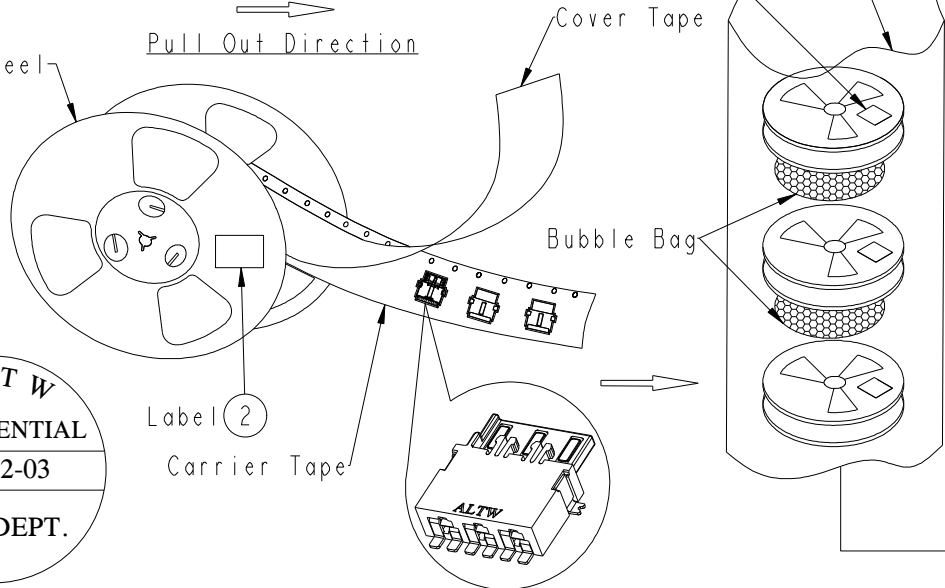
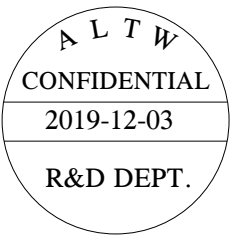
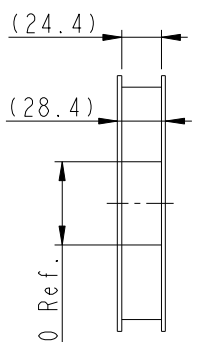
1. Carrier Tape: Polystyren (PS)
2. Cover Tape: Polystyren (PS)
3. Reel: Polystyren (PS)

**QUANTITY**

1. 1000Pcs Per Reel
2. 8 Reel Per Carton (8000Pcs/Carton)
3. Reference Standard: EIA-481-D
4. Net Weight: 3.5Kg/Carton.
5. Gross Weight: 7.7Kg/Carton.

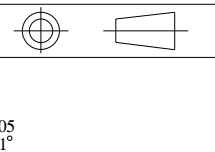


Reel For Carrier Tape



**UNIT:mm**

TOLERANCE	
.X	±0.25
.XX	±0.1
.XXX	±0.05
ANGLES	±1°



TITLE SSL-1.1 DC PLUG CONNECTOR 6-POS. W/O POST, SMT TYPE			
SCALE	5:1	SIZE	A4
REV.	E	WC-REV.	A.5
		SHEET	2 OF 2
QC: Inspection item			

**Amphenol LTW**  
安費諾亮泰企業股份有限公司

ITEM NO	SSL11-P6D00-000001
DWG NO	SSL11-P6D00-000001
CUSTOMER	ALTW

DRAWN BY	Fisher_Wang
CHECKED BY	Ivan_Lin
APPROVED BY	Kevin_Hu

DATE	2019-08-29
DATE	2019-08-29
DATE	2019-08-29