

SSX-52 SERIES DURABLE SIREN/SIREN STROBE

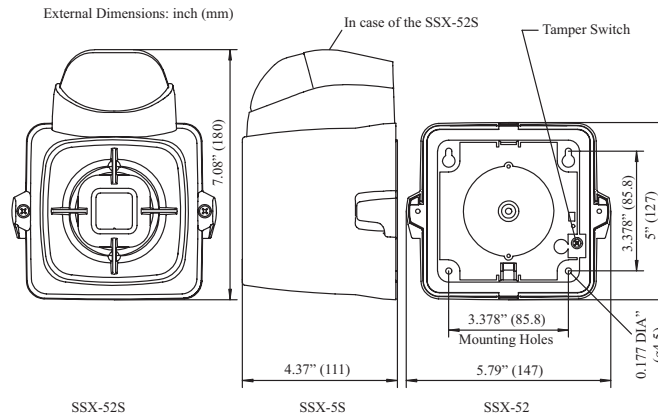


- Self-Contained /Indoor/Outdoor Siren and Siren/Strobe
- Sturdy aluminum back plate
- Strong polycarbonate housing
- Dual tamper protection
- 115dB sound output
- Warble sound output
- Mounts directly to wall or 4" square back box
- Strobe consists of colored mirror and lens
- Available strobe colors: Amber, blue, clear, red

The SSX-52 is a durable indoor/outdoor self-contained siren. The full featured siren consists of a single tone that delivers a warble sound output, 115dB @ 1 meter output siren driver, and a dual action reed plunger for cover and rear protection. The SSX-52 is provided with a strong polycarbonate housing and a sturdy aluminum back plate to prevent warping and cracking. The SSX-52 comes completely assembled and ready for installation.

The SSX-52S Siren-Strobe is also available. It includes all the great SSX-52 features with the addition of a colored strobe. The strobe uses a colored mirror and lens to ensure that the color can be easily distinguished, and is available in amber, blue, clear, or red. The SSX-52/52S excels in noisy areas such as warehouses, loading docks, print shops, busy production floors, or for indoor/outdoor applications where high quality and high output warning is required.

Dimensions: inches (mm)



Model Number	Stock Number	Rated Voltage	Current Draw	Operating Voltage Range	Strobe Specifications			Speaker Specifications		Operating Temperature Range
					Lens Color	Strobe Candela Rating on Axis	Flash Rate	Sound Output	Tamper Contact Capacity	
SSX-52	4150024	6 - 12 VDC	620 mA Max.	4.8 - 14.4 VDC	-	-	-	115dB	0.3A @ 12V DC	-4°F to 149°F -20°C to 65°C
SSX-52SA	4150025	12 VDC	748 mA Max.	9.6 - 14.4 VDC	Amber	2.03 Min.	20 - 100 times/min.			
SSX-52SB	4150026				Blue	1.80 Min.				
SSX-52SC	4150027				Clear	3.08 Min.				
SSX-52SR	4150028				Red	.75 Min.				