

## SSX-82 SERIES DURABLE SIREN/SIREN STROBE



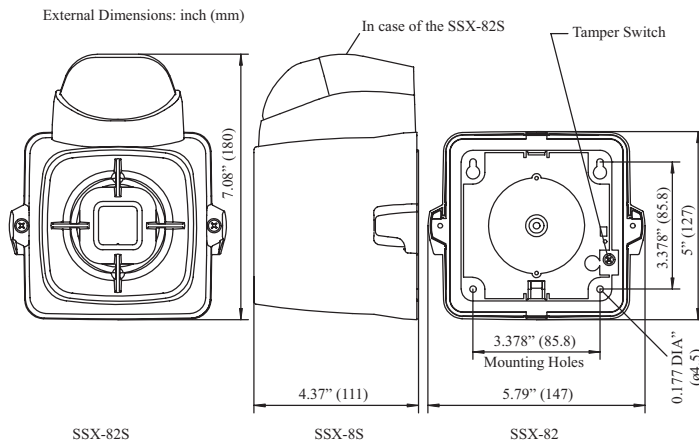
- Self-Contained /Indoor/Outdoor Siren and Siren/Strobe
- Sturdy aluminum back plate
- Strong polycarbonate housing
- Dual tamper protection
- Dual tone (steady and warble)
- 120dB @ 1 meter sound output (steady and warble)
- Mounts directly to wall or 4" square back box
- Strobe consists of colored mirror and lens
- Available strobe colors: Amber, blue, clear, red

The SSX-82 is a durable indoor/outdoor self-contained siren that is a more powerful version of the SSX-52. The full featured siren consists of a single tone that delivers a steady and warble sound output, 120dB @ 1 meter output siren driver, and a dual action reed plunger for cover and rear protection. The SSX-82 is provided with a strong polycarbonate housing and a sturdy aluminum back plate to prevent warping and cracking. The SSX-82 comes completely assembled and ready for installation.

The SSX-82S Siren-Strobe is also available. It includes all the great SSX-82 features with the addition of a colored strobe. The strobe uses a colored mirror and lens to ensure that the color can be easily distinguished, and is available in amber, blue, clear, or red.

The SSX-82/82S excels in noisy areas such as warehouses, loading docks, print shops, busy production floors, or for indoor/outdoor applications where high quality and high output warning is required.

### Dimensions: inches (mm)



Model Number	Stock Number	Rated Voltage	Current Draw	Operating Voltage Range	Strobe Specifications			Speaker Specifications		Operating Temperature Range
					Lens Color	Strobe Candela Rating on Axis	Flash Rate	Sound Output	Tamper Contact Capacity	
SSX-82	4150032	12 VDC	1.20 A Max. (typical)	4.8 - 14.4 VDC	-	-	-	120dBA	0.3A @ 12V DC	-4°F to 149°F -20°C to 65°C
SSX-82SA	4150033	12 VDC	1.31 A Max. (typical)	9.6 - 14.4 VDC	Amber	2.03 Min.	20 - 100 times/min.			
SSX-82SB	4150034				Blue	1.80 Min.				
SSX-82SC	4150035				Clear	3.08 Min.				
SSX-82SR	4150036				Red	.75 Min.				