

Datasheet

NFC Reader

FPC / Embedded

Features:

Thin, semi-flexible structure  
 Easily assembles to device covers or mechanics  
 Well-known antenna concept, reliable technology

Applications:

Mobile devices  
 Home automation devices  
 Sharing / pairing



ST0812-11-N01-A

30 x 34 x 0.35mm

NFC Antenna



Electrical Specifications

Antenna Characteristics (Contains Ferrite)

Frequency (MHz)*	13.56
Impedance ( $\Omega$ )*	20~30
Inductance ( $\mu$ H)**	1.75
Resistance ( $\Omega$ )**	1.49
Self Resonance Frequency (MHz)**	93.59
Q-Factor**	56.7
Ferrite Permeability ( $\mu'$ )	150

\* With matching network.

\*\* Bare coil without any matching network.

**Mechanical Specifications**

**Environmental**

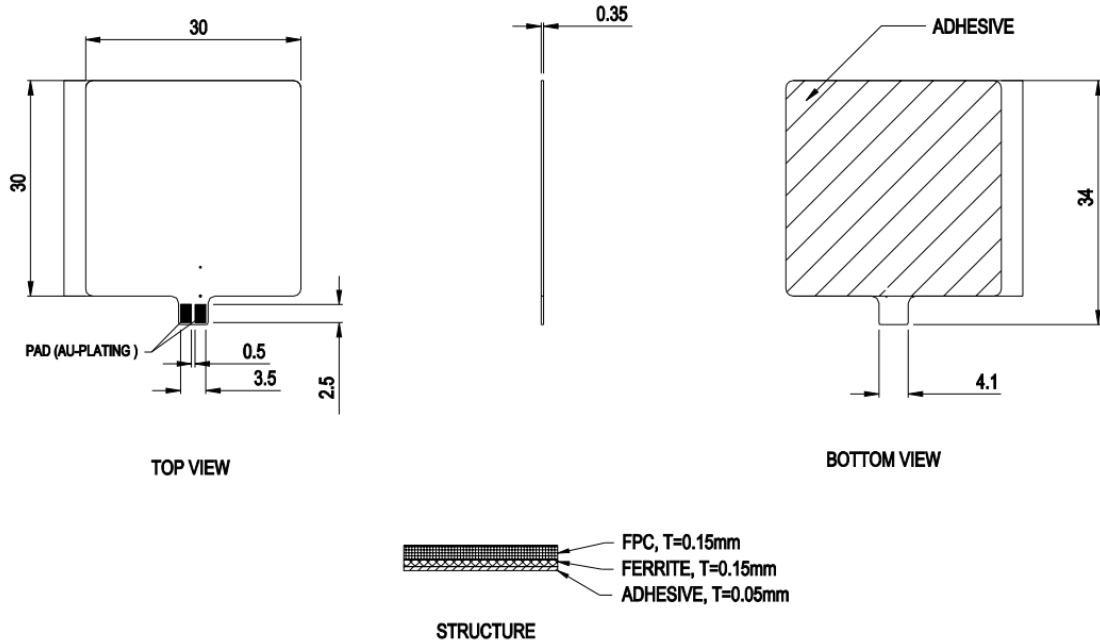
Temperature Range (°C)	-40 to 85
Humidity	Non-condensing 65°C 95% RH

RoHS Compliant

Part Number	Dimension (mm)	Weight (g)	Material	Adhesive
ST0812-11-N01-A	30 x 34 x 0.35	1.4	PI + Ferrite	3M 467

**Mechanical Drawing**

Unit : mm



ST0812-11-N01-A