

Discovery kit for the ST25DV-PWM NFC/RFID tag IC

Data brief



Features

- Ready-to-use printed circuit board with:
 - ST25DV02K-W2 NFC/RFID tag IC in SO8N ECOPACK2[®] package
 - 22 x 38 mm² single layer inductive antenna, etched on the PCB
 - Two LEDs illustrating duty cycle of PWM outputs
- Contactless interface
 - Based on ISO/IEC 15693 and NFC Forum Type 5
 - 28.5 pF internal tuning capacitance

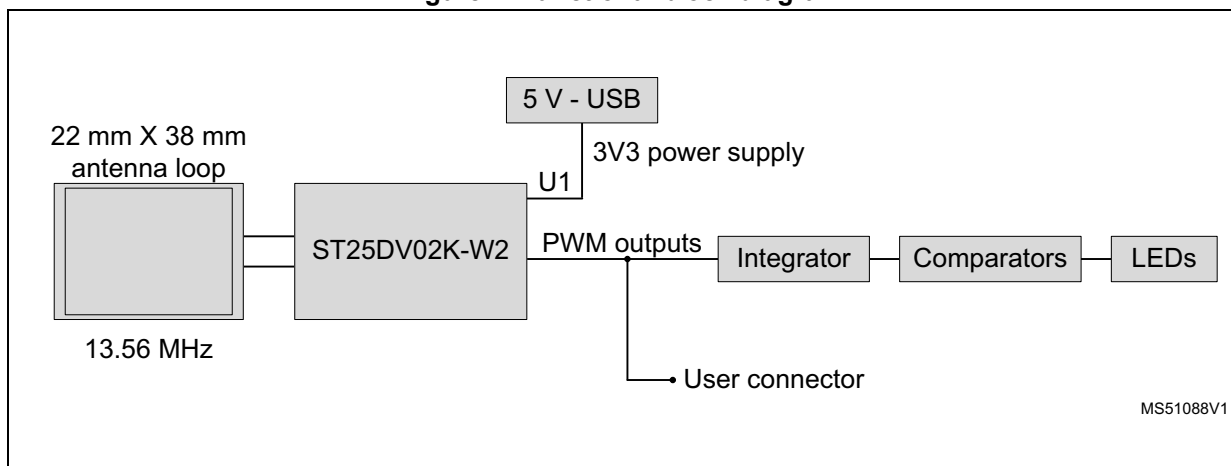
- Memory and data protection
 - 2-Kbit EEPROM
 - Up to four independent areas
 - TruST25[™] digital signature mechanism for authentication
- FCC verified
- RoHS compliant

Description

The ST25DV-PWM-eSET is a dynamic NFC tag evaluation board based on the ST25DV02K-W2 device, an NFC/RFID tag IC with PWM outputs embedding a 2-Kbit EEPROM that can be partitioned for use-case flexibility.

The PWM output can be programmed independently and securely, allowing the user to address a large number of applications. The IC provides live update of PWM parameters by contactless interface, extending the user experience. The device can be operated from a 13.56 MHz RFID reader or by any NFC mobile phone. The contactless interface is based on ISO/IEC 15693 and NFC Forum Type 5 tag standards.

Figure 1. Functional block diagram



Revision history

Table 1. Document revision history

| Date | Revision | Changes |
|-------------|----------|------------------|
| 07-Sep-2018 | 1 | Initial release. |