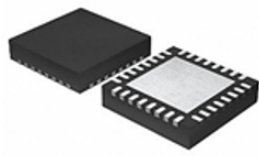


60 A electronic fuse for 12 V DC rail



QFN 32 (5 x 5)

Features

- 60 A continuous current
- Input voltage range from 5 to 18 V
- Adjustable current limit
- Input undervoltage lockout
- Integrated 0.85 mΩ Power MOSFET
- Enable/Disable pin
- Programmable turn-on time
- Accurate current monitor signal
- Precise temperature monitor
- Overcurrent and Fault status flags
- Internal MOSFET self-diagnostic
- Parallel operation
- Thermal protection
- Fault management: latch-off or auto-retry versions
- QFN32- 5 x 5 package
- Temperature range: -40°C to 125°C

Applications

- Server main eFuse
- Hot-swap boards
- High power industrial 12 V rail protection

Maturity status link

[STEF12H60M](#)

Description

The **STEF12H60M** is a 60 A integrated electronic fuse optimized for monitoring the output current and the input voltage, over the 12 V DC power lines.

When connected in series to the main power rail, it is able to detect and react to overcurrent conditions. When an overload condition occurs, the device limits the output current to a safe value defined by the user.

A precise current monitor signal provides continuous information about the load current to the system controller IC.

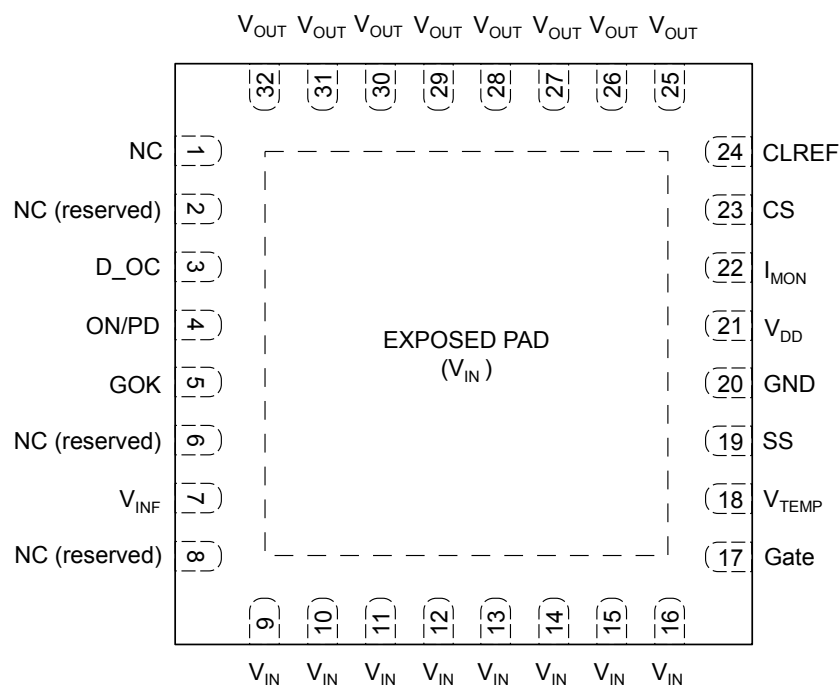
Similarly, a precise temperature sensor generates a monitor signal that permits the system controller to keep the device power dissipation under control.

Turn-on time is programmable, which helps control the inrush current during start-up operations.

Multiple devices can work in parallel and smoothly share the current during the start-up phase, thanks to a dedicated current balancing feature.

The device also embeds the undervoltage lockout feature, self-diagnostic and absolute thermal protection.

2 Pin configuration

Figure 2. Pin connection (top view)

Table 1. Pin description

Pin #	Symbol	Function
25 - 32	V_{OUT}	Output voltage of the eFuse. All pins must be connected together on the PCB
3	D_OC	Output pin, driven low if the current set-point is exceeded. It is a 5 V compliant open drain output
4	ON / PD	Enable/disable pin. This pin is internally pulled up. Pull this pin below the relevant threshold to shut down the chip. Pull it above threshold to enable the chip. This pin also commands the output pull-down resistance. A capacitor connected between this pin and GND can be used to increase the delay during startup
5	GOK	Gate-OK output pin. It signals that a shutdown, which was not commanded by the enable pin, has happened. 5 V compliant open drain output, low when device is in a fault condition
1	NC	Not internally connected. It can be connected to any voltage
6, 8	NC/reserved	These pins are reserved and must be left floating
2	NC/reserved	This pin is reserved. If necessary, it can be connected to any voltage up to V_{IN}
7	V_{INF}	Input voltage for internal circuits. It is connected to V_{IN} through an R-C filter
9 - 16	V_{IN}	Input voltage of the eFuse. All these pins must be connected together and to the exposed pad
17	Gate	Gate pin of the internal MOSFET. This pin must be left floating or it can be bypassed to GND through an external R-C filter, to minimize the risk of oscillation in case of very small C_{OUT} or high input / output inductance
18	V_{TEMP}	Temperature monitor pin. Bypass to GND with 0.1 μ F capacitor

Pin #	Symbol	Function
19	SS	Soft-start pin. A capacitor connected between this pin and GND determines the soft-start time. If it is left floating the start-up time is about 300 μ s
20	GND	Analog device ground
21	V _{DD}	Internal LDO output and compensation pin. It provides a regulated 5 V auxiliary output. This pin must be bypassed to GND via a 1 μ F capacitor to ensure the correct functionality of the device
22	I _{MON}	Current monitor pin. A resistor (R _{MON}) connected between this pin and GND generates a voltage proportional to the output current. It is suggested to connect a capacitor (C _{MON}) in parallel to R _{MON} to filter the monitor signal
23	CS	Current feedback. A resistor (R _{CS}) connected between this pin and GND provides a feedback voltage for the current limit circuit and the overcurrent indicator (D_OC). Do not connect any capacitance to this pin
24	CLREF	Current limit set-point pin. Connect a resistor to GND or force an external control voltage to define the current limit set-point
EXP. PAD	V _{IN}	Input voltage, internally connected to the power FET drain

3 Typical application

Figure 3. Typical application diagram (external controller used for C_{LREF} pin)

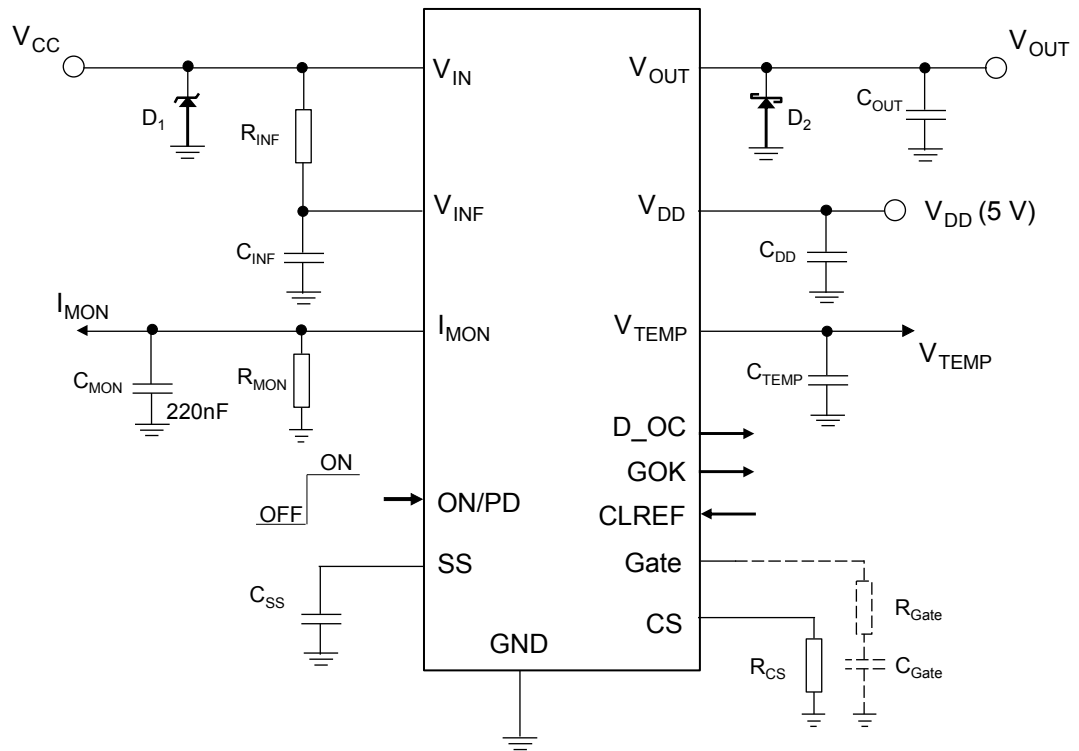


Figure 4. Typical application diagram (current limit fixed via R_{CL})

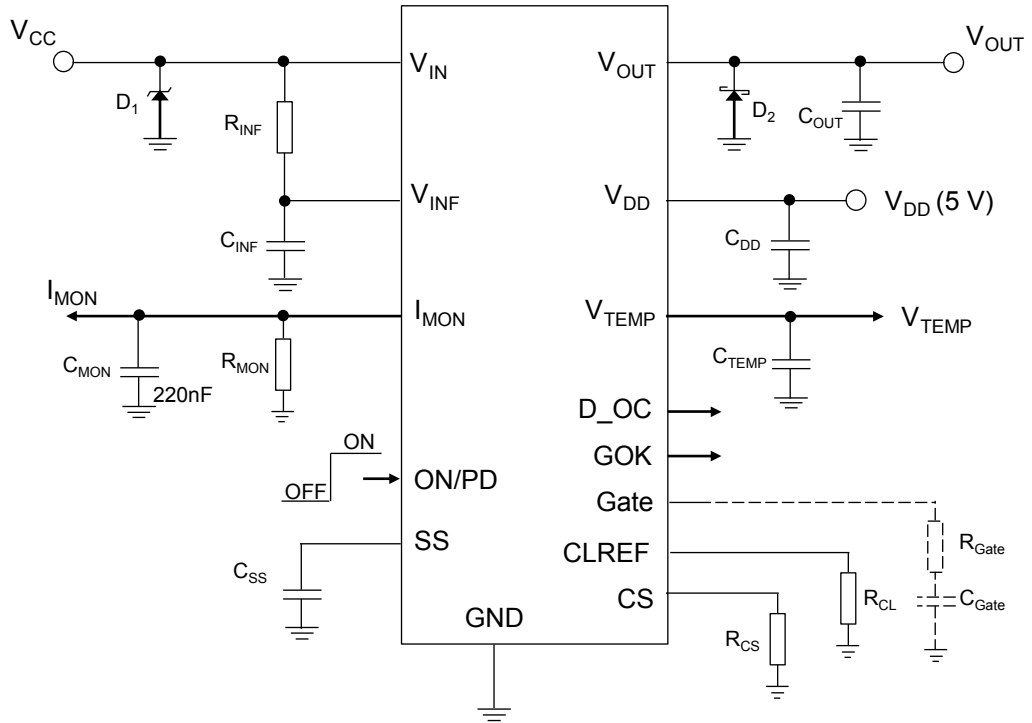
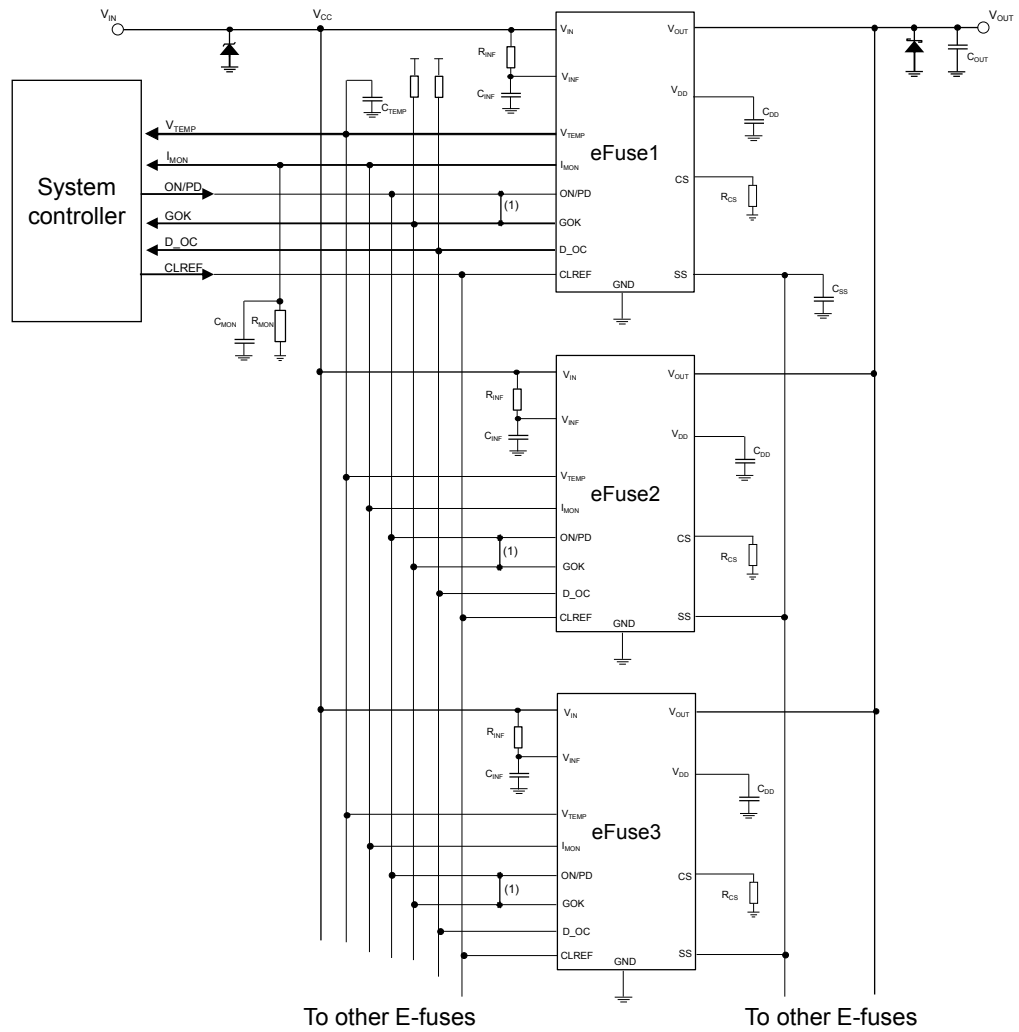


Figure 5. Typical application diagram (multiple e-fuses in parallel)



Note: Connect all the GOK and ON/PP pins when using the auto-retry version (STEF12H60MAPUR) in parallel configuration, to achieve synchronous restart cycle. Refer to [Section 6.11 Parallel operation](#) for further details.

4 Maximum ratings

Table 2. Absolute maximum ratings

Symbol	Parameter	Value	Unit
V_{IN}	Input supply voltage	-0.3 to 20	V
V_{INF}	Input supply voltage	-0.3 to V_{IN}	V
V_{OUT}	Output voltage	-0.3 to V_{IN}	V
V_{DD}	LDO output voltage	-0.3 to 7	V
All other pins	Pin voltage	-0.3 to 6	V
I_{OUT}	Continuous output current	75	A
I_{DD}	LDO continuous output current	60	mA
ESD	Charge device model	± 500	V
	Human body model	± 2000	
T_{J-OP}	Operating junction temperature	-40 to 125	$^{\circ}\text{C}$
T_{J-MAX}	Maximum junction temperature	150	$^{\circ}\text{C}$
T_{STG}	Storage temperature	-55 to 150	$^{\circ}\text{C}$

1. The thermal limit is set above the maximum operating temperature. It is not recommended to operate the device at temperatures greater than the maximum ratings for extended periods of time.

Note: Absolute maximum ratings are those values beyond which damage to the device may occur. Functional operation under these conditions is not implied. Exposure to absolute-maximum-rated conditions may affect device reliability.

Table 3. Thermal data

Symbol	Parameter	Value	Unit
R_{thJA}	Thermal resistance junction-ambient	26 ⁽¹⁾	$^{\circ}\text{C/W}$
		22 ⁽²⁾	

1. JEDEC still air natural convection test as per JESD 51-2 A, at ambient temperature of 25 $^{\circ}\text{C}$ by using JEDEC (JESD 51-7) 4L PCB FR4 board using 1 sq-in pad, 1 oz Cu.
2. Forced moving air environment (100 LFM).

Note: Functional operation beyond the recommended operating conditions is not implied.

Table 4. Recommended operating conditions

Symbol	Parameter	Test conditions	Min.	Typ.	Max.	Unit
V_{IN}	Input voltage		8	12	15	V
I_{OUT}	Continuous output current				60	A
I_{DD}	LDO continuous output current	$V_{INF} = 5.5\text{ V}$			50	mA
R_{CS}	Current set resistor		1.8		4	k Ω
V_{CLREF}	Control voltage range		0.2		1.4	V
C_{OUT}	Output capacitance ⁽¹⁾		47			μF
t_{ss}	Soft-start duration		10	50	100	ms
C_{DD}	V_{DD} capacitor value ⁽²⁾		1	2.2	10	μF

1. The maximum allowed output capacitance to obtain a successful startup, without triggering internal fault protections, depends on the device soft-start time, R_{CS} resistor and output load during power-up.

2. V_{DD} capacitor is mandatory to ensure the internal regulator stability and the device functionality.

Note: Functional operation beyond the recommended operating conditions is not implied.

5 Electrical characteristics

$T_J = -40\text{ °C}$ to $+125\text{ °C}$, typical values refer to $T_J = 25\text{ °C}$, $V_{IN} = V_{INF} = 12\text{ V}$, $V_{ON/PD} = 3.3\text{ V}$; $C_{OUT} = 100\text{ }\mu\text{F}$; unless otherwise specified. Min. and max. values are guaranteed by design and characterization through statistical correlation.

Table 5. Electrical characteristics

Symbol	Parameter	Testconditions	Min.	Typ.	Max.	Unit
Input section						
V_{IN}	Operating input voltage		5	12	18	V
I_q	Quiescent current	Device operating, no load ($V_{ON/PD} > 1.4\text{ V}$)		650	1000	μA
		Fault condition		300		
		Off-state, $V_{ON/PD} = 0\text{ V}$, $V_{INF} = 16\text{ V}$		200	400	
LDO						
V_{DD}	LDO output voltage	$I_{DD} = 1\text{ mA}$, $V_{INF} = 6\text{ V}$	4.6	4.9	5.2	V
I_{DDmax}	LDO short-circuit current ⁽¹⁾	$V_{DD} = 0\text{ V}$	60	120		mA
V_{DROP}	LDO dropout voltage	$I_{DD} = 30\text{ mA}$	66	100	160	mV
V_{DD_ON}	UVLO rising threshold		4.1	4.3	4.6	V
V_{DD_OFF}	UVLO falling threshold		3.8	4.0	4.2	V
Startup						
I_{SS}	Soft-start capacitor charging current		4.5	5.2	6	μA
t_{SSMAX}	Soft-start max. time	If $V_{OUT} < 90\%$ of V_{IN} after T_{SSMAX} shutdown is forced		200		ms
A_S	Soft-start gain	Relation between internal soft-start signal ramp and V_{OUT}		10		V/V
PowerMOSFET						
R_{DSon}	On-resistance	$T_J = 25\text{ °C}$		0.85	1.1	m Ω
I_L	Off-state leakage current	$V_{ON/PD} = 0\text{ V}$, $V_{IN} = 16\text{ V}$, $T_J = 25\text{ °C}$			1	μA
Current limit and current monitor circuit						
V_{CS_TH}	Current limit activation threshold ($V_{CS} = IR_{CS} \times R_{CS}$)	$V_{OUT} > 80\%$ of V_{IN}	97	100	103	% of V_{CLREF}
V_{CL_MAX} ⁽²⁾	Maximum CL reference voltage		1.5	1.6	1.65	V
V_{CL_FD}	Internal voltage reference for foldback current limit at startup	V_{OUT} is lower than 40% of V_{IN}	130	150	170	mV
V_{CL_ST}	Internal voltage reference for current limit at startup	V_{OUT} is between 40% and 80%	470	500	530	mV
t_{CL}	Current limit response time ⁽³⁾	From $V_{CS} > V_{CLREF}$ until current limit		100		μs
I_{CL}	C_L pin internal biasing current	From C_L pin into 1 V source	9.4	10	10.4	μA

Symbol	Parameter	Testconditions	Min.	Typ.	Max.	Unit
V _{CL_HI}	Maximum voltage of the C _{LREF} pin internal biasing source			3.0		V
I _{RCS} /I _{MON}	Current sense/monitor accuracy	T _J = 25 °C, 10 A < I _{OUT} < 60 A ⁽³⁾⁽⁴⁾	-3		3	%
A _{CS} , A _{MON}	Current sense and current monitor gain	I _{RCS} /I _{OUT} , I _{MON} /I _{OUT} , T _J = 25 °C, 10 A < I _{OUT} < 60 A ^{(3) (4)}	9.7	10	10.3	μA/A
t _{SH}	Shutdown timer ⁽³⁾	From current limit detection to MOSFET turn-off		250		μs
I _{SC}	Short-circuit current limit ⁽³⁾			100		A
T _{SC}	Short-circuit protection responsetime ⁽³⁾	From I _{OUT} > I _{SC} until MOSFET gate pulldown		500		ns
V _{MON_MAX}	Internal current source maximum voltage	Internal pullup voltage on IMONpin		3.0		V
ON/PD (chip enable pin)						
V _{OFF}	Low level input voltage	Output disabled/PD activated	1.11	1.2	1.29	V
V _{ON}	High level input voltage	Output enabled	1.3	1.4	1.5	V
V _{PD}	Pull down deactivation threshold	Pulldown deactivated	0.71	0.8	0.89	V
t _{ON}	Initial delay time	From V _{ON/PD} > V _{ON} to soft-start beginning	0.8	1	1.2	ms
I _{ON/PD}	Enable pin bias current		4	5	6	μA
V _{ON/PD_MAX}	Internal current source maximum voltage	Internal pullup voltage on ON/PD pin		3.0		V
R _{PD}	Output pull-down resistance	V _{OUT} = 12 V, pulldown activated		0.72		kΩ
t _{PD}	Output pull-down delay timer	From V _{OFF} < V _{ON/PD} < V _{PD}		2		ms
Temperature monitor						
V _{TEMP}	V _{TEMP} voltage	T = 25 °C		450		mV
	Temp coefficient ⁽³⁾	T = 0 °C to 125 °C		10		mV/°C
	Load capability	Maximum current			4	mA
	Pull-down current	T = 25 °C		50		μA
Status line						
GOK	Gate-OK output voltage	I _{SINK} = 1 mA			0.1	V
	Leakage current	V _{GOK} = 5 V			1	μA
V _{OC}	Overcurrent detection threshold	V _{CS} voltage threshold that triggers D_OC low	83	85	87	% V _{CLREF}
D_OC	Overcurrent monitor signal active low voltage	I _{SINK} = 1 mA V _{CS} > V _{OC}			0.1	V
	Leakage current	V _{D_OC} = 5 V V _{CS} < V _{OC}			1	μA
T _D	D_OC signal response time ⁽³⁾			1		μs
Thermal protection						
T _{SD}	Shutdown temperature ⁽³⁾	GOK pulled low	130	140	150	°C

Symbol	Parameter	Testconditions	Min.	Typ.	Max.	Unit
T_{Retry}	Autoretrydelay time (only on STEF12H60MAPUR)	From shutdown due to fault to automatic restart.		1		s
Internal MOSFET diagnostics						
$V_{\text{DS_TH}}$	Drain-source short detection threshold	If $V_{\text{OUT}} > V_{\text{DS_TH}}$ at startup, startup is postponed		90		% of V_{IN}
$V_{\text{DS_OK}}$	Drain-source voltage good detection threshold	If $V_{\text{OUT}} < V_{\text{DS_OK}}$ startup is resumed		70		% of V_{IN}
$V_{\text{OUT_LOW}}$	Low V_{OUT} detection threshold	After startup, if $V_{\text{OUT}} < V_{\text{OUT_LOW}}$, the device is turned off		90		% of V_{IN}
$V_{\text{DG_SH}}$	Gate-drain short detection voltage threshold	If $V_{\text{G}} > V_{\text{DG_SH}}$ after enable by ON pin, startup is postponed		3.1		V
$V_{\text{DG_OK}}$	Gate-drain voltage good detection threshold	If $V_{\text{G}} < V_{\text{DG_OK}}$ startup is resumed		3		V
$V_{\text{G_LOW}}$	Gate fault detection threshold	If $V_{\text{GD}} < V_{\text{G_LOW}}$ device is turned off		5.7		V
$T_{\text{G_LOW}}$	Gate fault timer in normal operation	After T_{SSMAX} elapses, time from $V_{\text{GD}} < V_{\text{G_LOW}}$ transition to gate fault detection		200		ms

1. Pulsed test. The internal LDO is not equipped with thermal protection. Short-circuit duration must not be longer than 1 ms to avoid damage.
2. If the voltage on CLREF pin is higher than $V_{\text{CL_MAX}}$ internal reference, the current limit reference voltage is clamped to $V_{\text{CL_MAX}}$.
3. Guaranteed by design, but not tested in production.
4. MOSFET fully conducting, at minimum R_{ON} .

6 Device functional description

The STEF12H60M is a 12 V electronic fuse (eFuse), which is able to limit the current during fault events, such as output overload or short-circuit.

The current limiting loop is also used during the start-up phase of the eFuse to avoid startups into faulty loads. During normal operation, the eFuse works as a low-resistance power switch, therefore the output voltage follows the input one. In case of overcurrent event, the eFuse limits the V_{GS} of the internal MOSFET switch, in order to clamp the output current to a safe value.

If the fault persists, after a predefined safety timer, or in case the die temperature hits the thermal protection threshold, due to the increased power dissipation, the device goes into shutdown, the internal switch is turned off and the load is disconnected from the power supply. The device is latched in this off-state until a power supply re-cycle is performed. The auto-retry version instead, is able to re-try starting the device after a fault event, with a typical delay of 1 ms.

The current limit and soft-start features are programmable by the user, through external components.

6.1 UVLO ON/PD function

The device is supplied through the V_{IN} pins, which carry the power directly to the internal power MOSFET drain connection, and the V_{INF} pin, which is the input of the internal regulator, used to supply the analog and logic circuits. This pin must be connected externally to V_{IN} through an R-C filter (see Section 3 Typical application).

The UVLO (undervoltage lockout) monitors the voltage of the internally regulated V_{DD} node and turns on the device when $V_{DD} > V_{DD_ON}$ (typically 4.3 V). If V_{DD} falls below the UVLO hysteresis threshold ($V_{DD} < V_{DD_OFF}$), the device is turned off including the reset of fault state.

6.2 ON/PD function

During turn-on, provided that the UVLO rising threshold has been surpassed, the start-up procedure begins once the device is enabled via the ON/PD pin. The ON/PD is a logical input with a dual functionality, according to the following description:

1. Enable/disable the device: when $V_{ON/PD} > V_{ON}$, the device is enabled. If $V_{ON/PD}$ is pulled down to V_{OFF} or a lower voltage, the device is disabled and the output is shut down. In case the shutdown occurred due to a fault (thermal, overcurrent, failed startup), the device cannot be turned on again via the ON/PD pin. To reset the device from this latched status, a power supply re-cycle is necessary. Alternatively, a reset can be forced without turning off the power supply, by pulling V_{DD} pin below the UVLO voltage and then releasing it.
2. Activate/deactivate the output discharge feature (PD – output pulldown): if $V_{ON/PD}$ is kept between V_{PD} (typ. 0.8 V) and V_{OFF} (typ. 1.2 V) for at least 2 ms (t_{PD}), the integrated 0.77 k Ω R_{PD} discharging resistor is connected between V_{OUT} and GND

The ON/PD pin has an internal pull-up current generator connected to the internal LDO, therefore, if the pin is not connected to an external controller IC, it goes to the ON-state (device enabled).

The 5 μ A ON/PD bias current can be used to charge an external capacitor; in this manner prolonging the initial delay time, defined as the time interval between power supply reaching the UVLO threshold and the output voltage controlled ramp-up initialization.

6.3 Soft-start

The device provides monotonic, controlled start-up ramp, in order to keep the inrush current under control. The output voltage rise time can be set by an external C_{SS} , which is charged with a constant current during the start-up phase. The soft-start range is adjustable from 1 to 100 ms.

Given the required ramp-up time, the C_{SS} capacitance can be calculated according to the following equation:

$$C_{SS} = N \times \frac{(t_{SS} \times I_{SS} \times 10)}{V_{IN}} \quad (1)$$

where V_{IN} is typically 12 V, t_{SS} is in the 10-100 ms range and N is the number of eFuses in parallel.

The table below shows typical values of soft-start duration calculated with standard capacitors and typical I_{SS} value.

Table 6. Output voltage rise time vs. C_{SS} value ($V_{IN} = 12\text{ V}$)

Symbol	Value							
C_{SS} (nF)	47	82	120	180	220	270	330	390
T_{SS} (ms)	10.8	18.9	27.7	41.5	50.8	62.3	76.2	90

Important: Soft-start capacitor must be always connected to ensure controlled operation during startup. In case of absence/bad connection of the C_{SS} , the start-up phase is short (300 μs). This might result in significantly high charging current, eventually leading to the device shutdown for an overcurrent/overtemperature fault. To prevent the device from starting in faulty loads (such as: resistive load, or damaged bulk output capacitors) the following start-up control flow is applied:

- Start-up fold-back current limit: current limit value during start-up phase is dependent on the sensed output voltage. At the very beginning of startup, when the output voltage is close to zero, the current limit internal reference voltage is reduced to V_{CL_FD} . Any higher current limit value set by the user via the C_{LREF} pin is overridden by the device
- Start-up current limit: during the ramp-up phase, the current limit internal reference voltage is reduced to V_{CL_ST} . Any higher current limit value, set by the user via the C_{LREF} pin, is overridden by the device
- Maximum start-up time: startup longer than 200 ms is always aborted by the device. If V_{OUT} does not reach 90% of V_{IN} in 200 ms, the device is turned off and the GOK fault indicator is asserted low

Normal C_{LREF} functionality is resumed at the end of the start-up phase ($V_{OUT} > 80\%$ of V_{IN}). Adding a capacitor in parallel to the ON/PD pin, the initial t_{ON} delay time between valid V_{IN} value and controlled output ramp-up start ($V_{OUT} = 1\text{ V}$) can be increased.

The default delay time without C_{ON} capacitor is typically 1.25 ms.

6.4 Normal operating conditions

Once the start-up phase ends, the STEF12H60M eFuse behaves like a mechanical fuse, supplying the load connected to its output with the same voltage shown at its input, minus the small voltage fall due to the N-channel MOSFET $R_{DS(on)}$. The status line open-drain indicators GOK and D_OC provide information about the status of the device.

6.5 Current sensing and current limit

When an overload event occurs, the current limiting circuit reduces the conductivity of the power MOSFET, in order to clamp the output current at the value defined by the user by the voltage set on C_{LREF} pin. Current limit function consists of two sub-circuits:

- the current sense (CS) circuit, responsible for sensing the load current and providing a feedback signal to detect overcurrent. It relies on a small copy-MOSFET built into the integrated power MOSFET to generate a replica of the load current; proportional by $A_{CS} = I_{RCS}/I_{OUT} = 10\ \mu\text{A/A}$, into the external R_{CS} resistor attached to the eFuse.

This current creates a variable V_{CS} voltage across the resistor, defining the eFuse working current CS, which is continuously compared to the current limit reference voltage present on the CLREF pin.

- the current limit (CL) circuit defines the reference threshold for the intervention of the current limitation function. This reference point is a voltage (V_{CLREF}) usually provided externally by the system control IC to the CLREF pin, and continuously compared internally to the feedback signal from CS circuit. In this manner, the current limit point can be throttled to satisfy the system power requirements during operation. In simple standalone designs, such as the one shown in [Figure 4. Typical application diagram \(current limit fixed via \$R_{CL}\$ \)](#), where no control IC is present, the reference signal can be generated by connecting a resistor between CLREF pin and GND. An integrated bias generator sources 10 μ A of current to the R_{CL} resistor, generating a fixed V_{CLREF} , which sets the current limit thresholds. To ensure reliability, the signal on CLREF is internally clamped to V_{CL_MAX} , therefore, even in case of wrong signal provided externally on the pin, a safety current limit threshold is always present.

An overcurrent event is detected when the voltage on the CS pin overcomes the V_{OC} threshold, which is typically 85% of the voltage at the CLREF pin ($V_{CS} > V_{OC}$). In this case the status D_OC indicator is pulled down. If the load status reverts to normality (V_{CS} falls below 75% of V_{CLREF}), D_OC is released. Based on the value of the R_{CS} resistor, the load current level for D_OC triggering can be evaluated by using the following equation:

$$I_{OUT} = \frac{V_{OC}}{R_{CS} \times A_{CS}} \quad (2)$$

In case of overcurrent detection, when V_{CS} surpasses V_{CLREF} , the V_{GS} of the internal MOSFET is immediately modulated in order to clamp the load current to the I_{LIM} value defined by the user via the CLREF pin, according to the following:

$$I_{LIM} = \frac{V_{CLREF}}{R_{CS} \times A_{CS}} \quad (3)$$

During current limitation, additional protection features are activated, in order to keep the total power dissipation under control and protect the device and the system. In particular, a 250 μ s current limit timer (t_{SH}) starts after overload detection. Once the timer elapses, the internal MOSFET is shut down and the GOK indicator is pulled to low status, to inform the system controller that a shutdown not due to ON/PD (fault) occurred.

Moreover, due to high power dissipation in current limit condition, if the die temperature increases too much and hits the thermal protection threshold (140 $^{\circ}$ C typ.), the thermal protection intervenes, turning off the internal MOSFET and asserting GOK low.

A second level current limit (I_{SC}) is quickly activated in case the load current surpasses 100 A.

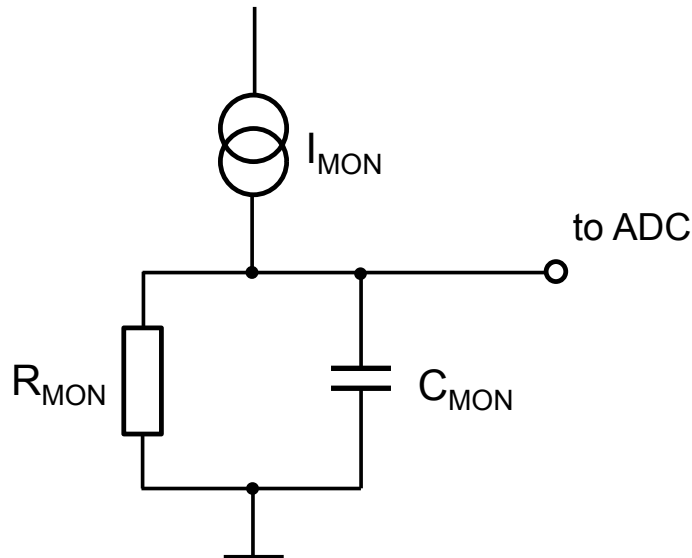
This additional protection, fixed by design, is able to respond to short-circuit events on the output. In such an occurrence, the device is immediately shut down and the D_OC pin is asserted.

6.6 Current monitor

The device is equipped with a current monitoring capability that allows the system controller to read the current flowing through the fuse. An I_{MON} current proportional to the load current flowing through the eFuse is imposed on an external R_{MON} , converting the sensed current into a voltage for further processing by the ADC. The I_{MON} signal is the output of a chopper amplifier, therefore an external bypass capacitor is suggested to reduce the output ripple and to provide a smooth signal (see figure below). The suggested minimum value for the filter capacitor is 3.9 nF. Lower values result in a worse ripple amplitude.

The current, monitoring amplifier gain and defined as $A_I = I_{MON} / I_{OUT}$, is typically $10 \mu\text{A/A}$.

Figure 6. Current monitor simplified circuit



6.7 Temperature monitor and thermal shutdown functions

The STEF12H60M embeds two thermal sensors, each one accomplishing a specific function:

- **Overtemperature sensor:** this is embedded into the power MOSFET. It monitors the power MOSFET temperature, which is subjected to very fast increases during overload events. If the device temperature exceeds the thermal threshold, typically 140°C , the thermal shutdown circuit turns the power MOSFET off, thus disconnecting the load. The GOK pin is pulled down. The thermal shutdown protection is always active and overrides any other protection/control feature of the device.
- **Temperature sensor:** this consists of precise thermal sensors embedded in the controller die. The purpose is to statically monitor the overall device temperature, and generate a precise monitor signal (V_{TEMP}) accordingly. Overall typical accuracy is $\pm 5^\circ\text{C}$. To ensure a stable regulation of the temperature monitor signal in all operating conditions, it is recommended to bypass this pin to GND via a $0.1 \mu\text{F}$ C_{TEMP} capacitor, as shown in [Figure 3](#) and [Figure 4](#).

The device can be reset from a thermal shutdown condition by pulling the V_{DD} pin below the UVLO threshold or by re-cycling the supply voltage.

In parallel configuration, to accomplish simultaneous reset, each device must have its dedicated reset switch, for instance a MOSFET. All the gates of the reset MOSFETS must be tied together to the common reset signal.

6.8 Status indicators and fault conditions

Two open-drain flags can be used to monitor the status of the eFuse, along with the current and temperature monitor signals.

- **D_OC - Overcurrent indicator:** in normal operation and during startup it is released. It is pulled down upon detection of an overload (see [Section 6.5 Current sensing and current limit](#))
- **GOK - gate ok indicator:** this indicator informs that there was a shutdown that was not commanded by the enable pin (ON/PD). In particular, this pin is pulled low when:
 - too low input voltage: V_{DD} lower than UVLO threshold
 - too long start-up time: V_{OUT} does not reach 90% of V_{IN} in 200 ms
 - too long current limit: a current limit event is longer than t_{SH} ($250 \mu\text{s}$ typ.)

During the startup, GOK is released once UVLO is reached, under the condition that V_{OUT} is below V_{DS_OK} (drain to source short detection, see [Section 6.9](#)), therefore it cannot be used directly as a Power Good flag. GOK is also pulled to low level in the case of any of the faults described in [Section 6.9](#) .

6.9 Diagnostic functions and protections

The STEF12H60M embeds several internal diagnostic features that prevent fault condition induced internally that may affect the application (refer to [Section 5 Electrical characteristics](#)):

- Power MOSFET gate leakage check during startup and normal operation ($V_{Gate}-V_{IN} < 5.6\text{ V}$)
- Gate shorted-to- V_{IN}
- Drain to source short in disabled mode (ON pin low). This protection prevents a new startup until the V_{OUT} falls below the V_{DS_OK} value.
- V_{OUT} too low ($V_{OUT} < 90\%$ of V_{IN}) after soft-start
- V_{OUT} does not reach 90% of V_{IN} in 200 ms during startup
- Charge pump error
- Pull-down circuit error

In any case of fault, the GOK indicator is pulled down and the soft-start capacitor is discharged.

6.10 Latch (STEF12H60MPUR) and auto-retry versions (STEF12H60MAPUR)

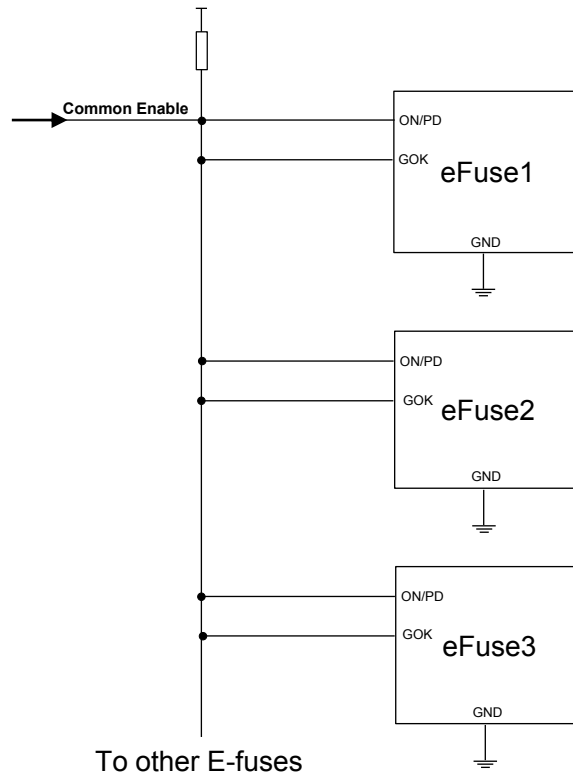
The STEF12H60M electronic fuse is offered in two variants that differ in how the device reacts after a fault condition (see [Section 6.8](#) and [Section 6.9](#)). In particular, the STEF12H60MPUR latches off after a fault and can be reset by pulling the V_{DD} pin below the UVLO threshold or by re-cycling the supply voltage. The STEF12H60MAPUR instead stays in OFF mode for 1 s. (T_{Retry}) and after restarts automatically, initiating a soft-start cycle. The number of restart cycles is not internally limited .

6.11 Parallel operation

Figure 5 shows a typical circuit configuration used to protect high power systems. In this case multiple STEF12H60M are used in a parallel configuration to increase the total current capability. In such design the following guidelines must be followed:

- The ON_PD pins of all eFuses must be tied together to achieve a simultaneous startup.
- All the SS pins must be connected together to a single C_{SS} capacitor. The value of this capacitor should be calculated by using Eq. (1), taking into account that each device provides its I_{SS} charging current to the capacitor. The SS pin is also used to discharge the C_{SS} capacitor during shutdown. In case one eFuse shuts down, the common C_{SS} capacitor is discharged causing simultaneous shutdown of all the paralleled devices.
- All the CLREF pins must be tied together to a single R_{CL} resistor or to common V_{CLREF} control signal from the system controller to set the current limit reference. When using the R_{CL} resistor, the I_{CL} bias current coming from each device must be accounted.
- Each CS pin must be connected to a local R_S , to ensure the current sensing circuit is able to read the single eFuse current.
- The I_{MON} pins can be all tied together to a single R_{MON} / C_{MON} filter. In this way the I_{MON} currents coming from each eFuse all contribute to the voltage generated on the resistor, that results proportional to the total system current. If it is necessary to read the single eFuse current, the local R_{MON} resistor approach can be used.
- The V_{TEMP} pins can be all tied together in Or-ing configuration, therefore the system controller reads the highest temperature among all the eFuses.
- When needed, all of the D_OC and all of the GOK fault flag pins can be tied together and pulled up via a single resistor.
- To accomplish simultaneous reset, each device must have its dedicated reset switch, for instance a MOSFET, connected to V_{DD} pin. All the gates of the reset MOSFETS must be tied together to the common reset signal.
- If the auto-retry version (STEF12H60MAPUR) is used in parallel configuration, dedicated circuitual provision should be made. Specifically, it is recommended to connect all the ON/PD pins to the GOK ones as shown in Figure 7 to ensure a proper synchronization of the auto-retry cycle. A common Enable signal can be used to start up the devices.
- During power-up in parallel operation, keeping the load current through each eFuse lower than 1.5 A (typical) helps to prevent overstress in the internal power MOSFETS at each soft-start cycle.

Figure 7. Additional connections for multiple STEF12H60MAPUR (autoretry version)



7 Typical characteristics

$C_{IN} = 1 \mu\text{F}$; $C_{OUT} = 10 \mu\text{F}$, $T_J = 25^\circ\text{C}$ unless otherwise specified.

Figure 8. Quiescent current vs. temperature

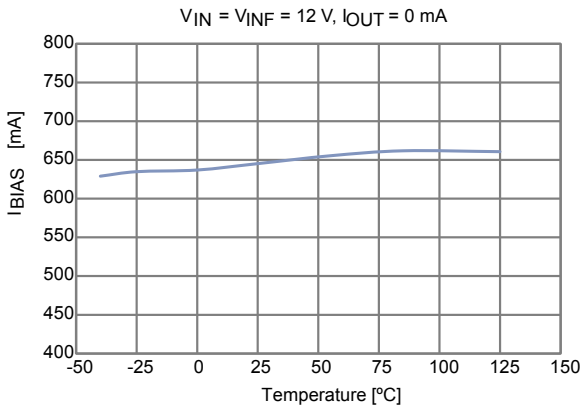


Figure 9. Shutdown current vs. temperature

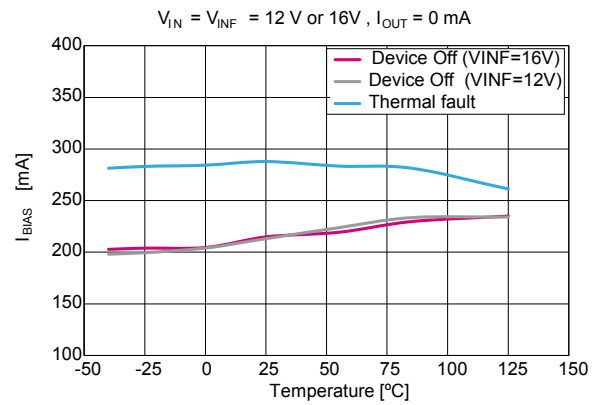


Figure 10. I_{MON} gain accuracy vs. load current and temperature

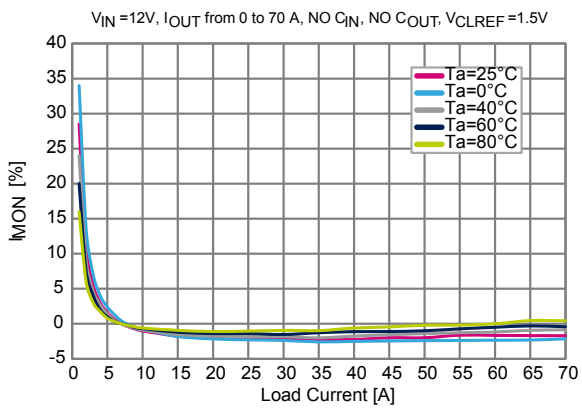


Figure 11. I_{MON} current vs. load current

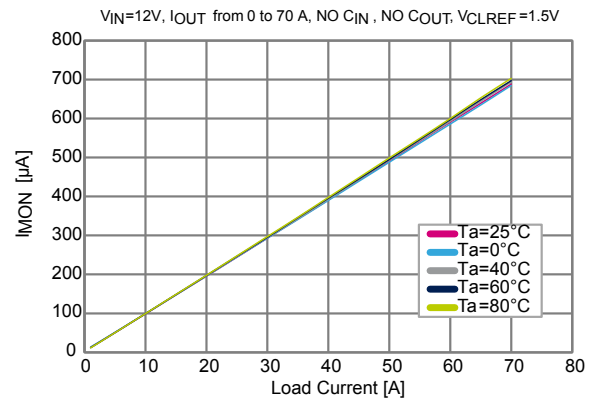


Figure 12. CS current vs. temperature

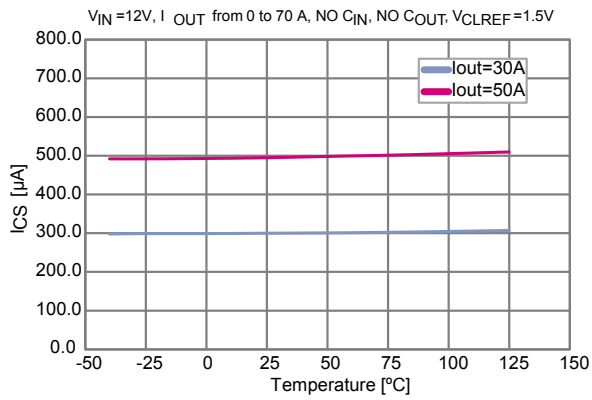


Figure 13. V_{CLREF} threshold vs. temperature

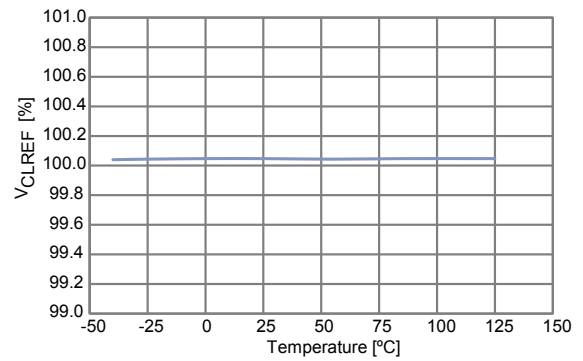


Figure 14. CLREF pin bias current vs. temperature

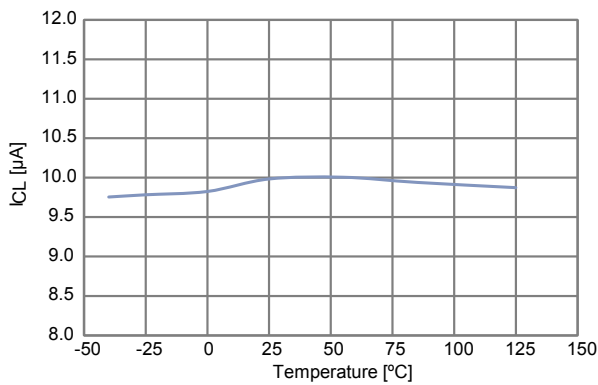


Figure 15. V_{DD} voltage vs. temperature

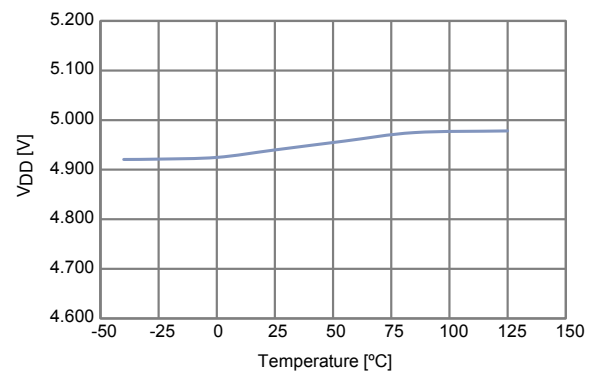


Figure 16. V_{TEMP} voltage vs. temperature

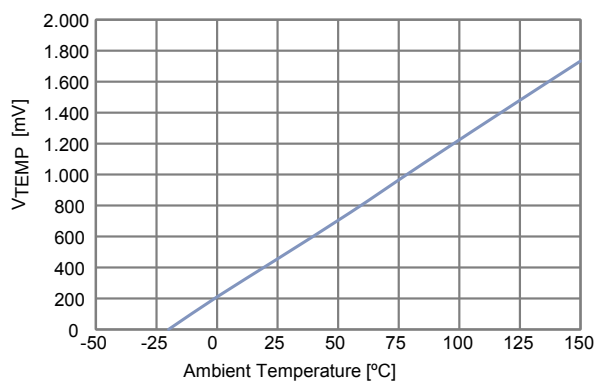


Figure 17. UVLO thresholds vs. temperature

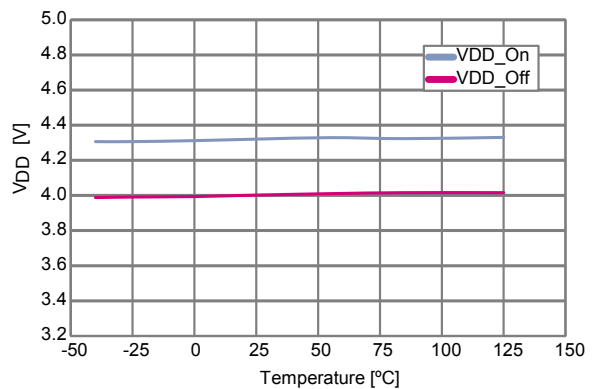


Figure 18. ON/PD thresholds vs. temperature

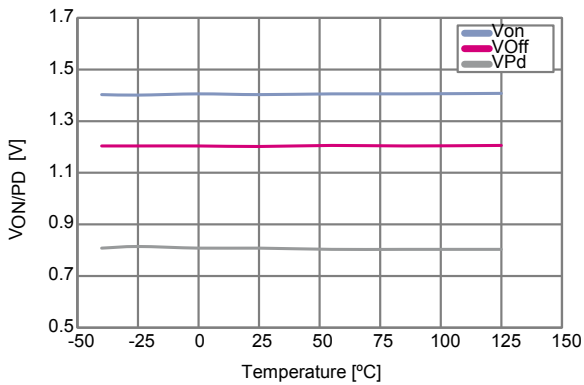


Figure 19. ON/PD pin current vs. temperature

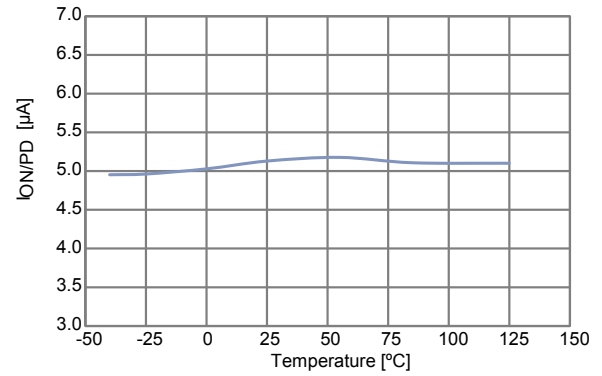


Figure 20. SS pin bias current vs. temperature

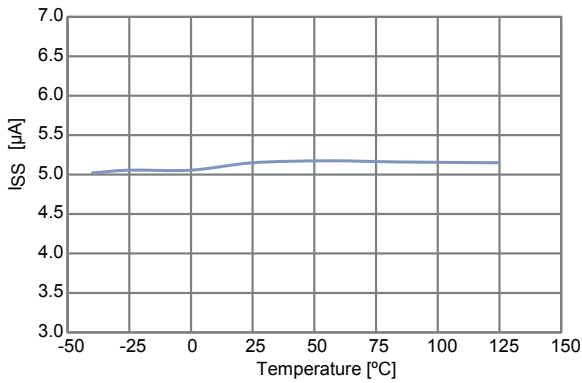


Figure 21. Turn-on initial delay vs. temperature

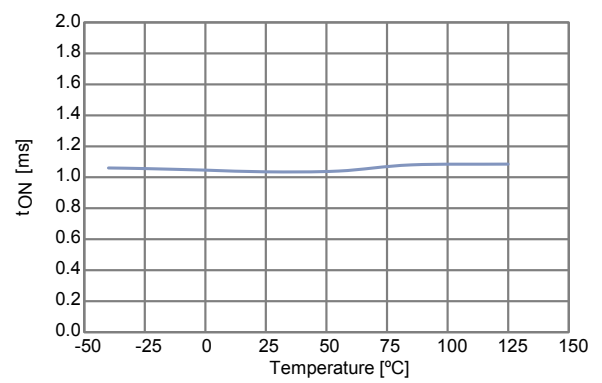


Figure 22. On-resistance vs. temperature

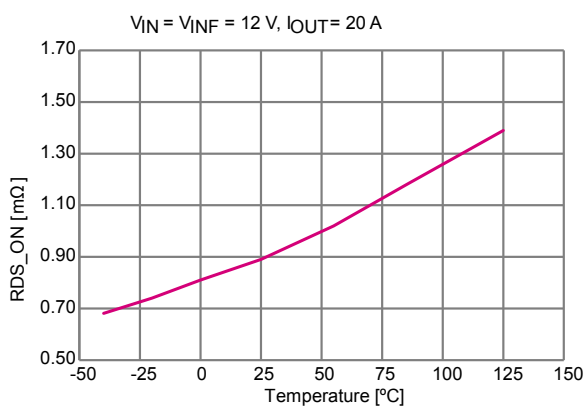


Figure 23. Off-state leakage current vs. temperature

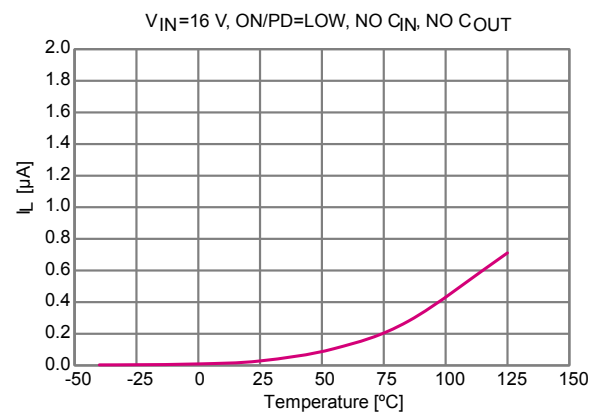


Figure 24. Startup by V_{IN} (no load)

$V_{IN}=12\text{ V}$, NO C_{IN} , $C_{OUT}=4700\ \mu\text{F}$, no Load



Figure 25. Shutdown by V_{IN} (no load)

$V_{IN}=12\text{ V}$, NO C_{IN} , $C_{OUT}=4700\ \mu\text{F}$, no Load

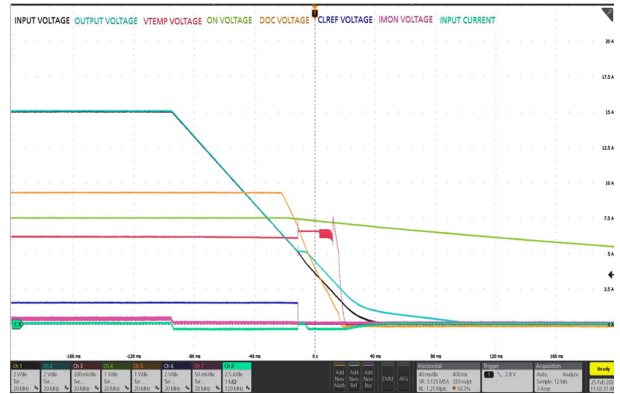


Figure 26. Startup by V_{IN} ($C_{OUT} = 6200\ \mu\text{F}$, no load)

$V_{IN}=12\text{ V}$, $C_{ON/PD}=4.7\ \text{nF}$, NO C_{IN} , $C_{OUT}=6200\ \mu\text{F}$, NO LOAD



Figure 27. Startup by V_{IN} ($C_{OUT} = 6200\ \mu\text{F}$, 15 A, res. load)

$V_{IN}=12\text{ V}$, $C_{ON/PD}=4.7\ \text{nF}$, NO C_{IN} , $C_{OUT}=6200\ \mu\text{F}$, $R_{OUT}=0.78\ \Omega$

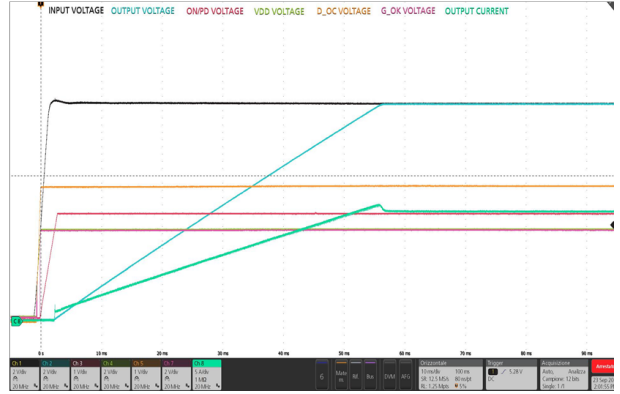


Figure 28. Startup by ON/PD (no load)

$V_{IN}=12\text{ V}$, NO C_{IN} , $C_{OUT}=6800\ \mu\text{F}$, $R_{LOAD}=0.7\ \Omega$

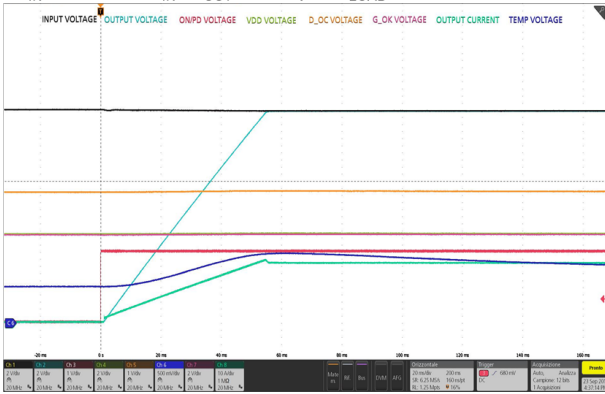


Figure 29. Shutdown by ON/PD (no load)

$V_{IN}=12\text{ V}$, NO C_{IN} , $C_{OUT}=6800\ \mu\text{F}$, no Load

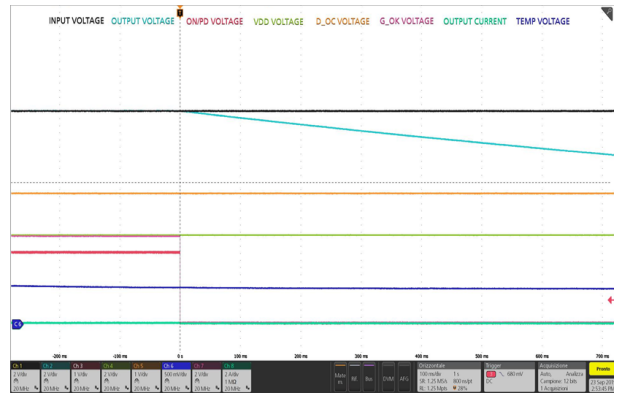


Figure 30. Startup by ON/PD ($I_{OUT} = 15\text{ A}$, $C_{OUT} = 6800\ \mu\text{F}$)

$V_{IN}=12\text{V}$, NO C_{IN} , $C_{OUT}=6800\ \mu\text{F}$, no Load

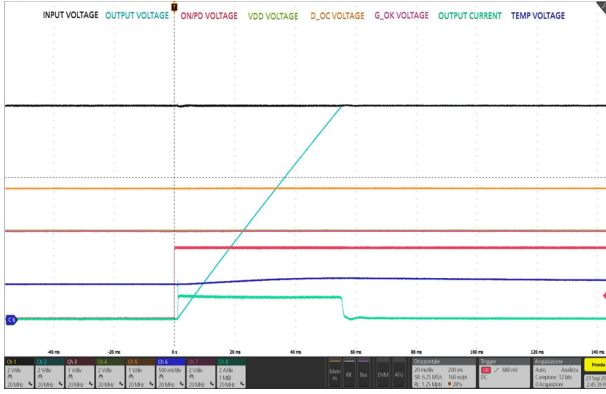


Figure 31. Shutdown by ON/PD ($I_{OUT} = 15\text{ A}$, $C_{OUT} = 6800\ \mu\text{F}$)

$V_{IN}=12\text{ V}$, NO C_{IN} , $C_{OUT}=6800\ \mu\text{F}$, $R_{LOAD}=0.7\ \Omega$

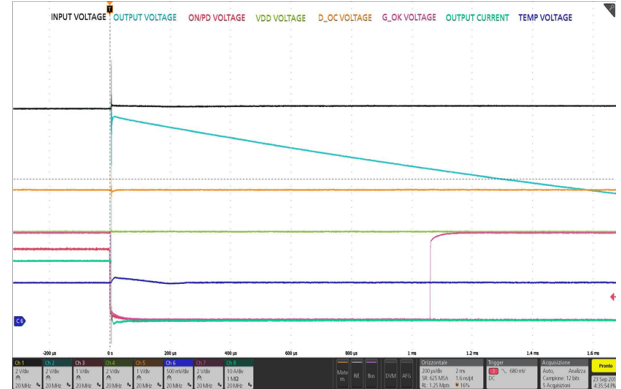


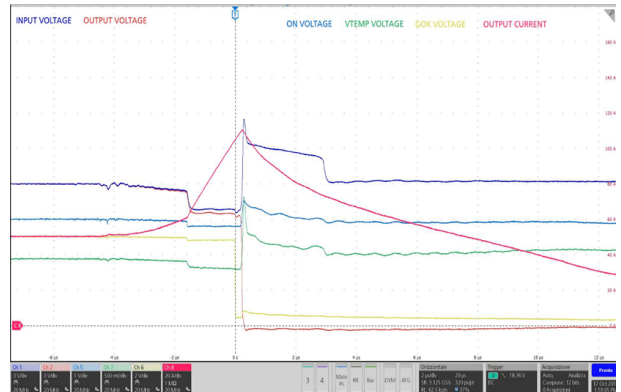
Figure 32. Startup into output short-circuit

$V_{IN} = 12.5\text{ V}$, $C_{ON/PD} = 200\text{ nF}$, NO C_{IN} , NO C_{OUT} , $R_{LOAD}=0\ \Omega$, $G_{OK}=V_{DD}$



Figure 33. Output short-circuit during operation

$V_{IN} = 12\text{ V}$, $V_{OUT} = \text{from } 12\text{ V to } 0\text{ V}$, $G_{OK}=5\text{ V}$, $T_a=70\text{ }^\circ\text{C}$



8 Package information

In order to meet environmental requirements, ST offers these devices in different grades of **ECOPACK** packages, depending on their level of environmental compliance. ECOPACK specifications, grade definitions and product status are available at: www.st.com. ECOPACK is an ST trademark.

8.1 QFN 32 (5 x 5) package information

Figure 34. QFN 32 (5 x 5) package outline

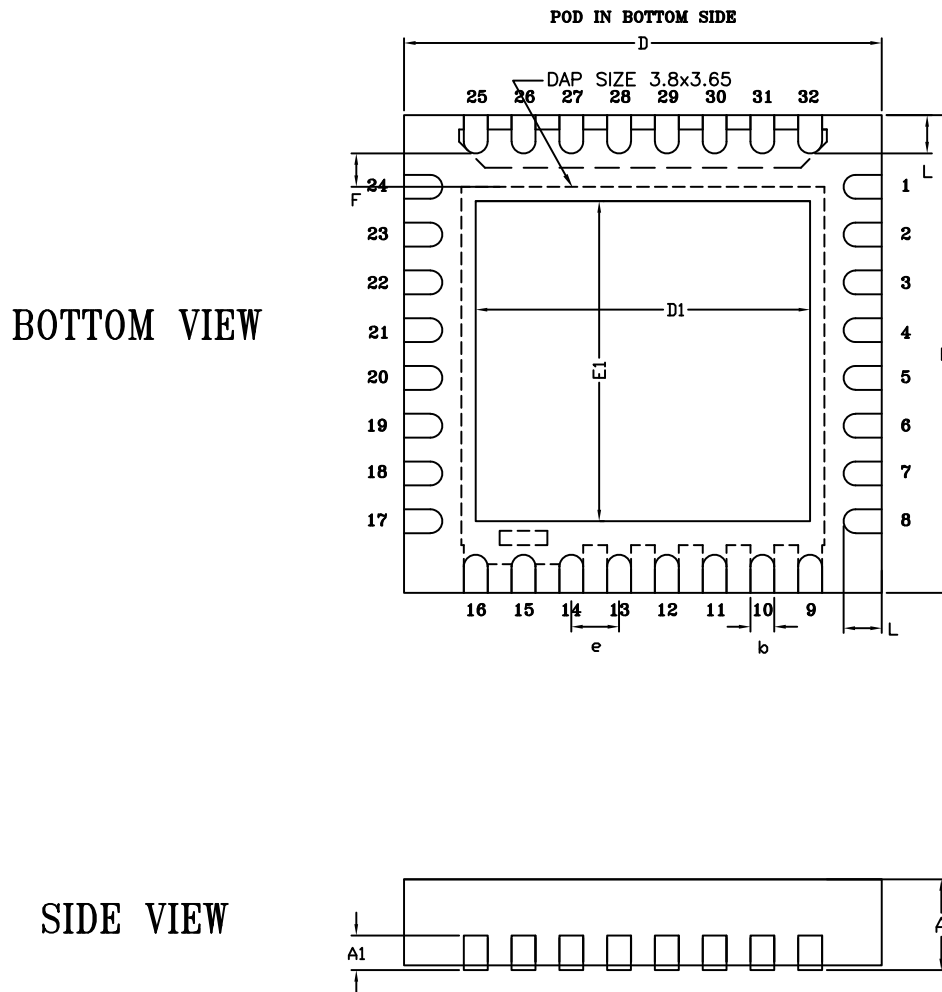
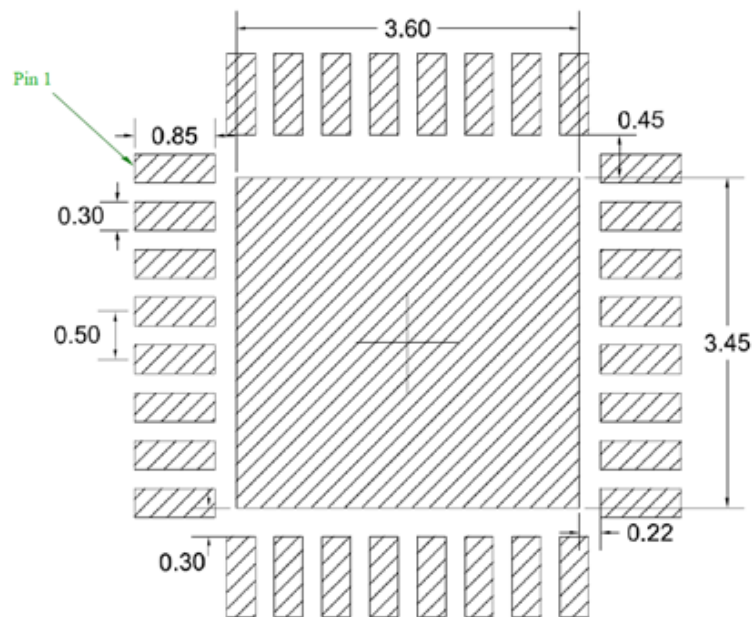


Table 7. QFN 32 (5 x 5) package mechanical data

Dim.	mm		
	Min.	Typ.	Max.
A	0.90	0.95	1
A1		0.20	
D	4.90	5.00	5.10
D1	3.40	3.50	3.60
E	4.90	5.00	5.10
E1	3.25	3.35	3.45
e		0.50	
F		0.35	
b	0.20	0.25	0.30
L	0.30	0.40	0.50

Figure 35. QFN 32 (5 x 5) recommended footprint



8.2 QFN 32 (5 x 5) packing information

Figure 36. QFN 32 (5 x 5) carrier tape

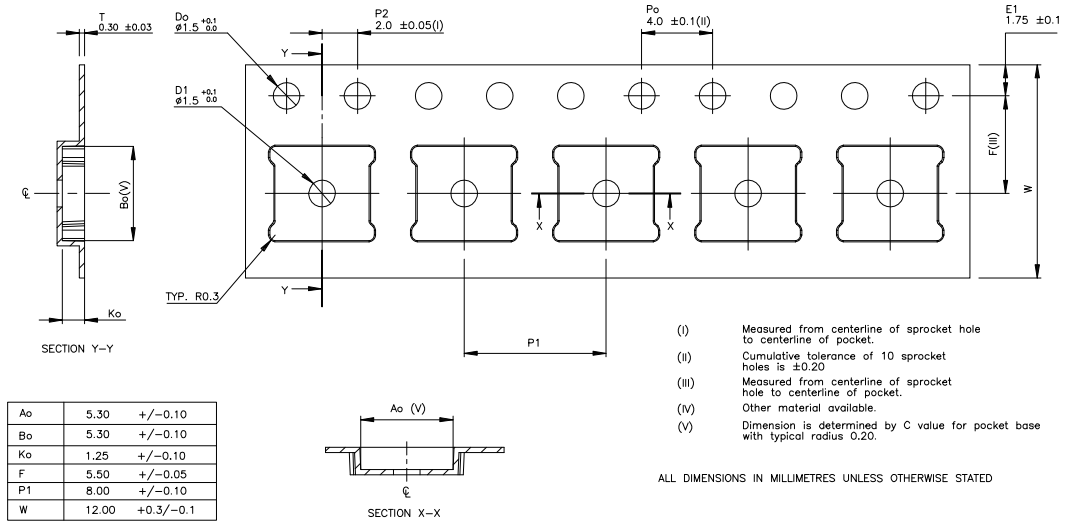


Figure 37. Pin 1 orientation in tape

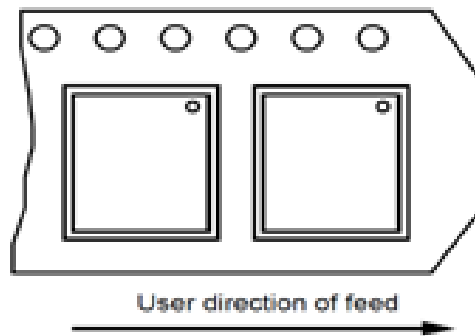


Figure 38. QFN 32 (5 x 5) reel outline

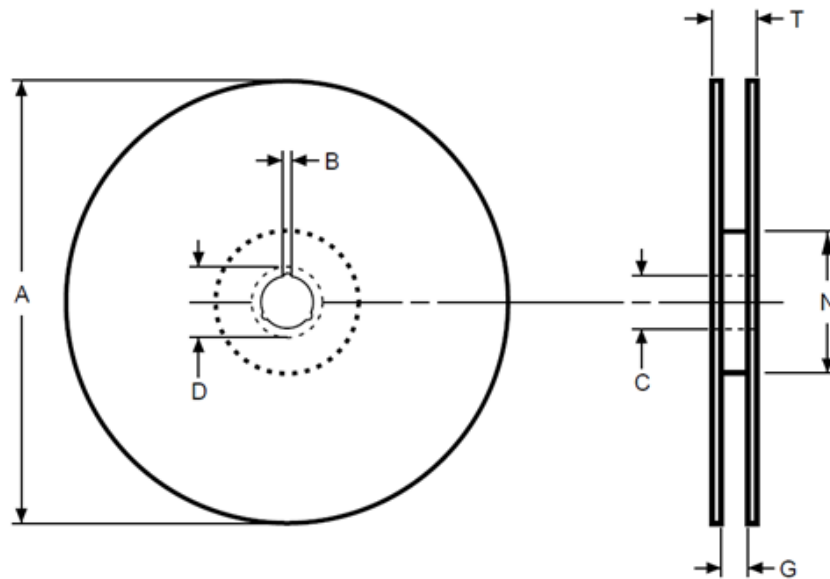


Table 8. QFN 32 (5 x 5) reel data

Reel size	Tape width	A (max.)	B (min.)	C	D (min.)	G (max.)	N (min.)	T (max.)	Unit
13"	0.90	330	1.5	13 ± 0.2	20.2	12.6	100	18.4	mm

9 Ordering information

Table 9. Order codes

Order code	Package	Packaging	Marking
STEF12H60MPUR	QFN32 (5 x 5)	Latch	EF12M60
STEF12H60MAPUR		Auto-retry	EF12M60A

Revision history

Table 10. Document revision history

Date	Revision	Changes
13-Jan-2021	1	Initial release.
19-Mar-2021	2	Removed footnote in Table 9 .

Contents

1	Diagram	2
2	Pin configuration	3
3	Typical application	5
4	Maximum ratings	8
5	Electrical characteristics	10
6	Device functional description	13
6.1	UVLO ON/PD function	13
6.2	ON/PD function	13
6.3	Soft-start	13
6.4	Normal operating conditions	14
6.5	Current sensing and current limit	14
6.6	Current monitor	15
6.7	Temperature monitor and thermal shutdown functions	16
6.8	Status indicators and fault conditions	16
6.9	Diagnostic functions and protections	17
6.10	Latch (STEF12H60MPUR) and auto-retry versions (STEF12H60MAPUR)	17
6.11	Parallel operation	18
7	Typical characteristics	20
8	Package information	25
8.1	QFN 32 (5 x 5) package information	25
8.2	QFN 32 (5 x 5) packing information	27
9	Ordering information	29
	Revision history	30

List of tables

Table 1.	Pin description	3
Table 2.	Absolute maximum ratings	8
Table 3.	Thermal data	8
Table 4.	Recommended operating conditions	9
Table 5.	Electrical characteristics	10
Table 6.	Output voltage rise time vs. C_{SS} value ($V_{IN} = 12\text{ V}$)	14
Table 7.	QFN 32 (5 x 5) package mechanical data	26
Table 8.	QFN 32 (5 x 5) reel data	28
Table 9.	Order codes	29
Table 10.	Document revision history	30

List of figures

Figure 1.	Block diagram	2
Figure 2.	Pin connection (top view)	3
Figure 3.	Typical application diagram (external controller used for C_{LREF} pin)	5
Figure 4.	Typical application diagram (current limit fixed via R_{CL})	6
Figure 5.	Typical application diagram (multiple e-fuses in parallel)	7
Figure 6.	Current monitor simplified circuit	16
Figure 7.	Additional connections for multiple STEF12H60MAPUR (autoretry version)	19
Figure 8.	Quiescent current vs. temperature	20
Figure 9.	Shutdown current vs. temperature	20
Figure 10.	I_{MON} gain accuracy vs. load current and temperature	20
Figure 11.	I_{MON} current vs. load current	20
Figure 12.	CS current vs. temperature	21
Figure 13.	V_{CLREF} threshold vs. temperature	21
Figure 14.	CLREF pin bias current vs. temperature	21
Figure 15.	V_{DD} voltage vs. temperature	21
Figure 16.	V_{TEMP} voltage vs. temperature	21
Figure 17.	UVLO thresholds vs. temperature	21
Figure 18.	ON/PD thresholds vs. temperature	22
Figure 19.	ON/PD pin current vs. temperature	22
Figure 20.	SS pin bias current vs. temperature	22
Figure 21.	Turn-on initial delay vs. temperature	22
Figure 22.	On-resistance vs. temperature	22
Figure 23.	Off-state leakage current vs. temperature	22
Figure 24.	Startup by V_{IN} (no load)	23
Figure 25.	Shutdown by V_{IN} (no load)	23
Figure 26.	Startup by V_{IN} ($C_{OUT} = 6200 \mu F$, no load)	23
Figure 27.	Startup by V_{IN} ($C_{OUT} = 6200 \mu F$, 15 A, res. load)	23
Figure 28.	Startup by ON/PD (no load)	23
Figure 29.	Shutdown by ON/PD (no load)	23
Figure 30.	Startup by ON/PD ($I_{OUT} = 15 A$, $C_{OUT} = 6800 \mu F$)	24
Figure 31.	Shutdown by ON/PD ($I_{OUT} = 15 A$, $C_{OUT} = 6800 \mu F$)	24
Figure 32.	Startup into output short-circuit	24
Figure 33.	Output short-circuit during operation	24
Figure 34.	QFN 32 (5 x 5) package outline	25
Figure 35.	QFN 32 (5 x 5) recommended footprint	26
Figure 36.	QFN 32 (5 x 5) carrier tape	27
Figure 37.	Pin 1 orientation in tape	27
Figure 38.	QFN 32 (5 x 5) reel outline	28