



STEVAL-CCA023V1

Demonstration board for low noise microphone preamplifier
with 2 V bias based on the TS472

Data brief

Features

- Low noise: 10 nV / $\sqrt{\text{Hz}}$ typ. equivalent input noise @ F=1 kHz
- Fully differential input/output
- 2.2 V to 5.5 V single supply operation
- Low power consumption @20 dB: 1.8 mA
- Fast start up time @ 0dB: 5 ms typ.
- Low distortion: 0.1% typ.
- 40 kHz bandwidth @ -3 dB and adjustable gain
- Active low standby mode function (1 μ A max)
- Low noise 2.0 V microphone bias output
- Available in flip-chip ECOPACK[®] package and QFN24 4x4 mm
- ESD protection (2 kV)
- RoHS compliant



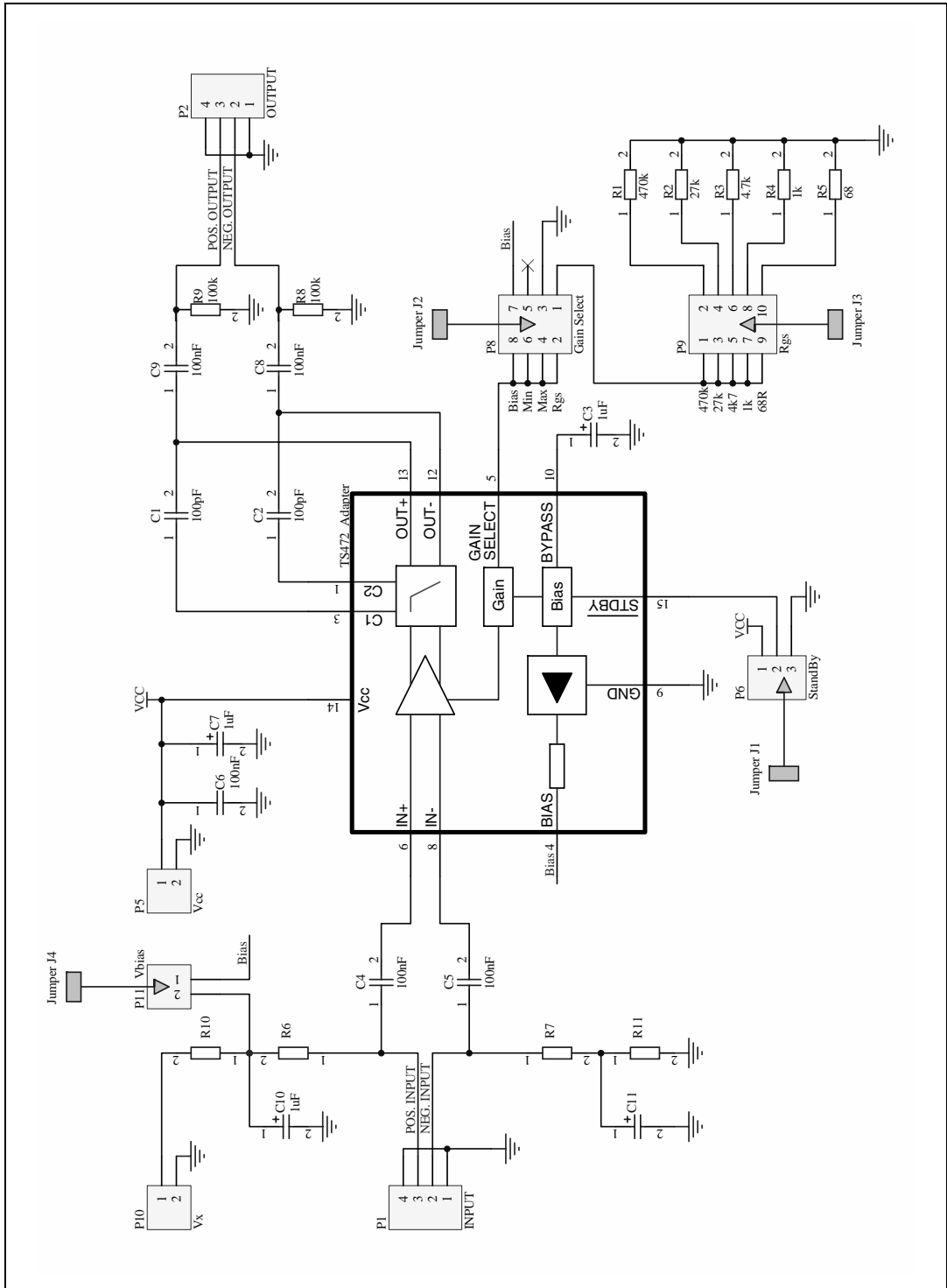
Description

The STEVAL-CCA023V1 demonstration board is designed as an evaluation platform for the TS472 low noise microphone preamplifier with 2.0 V bias and active low standby mode.

The board supports customization of the testing conditions, allowing the gain of the TS472 device to be adjusted, or an electret microphone to be biased either externally or using the TS472 built-in 2.0 V bias voltage.

1 Schematic circuit

Figure 1. Demonstration board schematic diagram



2 Revision history

Table 1. Document revision history

Date	Revision	Changes
14-Aug-2009	1	Initial release.