



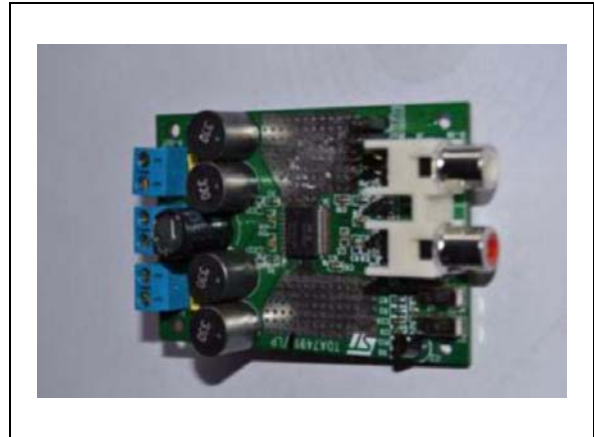
STEVAL-CCA042V1

20 W + 20 W dual BTL class-D audio amplifier demonstration board based on the TDA7491HV

Data brief

Features

- 20 W +20 W continuous output power at THD = 10%, $R_L = 8 \Omega$, $V_{CC} = 18 V$
- 9.5 W + 9.5 W continuous output power at THD = 10%, $R_L = 8 \Omega$, $V_{CC} = 12 V$
- Wide-range single-supply operation (5 - 18 V)
- High efficiency ($\eta = 90\%$)
- Four selectable, fixed gain settings (20 dB, 26 dB, 30 dB and 32 dB)
- Differential inputs to minimize common-mode noise
- Filterless operation
- Standby and mute features
- Short-circuit and thermal overload protections
- Externally synchronizable
- RoHS compliant



Description

The STEVAL-CCA042V1 demonstration board is designed for the TDA7491HV high-power dual BTL class-D audio amplifier.

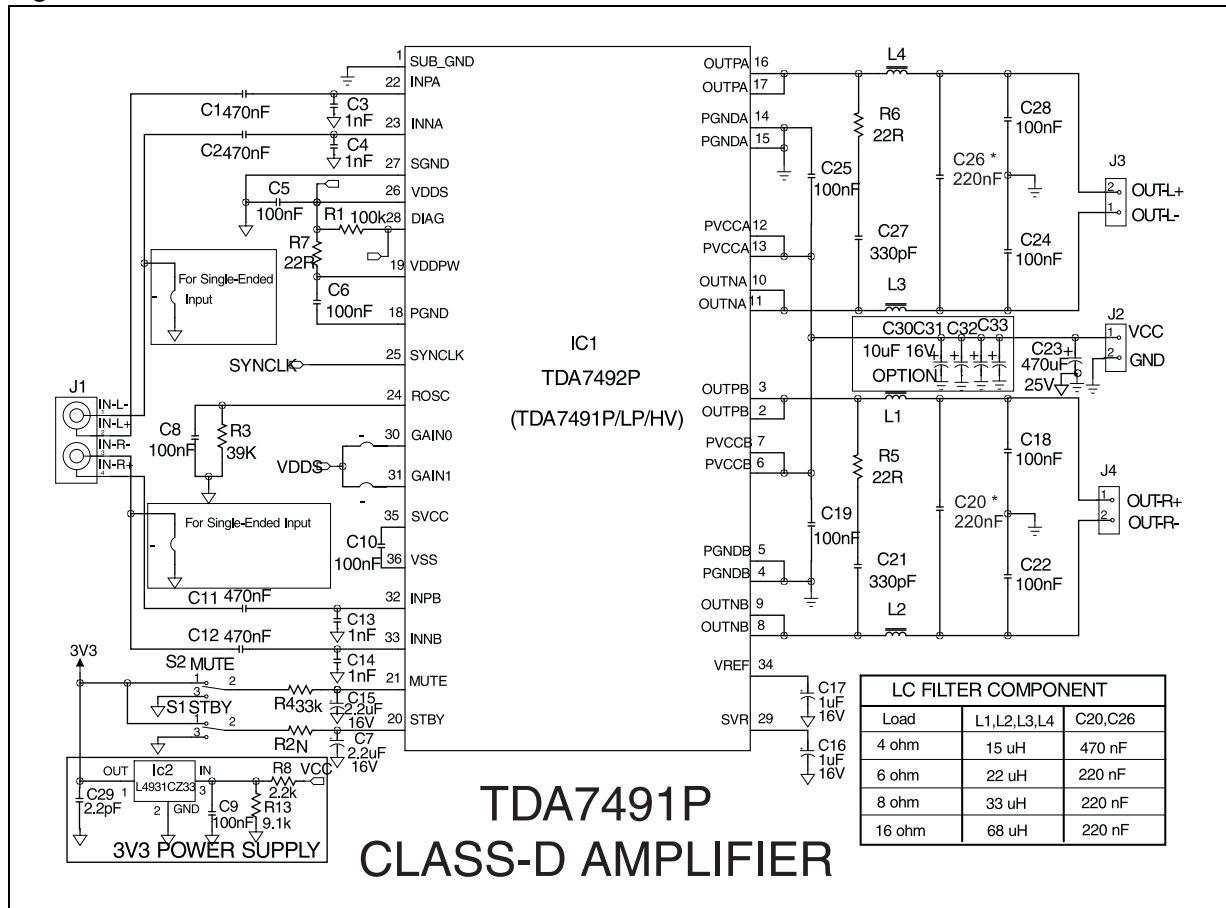
Thanks to its high efficiency, the device assembled in the PSSO36 (slug-down) package is capable of dissipating heat without a heatsink.

Jumpers on the board allow configuration of the amplifier to verify all the features as single-ended or differential inputs, fixed gain settings.

Microswitches are also provided to enable the standby and mute functions

1 Schematic diagram

Figure 1. STEVAL-CCA042V1 circuit schematic



2 Revision history

Table 1. Document revision history

Date	Revision	Changes
25-Oct-2012	1	Initial release.