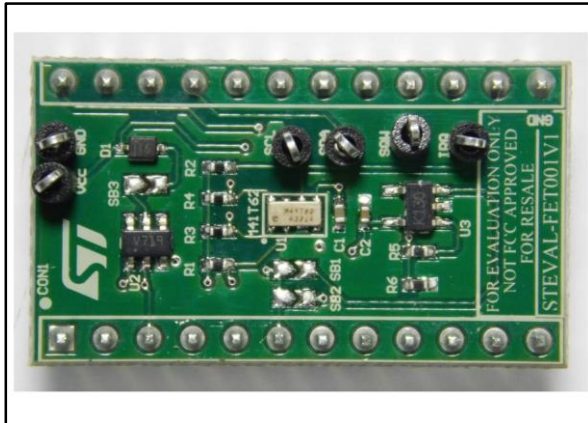


M41T62LC6F adapter board for a standard DIL 24 socket

Data brief



Features

- Complete M41T62LC6F pinout (I²C interface) for a standard DIL 24 socket
- RoHS compliant

Description

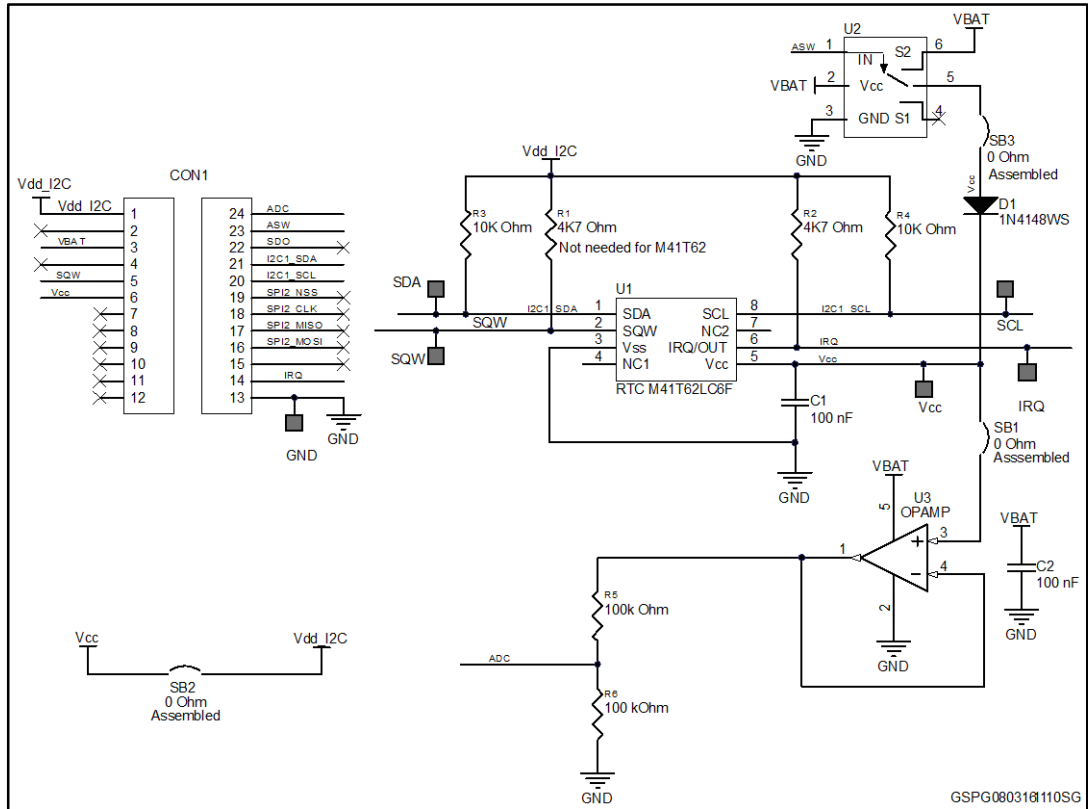
The STEVAL-FET001V1 is an adapter board for the evaluation of the M41T62LC6F low-power serial real-time clock (RTC) with alarm. The board offers an effective solution for fast system prototyping and device evaluation directly inside your application.

The STEVAL-FET001V1 can be plugged into a standard DIL 24 socket.

The adapter provides the complete M41T62LC6F pinout and comes ready-to-use with the required diode and capacitor for stand-by operation when the main supply is absent. The square wave and interrupt pins are also easily accessible thanks to dedicated test points.

1 Schematic diagram

Figure 1: STEVAL-FET001V1 circuit schematic



2 Revision history

Table 1: Document revision history

Date	Version	Changes
11-Mar-2016	1	Initial release.