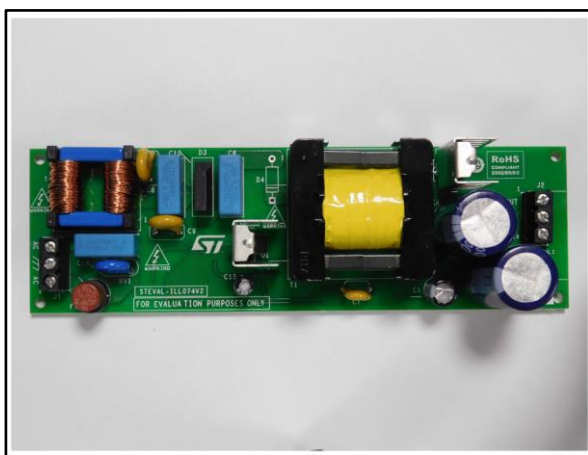


60 W wide input range flyback converter using HVLED001A controller in FOT mode

Data brief



Description

The STEVAL-ILL074V2 provides a stable, insulated 52 V voltage bus suitable for secondary side circuitry (e.g. LED current generators), for a total output power of 60 W given a wide range of input voltage range. An auxiliary 15 V output is also present to supply small circuitries absorbing a maximum current of 50 mA.

A very high power factor is obtained thanks to the features of the HVLED001A device. Input voltage variations, excessive input voltage (overvoltages like surges or bursts) and very low input voltages are managed by the HVLED001A protections, improving the reliability of the application.

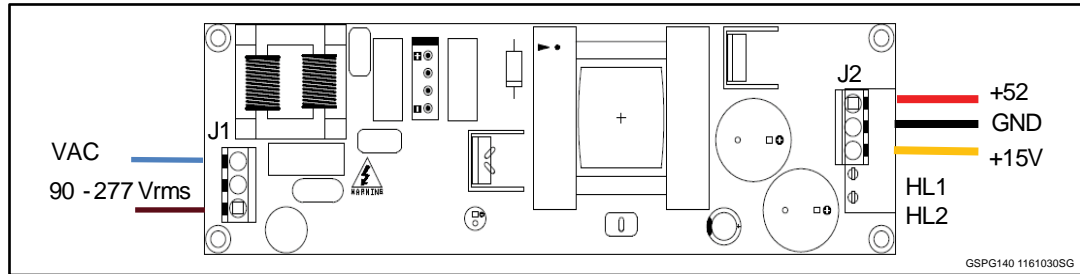
Output short circuit and overload protections are available with auto-restart for safe operation in lighting environments.

Features

- Input voltage: $V_{in} = 90 - 277 V_{rms}$, $f = 45-66$ Hz
- Output voltage: 52 V / 1.2 A
- High power factor, low THD
- Full load efficiency: above 90%
- Short circuit protection
- Safety: compliant with EN60065
- PCB board: 165 mm x 50 mm double-sided PCB
- RoHS compliant

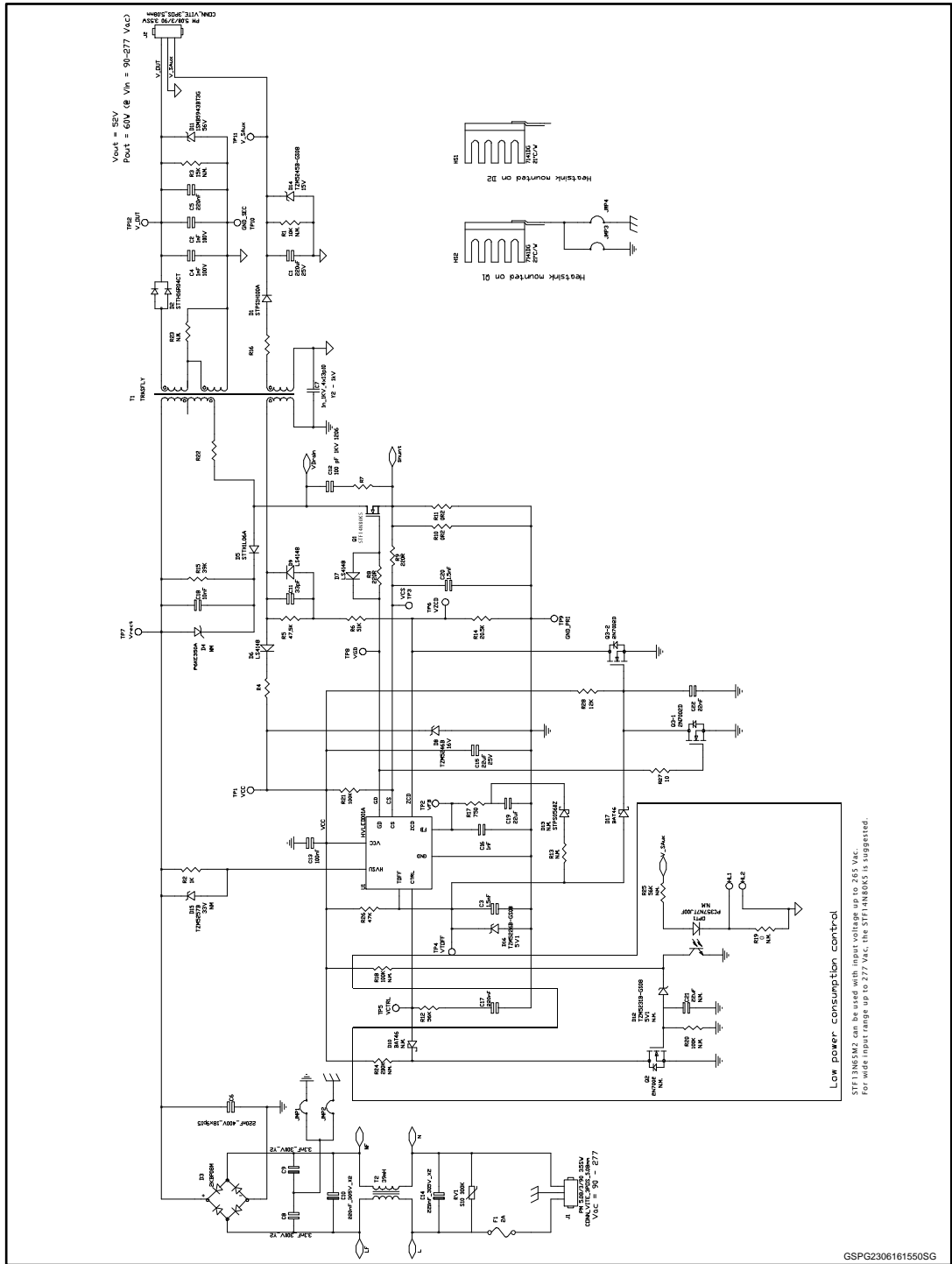
1 Board circuit

Figure 1: Board connections



2 Schematic diagram

Figure 2: STEVAL-ILL074V2 circuit schematic



GSPG2306161550SG

3 Revision history

Table 1: Document revision history

Date	Version	Changes
18-Jan-2016	1	Initial release.
19-Feb-2016	2	Updated: title on the cover page and figure 2 STEVAL-ILL074V2 circuit schematic.
10-Mar-2016	3	Updated: Figure 2 STEVAL-ILL074V2 circuit schematic.
23-Jun-2016	4	Updated: Figure 2 STEVAL-ILL074V2 circuit schematic.
20-Feb-2017	5	Updated: Figure 2: "STEVAL-ILL074V2 circuit schematic" .