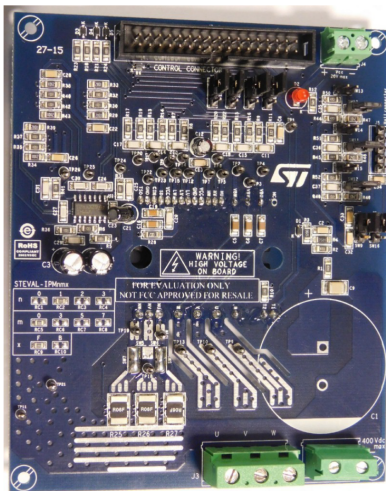


1000 W motor control power board based on STGIF10CH60TS-L SLLIMM™ 2nd series IPM



Features

- Input voltage: 125 - 400 V_{DC}
- Nominal power: up to 1000 W
- Nominal power: up to 6 A
- Input auxiliary voltage: up to 20 V DC
- Single- or three- shunt resistors for current sensing (with sensing network)
- Two options for current sensing: dedicated op-amps or through MCU
- Overcurrent hardware protection
- IPM temperature monitoring and protection
- Hall sensor or encoder input
- Uses the STGIF10CH60TS-L IGBT intelligent power module from the 2nd series of SLLIMM™ IPMs
- Motor control connector (32-pin) to interface with ST MCU boards
- Universal conception for further evaluation with breadboard and testing pins
- Very compact size
- RoHS compliant

Description

The **STEVAL-IPM10F** is a compact motor drive power board based on the SLLIMM™ (small low-loss intelligent molded module) 2nd series module **STGIF10CH60TS-L**. It provides an affordable and easy-to-use solution for driving high power motors for a wide range of applications such as white goods, air conditioners, compressors, power fans, high-end power tools, and generally 3-phase inverters for motor drives. The IPM itself consists of short-circuit rugged IGBTs and a wide range of features such as undervoltage lockout, smart shutdown, temperature sensing and NTC inside, and overcurrent protection.

The main characteristics of this evaluation board are its small size, minimal BOM and high efficiency. It consists of an interface circuit (BUS and V_{CC} connectors), bootstrap capacitors, snubber capacitor, hardware short-circuit protection, fault event signal, and temperature monitoring. In order to increase its flexibility, it was designed to work in single or three shunt-configuration and with double current sensing options such as three dedicated op-amps on-board, or op-amps embedded on the MCU. A Hall/Encoder part completes the circuit. Thanks to these advanced characteristics, the system has been specifically designed to achieve accurate and fast conditioning of the current feedback, matching the typical requirements for field-oriented control (FOC). The STEVAL-IPM10F is compatible with ST's STM32-based control board, providing a complete platform for motor control.

Product summary

STEVAL-IPM10F compact motor drive power board	STEVAL-IPM10F
STGIF10CH60TS-L SLLIMM™ 2nd series IPM	STGIF10CH60TS- L

1 Schematic diagram

Figure 1. STEVAL-IPM10F circuit schematic (1 of 6)

STEVAL-IPMnmx decoder

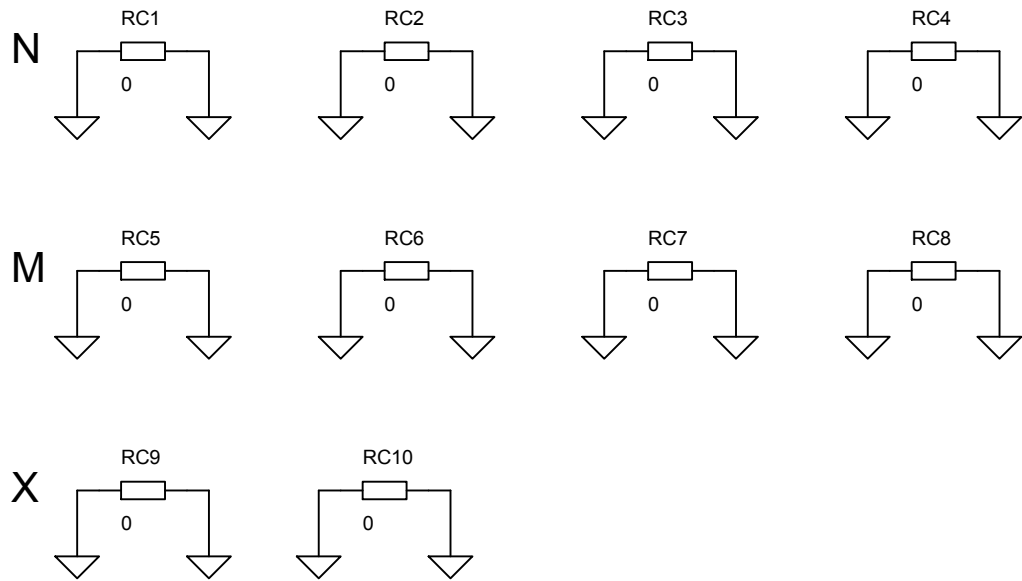


Figure 2. STEVAL-IPM10F circuit schematic (2 of 6)

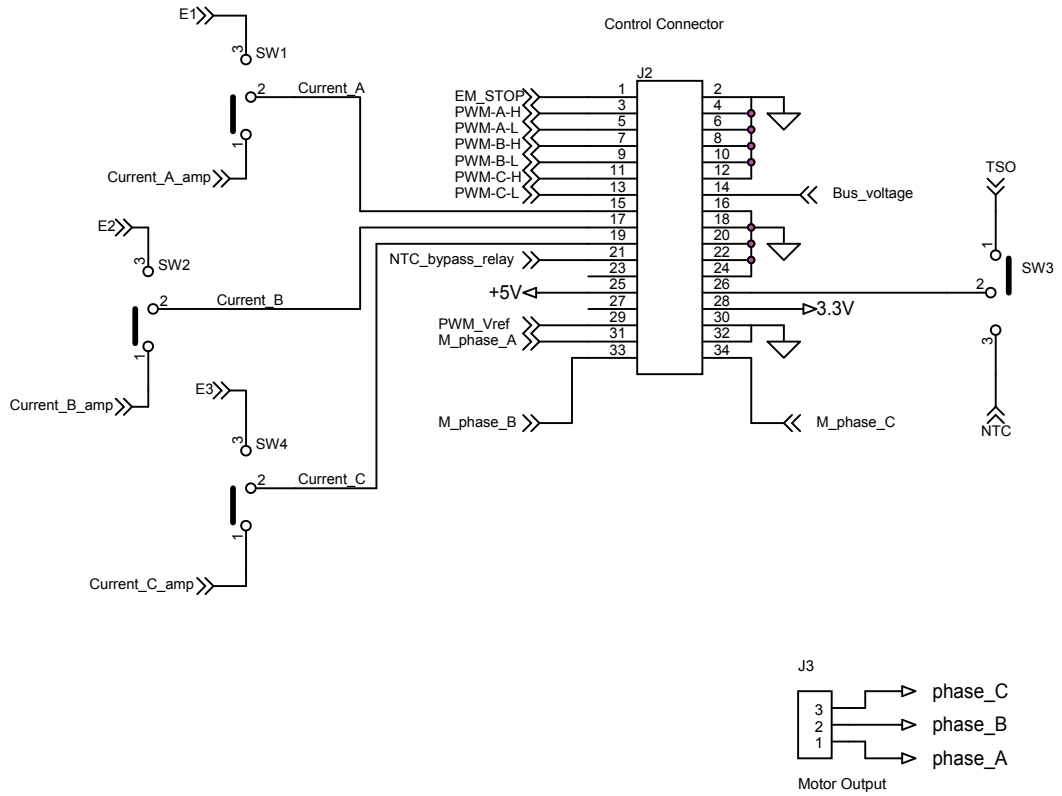


Figure 3. STEVAL-IPM10F circuit schematic (3 of 6)

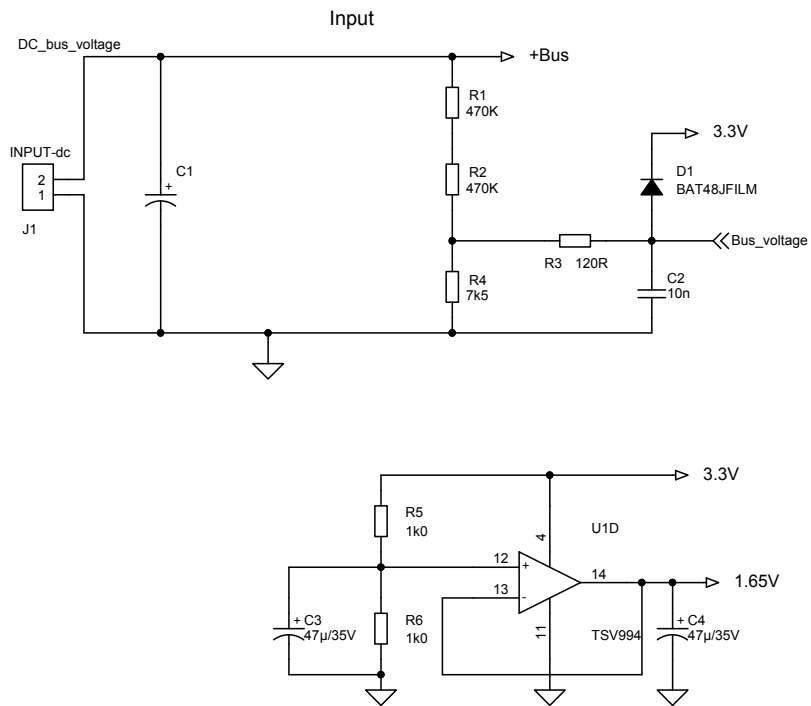


Figure 4. STEVAL-IPM10F circuit schematic (4 of 6)

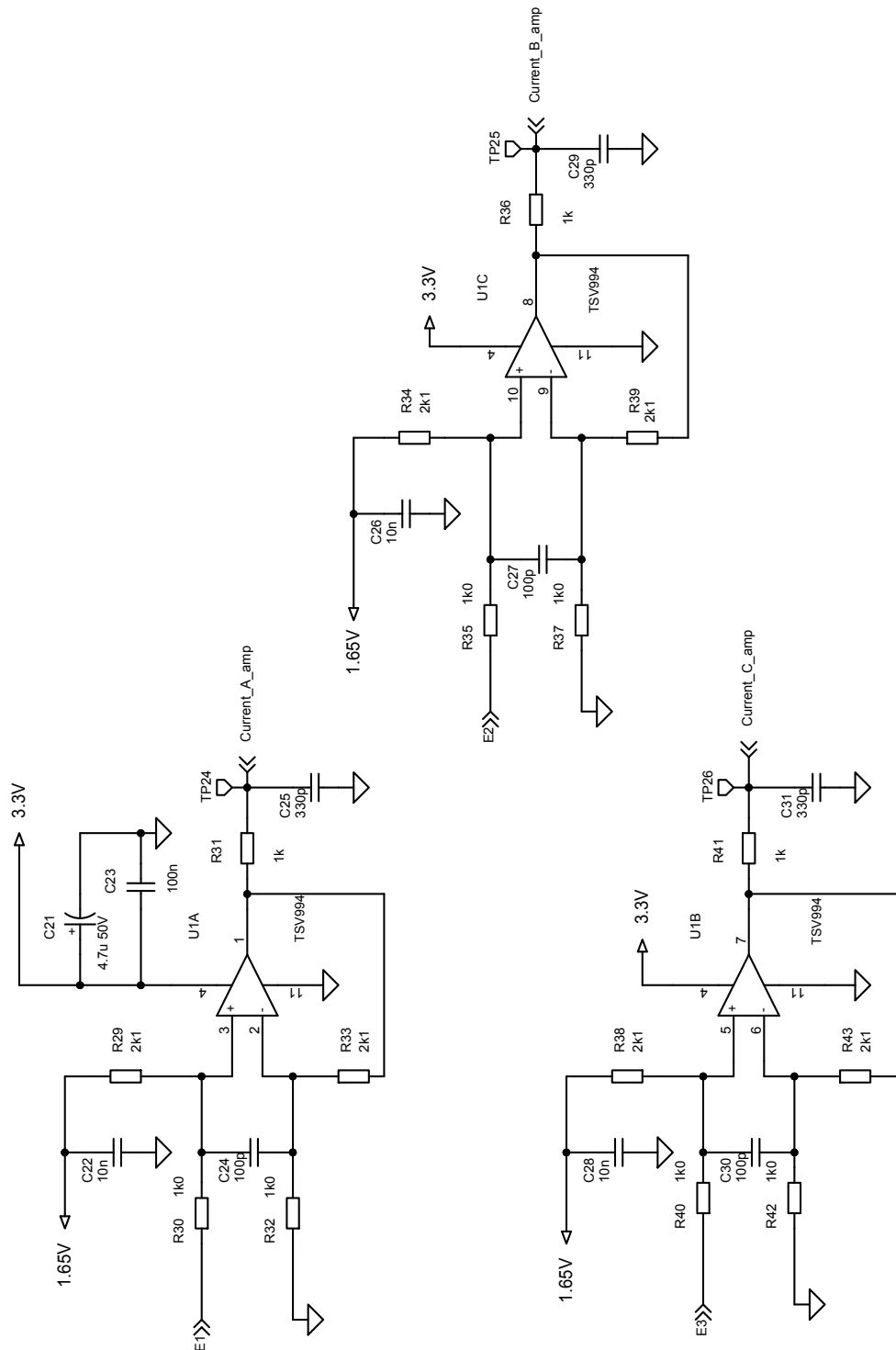


Figure 5. STEVAL-IPM10F circuit schematic (5 of 6)

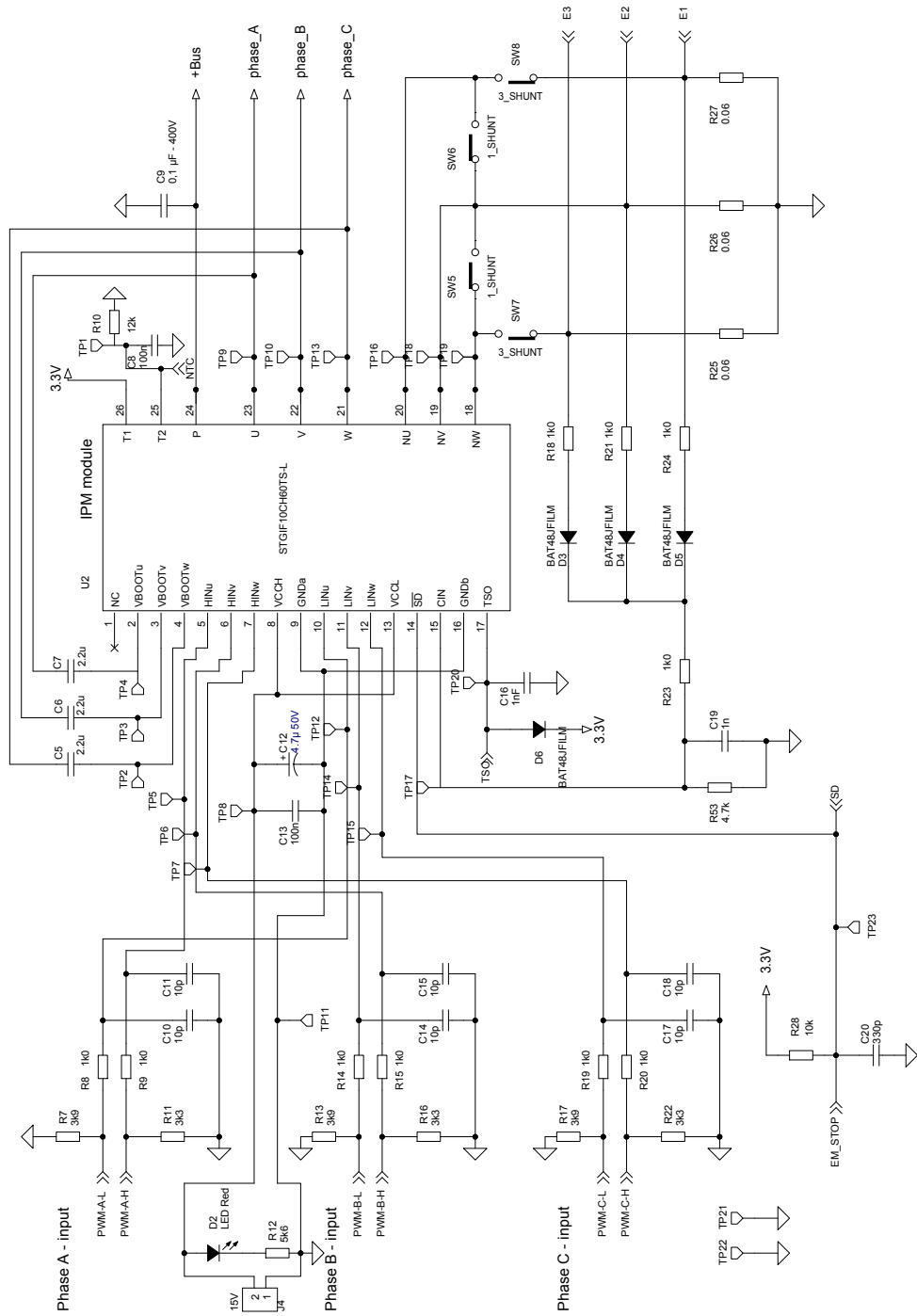
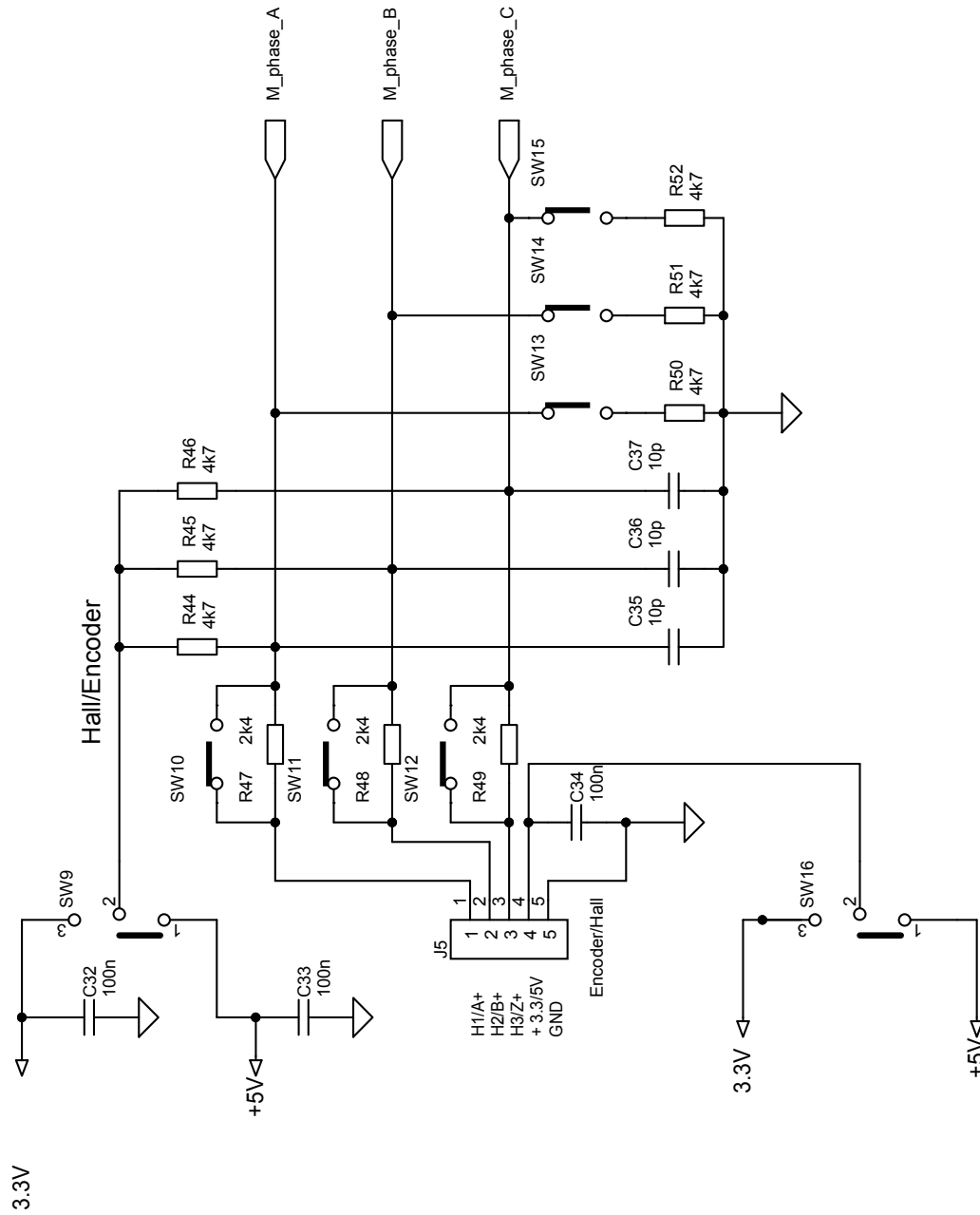


Figure 6. STEVAL-IPM10F circuit schematic (6 of 6)



Revision history

Table 1. Document revision history

Date	Version	Changes
12-Nov-2015	1	Initial release.
24-Feb-2016	2	Updated: figure 1 and figure 3.
06-Apr-2018	3	Update title, features and figure 5
16-Sep-2019	4	Updates Figure 3. STEVAL-IPM10F circuit schematic (3 of 6) and Figure 4. STEVAL-IPM10F circuit schematic (4 of 6)