



STEVAL-ISA092V1

2 A step-down switching demonstration board based on the L7980

Data brief

Features

- 2 A DC output current
- 4.5 V to 28 V input voltage
- Output voltage: 3.3 V (adjustable from 0.6 V)
- 250 kHz switching frequency, programmable up to 1 MHz
- Internal soft-start and enable
- Low dropout operation: 100% duty cycle
- Voltage feed-forward
- Zero load current operation
- Overcurrent and thermal protection
- RoHS compliant



Description

The STEVAL-ISA092V1 is a step-down switching power supply based on the L7980 in a QFN package.

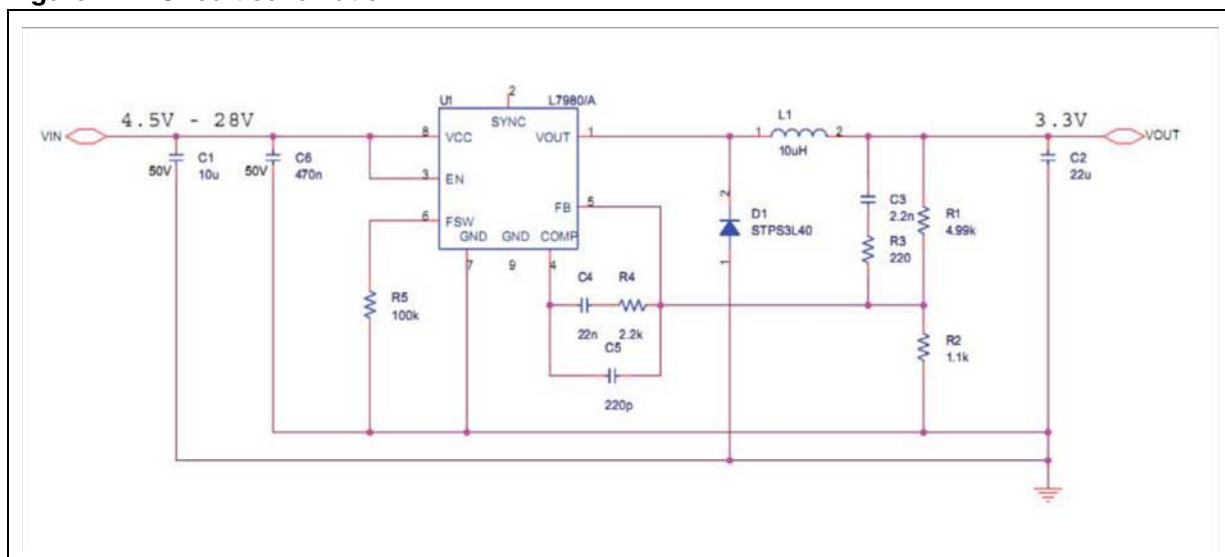
The L7980 is a step-down switching regulator with embedded Power MOSFET, so it is able to deliver up to 2 A current to the load depending on the application conditions.

The input voltage can range from 4.5 V to 28 V, while the output voltage can be set starting from 0.6 V to V_{IN} .

Requiring a minimum set of external components, the device includes an internal 250 kHz switching frequency oscillator that can be externally adjusted up to 1 MHz.

1 Circuit schematic

Figure 1. Circuit schematic



2 Revision history

Table 1. Document revision history

Date	Revision	Changes
21-Dec-2011	1	Initial release.