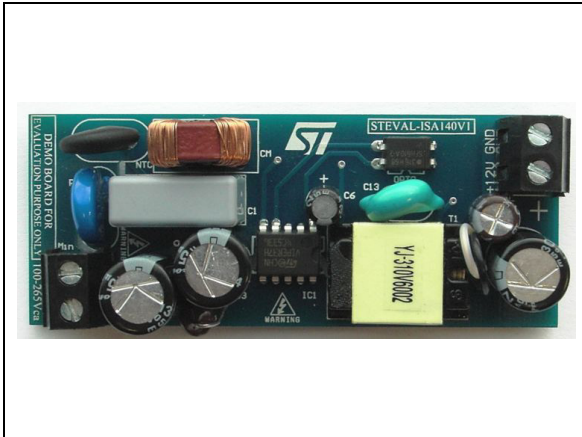


15W, 12V output, isolated flyback converter using VIPer™ Plus - VIPER37HE

Data brief



Description

The STEVAL-ISA140V1 is a 15 W wide range evaluation board based on the Viper37HE. It is designed as an example of an isolated auxiliary power supply.

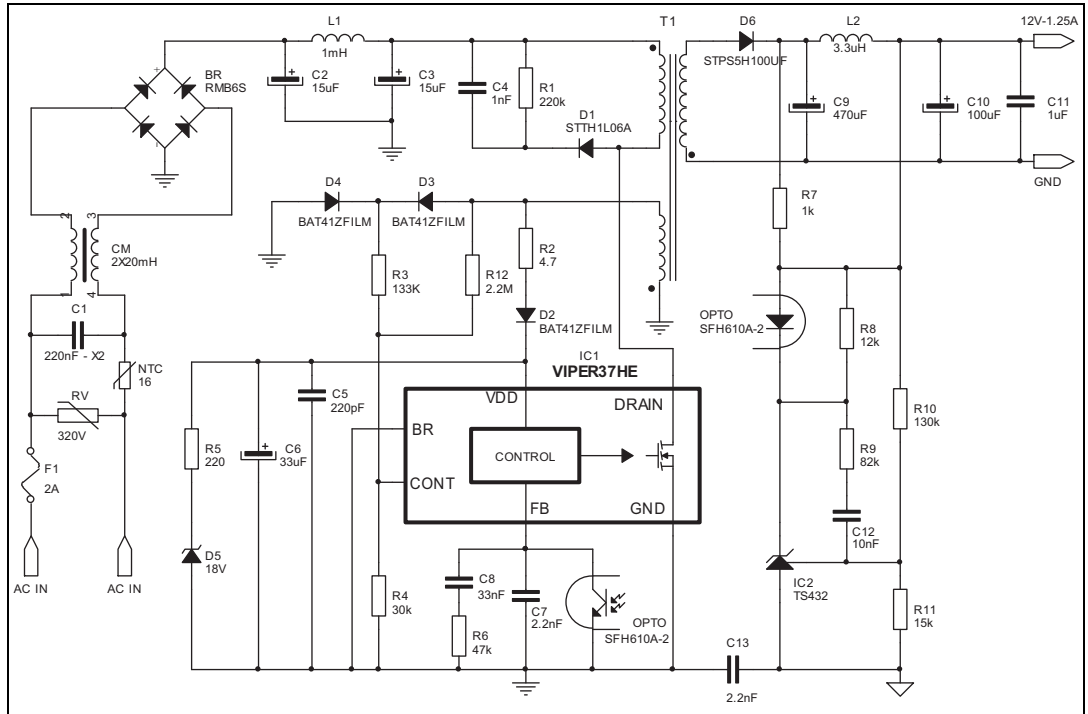
The board and the transformer were designed and optimized in order to have a very compact size evaluation board.

Features

- AC Main Input voltage range: 100 V_{AC} to 265 V_{AC}
- Mains frequency (f_L): 50 Hz / 60 Hz
- Output voltage typ: 12 V
- Output current: 1.25 A
- Output ripple voltage: 50 mV
- Rated output power: 15 W
- Input power in standby @230 V_{AC}: 50 mW
- Active mode efficiency: 78%
- Ambient operating temperature: 60 °C
- RoHS compliant

1 Schematic diagram

Figure 1. STEVAL-ISA140V1 circuit schematic



2 Revision history

Table 1. Document revision history

| Date | Revision | Changes |
|-------------|----------|-------------------------|
| 19-Dec-2013 | 1 | Initial release. |
| 14-Nov-2014 | 2 | Title has been updated. |