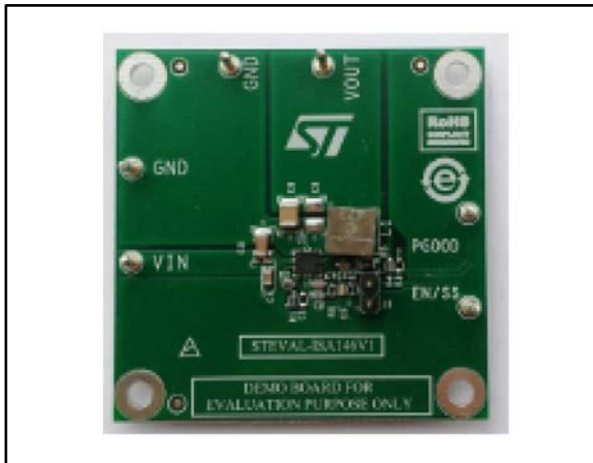


4 A step-down switching evaluation board based on the ST1S50

Data brief



Description

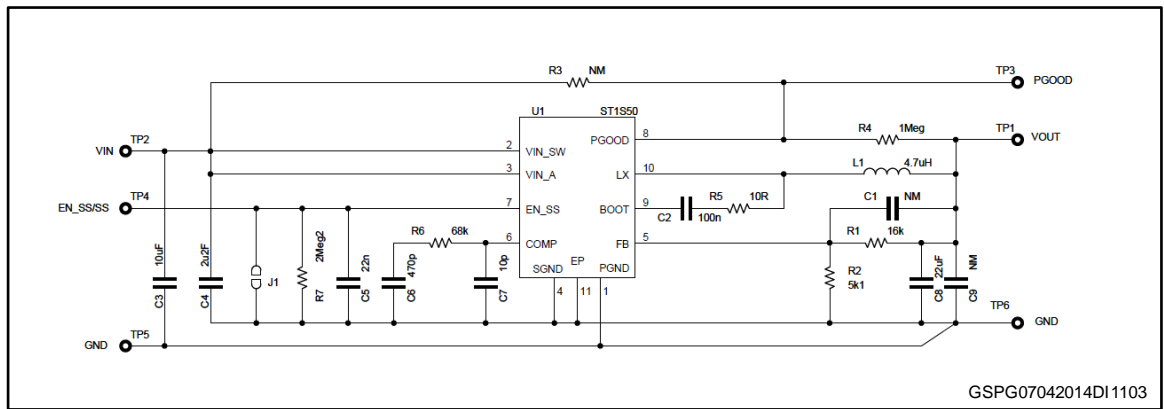
The STEVAL-ISA146V1 is a product evaluation board used to evaluate the ST1S50, a 500 kHz fixed-frequency PWM synchronous step-down regulator. The ST1S50 operates from a 4.0 V to 18 V input, while it regulates an output voltage as low as 0.8 V and up to $0.88 \times V_{IN}$.

Features

- 4 A output current
- 4.0 V to 18 V input voltage
- Output voltage adjustable from 0.8 V to $0.88 \times V_{IN}$
- 500 kHz switching frequency
- High efficiency at light load
- Programmable soft-start and enable
- Integrated 95 mW and 69 mW power MOSFETs
- All ceramic capacitor
- Power Good
- Cycle-by-cycle current limiting
- Short-circuit protection
- Hysteretical thermal shutdown
- RoHS compliant

1 Schematic diagram

Figure 1: Schematic circuit



2 Revision history

Table 1: Document revision history

Data	Revision	Changes
07-Apr-2014	1	Initial release