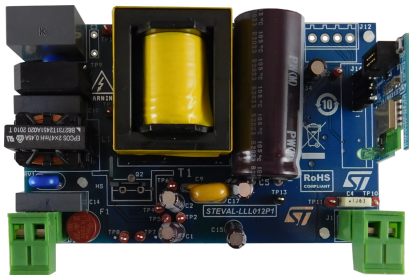


Smart LED driver with high power factor using BLE Mesh network for indoor lighting



Features

- 35 W LED driver with high power factor (HPF) flyback and constant current (CC) secondary regulation
- Wireless connectivity using BLE module
- ST BLE Mesh mobile app support
- Accepts remote on/off and PWM dimming commands (10 -100%)
- 0.7 A LED current
- 24 - 48 V LED voltage
- THD < 15%
- PF > 0.95 at full load for wide range input
- Efficiency >90%
- Standby consumption <0.3 W

Description

The STEVAL-LLL012V1 smart LED driver reference design is composed of a power board and a connectivity board.

The power board is a single stage LED driver with high power factor (HPF) and low total harmonic distortion (THD) tailored to LED power supply specifications for smart home lighting applications.

On the primary side, the HVLED001B controller manages the AC-DC HPF flyback converter. Primary side regulation and optocoupler control are applied independently on the chip, both exploiting precise regulation and very low standby power under no load conditions. The converter supplies a power output of 35 W maximum and a LED voltage in the range of 24 - 48 V with a constant current regulation of 0.7 A.

The power board can provide 3.3 V supply voltage (J12 pin 1) to the connectivity board (connected via J12) and to a common GND (J12 pin 4).

Thanks to the embedded programmable BlueNRG-M2SP, the connectivity board can manage the enable/disable state (J12 pin 3) and the PWM dimming (J12 pin 2) signals.

Product summary	
Smart LED driver with high power factor using BLE Mesh network	STEVAL-LLL012V1
Firmware for the STEVAL-LLL012V1	STSW-LLL012FW
High power factor flyback controller	HVLED001B
High voltage N-channel Power MOSFET designed using MDmesh™ K5 technology	STD10LN80K5
Software solution for connecting multiple BLE devices in Mesh networks	STSW-BNRG-Mesh
Very low power application processor module	BlueNRG-M2SP
Applications	LED Lighting Smart Home

1 Schematic diagrams

Figure 1. Power board circuit schematic

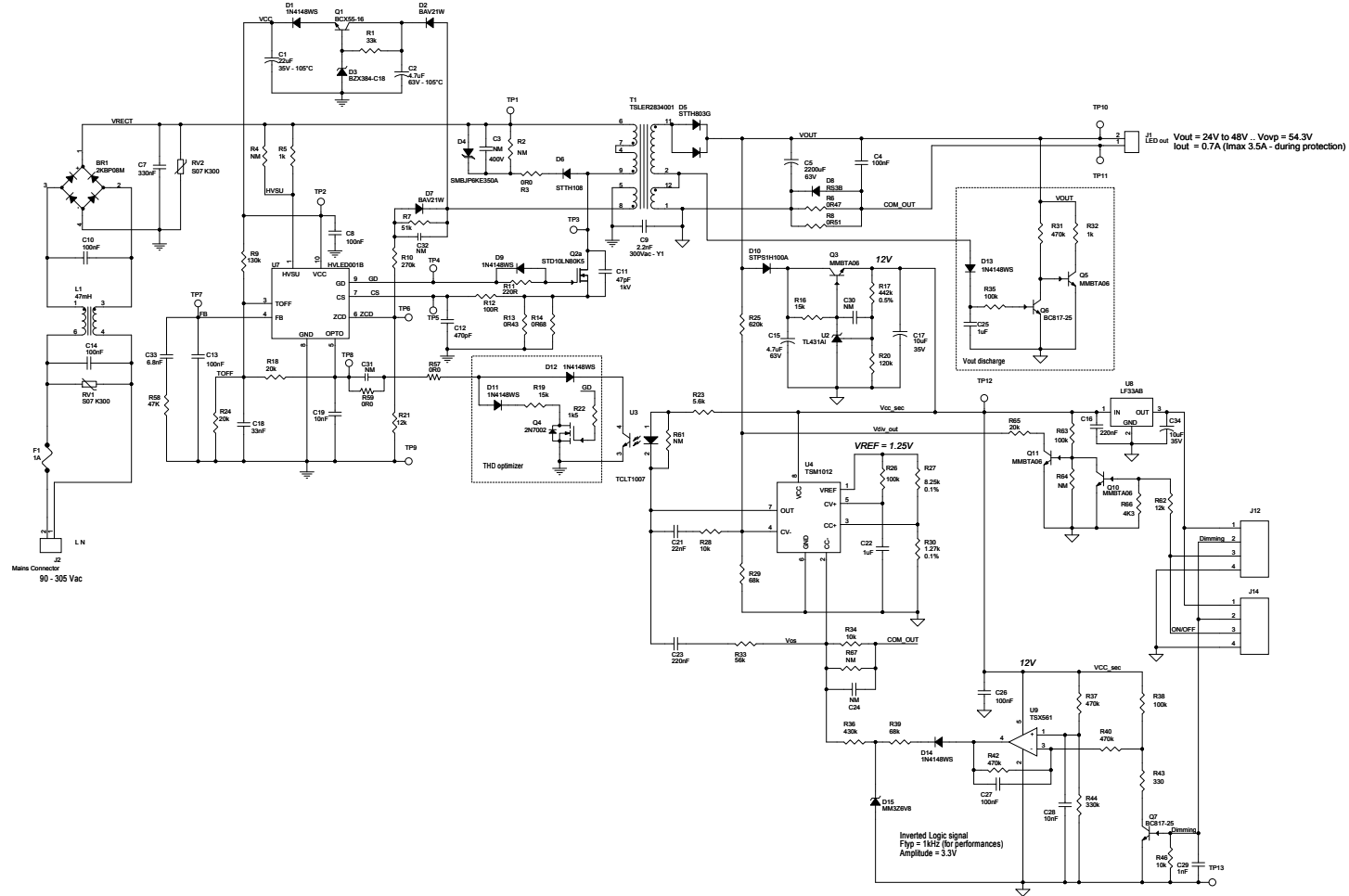
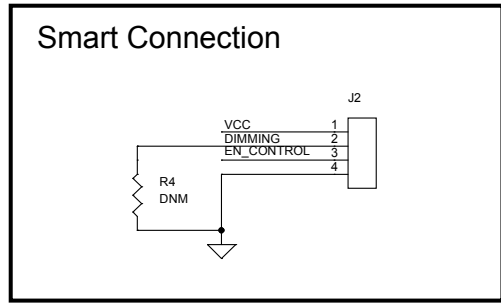
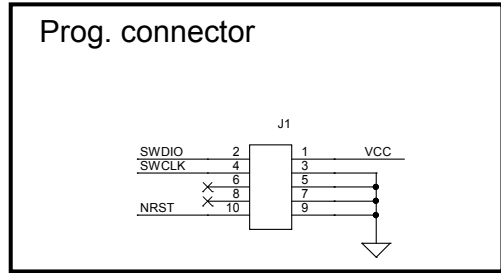
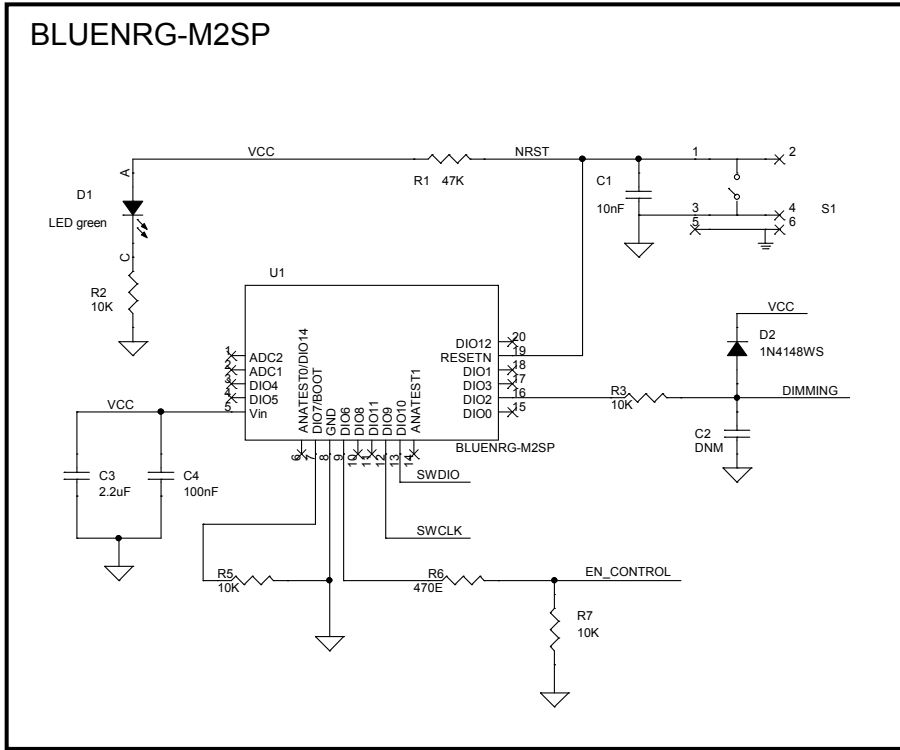


Figure 2. Connectivity board circuit schematic



Revision history

Table 1. Document revision history

Date	Version	Changes
24-Feb-2021	1	Initial release.
17-May-2021	2	Added STD10LN80K5 support.