

Microphone coupon board based on the MP23ABS1 analog MEMS



Features

- 4 x MP23ABS1 bottom port analog MEMS microphones
- V_{supply} from 1.52 to 3.6 V
- 130 dB SPL acoustic overload point
- Omnidirectional sensitivity
- Current consumption: 120 μ A
- 64 dB of SNR
- Sensitivity -38 dBV \pm 1 dB
- WEEE compliant
- RoHS compliant

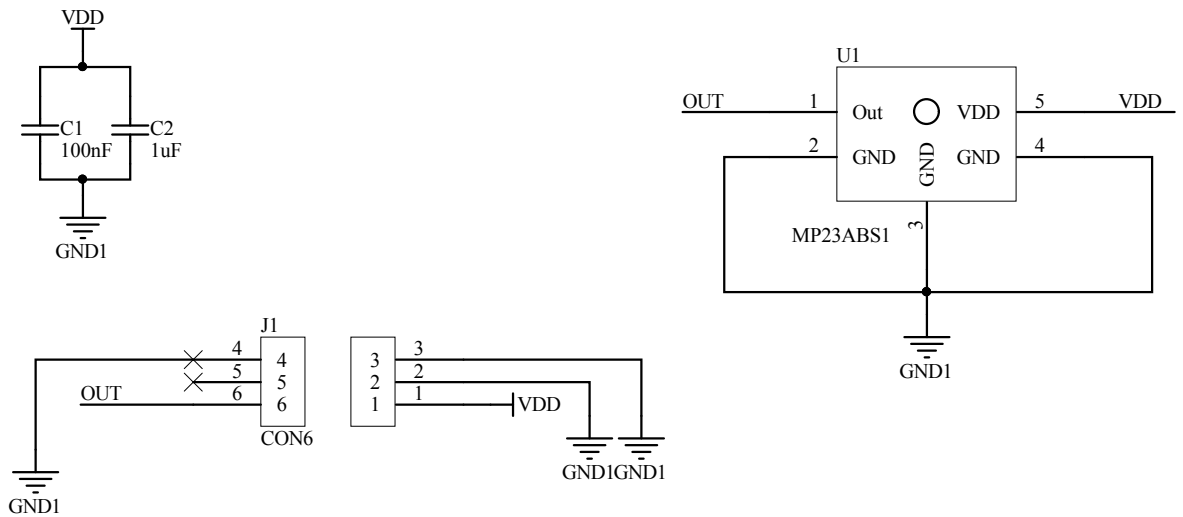
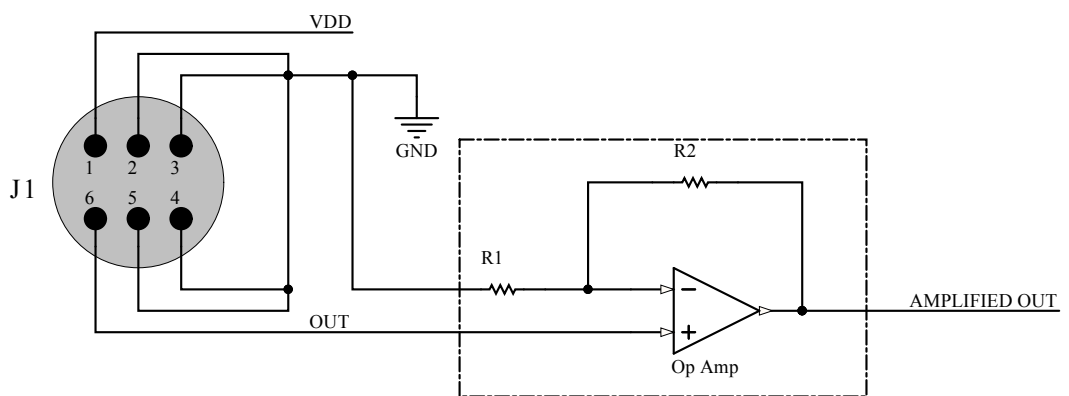
Description

The **STEVAL-MIC004V1** is a daughterboard containing 4 **MP23ABS1** analog MEMS microphones. The coupon concept allows easy performance testing of ST MEMS microphones. It is possible to detach the single PCBs hosting each microphone.

Summary table

Microphone coupon board based on the MP23ABS1 analog MEMS	STEVAL-MIC004V1
High performance MEMS audio sensor single ended analog bottom-port microphone	MP23ABS1

1 Schematic

Figure 1. STEVAL-MIC004V1 board schematic

Figure 2. STEVAL-MIC004V1_example of external electrical connections


Revision history

Table 1. Document revision history

Date	Version	Changes
12-Nov-2018	1	Initial release.