

Microphone coupon board based on the MP23DB02MM digital MEMS microphone



Features

- 4 x MP23DB02MM bottom port digital MEMS microphones
- Multi performance mode
- Vsupply from 1.6 to 3.6 V
- 122 dB SPL acoustic overload point
- PDM single-bit output
- 64 dB of SNR in low power mode
- Sensitivity -26 dBFS \pm 1 dB (in low power and performance mode)
- RoHS and WEEE compliant

Description

The STEVAL-MIC005V1 is a daughterboard containing 4 MP23DB02MM digital MEMS microphones.

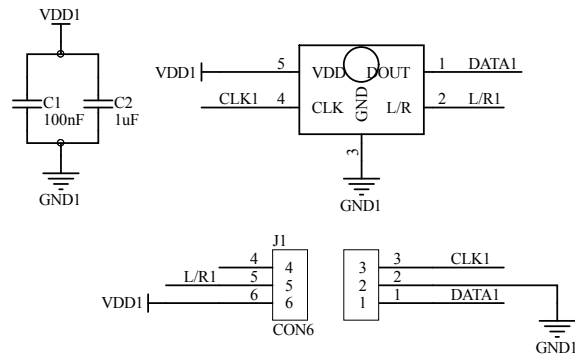
The STEVAL-MIC005V1 can be used with X-NUCLEO-CCA02M2.

The coupon concept allows easy performance testing of ST MEMS microphones. It is possible to detach the single PCBs hosting each microphone.

Summary table	
Microphone coupon board based on the MP23DB02MM digital MEMS microphone	STEVAL-MIC005V1
MEMS Multi performance mode digital microphone with same sensitivity value for each operative mode	MP23DB02MM
Digital MEMS microphone expansion board based on MP34DT06J for STM32 Nucleo	X-NUCLEO-CCA02M2

1 Schematic diagram

Figure 1. STEVAL-MIC005V1 board schematic



Revision history

Table 1. Document revision history

Date	Version	Changes
09-Mar-2020	1	Initial release.