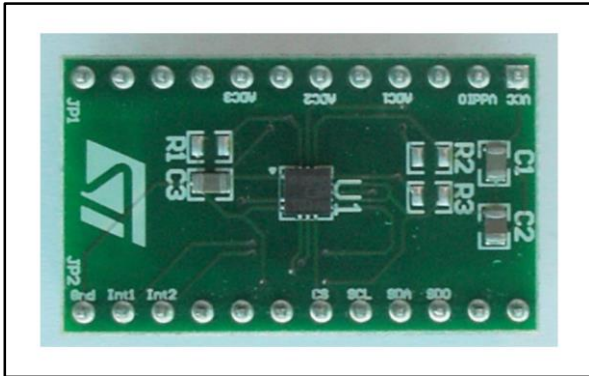


LIS3DH adapter board for a standard DIL 24 socket

Data brief



Features

- Complete LIS3DH pinout for a standard DIL 24 socket
- Fully compatible with the STEVAL-MKI109V2 and STEVAL-MKI109V3 motherboards
- RoHS compliant

Description

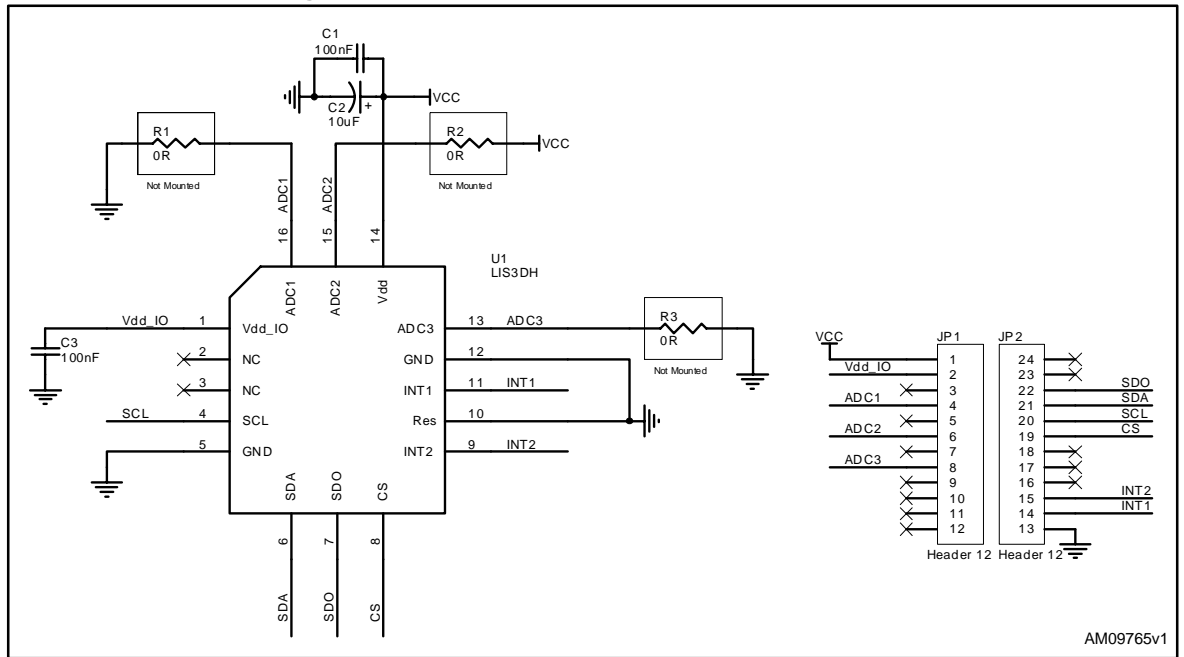
The STEVAL-MKI105V1 is an adapter board designed to facilitate the evaluation of MEMS devices in the LIS3DH product family. The board offers an effective solution for fast system prototyping and device evaluation directly within the user's own application.

The STEVAL-MKI105V1 can be plugged into a standard DIL 24 socket. The adapter provides the complete LIS3DH pinout and comes ready-to-use with the required decoupling capacitors on the V_{DD} power supply line.

This adapter is supported by the STEVAL-MKI109V2 and STEVAL-MKI109V3 motherboards which include a high-performance 32-bit microcontroller functioning as a bridge between the sensor and a PC, on which it is possible to use the downloadable graphical user interface (Unico GUI), or dedicated software routines for customized applications.

1 Schematic diagram

Figure 1: STEVAL-MKI105V1 circuit schematic



2 Revision history

Table 1: Document revision history

Date	Revision	Changes
12-May-2011	1	Initial release.
18-Oct-2013	2	Updated features and description to include information on the STEVAL-MKI109V2 motherboard and related software.
02-Sep-2016	3	Updated features and description adding STEVAL-MKI109V3 motherboard compatibility