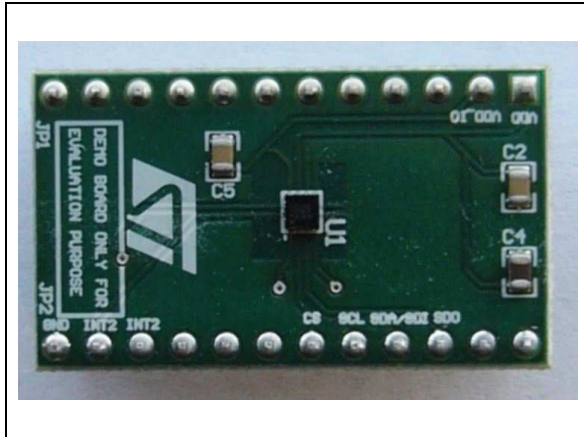


LIS2DH12 3-axis accelerometer adapter board for standard DIL 24 socket, compatible with STEVAL-MKI109V2

Data brief



Features

- Complete LIS2DH12 pinout for a standard DIL 24 socket
- Fully compatible with STEVAL-MKI109V2 motherboard
- RoHS compliant

Description

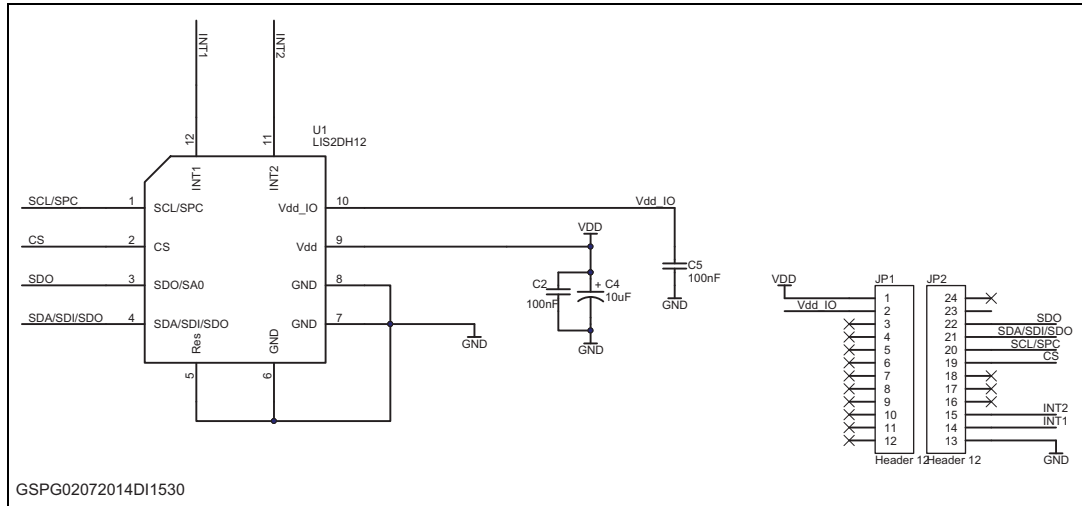
The STEVAL-MKI151V1 is an adapter board designed to facilitate the evaluation of MEMS devices in the LIS2DH12 product family. The board offers an effective solution for fast system prototyping and device evaluation directly within the user's own application.

The STEVAL-MKI151V1 can be plugged into a standard DIL 24 socket. The adapter provides the complete LIS2DH12 pinout and comes ready-to-use with the required decoupling capacitors on the VDD power supply line.

This adapter is supported by STEVAL-MKI109V2, which is a motherboard including a high-performance 32-bit microcontroller which functions as a bridge between the sensor and a PC, on which it is possible to use the downloadable graphical user interface (Unico GUI), or dedicated software routines for customized applications.

1 Schematic diagram

Figure 1. STEVAL-MKI151V1 circuit schematic



2 Revision history

Table 1. Document revision history

Date	Revision	Changes
07-Aug-2014	1	Initial release.
19-Sep-2014	2	Modified title in cover page.