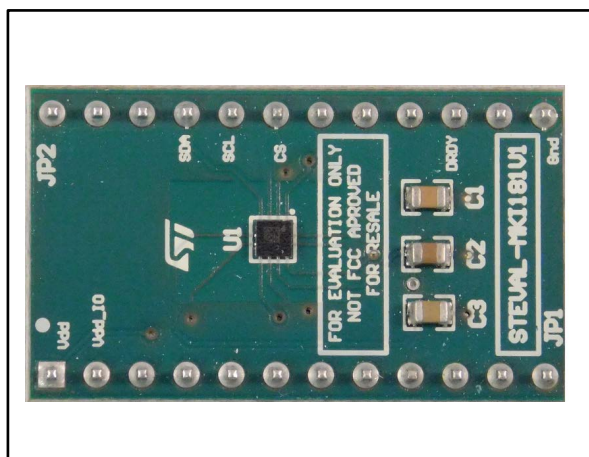


LIS2MDL adapter board for a standard DIL24 socket

Data brief



Features

- Complete LIS2MDL pinout for a standard DIL24 socket
- Fully compatible with STEVAL-MKI109V2 and STEVAL-MKI109V3 motherboards
- RoHS compliant

Description

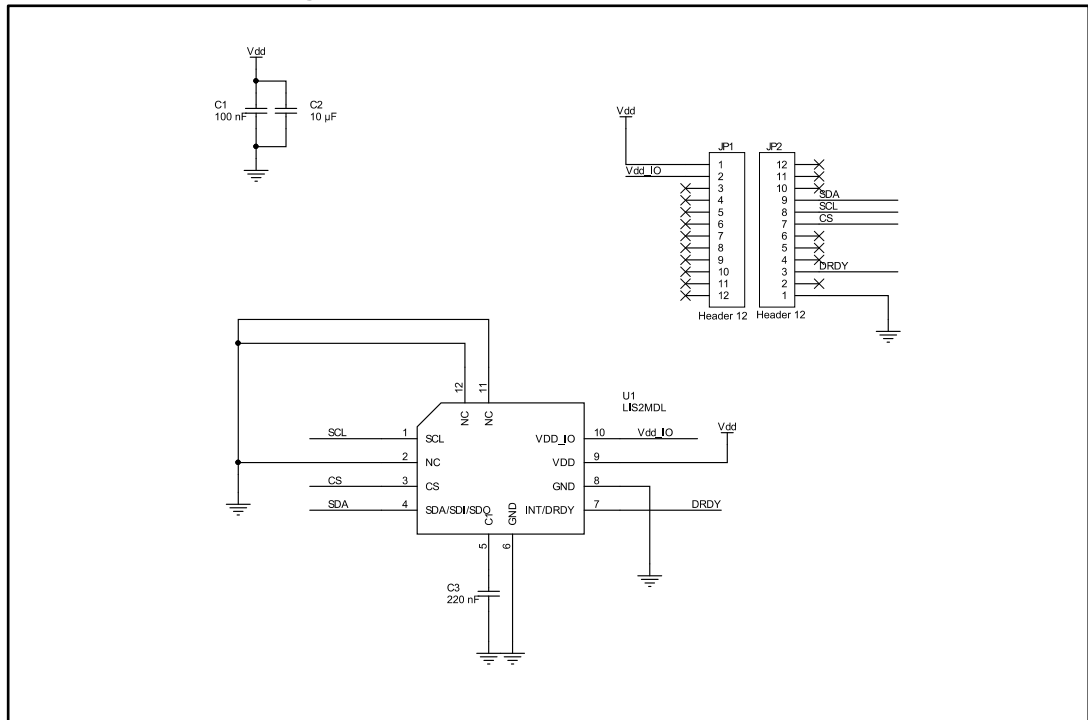
The STEVAL-MKI181V1 is an adapter board designed to facilitate the evaluation of MEMS devices in the LIS2MDL product family. The board offers an effective solution for fast system prototyping and device evaluation directly within the user's own application.

The STEVAL-MKI181V1 can be plugged into a standard DIL24 socket. The adapter provides the complete LIS2MDL pinout and comes ready to use with the required decoupling capacitors on the V_{DD} power supply line.

This adapter is supported by the STEVAL-MKI109V2 and STEVAL-MKI109V3 motherboards which include a high performance 32-bit microcontroller functioning as a bridge between the sensor and a PC, on which it is possible to use the downloadable graphical user interface (Unico GUI) or dedicated software routines for customized applications.

Schematic diagram

Figure 1: STEVAL-MKI181V1 circuit schematic



Revision history

Table 1: Document revision history

Date	Version	Changes
31-Aug-2017	1	Initial release.