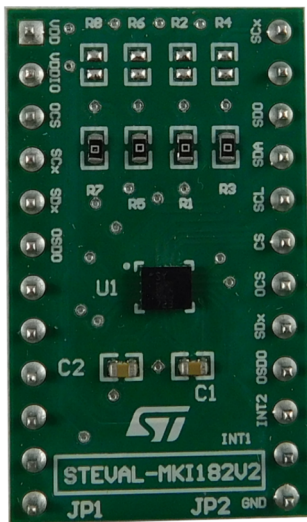


ISM330DLC adapter board for a standard DIL24 socket



Features

- Complete ISM330DLC pinout for a standard DIL 24 socket
- Fully compatible with STEVAL-MKI109V3 motherboard
- Changing the resistor settings is also compatible with the STEVAL-MKI109V2 motherboard
- RoHS compliant

Description

The STEVAL-MKI182V2 is an adapter board designed to facilitate the evaluation of MEMS devices in the [ISM330DLC](#) product family. The board offers an effective solution for fast system prototyping and device evaluation directly within the user's own application.

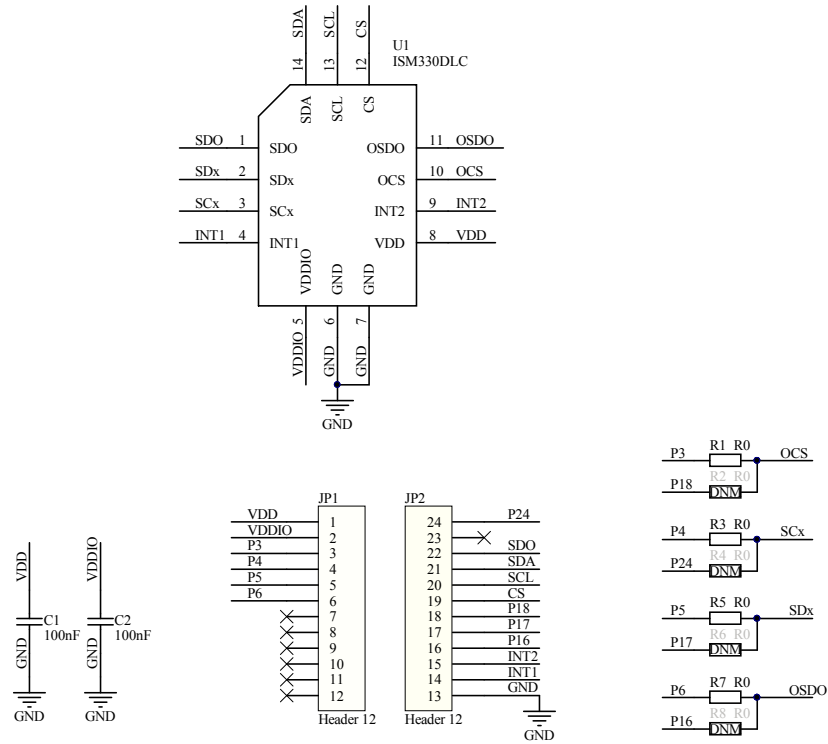
The STEVAL-MKI182V2 can be plugged into a standard DIL 24 socket. The adapter provides the complete ISM330DLC pin-out and comes ready-to-use with the required decoupling capacitors on the VDD power supply line.

This adapter is supported by the [STEVAL-MKI109V2](#) and [STEVAL-MKI109V3](#) motherboards, which include a high performance 32-bit microcontroller functioning as a bridge between the sensor and a PC, on which it is possible to use the downloadable graphical user interface (Unico GUI), or dedicated software routines for customized applications.

Product summary

ISM330DLC adapter board for a standard DIL24 socket	STEVAL-MKI182V2
iNEMO inertial module, 3-axis accelerometer, 3-axis gyroscope for Industry 4.0 applications	ISM330DLC
ST MEMS adapters motherboard based on STM32F103, compatible with all ST MEMS adapter boards	STEVAL-MKI109V2
ST MEMS adapter motherboard based on the STM32F401VET6 compatible with ST MEMS adapters	STEVAL-MKI109V3

1 Schematic diagrams

Figure 1. STEVAL-MKI182V2 circuits


Revision history

Table 1. Document revision history

Date	Version	Changes
08-May-2018	1	Initial release.