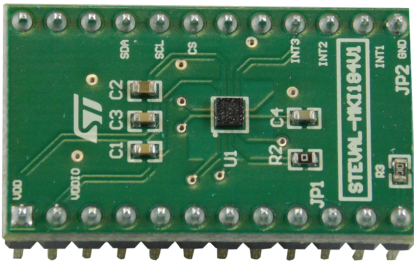


ISM303DAC adapter board for a standard DIL24 socket



Features

- Complete [ISM303DAC](#) pinout for a standard DIL24 socket
- Fully compatible with the [STEVAL-MKI109V3](#) motherboard
- RoHS compliant

Description

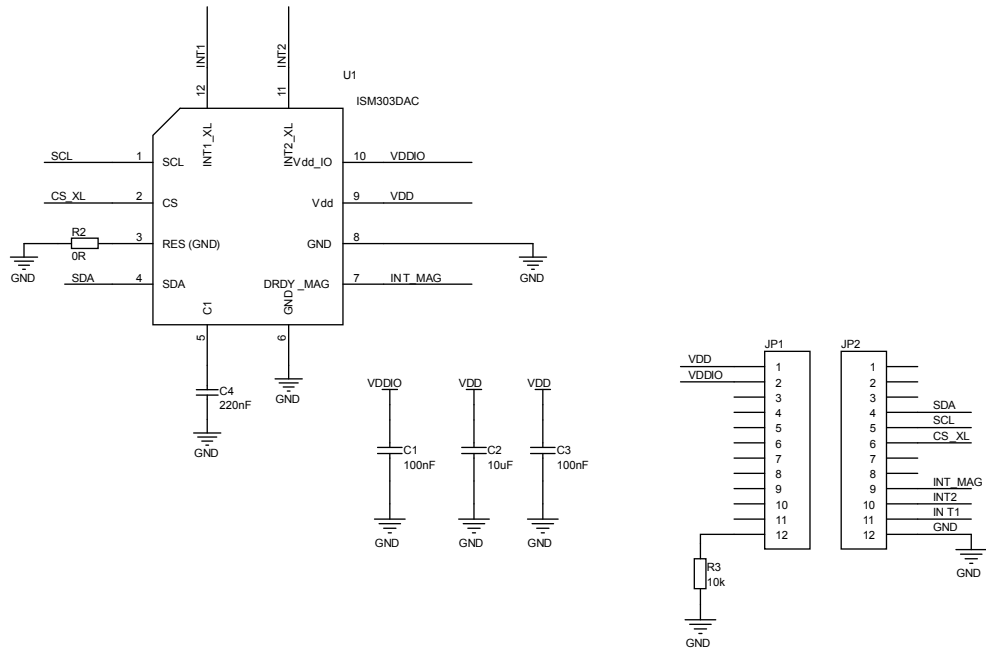
The [STEVAL-MKI184V1](#) adapter board is designed to facilitate the evaluation of MEMS devices in the [ISM303DAC](#) product family. The board offers an effective solution for fast system prototyping and device evaluation directly within the user's application.

The [STEVAL-MKI184V1](#) can be plugged into a standard DIL24 socket. The adapter provides the complete [ISM303DAC](#) pinout and comes ready-to-use with the required decoupling capacitors on the VDD power supply line.

This adapter is supported by the [STEVAL-MKI109V3](#) motherboard, which includes a high performance 32-bit microcontroller functioning as a bridge between the sensor and a PC, on which it is possible to use the downloadable graphical user interface (Unico GUI), or dedicated software routines for customized applications.

Summary table	
STEVAL-MKI184V1 adapter board	STEVAL-MKI184V1
ISM303DAC 3D Accelerometer and 3D Magnetometer module	ISM303DAC
Unico GUI	Windows Linux Mac OS X
STEVAL-MKI109V3 motherboard	STEVAL-MKI109V3

1 Schematic diagrams

Figure 1. STEVAL-MKI184V1 circuit schematic


Revision history

Table 1. Document revision history

Date	Version	Changes
21-Dec-2017	1	Initial release.
05-Jan-2018	2	Updated cover page Summary table Corrected GUI reference name (was Unicleo-GUI) Added eCompass logo