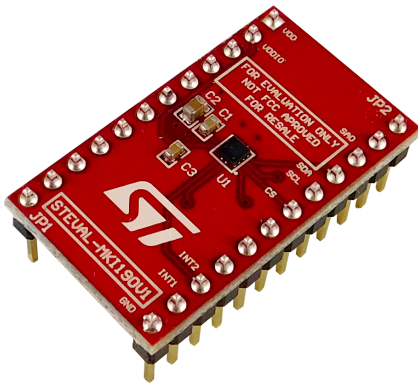


## LIS2DTW12 adapter board for a standard DIL 24 socket



### Features

- Complete LISDTW12 pinout for a standard DIL 24 socket
- Fully compatible with [STEVAL-MKI109V3](#) motherboards
- RoHS compliant

### Description

The [STEVAL-MKI190V1](#) is an adapter board designed to facilitate the evaluation of MEMS devices in the LISDTW12 product family. The board offers an effective solution for fast system prototyping and device evaluation directly within the user's own application.

The [STEVAL-MKI190V1](#) can be plugged into a standard DIL 24 socket. The adapter provides the complete LISDTW12 pin-out and comes ready-to-use with the required decoupling capacitors on the VDD power supply line.

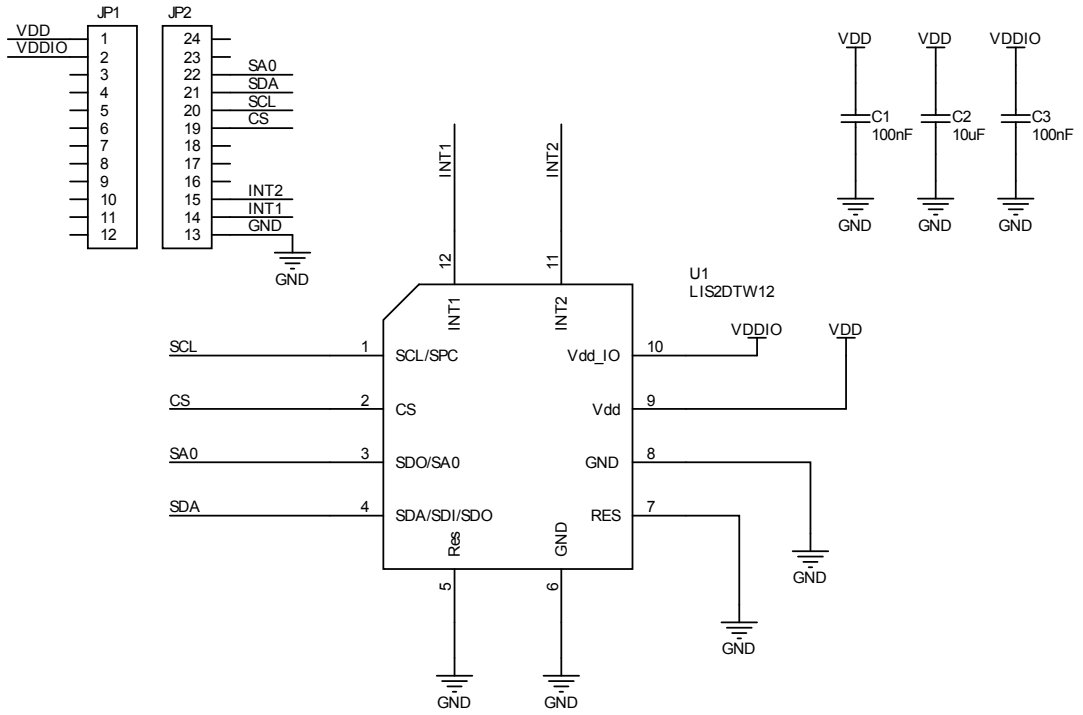
This adapter is supported by the [STEVAL-MKI109V3](#) motherboard which includes a high performance 32-bit microcontroller functioning as a bridge between the sensor and a PC, on which it is possible to use the downloadable graphical user interface (Unico GUI), or dedicated software routines for customized applications.

#### Product summary

adapter board for a standard DIL 24 socket	<a href="#">STEVAL-MKI190V1</a>
MEMS digital output dual motion and temperature sensor	<a href="#">LIS2DTW12</a>
ST MEMS adapter motherboard based on the STM32F401VET6 compatible with ST MEMS adapters	<a href="#">STEVAL-MKI109V3</a>

# 1 Schematic diagram

Figure 1. STEVAL-MKI90V1 circuit schematic



## Revision history

**Table 1. Document revision history**

Date	Version	Changes
22-Feb-2019	1	Initial release.